



US00D758807S

(12) **United States Design Patent**
Hepburn

(10) **Patent No.:** **US D758,807 S**
(45) **Date of Patent:** **** Jun. 14, 2016**

- (54) **EATING UTENSIL STAND**
- (71) Applicant: **Joel D. Hepburn**, Monterey, TN (US)
- (72) Inventor: **Joel D. Hepburn**, Monterey, TN (US)
- (**) Term: **14 Years**
- (21) Appl. No.: **29/512,742**
- (22) Filed: **Dec. 22, 2014**
- (51) **LOC (10) Cl.** **07-99**
- (52) **U.S. Cl.**
USPC **D7/637**
- (58) **Field of Classification Search**
USPC D7/601-603, 612, 615, 629, 630, 631,
D7/637-641; D19/65, 75, 81-85; 76/82,
76/84, 86; 211/13.1, 60.1, 70, 70.6, 70.7;
248/37.3, 37.6; 451/552
CPC A47G 21/00; A47G 21/14; A47F 5/16;
A47F 7/00; A47F 7/0028; A47F 7/283;
B26B 3/00; B26B 27/00
See application file for complete search history.

(56) **References Cited**

U.S. PATENT DOCUMENTS

- 1,182,732 A 5/1916 Avery
- 1,715,048 A 5/1929 Townsend
- 2,374,442 A 4/1945 Lulham
- 2,664,005 A 12/1953 Kosinski
- 3,013,668 A * 12/1961 Mennen A47F 5/112
211/195
- 3,685,660 A 8/1972 Saunders
- D244,340 S 5/1977 Ashton
- 4,181,220 A * 1/1980 Zicko B65D 5/5035
206/315.2
- D292,861 S 11/1987 Dorper
- 4,834,328 A 5/1989 Hall
- 4,858,863 A 8/1989 Lin
- D309,840 S * 8/1990 Estvold D6/534
- 4,995,515 A 2/1991 Smith
- D320,332 S 10/1991 Fetty
- 5,297,677 A 3/1994 Burian et al.
- D361,019 S * 8/1995 Voglis D7/633

- D366,814 S * 2/1996 Stroecker D7/641
- D398,429 S * 9/1998 LeBlanc D34/6
- D408,229 S 4/1999 Hong
- 5,938,068 A 8/1999 Atkins et al.
- 6,273,278 B1 * 8/2001 Enyedy A47F 7/0028
211/73
- 6,604,714 B1 8/2003 Hall
- D504,587 S 5/2005 Root
- 6,994,304 B2 2/2006 Kim et al.
- 7,228,976 B2 6/2007 Pretorius
- 7,266,865 B1 9/2007 Rodin
- D553,915 S 10/2007 Lerner
- 7,387,202 B2 6/2008 Beaty
- D579,278 S 10/2008 Umnitz
- 7,752,083 B2 7/2010 Johnson et al.
- 7,756,758 B2 7/2010 Johnson et al.
- 7,909,181 B2 3/2011 Purushothaman
- 7,975,328 B2 7/2011 Lock et al.
- 8,176,855 B1 5/2012 Cannon et al.

(Continued)

OTHER PUBLICATIONS

www.hsn.com/products (1 page) published approximately Jan. 1, 2014.

Primary Examiner — Derrick Holland

Assistant Examiner — Janice Lim

(74) *Attorney, Agent, or Firm* — Peter L. Brewer; Baker Donelson IP

(57) **CLAIM**

The ornamental design for an eating utensil stand, as shown and described.

DESCRIPTION

FIG. 1 is a perspective view of an eating utensil stand, showing my new design.

FIG. 2 is a front elevation view thereof.

FIG. 3 is a back elevation view thereof.

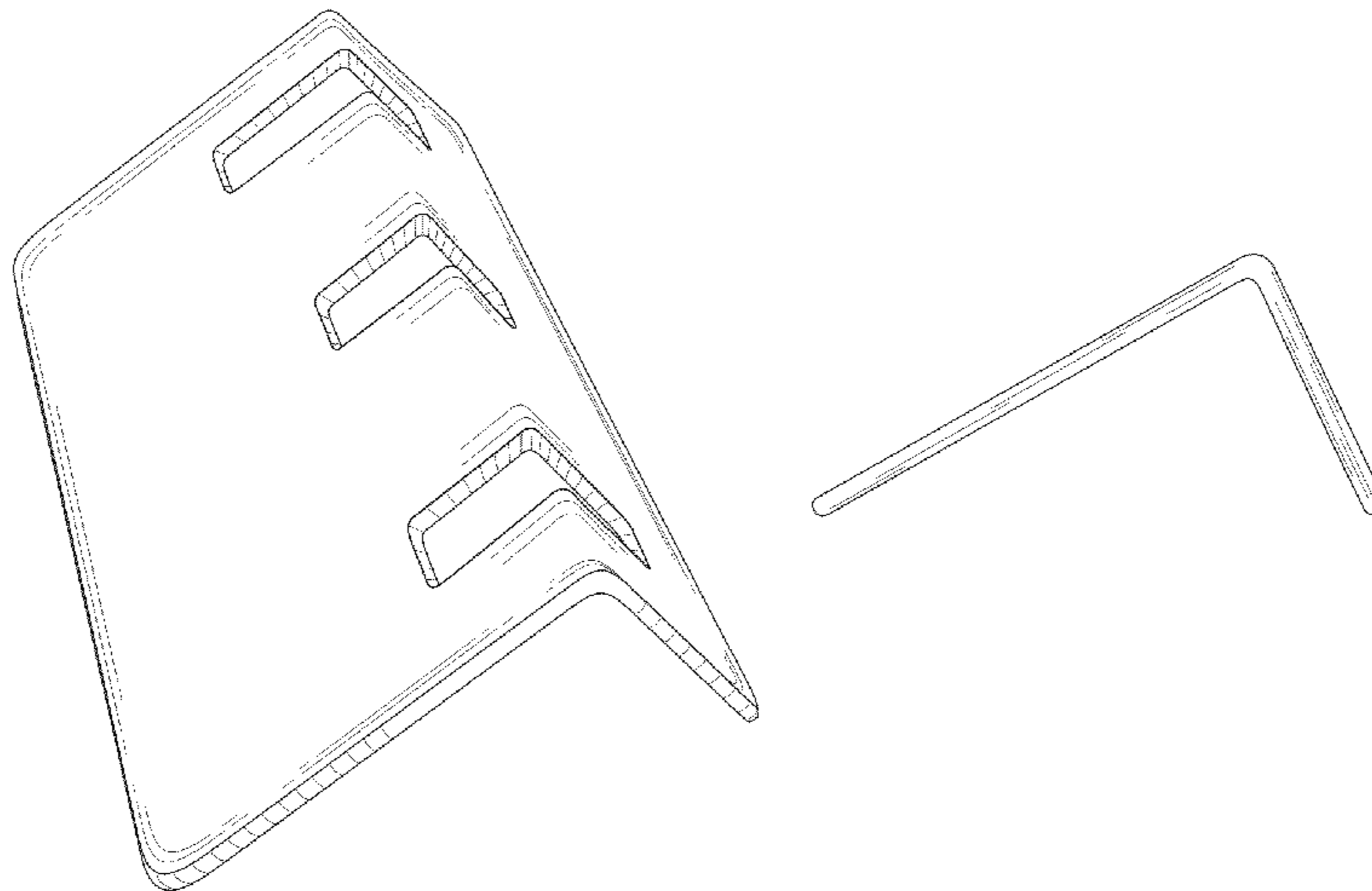
FIG. 4 is a right side elevation view thereof.

FIG. 5 is a left side elevation view thereof.

FIG. 6 is a top plan view thereof; and,

FIG. 7 is a bottom plan view thereof.

1 Claim, 4 Drawing Sheets



US D758,807 S

Page 2

(56)

References Cited

U.S. PATENT DOCUMENTS

8,210,364 B2	7/2012	Smith et al.	D689,743 S *	9/2013	Tarantino	D7/637
D675,065 S *	1/2013	Tarantino	8,733,708 B2	5/2014	Tarantino et al.		
8,377,227 B2	2/2013	Bengston et al.	2011/0114533 A1	5/2011	Le		

* cited by examiner

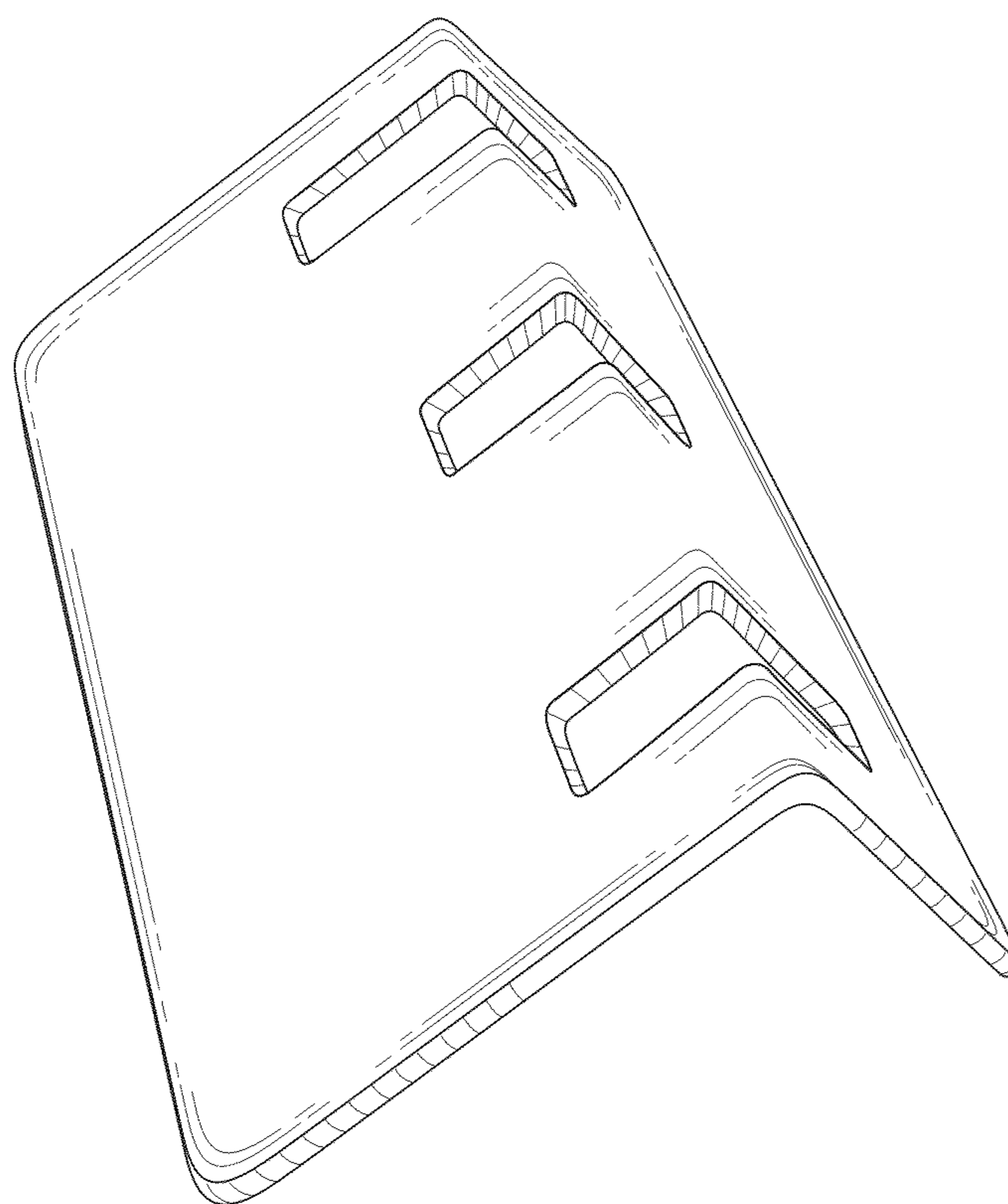


FIG. 1

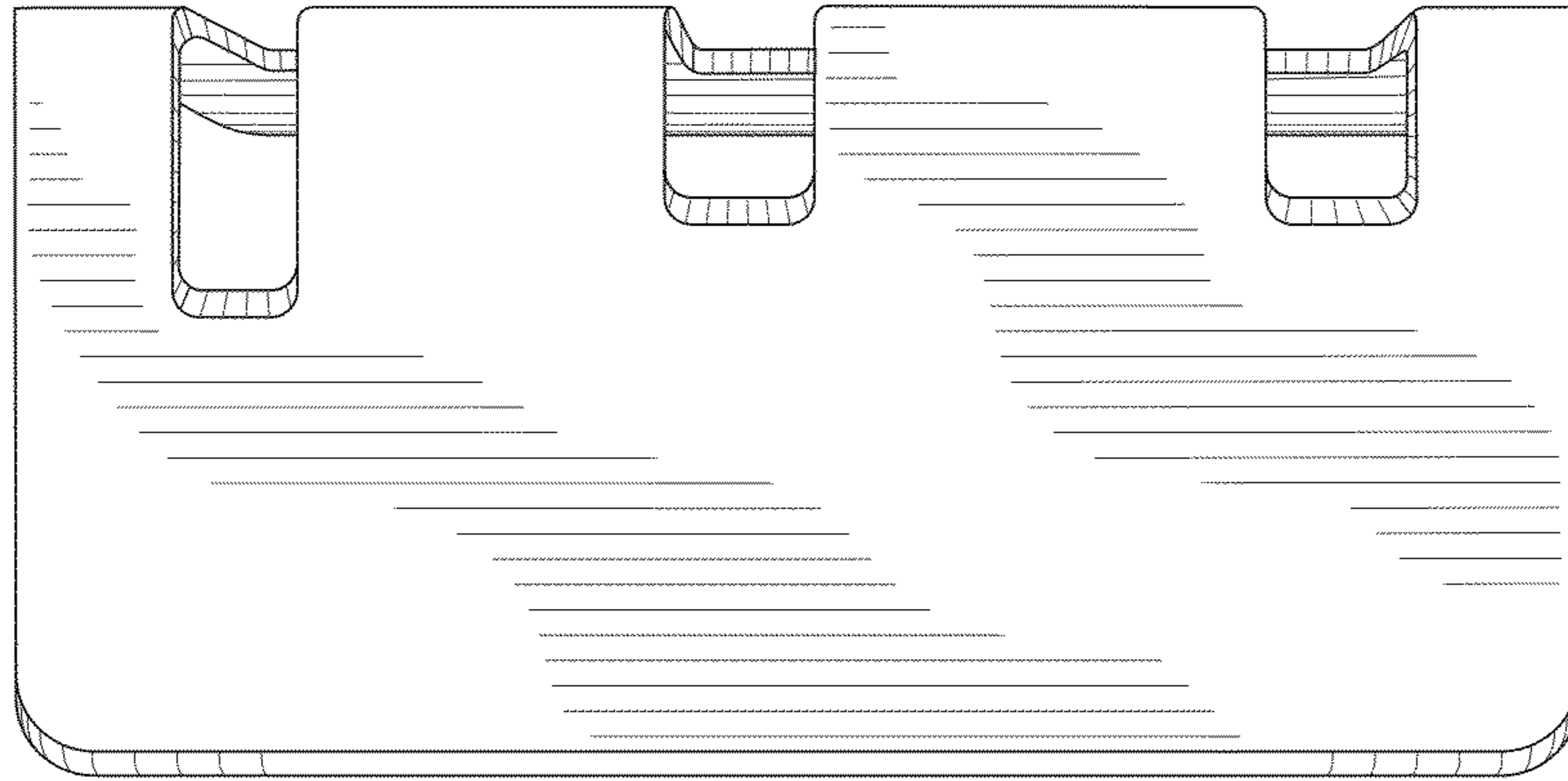


FIG. 2

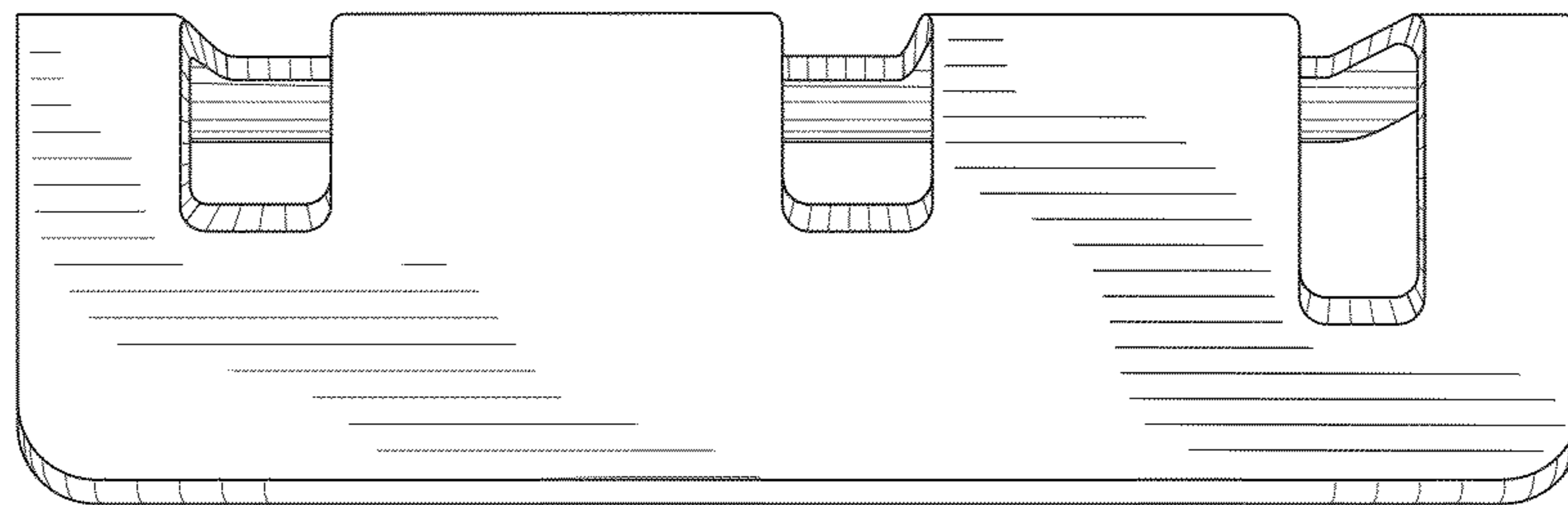


FIG. 3

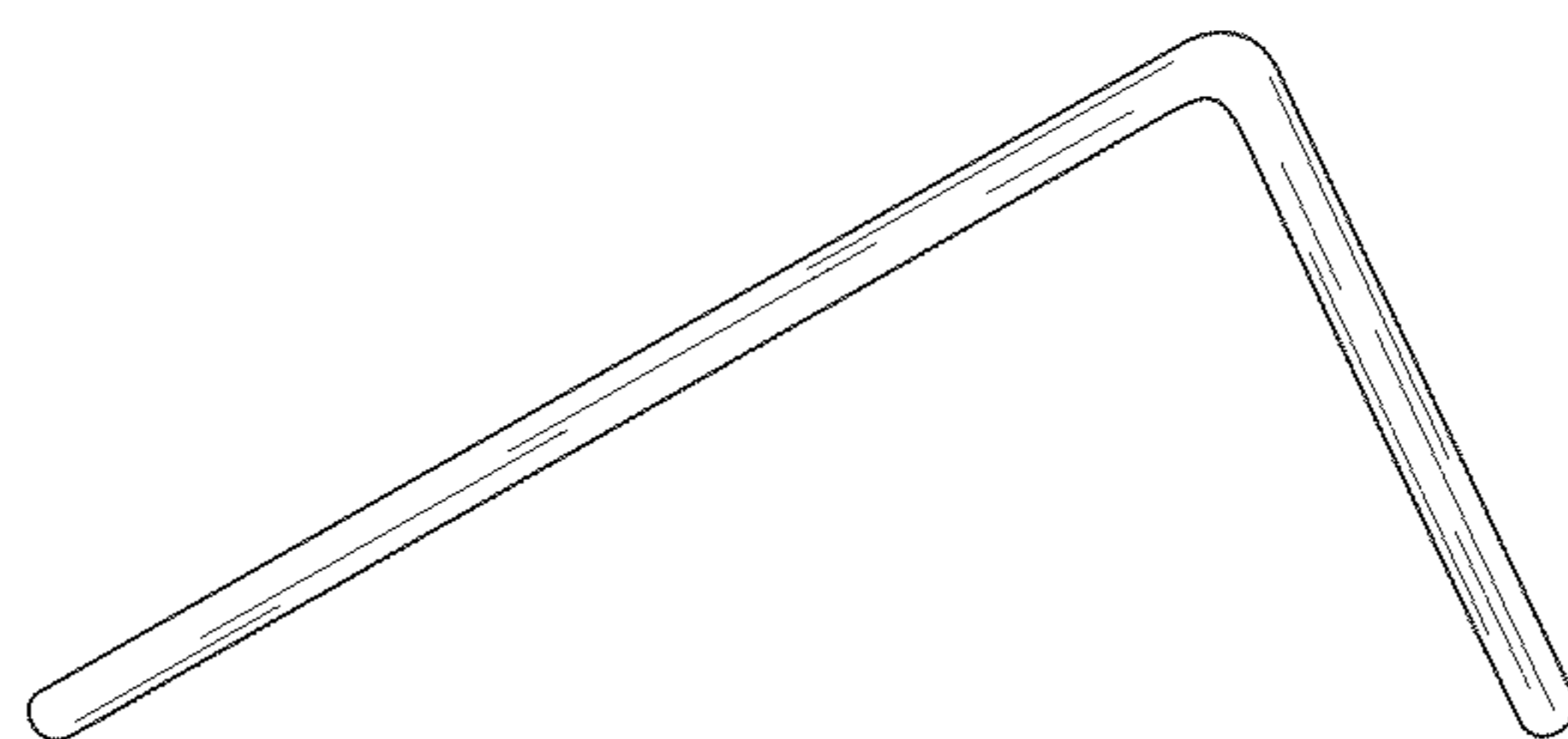


FIG. 4

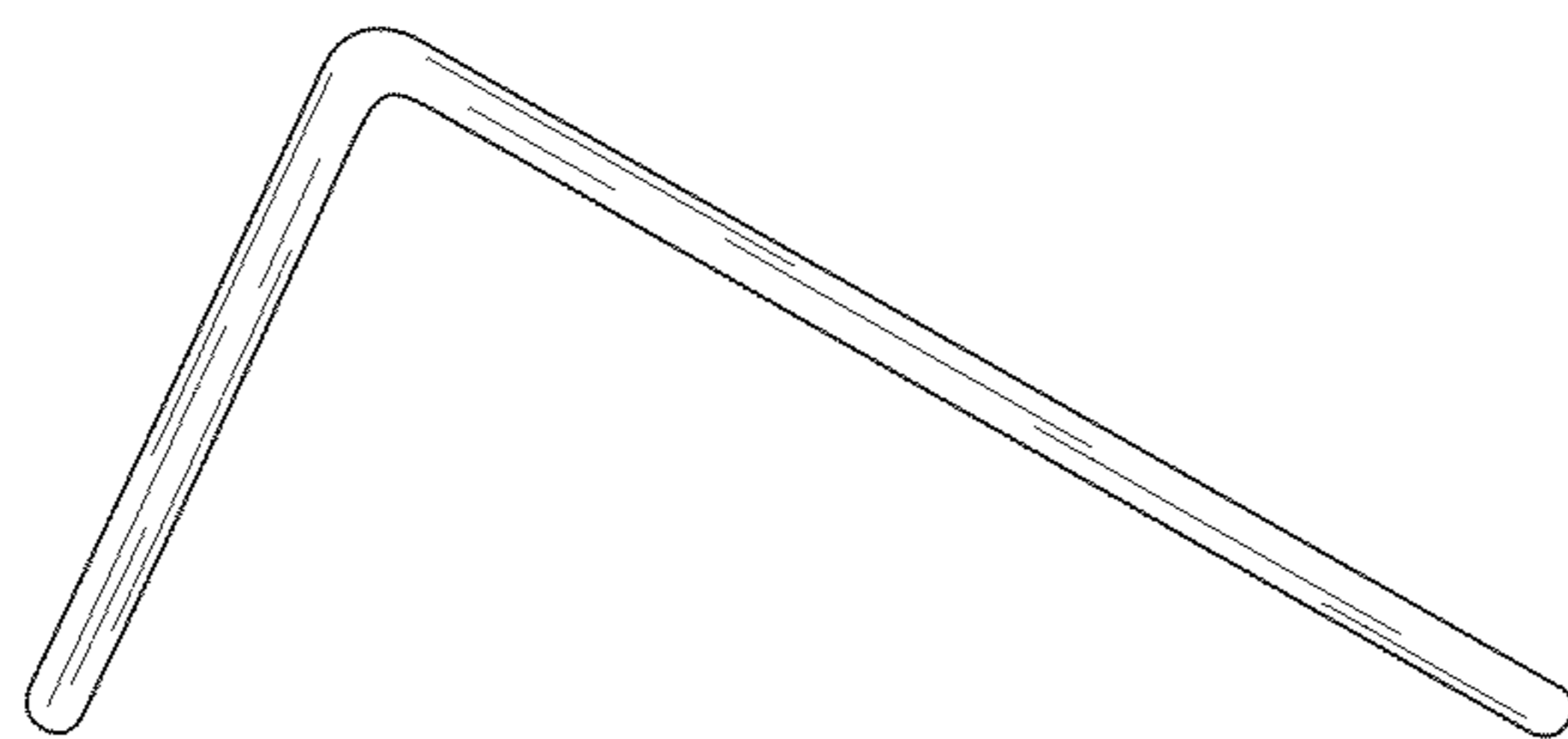


FIG. 5

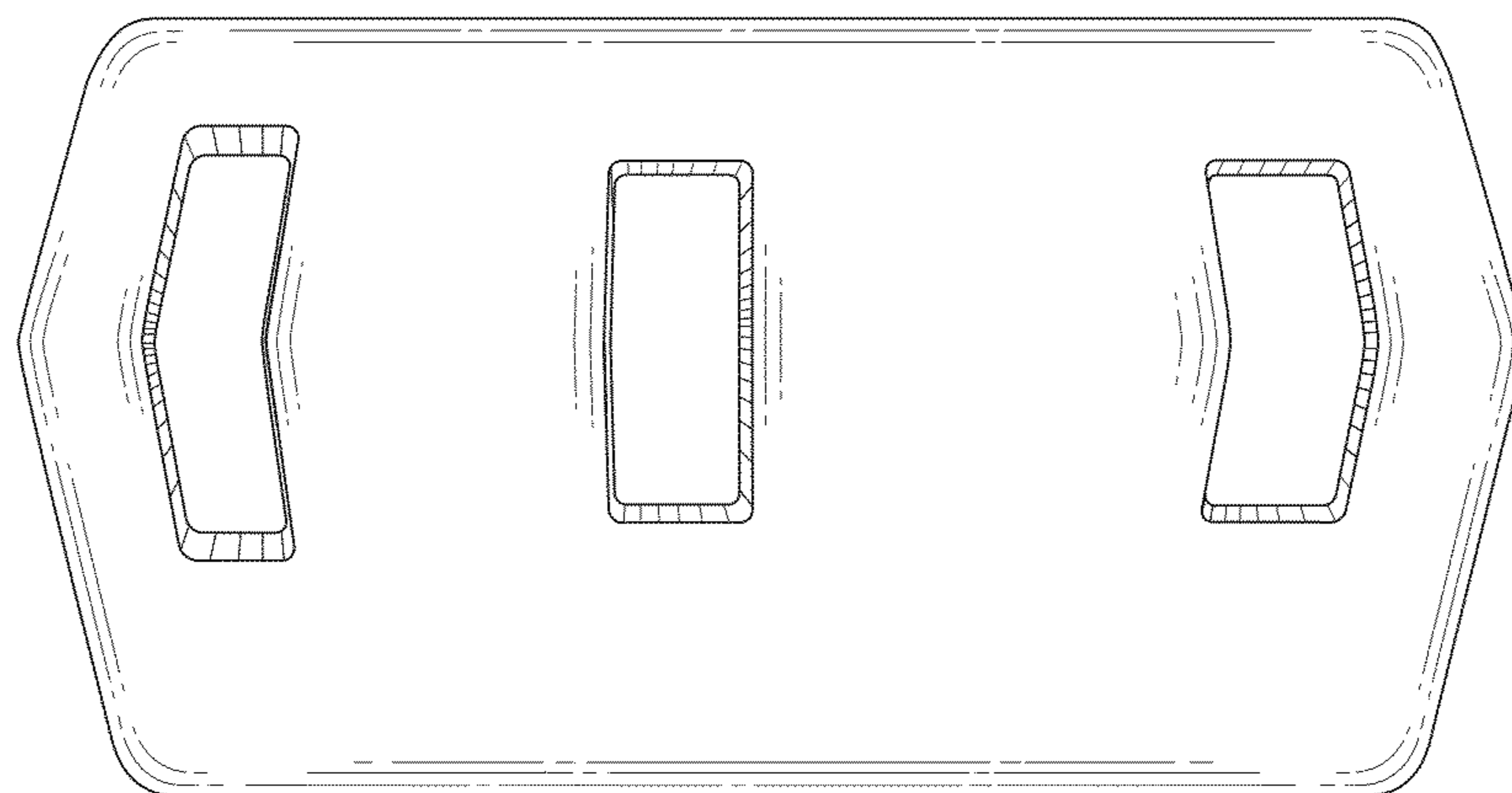


FIG. 6

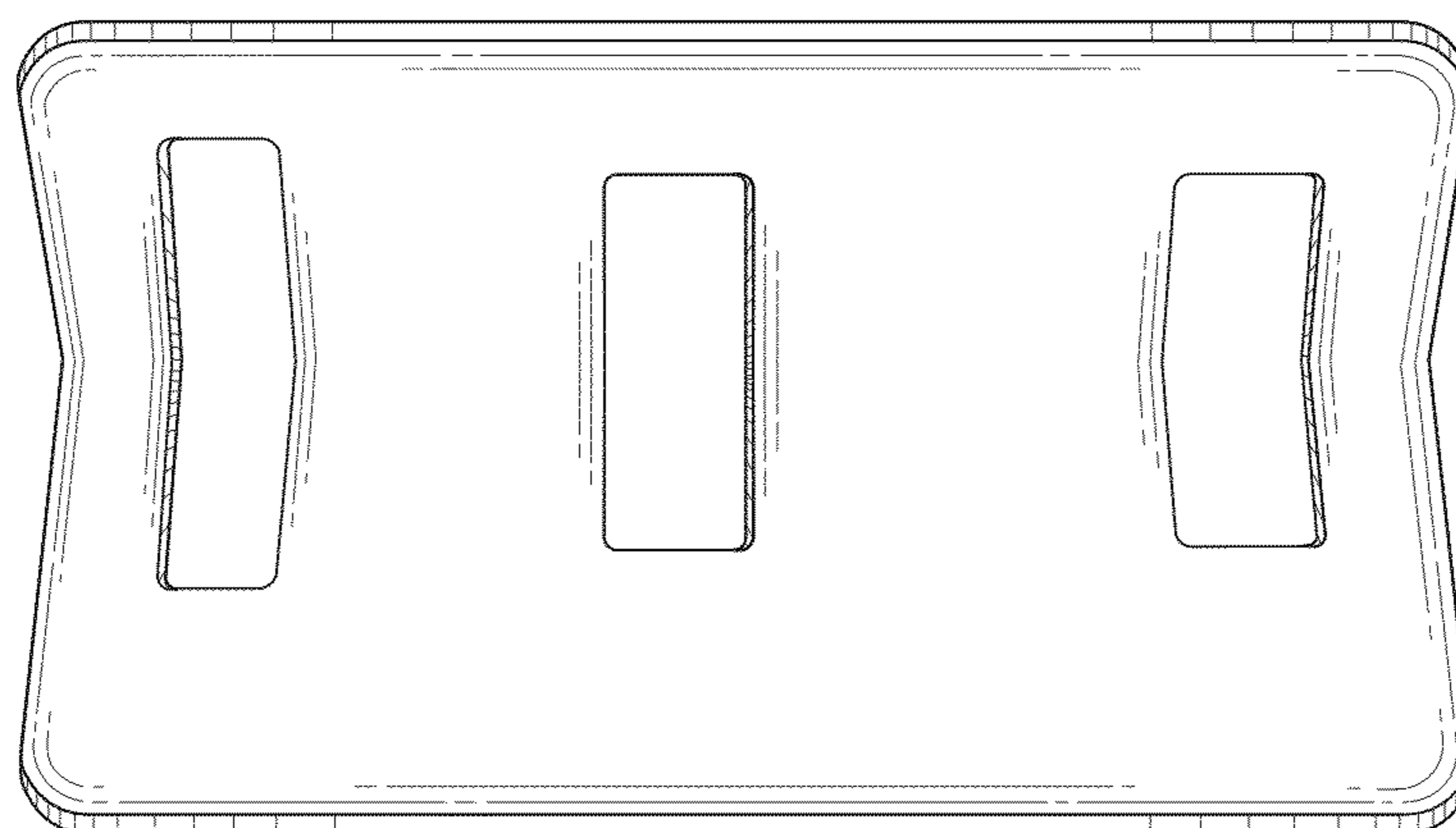


FIG. 7