



US00D758806S

(12) **United States Design Patent**
Morales

(10) **Patent No.:** **US D758,806 S**
(45) **Date of Patent:** **** Jun. 14, 2016**

- (54) **CONTAINER**
- (71) Applicant: **POLIMES S.A.**, Bogota (CO)
- (72) Inventor: **Hernando Morales**, Bogota (CO)
- (73) Assignee: **POLIMES S.A.**, Bogota (CO)
- (**) Term: **14 Years**
- (21) Appl. No.: **29/520,654**
- (22) Filed: **Mar. 17, 2015**
- (51) **LOC (10) Cl.** **07-07**
- (52) **U.S. Cl.**
USPC **D7/629; D7/709; D3/276**
- (58) **Field of Classification Search**
USPC D3/273, 274, 275, 276, 281, 282, 284,
D3/292, 295, 296, 302, 905, 901, 903;
D7/601, 602, 603, 604, 605, 709, 629
CPC A45C 5/04; A45C 11/16; A45C 11/20
See application file for complete search history.

- D527,522 S * 9/2006 Kammerer D3/291
- D577,928 S * 10/2008 Wong D3/295
- D603,664 S * 11/2009 Roefs D7/605
- D658,376 S * 5/2012 Ahlstrom D3/294
- D692,281 S * 10/2013 George D7/629
- D708,913 S * 7/2014 Ng D7/629
- D725,972 S * 4/2015 Hong D7/629
- D733,429 S * 7/2015 Grenier D3/294
- D734,945 S * 7/2015 Morrison D3/282
- D745,335 S * 12/2015 Kyle D7/629

OTHER PUBLICATIONS

Polimas Products, "Rectangular N° 2 ToGo box", Accessed Apr. 5, 2016, (<http://www.polimes.com/rectangular-no-2-togo.html>).*

* cited by examiner

Primary Examiner — Jennifer Rivard

Assistant Examiner — April Rivas

(74) *Attorney, Agent, or Firm* — Ladas & Parry LLP

(57) **CLAIM**

The ornamental design for a container, as shown and described.

DESCRIPTION

FIG. 1 is a front elevational view showing my new design; FIG. 2 is a rear elevational view thereof; FIG. 3 is a right side elevational view thereof; FIG. 4 is a left side elevational view thereof; FIG. 5 is a top plan view thereof; FIG. 6 is a bottom plan view thereof; and, FIG. 7 is a front perspective view thereof.

1 Claim, 7 Drawing Sheets

(56) **References Cited**
U.S. PATENT DOCUMENTS

- D353,048 S * 12/1994 VanSkiver D3/273
- D371,906 S * 7/1996 Peters D3/276
- D393,526 S * 4/1998 Robey D3/281
- D418,296 S * 1/2000 Kobayashi D3/276
- D452,374 S * 12/2001 Kim D3/302
- D489,530 S * 5/2004 Lindsay D3/273
- D521,812 S * 5/2006 Kim D7/629



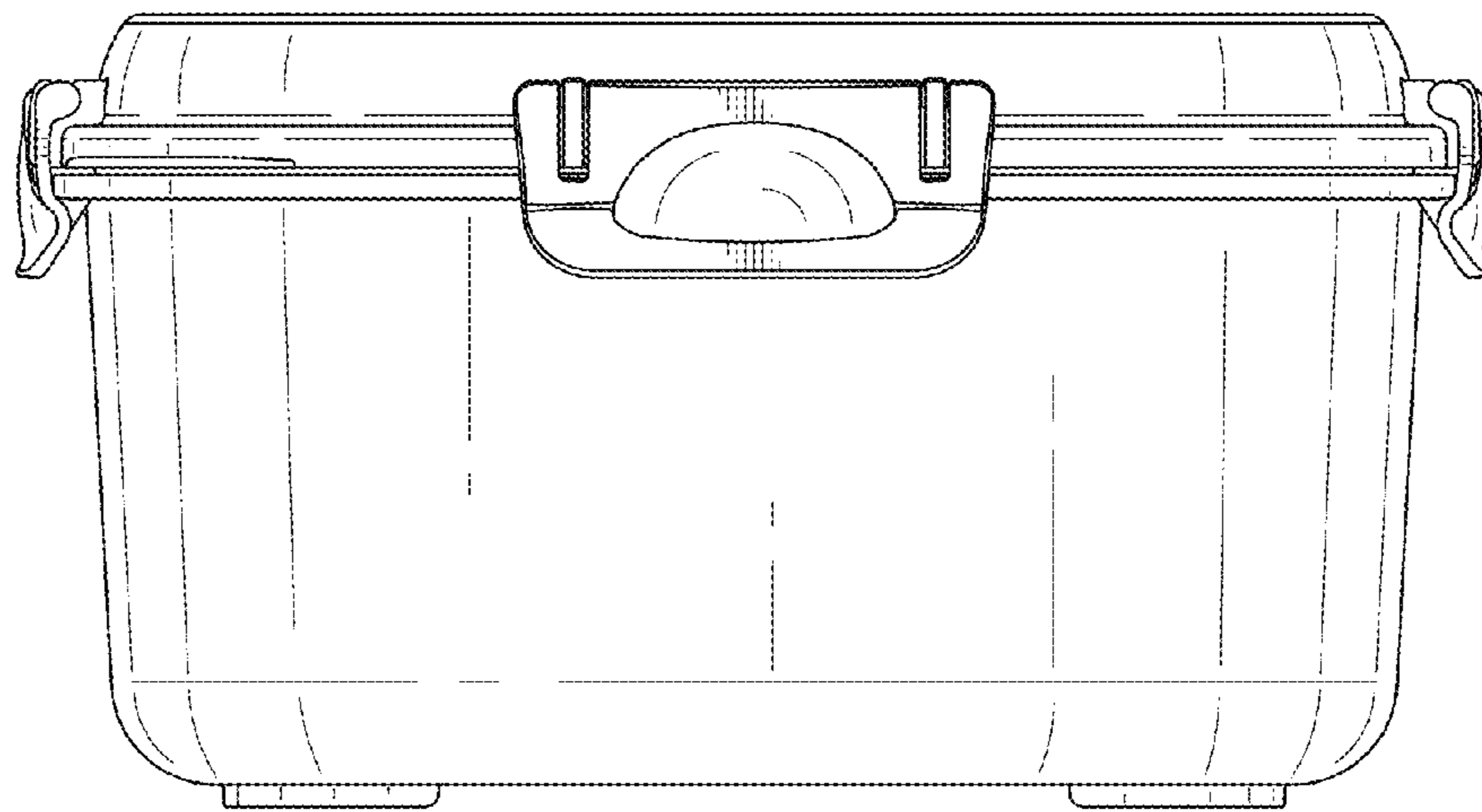


FIG. 1

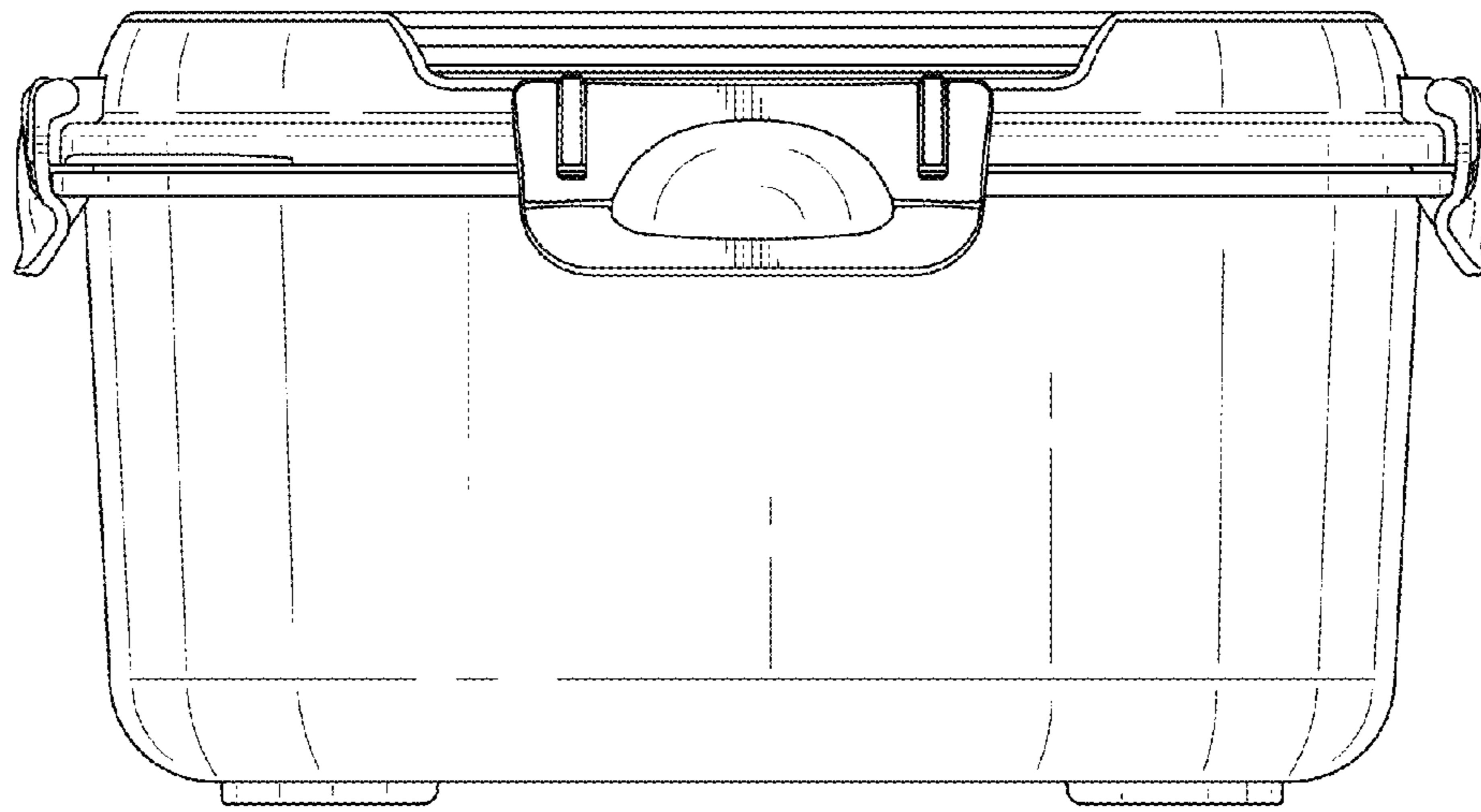


FIG. 2

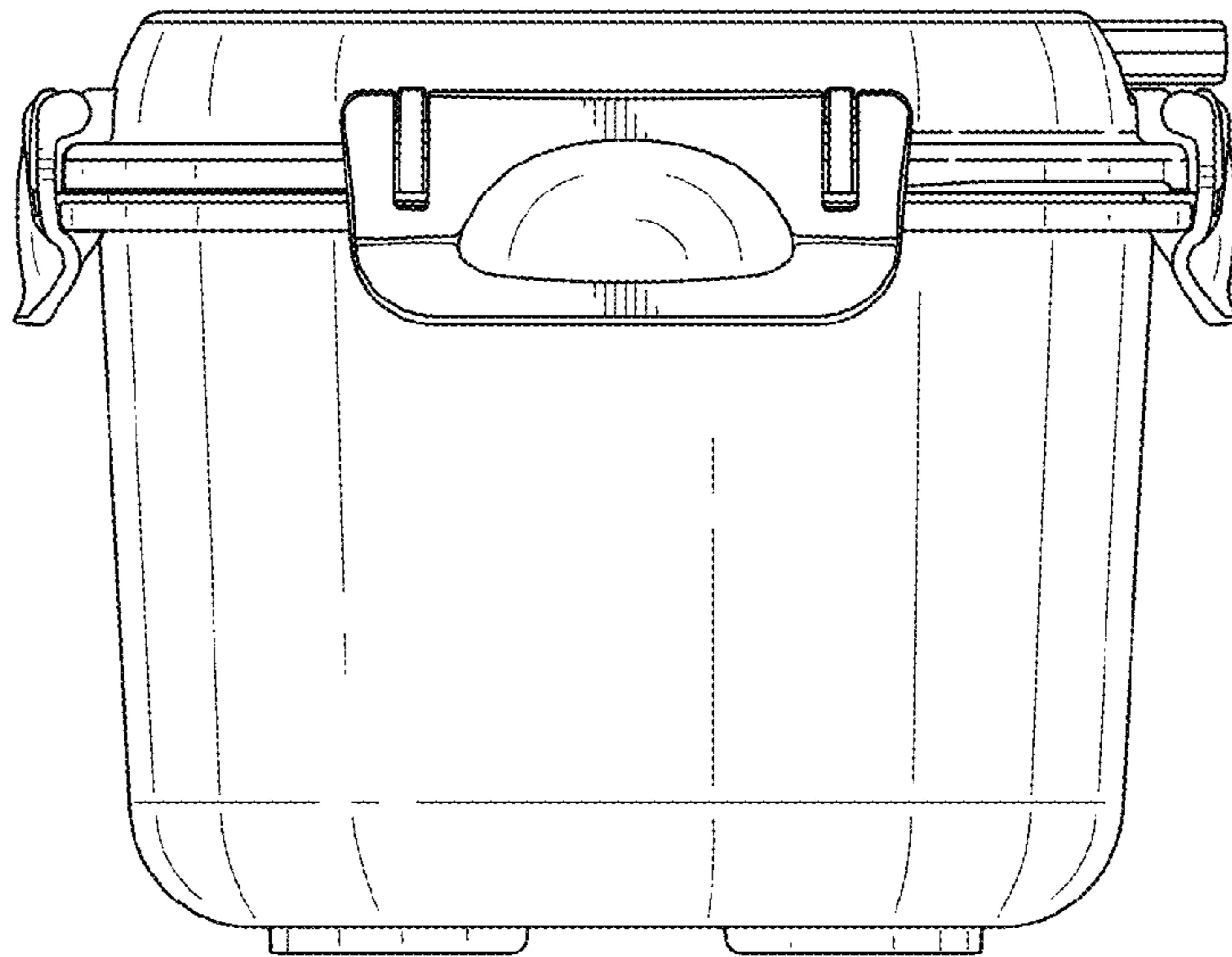


FIG. 3

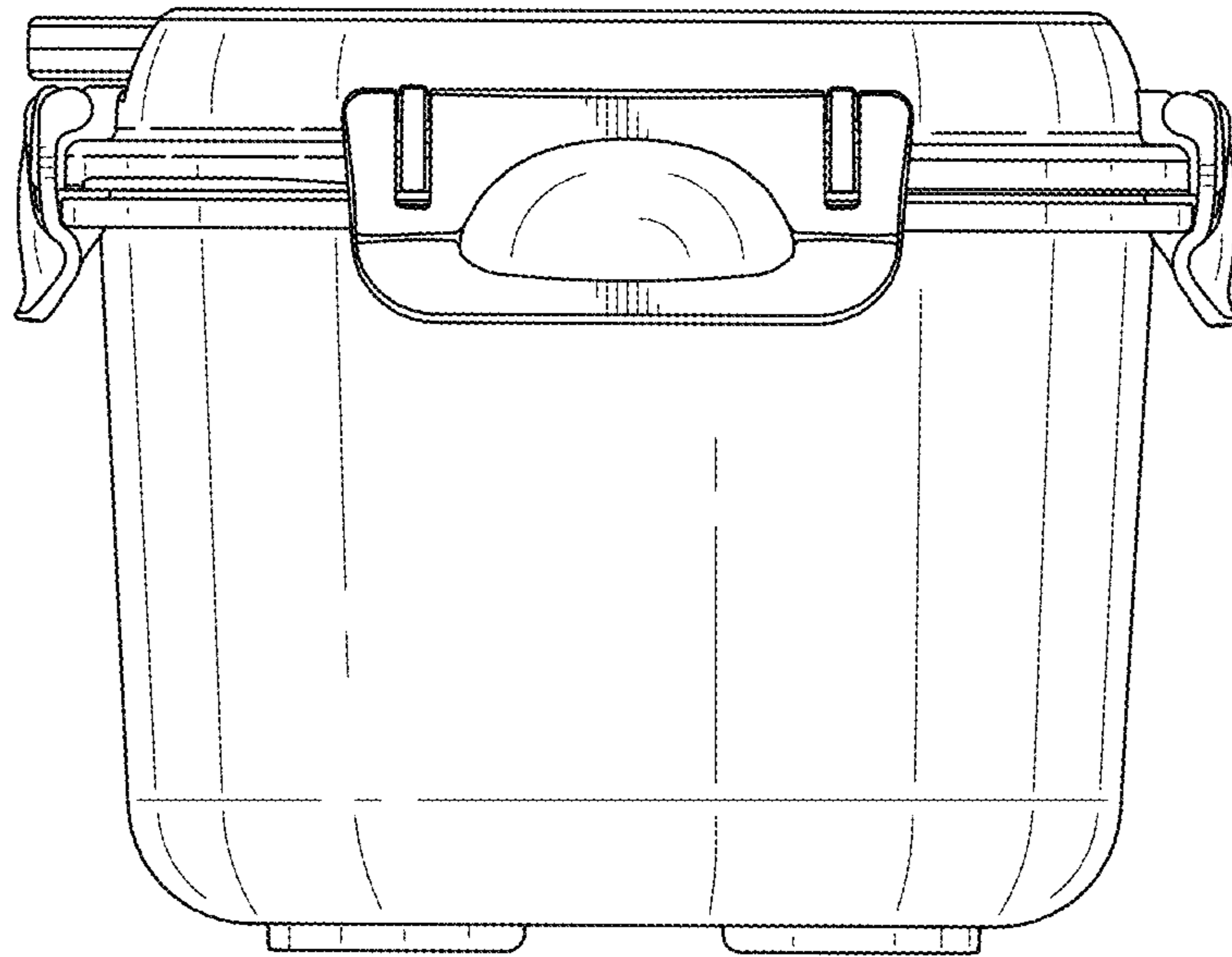


FIG. 4

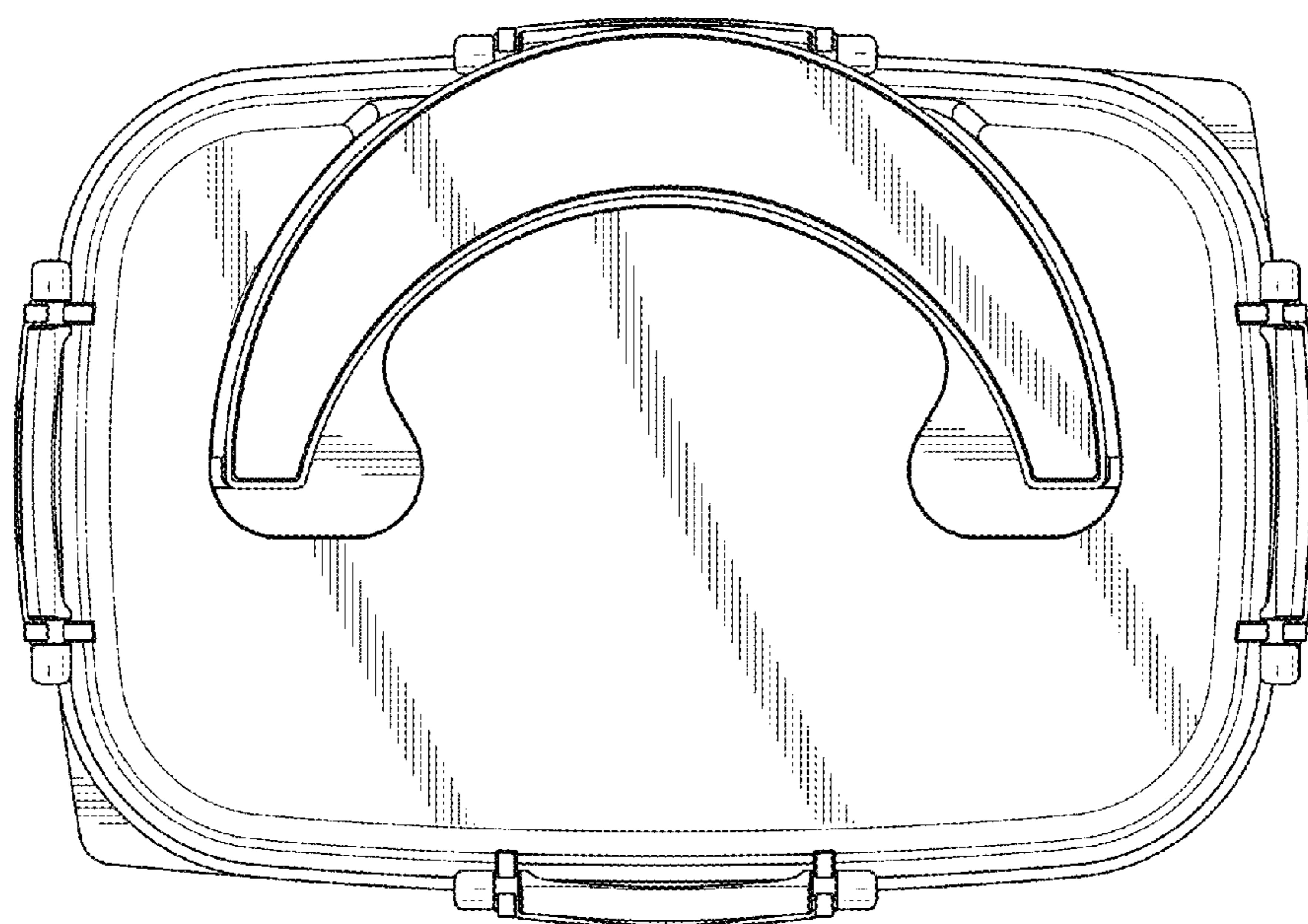


FIG. 5

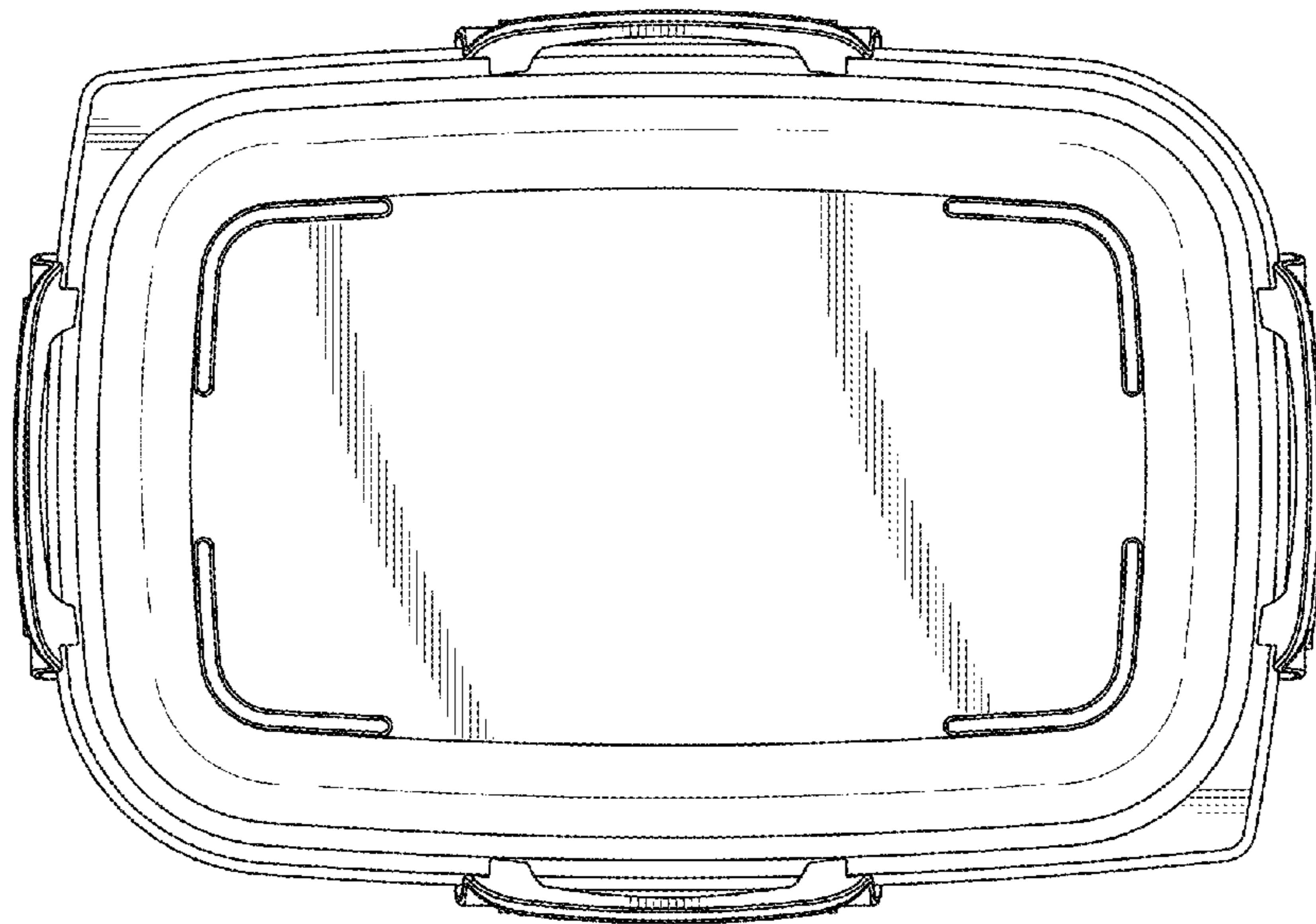


FIG. 6



FIG. 7