



US00D758798S

(12) **United States Design Patent**
Hunt et al.

(10) **Patent No.:** **US D758,798 S**
(45) **Date of Patent:** **** Jun. 14, 2016**

- (54) **TRAY FOR A VERTICAL GRILL**
- (71) Applicants: **Bonnie Lee Buzick**, Fresno, CA (US);
Robert James Bair, Fresno, CA (US)
- (72) Inventors: **Ronald Eugene Hunt**, Georgetown, TX (US); **Bonnie Lee Buzick**, Fresno, CA (US); **Robert James Bair**, Fresno, CA (US)
- (73) Assignees: **Bonnie Lee Buzick**, Fresno, CA (US);
Robert James Bair, Fresno, CA (US)
- (**) Term: **14 Years**
- (21) Appl. No.: **29/499,729**
- (22) Filed: **Aug. 18, 2014**
- (51) **LOC (10) Cl.** **07-02**
- (52) **U.S. Cl.**
USPC **D7/409; D7/352**
- (58) **Field of Classification Search**
USPC D7/323, 328–330, 337, 347, 352–364,
D7/367, 402, 409–411
CPC A21B 5/023; A47J 27/60; A47J 27/62;
A47J 37/04; A47J 37/06; A47J 37/067;
A47J 37/0605; A47J 37/0611; A47J 37/0623;
A47J 37/0629; A47J 37/0676; A47J 2037/06;
A47J 2037/0611; F24C 15/10; F24C 15/102;
H05B 6/02; H05B 6/062
See application file for complete search history.

- (56) **References Cited**
U.S. PATENT DOCUMENTS
D274,113 S * 6/1984 Steinkamp D7/352
D342,417 S * 12/1993 McClean D7/328

- D436,794 S * 1/2001 McClean D7/352
- D451,754 S * 12/2001 Cousins D7/352
- D452,109 S * 12/2001 Hensel D7/352
- D479,665 S * 9/2003 Barker D7/352
- D514,876 S * 2/2006 Simond D7/363
- D539,074 S * 3/2007 Lubowicki D7/352
- D564,826 S * 3/2008 Chin D7/352
- D632,127 S * 2/2011 Whitcombe D7/352
- D670,530 S * 11/2012 Huber D7/352
- D697,365 S * 1/2014 Kunz D7/352
- D715,085 S * 10/2014 Piret D7/352

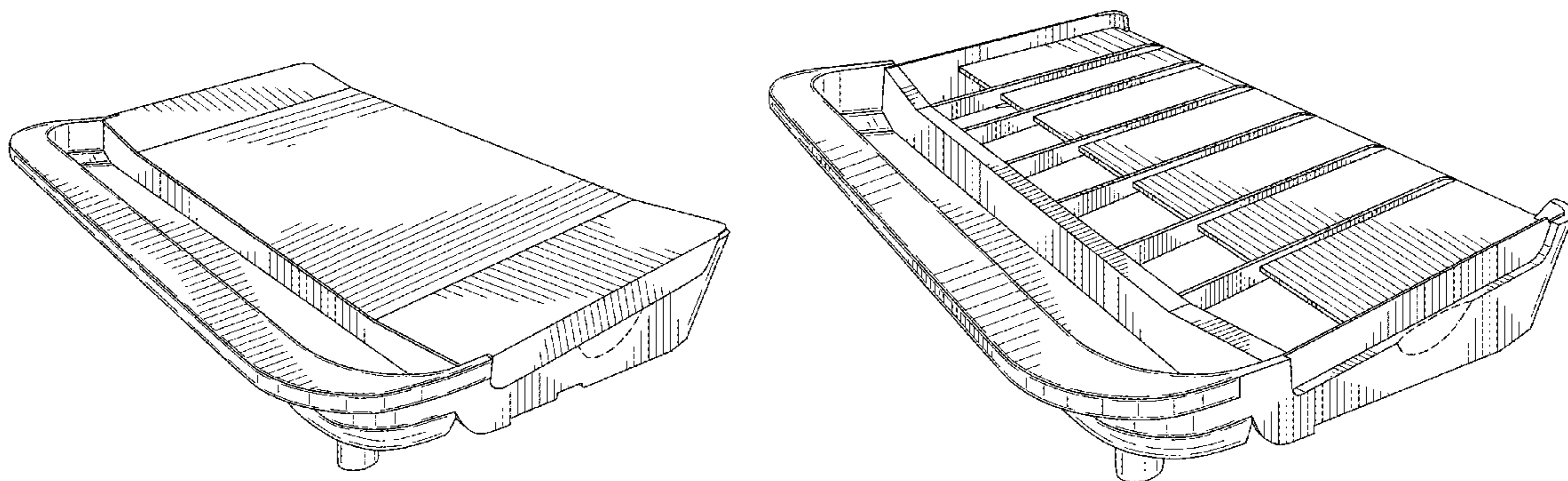
* cited by examiner
Primary Examiner — Ricky Pham
(74) *Attorney, Agent, or Firm* — Michael D. Eisenberg

(57) **CLAIM**
The ornamental design for a tray for a vertical grill, as shown and described.

DESCRIPTION

FIG. 1 is a perspective view of a tray for a vertical grill showing the new design;
FIG. 2 is a top view of the tray for a vertical grill;
FIG. 3 is a front side view of the tray for a vertical grill;
FIG. 4 is a right side view of the tray for a vertical grill;
FIG. 5 is a left side view of the tray for a vertical grill;
FIG. 6 is a rear view of the tray for a vertical grill;
FIG. 7 is a bottom view of the tray for a vertical grill;
FIG. 8 is a perspective view of the tray for a vertical grill with a slide removed; and,
FIG. 9 is a perspective view of the reverse side of the slide of the tray for a vertical grill, depicted in FIG. 1.
The broken lines shown are for illustrative purposes only and form no part of the claimed design.

1 Claim, 5 Drawing Sheets



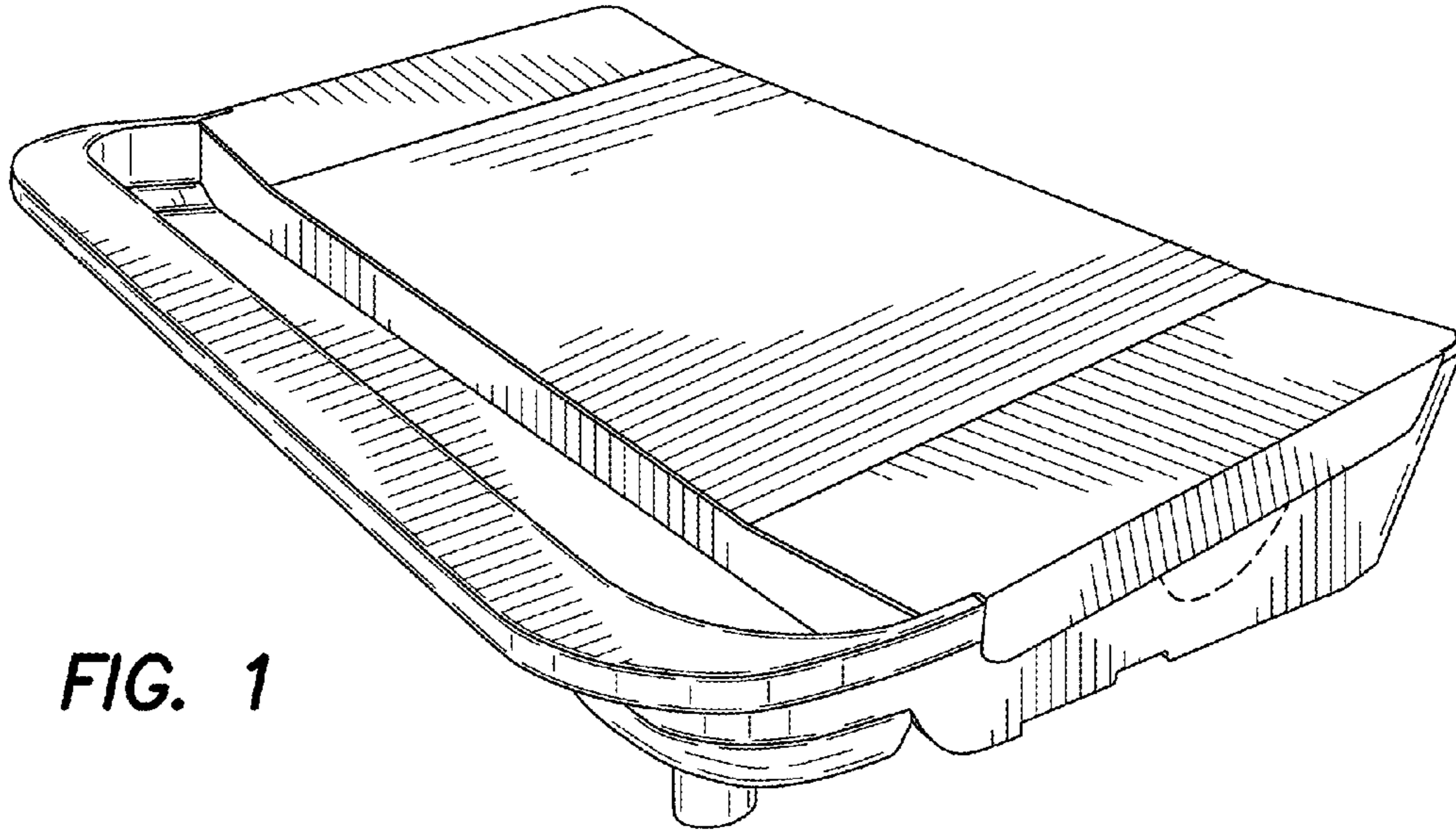


FIG. 1

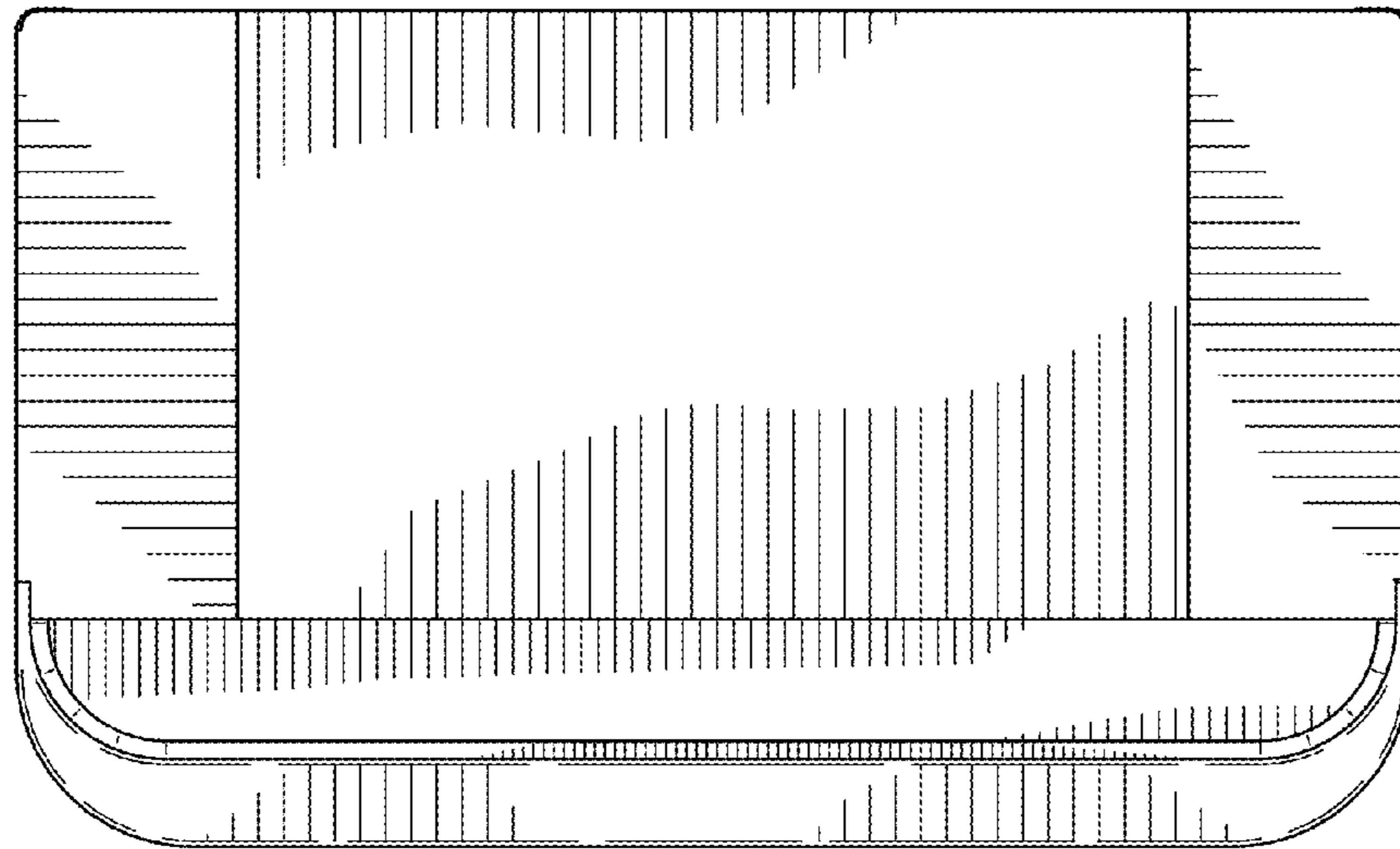


FIG. 2

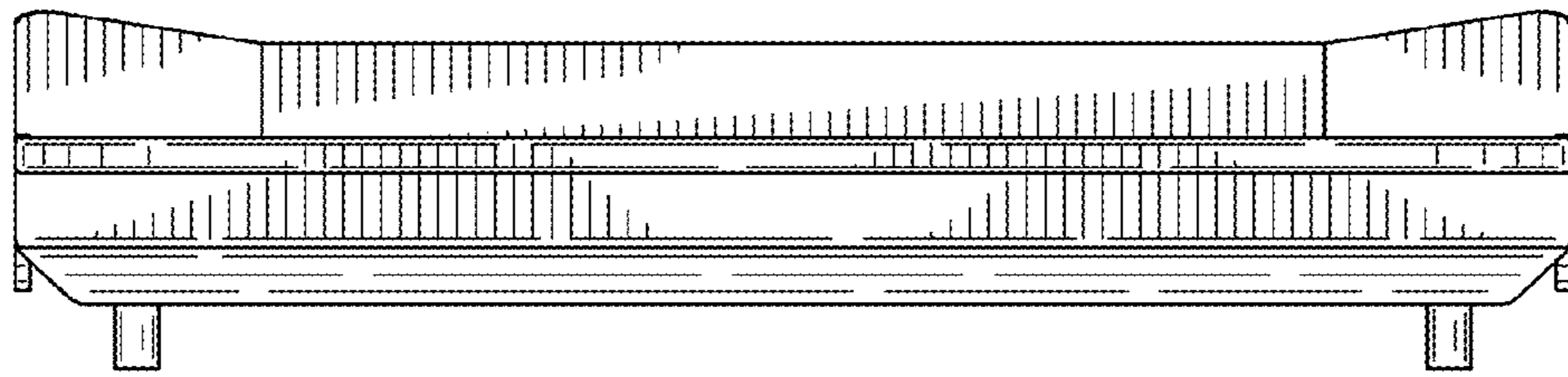


FIG. 3

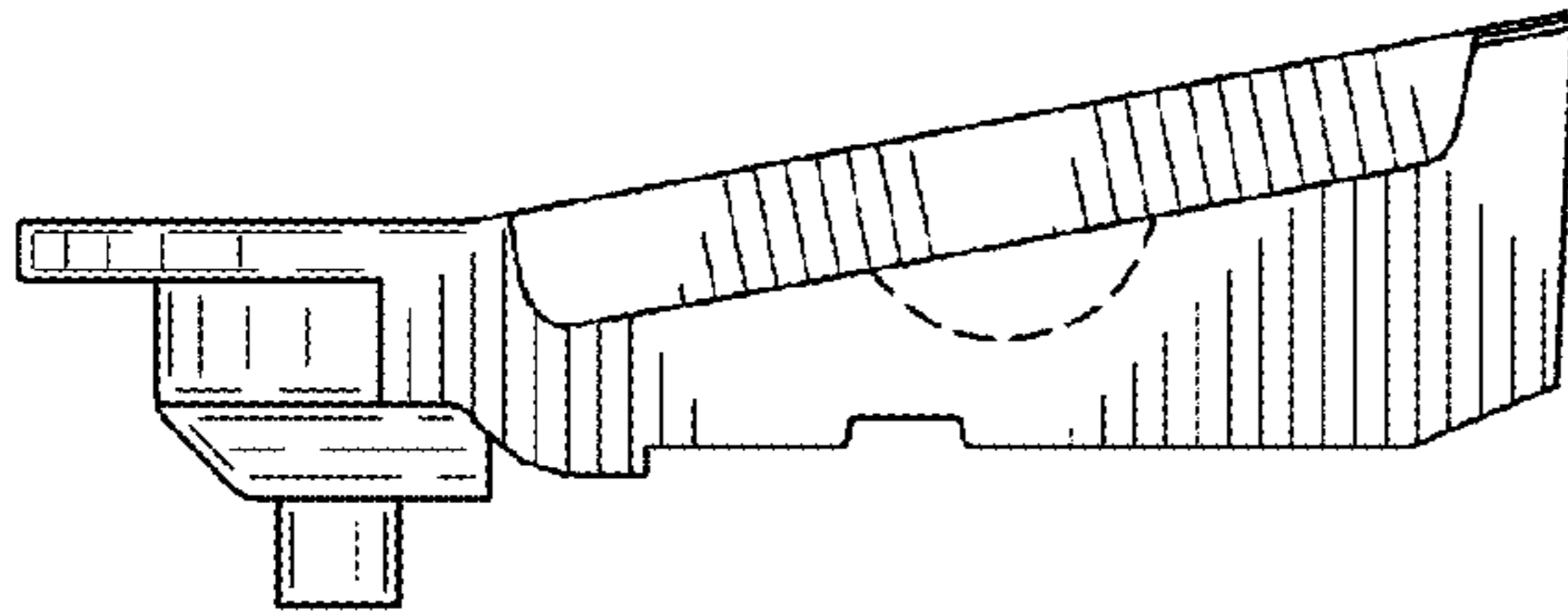


FIG. 4

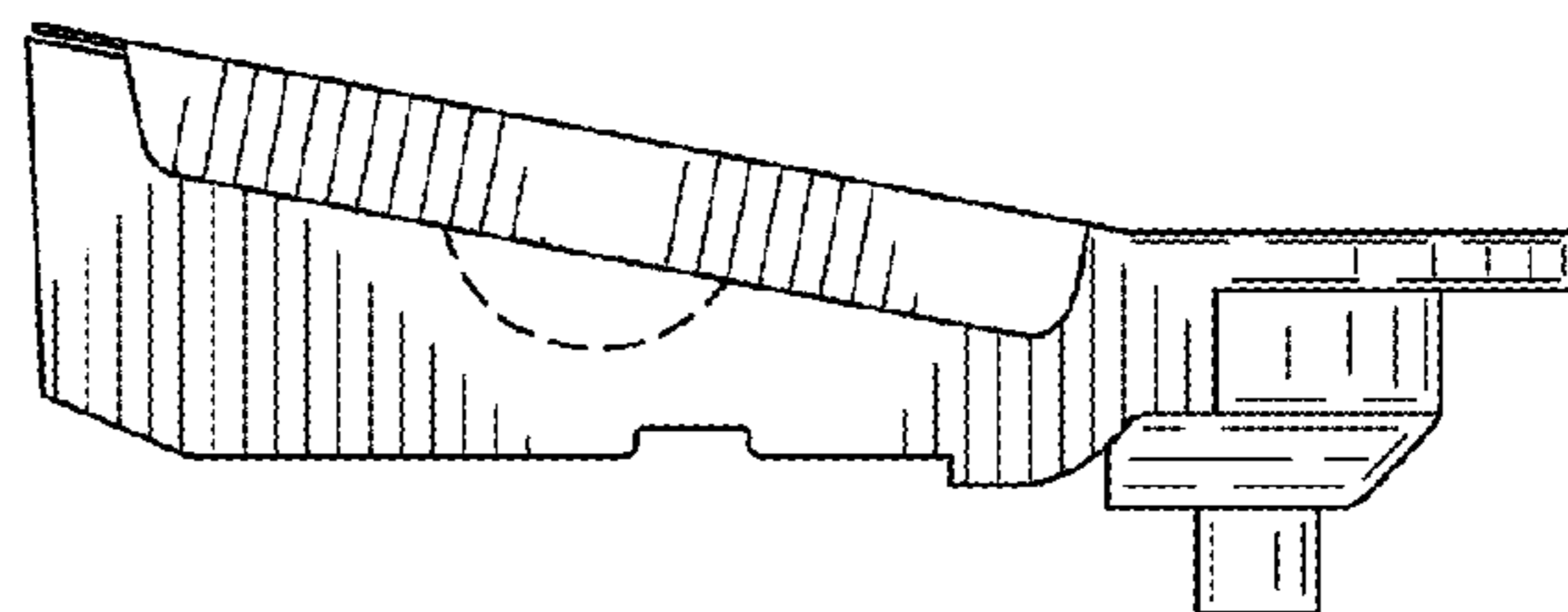


FIG. 5

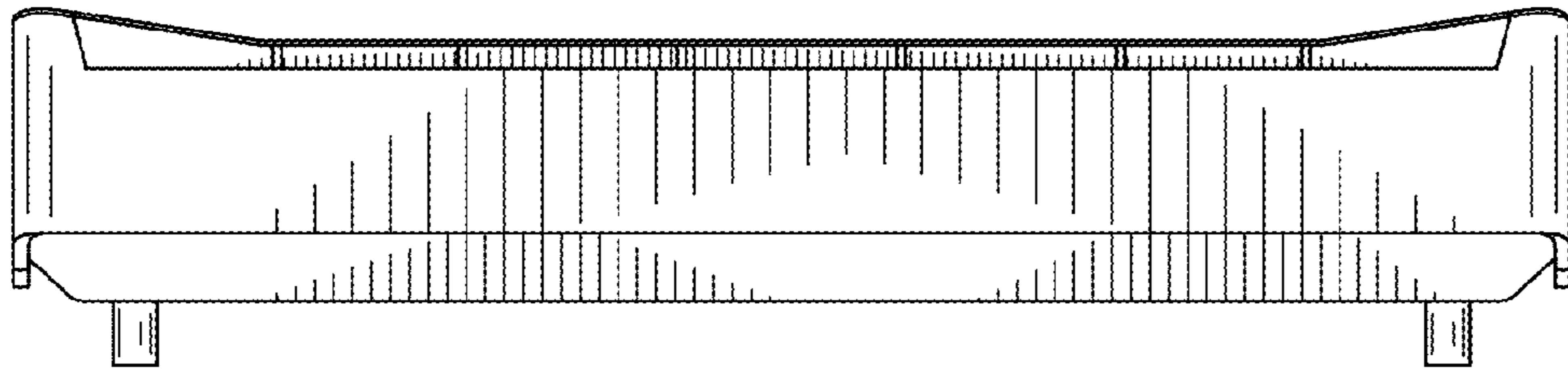


FIG. 6

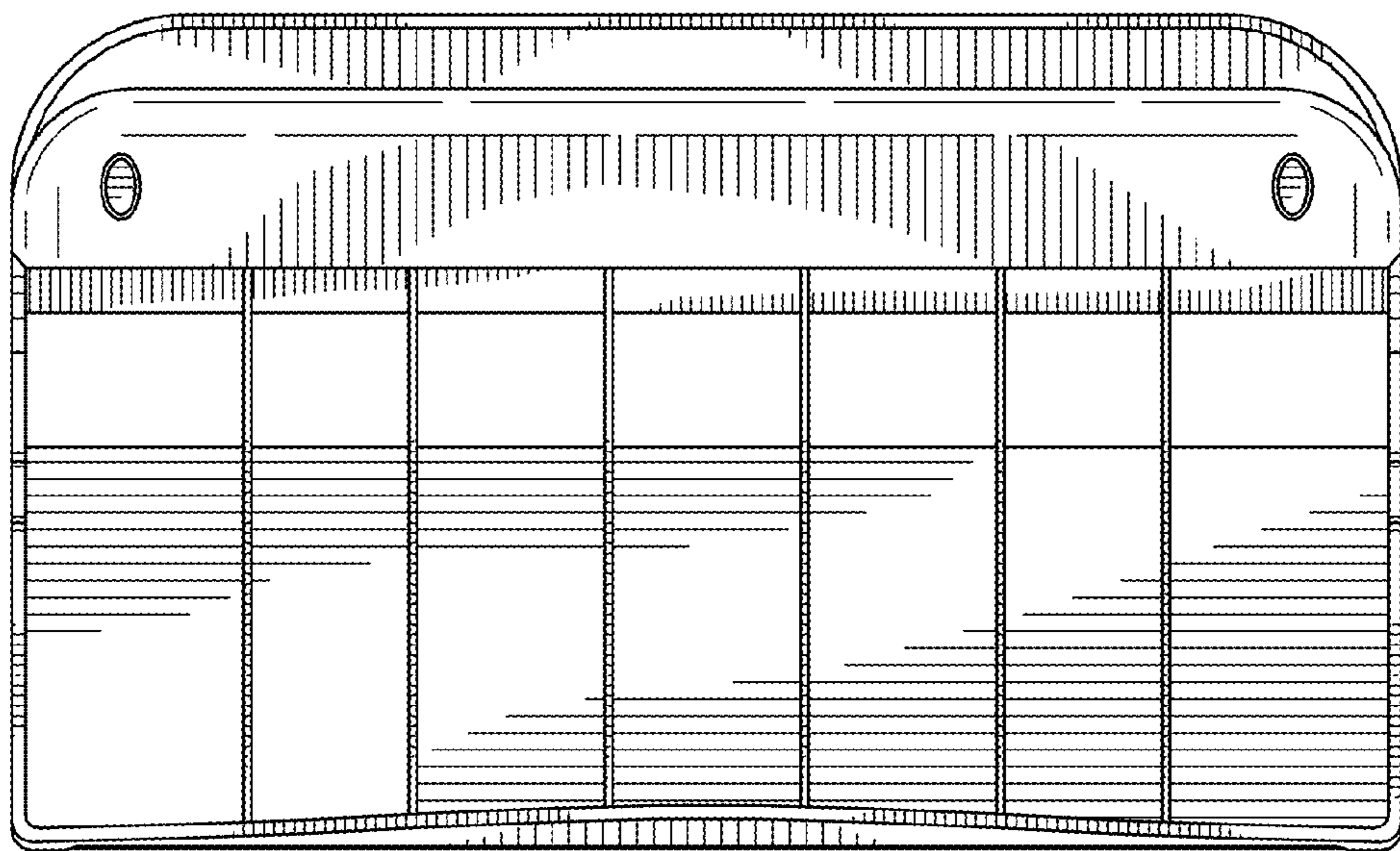


FIG. 7

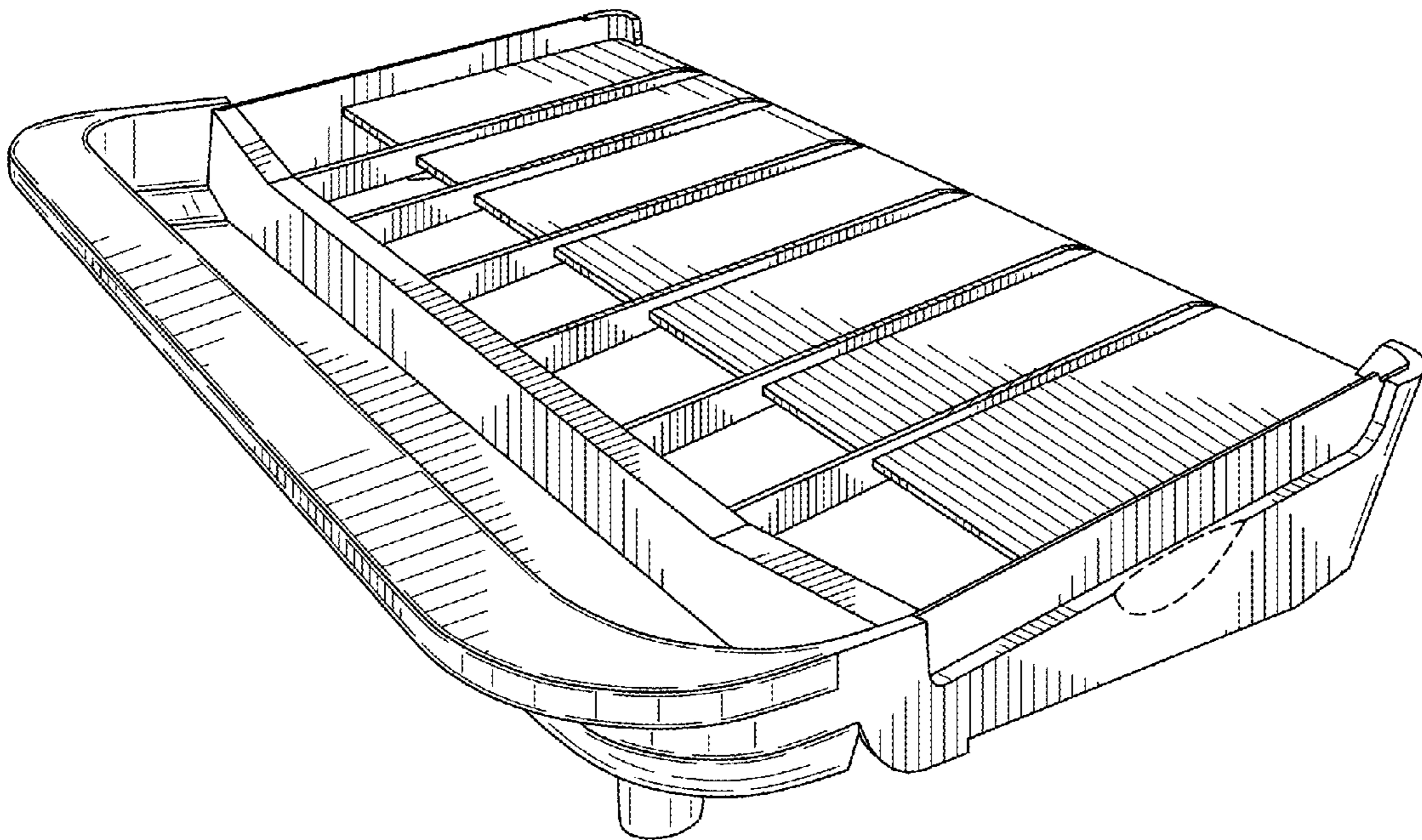


FIG. 8

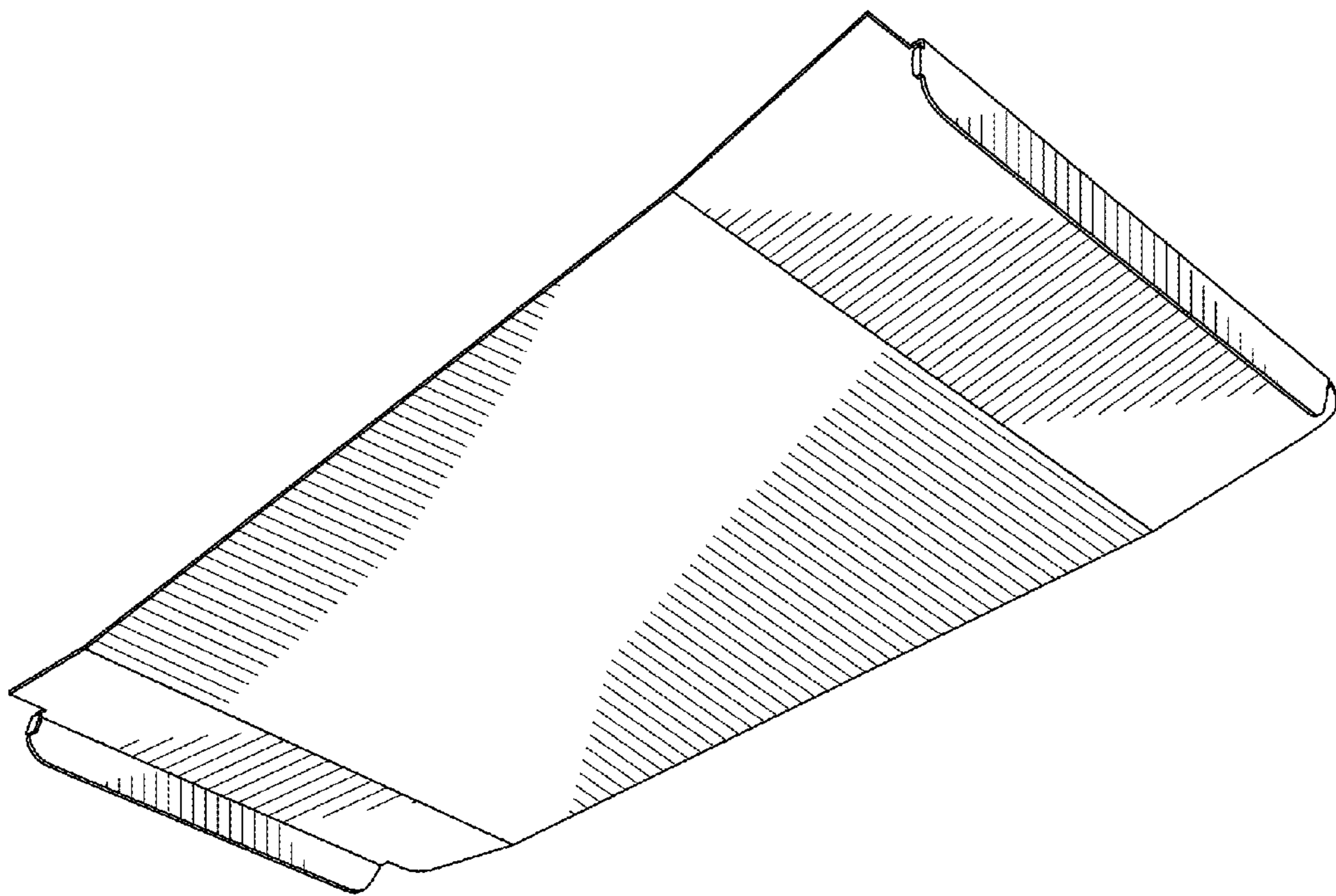


FIG. 9