



US00D758797S

(12) **United States Design Patent**  
**Lee et al.**

(10) **Patent No.:** **US D758,797 S**  
(45) **Date of Patent:** **\*\* Jun. 14, 2016**

- (54) **RACK FOR OVEN**
- (71) Applicant: **Samsung Electronics Co., Ltd.**,  
Suwon-si (KR)
- (72) Inventors: **Soo-Jung Lee**, Kimpo-Si (KR);  
**Hong-Pyo Kim**, Seoul (KR); **Chi-Young**  
**Ahn**, Seoul (KR)
- (73) Assignee: **Samsung Electronics Co., Ltd.**,  
Suwon-si (KR)
- (\*\*) Term: **14 Years**
- (21) Appl. No.: **29/496,065**
- (22) Filed: **Jul. 9, 2014**
- (30) **Foreign Application Priority Data**

Jan. 15, 2014 (KR) ..... 30-2014-0002411

- (51) **LOC (10) Cl.** ..... **07-02**
- (52) **U.S. Cl.**  
USPC ..... **D7/409**
- (58) **Field of Classification Search**  
USPC ..... D7/323, 332, 335-337, 354-355,  
D7/359-364, 387-388, 402, 407-409  
CPC ..... A21B 2/00; A21B 3/00; A21B 3/13;  
A21B 3/15; A21B 5/00; A21B 5/02; A23N  
12/06; A23N 12/08; A23N 12/10; A47B  
88/14; A47J 37/00; A47J 37/04; A47J 37/041;  
A47J 37/042; A47J 37/06; A47J 37/0688;  
A47J 37/0694; A47J 37/07; A47J 37/0704;  
A47J 37/0763; A47J 37/10; A47J 47/20;  
A47J 2037/00; A47J 2037/06; A47J  
2037/0611; A47J 2037/07; A47J 2037/0786;  
A47J 2037/0795; F24C 15/10; F24C 15/12;  
F24C 15/14; F24C 15/16; F24C 15/162;  
F24C 15/164; F24C 15/18; F25D 25/02  
See application file for complete search history.

- (56) **References Cited**  
U.S. PATENT DOCUMENTS  
1,997,432 A \* 4/1935 Replogle ..... F25D 25/02  
126/337 R  
3,719,181 A \* 3/1973 Porter ..... A47J 37/0763  
126/30

3,830,220	A *	8/1974	Demetreon	.....	F24C 15/162 126/340
D291,646	S *	9/1987	Koziol	.....	D7/409
5,447,146	A *	9/1995	Nickerson	.....	F24C 15/16 126/332
6,148,813	A *	11/2000	Barnes	.....	A47B 88/14 108/143
D509,405	S *	9/2005	Shin	.....	D7/409
7,703,453	B2 *	4/2010	Hughes	.....	F24C 15/16 123/332
7,789,082	B2 *	9/2010	Woon	.....	F24C 15/16 126/337 A
7,878,344	B2 *	2/2011	Martin	.....	F24C 15/16 126/337 A
7,938,280	B2 *	5/2011	Dunn	.....	F24C 15/16 126/337 R
2004/0069299	A1 *	4/2004	Le	.....	F24C 15/16 126/337 R
2009/0200906	A1 *	8/2009	Dao	.....	F24C 15/16 312/410

\* cited by examiner

Primary Examiner — Ricky Pham  
(74) Attorney, Agent, or Firm — NSIP Law

(57) **CLAIM**  
We claim the ornamental design for a rack for oven, as shown and described.

**DESCRIPTION**

FIG. 1 is a front perspective view of a rack for oven showing our new design;  
 FIG. 2 is a front view thereof;  
 FIG. 3 is a rear view thereof;  
 FIG. 4 is a left-side view thereof;  
 FIG. 5 is a right-side view thereof;  
 FIG. 6 is a top view thereof;  
 FIG. 7 is a bottom view thereof; and,  
 FIG. 8 is another front view thereof, in which an oven is provided in broken lines to illustrate an example environment.  
 The broken line showing of the oven in FIG. 8 is for environmental purposes only and forms no part of the claimed design.

**1 Claim, 6 Drawing Sheets**

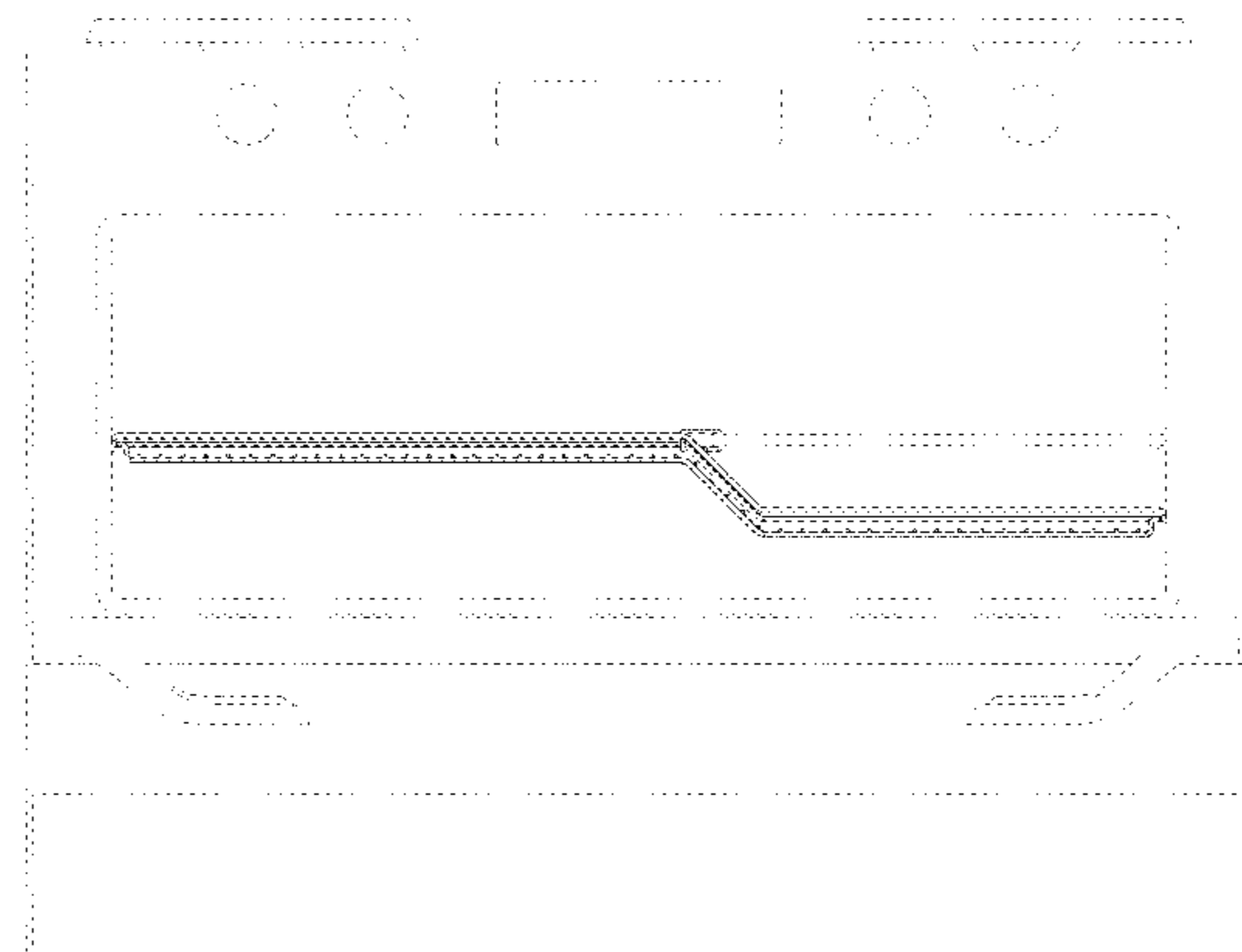
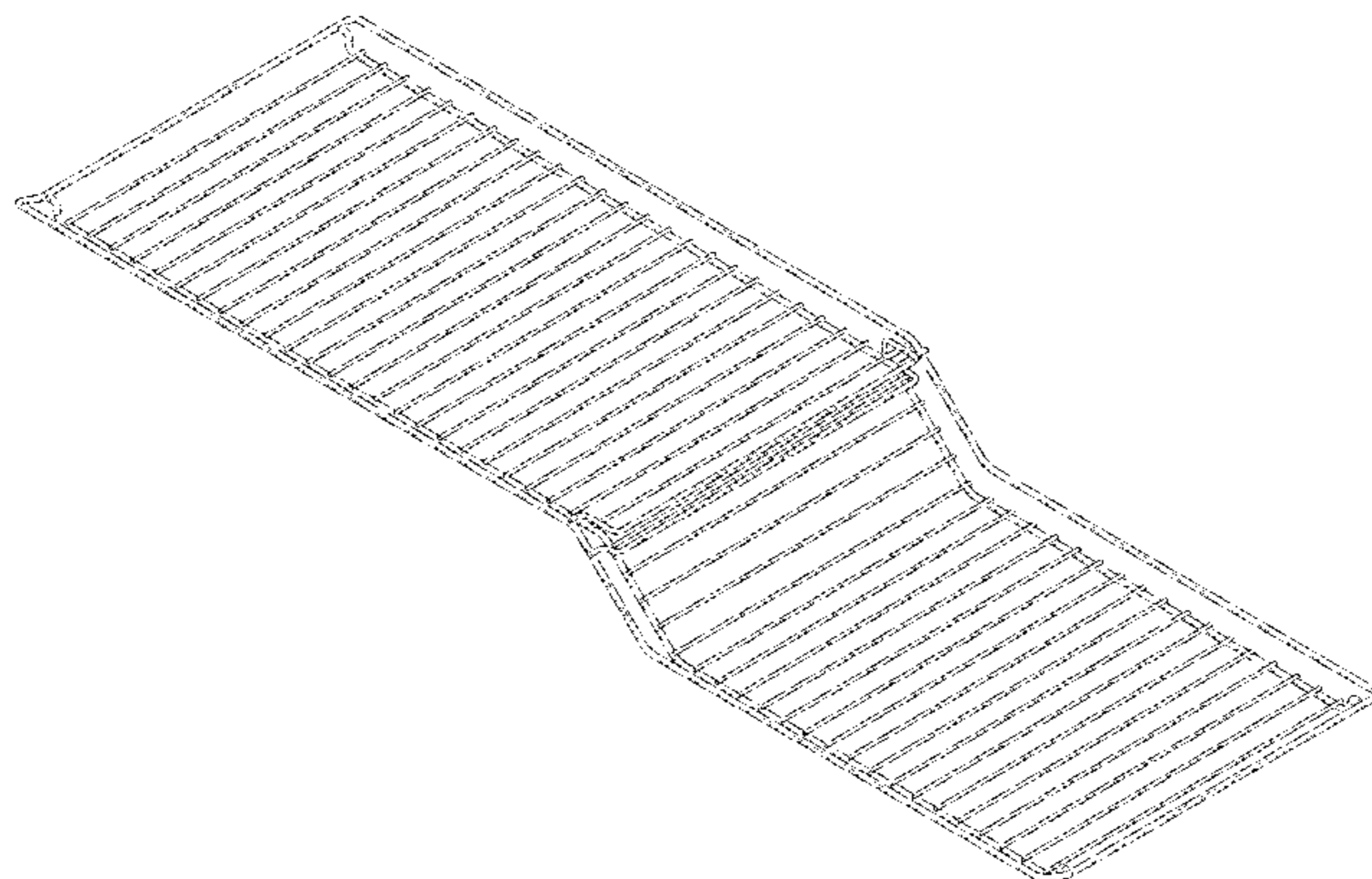


FIG. 1

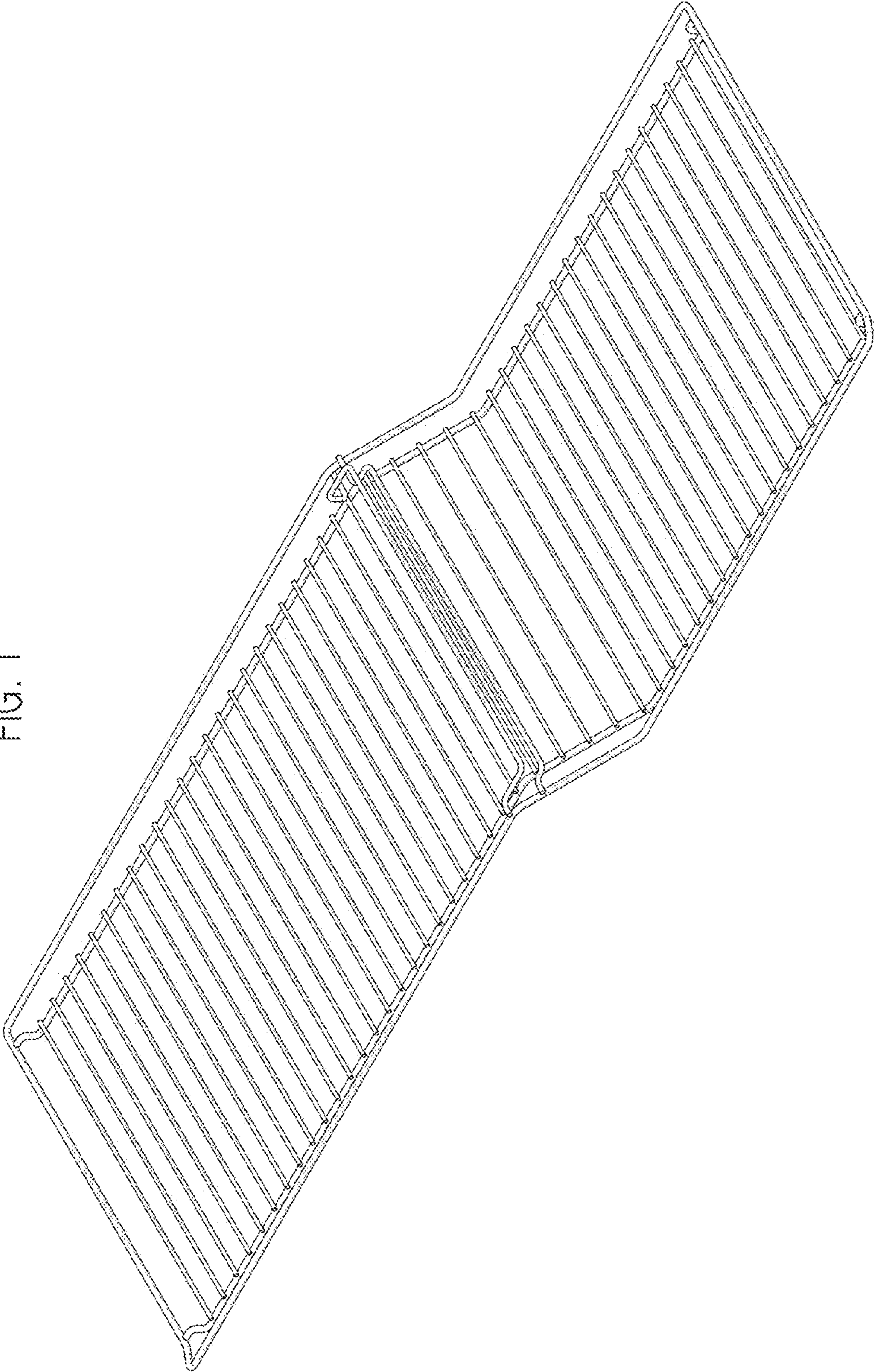




FIG. 2

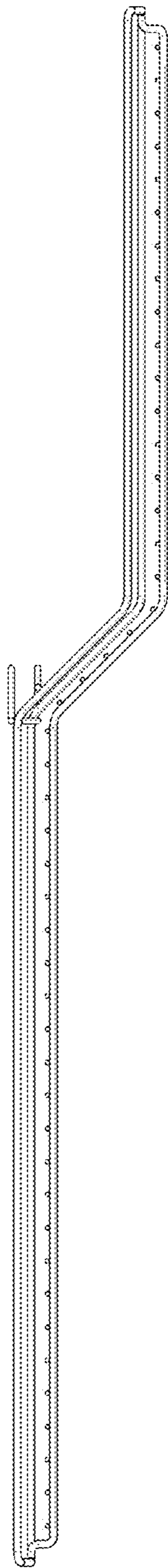


FIG. 3

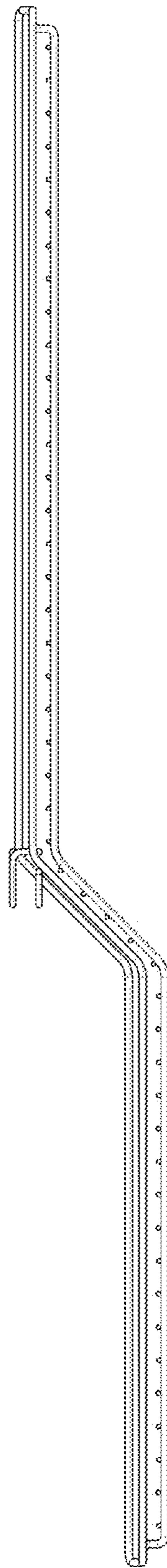


FIG. 4

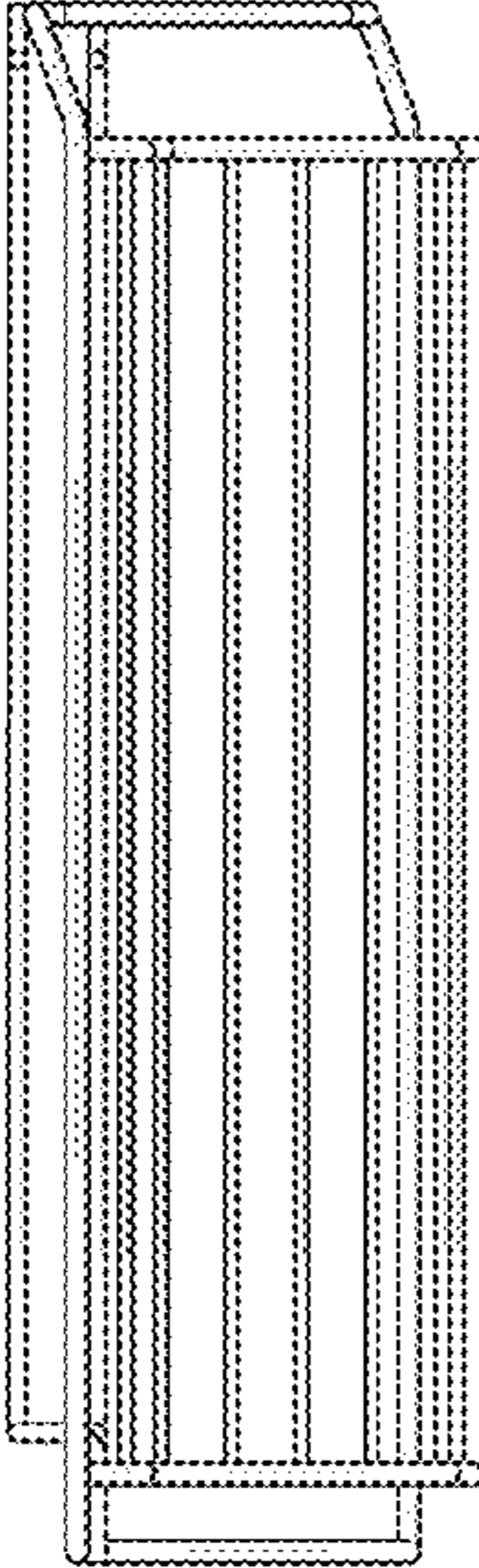


FIG. 5

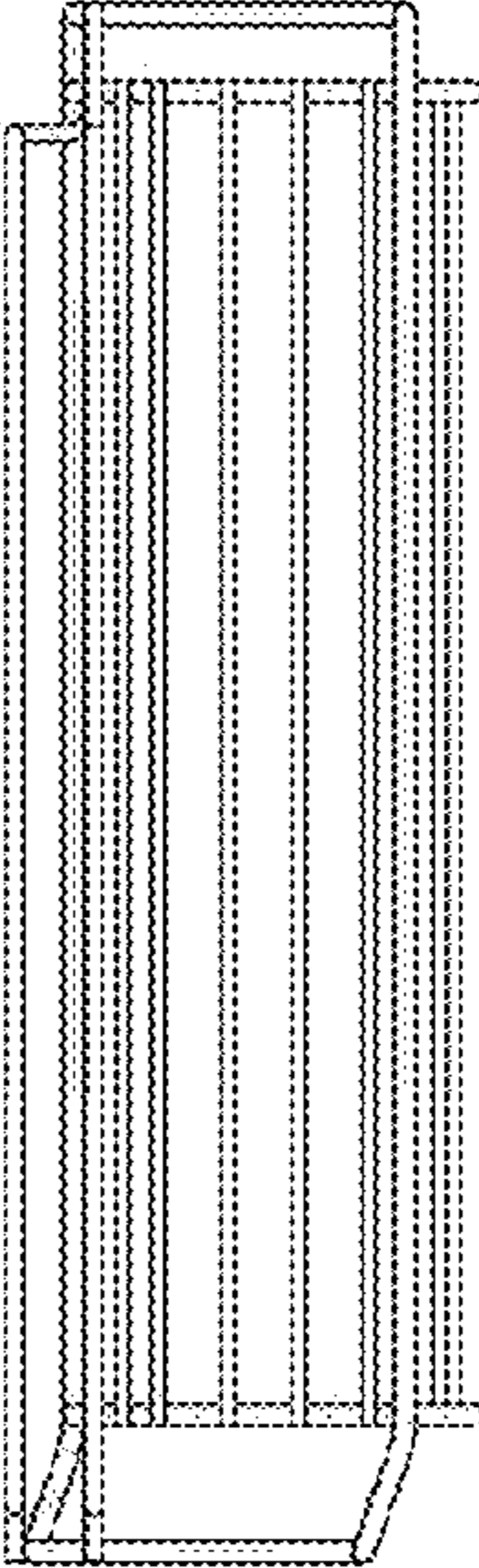


FIG. 6

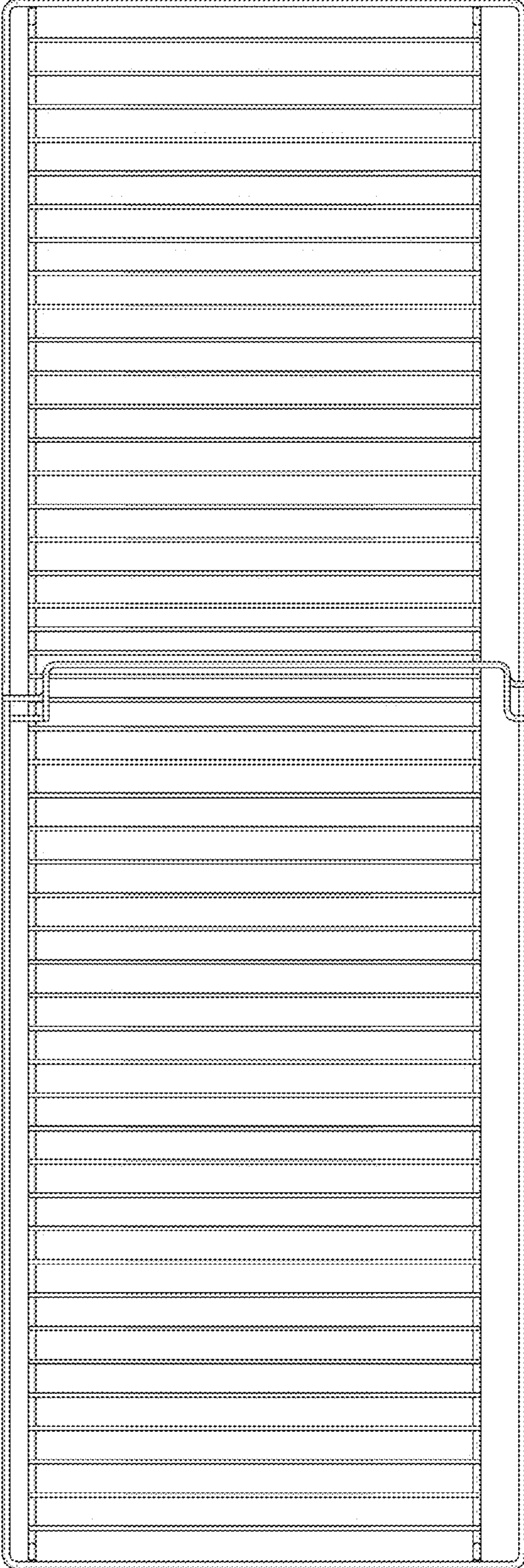


FIG. 7

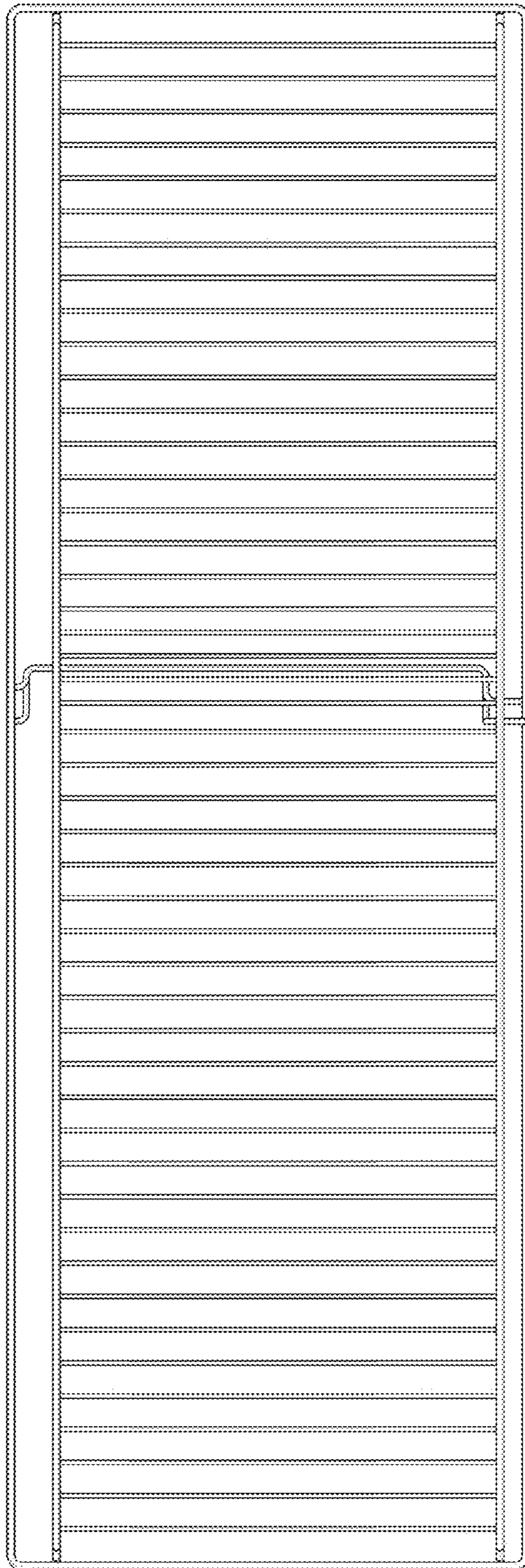




FIG. 8

