



US00D758796S

(12) **United States Design Patent**
Miller

(10) **Patent No.:** **US D758,796 S**
(45) **Date of Patent:** **** Jun. 14, 2016**

(54) **FLATWARE**

(71) Applicant: **Oneida Ltd.**, Lancaster, OH (US)

(72) Inventor: **Garet Riley Miller**, Columbus, OH (US)

(73) Assignee: **Oneida Ltd.**, Lancaster, OH (US)

(**) Term: **14 Years**

(21) Appl. No.: **29/525,554**

(22) Filed: **Apr. 30, 2015**

(51) **LOC (10) Cl.** **07-03**

(52) **U.S. Cl.**
USPC **D7/401.2; D7/653**

(58) **Field of Classification Search**

USPC D4/104, 135; D7/368, 395, 401.2,
D7/642-645, 653-664, 669, 675-677, 683,
D7/688-689, 691; D8/107, 300-301;
D22/117-118; D24/139
CPC A01D 9/02; A01D 9/04; A01D 9/06;
A47G 21/00; A47G 21/004; A47G 21/005;
A47G 21/02; A47G 21/023; A47G 21/04;
A47G 21/06; A47G 21/08; A47J 43/28;
A47J 43/281; A47J 43/282; A61F 13/10;
A61J 7/0023; B25G 1/00; B25G 1/01; B25G
1/02; B25G 3/00; B65D 75/56; B65D 75/563;
B65D 75/566; B67B 7/00; B67B 7/724;
B67B 7/73

See application file for complete search history.

(56) **References Cited**

U.S. PATENT DOCUMENTS

D184,942 S * 4/1959 Jones D7/662
D209,851 S * 1/1968 Levin D7/395

(Continued)

Primary Examiner — Ricky Pham

(74) *Attorney, Agent, or Firm* — Dinsmore & Shohl LLP

(57) **CLAIM**

The ornamental design for flatware, as shown and described.

DESCRIPTION

FIG. 1 is a top plan view of a new ornamental design for flatware embodied as a fork;

FIG. 2 is a bottom plan view thereof;

FIG. 3 is a left side elevation view thereof;

FIG. 4 is a right side elevation view thereof;

FIG. 5 is an end view thereof, shown from the end of the handle;

FIG. 6 is an end view thereof, shown from the opposite end of that shown in FIG. 5;

FIG. 7 is a cross-sectional view taken along section line 7-7 of FIG. 1 to illustrate the peripheral shape of the article at the cross-section;

FIG. 8 is a cross-sectional view taken along section line 8-8 of FIG. 1 to illustrate the peripheral shape of the article at the cross-section;

FIG. 9 is a cross-sectional view taken along section line 9-9 of FIG. 1 to illustrate the peripheral shape of the article at the cross-section;

FIG. 10 is a top plan view of a new ornamental design for flatware embodied as a knife;

FIG. 11 is a bottom plan view thereof;

FIG. 12 is a left side elevation view thereof;

FIG. 13 is a right side elevation view thereof;

FIG. 14 is an end view thereof, shown from the end of the handle;

FIG. 15 is an end view thereof, shown from the opposite end of that shown in FIG. 14;

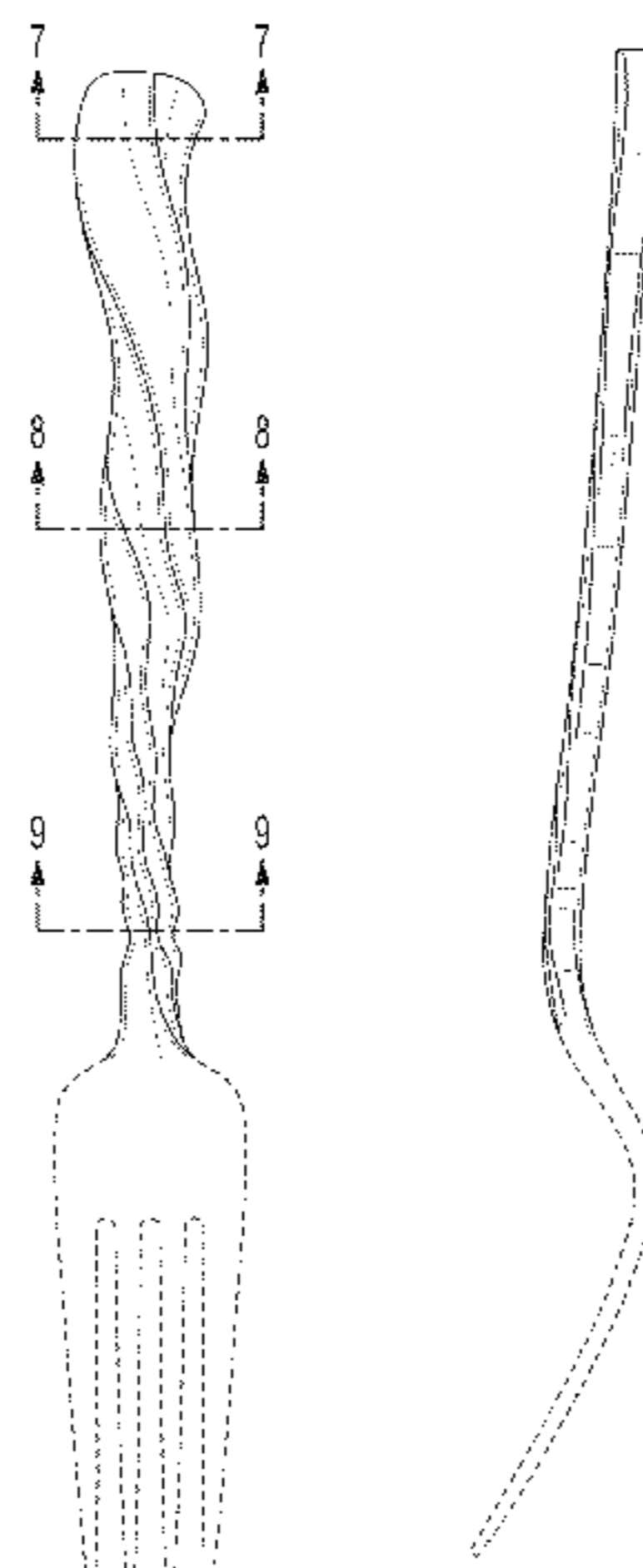
FIG. 16 is a cross-sectional view taken along section line 16-16 of FIG. 10 to illustrate the peripheral shape of the article at the cross-section;

FIG. 17 is a cross-sectional view taken along section line 17-17 of FIG. 10 to illustrate the peripheral shape of the article at the cross-section; and,

FIG. 18 is a cross-sectional view taken along section line 18-18 of FIG. 10 to illustrate the peripheral shape of the article at the cross-section.

The broken lines in the drawings are included for purposes of illustrating portions of the article that form no part of the claimed design.

1 Claim, 6 Drawing Sheets



(56)

References Cited

U.S. PATENT DOCUMENTS

D215,026 S * 8/1969 Richmond D7/653
D227,825 S * 7/1973 Runckel D1/105
D238,281 S * 12/1975 Cali D24/139
D258,241 S * 2/1981 Takada D4/135
D296,508 S 7/1988 Manderfield
D362,373 S * 9/1995 Richmond D7/653

D390,424 S * 2/1998 Shane-Schuldt D7/653
D411,412 S * 6/1999 Morrison D7/401.2
D431,415 S * 10/2000 Yot D7/401.2
D454,285 S * 3/2002 Richmond D7/662
D509,998 S 9/2005 Tranfaglia et al.
D572,543 S 7/2008 Koennecke
D594,712 S * 6/2009 Shane-Schuldt D7/653
D620,749 S * 8/2010 Junko D7/401.2
D625,549 S 10/2010 Holcomb

* cited by examiner

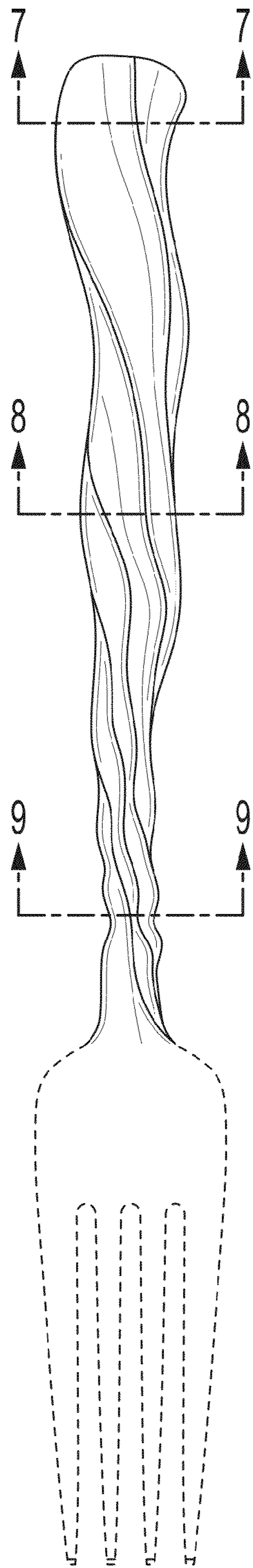


FIG. 1



FIG. 2

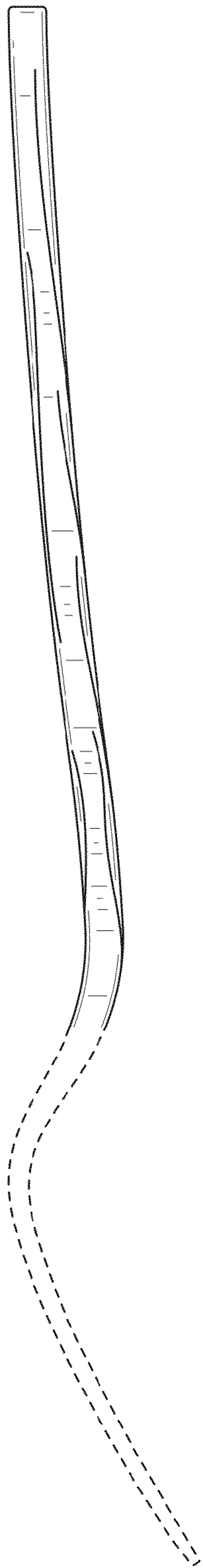


FIG. 3

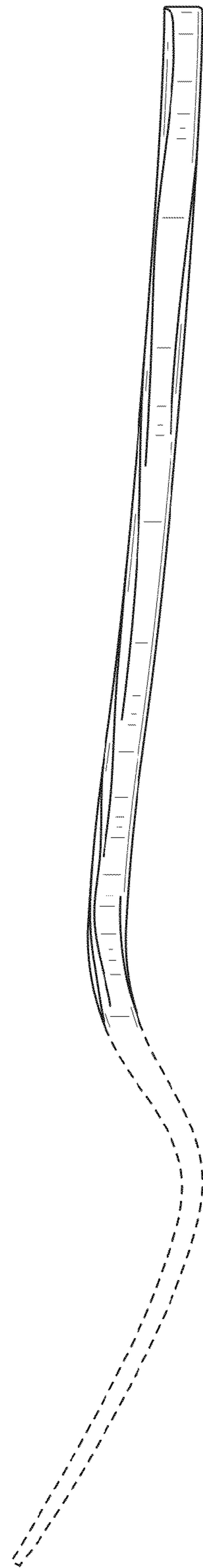


FIG. 4

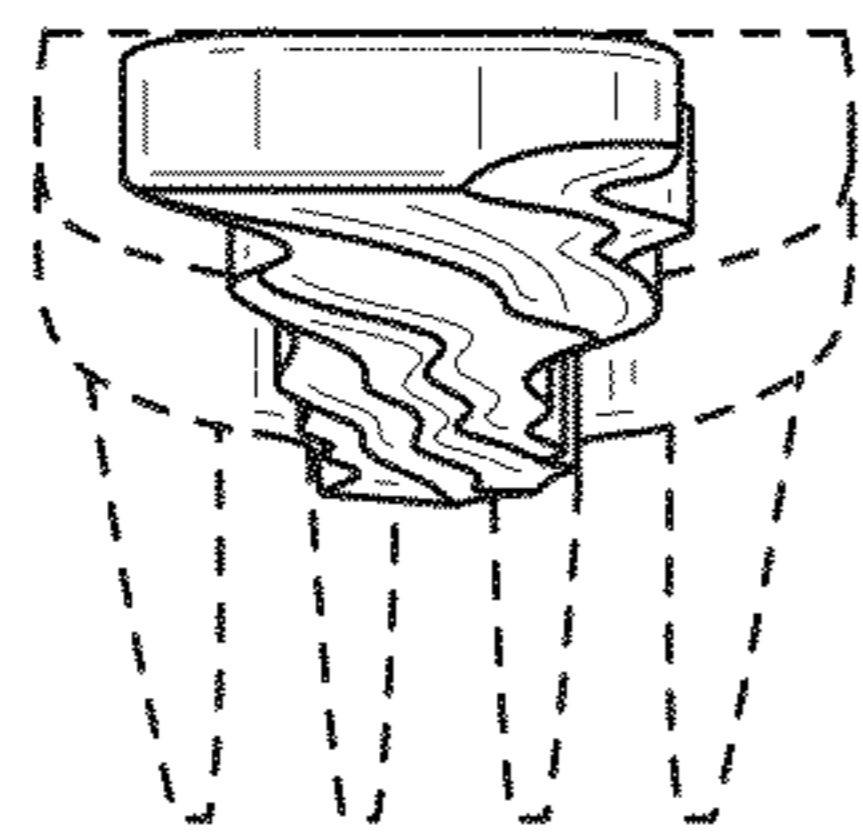


FIG. 5

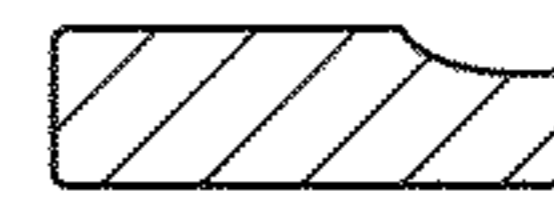


FIG. 7

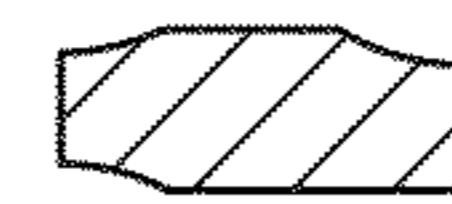


FIG. 8

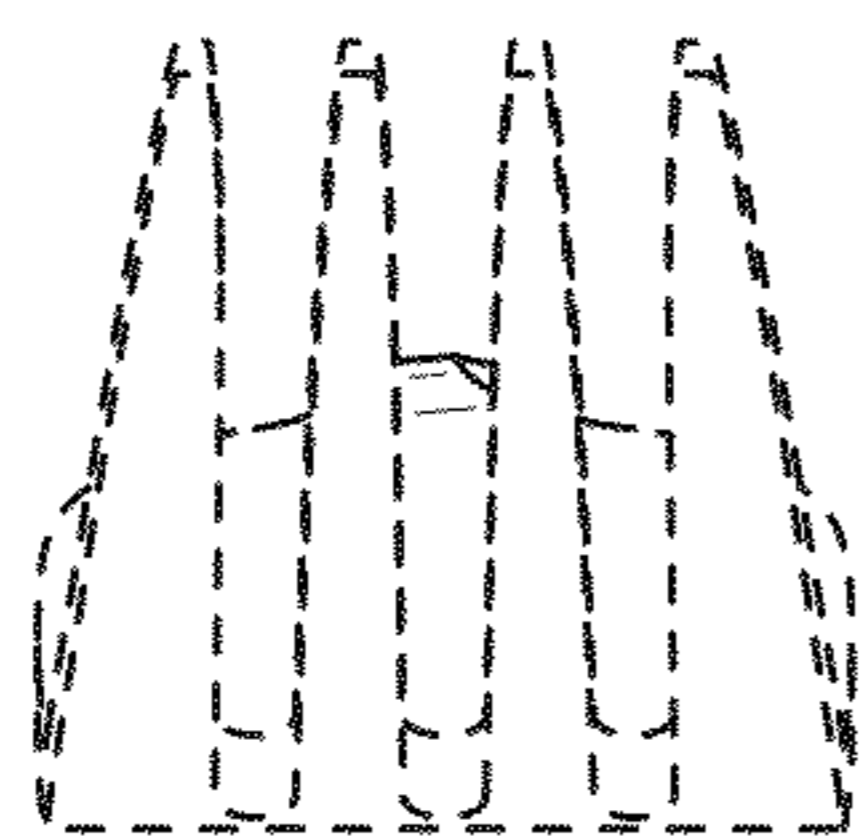


FIG. 6



FIG. 9

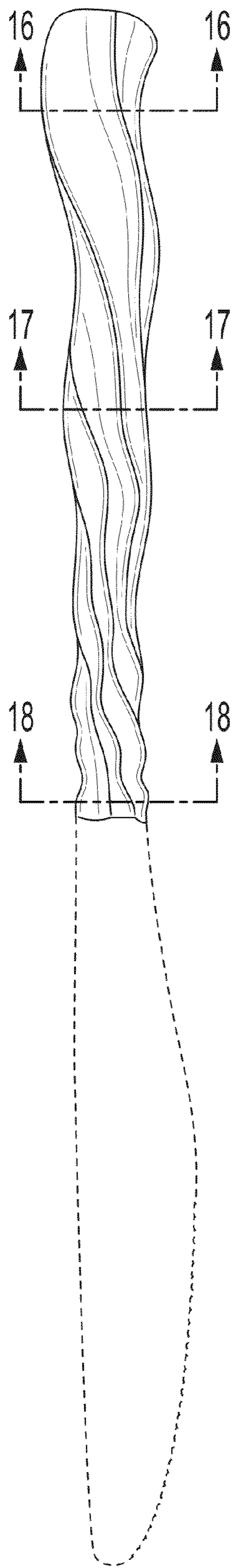


FIG. 10

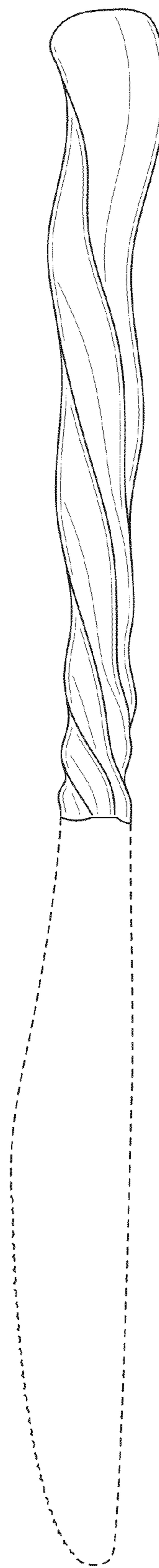


FIG. 11



FIG. 12



FIG. 13

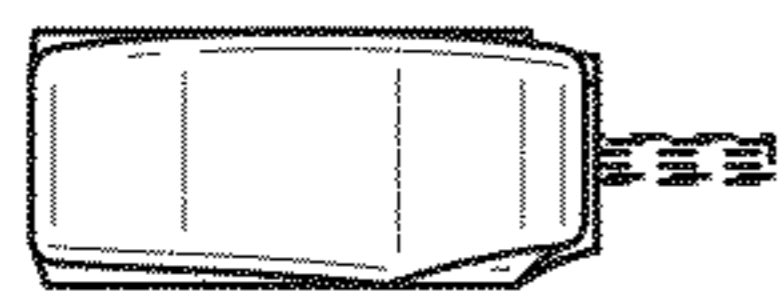


FIG. 14

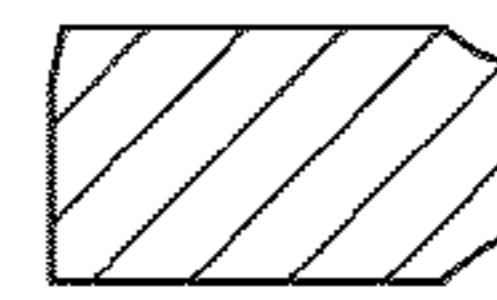


FIG. 16

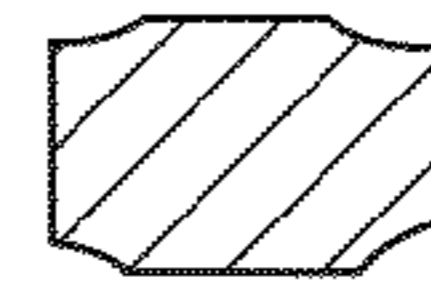


FIG. 17



FIG. 15



FIG. 18