



US00D758795S

(12) **United States Design Patent**  
**Bond et al.**

(10) **Patent No.:** **US D758,795 S**  
(45) **Date of Patent:** **\*\* \*Jun. 14, 2016**

(54) **BEVERAGE DISPENSING BAR GUN**

CPC ..... B25F 1/02; B25F 5/02; B25F 5/023;  
B25F 5/026; B65D 5/46; B65D 47/24; B65D  
47/2093; F16K 23/00  
See application file for complete search history.

(71) Applicant: **Schroeder Industries, Inc.**, San Antonio, TX (US)

(72) Inventors: **Kenneth D. Bond**, San Antonio, TX (US); **Sam Brown**, Bulverde, TX (US); **David Santy**, Converse, TX (US)

(56) **References Cited**

U.S. PATENT DOCUMENTS

1,947,329	A *	2/1934	Buttner	.....	366/181.5
2,887,250	A *	5/1959	Zilk	.....	222/144.5
2,937,792	A *	5/1960	Firstenberg	.....	222/144.5
3,241,720	A *	3/1966	Barney	.....	222/23
D274,031	S *	5/1984	de Man	.....	D7/398
4,497,421	A *	2/1985	Schilling	.....	222/144.5
4,619,378	A *	10/1986	de Man	.....	222/144.5
4,921,140	A *	5/1990	Belcham	.....	222/144.5
D309,232	S *	7/1990	Valiyee et al.	.....	D7/398
4,986,449	A *	1/1991	Valiyee et al.	.....	222/144.5

(Continued)

*Primary Examiner* — Marianne Pandozzi

*Assistant Examiner* — Jae Liang

(\*) Notice: This patent is subject to a terminal disclaimer.

(\*\*) Term: **14 Years**

(21) Appl. No.: **29/497,568**

(22) Filed: **Jul. 25, 2014**

**Related U.S. Application Data**

(63) Continuation of application No. 29/438,565, filed on Nov. 30, 2012, now Pat. No. Des. 717,593, and a continuation of application No. 13/543,351, filed on Jul. 6, 2012.

(51) **LOC (10) Cl.** ..... **07-99**

(52) **U.S. Cl.**  
USPC ..... **D7/398; D7/397**

(58) **Field of Classification Search**  
USPC ..... D7/397, 398, 213, 313, 393, 395, 515, D7/539, 300.2, 619.1; D10/119.2, 68; 217/72, 98; 137/317, 318, 319; 222/145.7, 148, 113, 484, 569, 563, 222/479, 190; D8/107; D6/403, 404; 248/27.8; D2/909, 910, 911, 631; D11/30, 44, 48, 53, 81, 99, 101, 157, D11/160, 95; D21/313, 386, 396, 388, 414, D21/490, 594; D99/21, 22; D4/107; D3/200, 203.1, 203.2, 203.4, 203.5, D3/204, 207, 208, 212, 266, 264, 215, D3/322; D20/22, 19, 23, 28, 40, 43, 44, D20/99; D23/255, 238

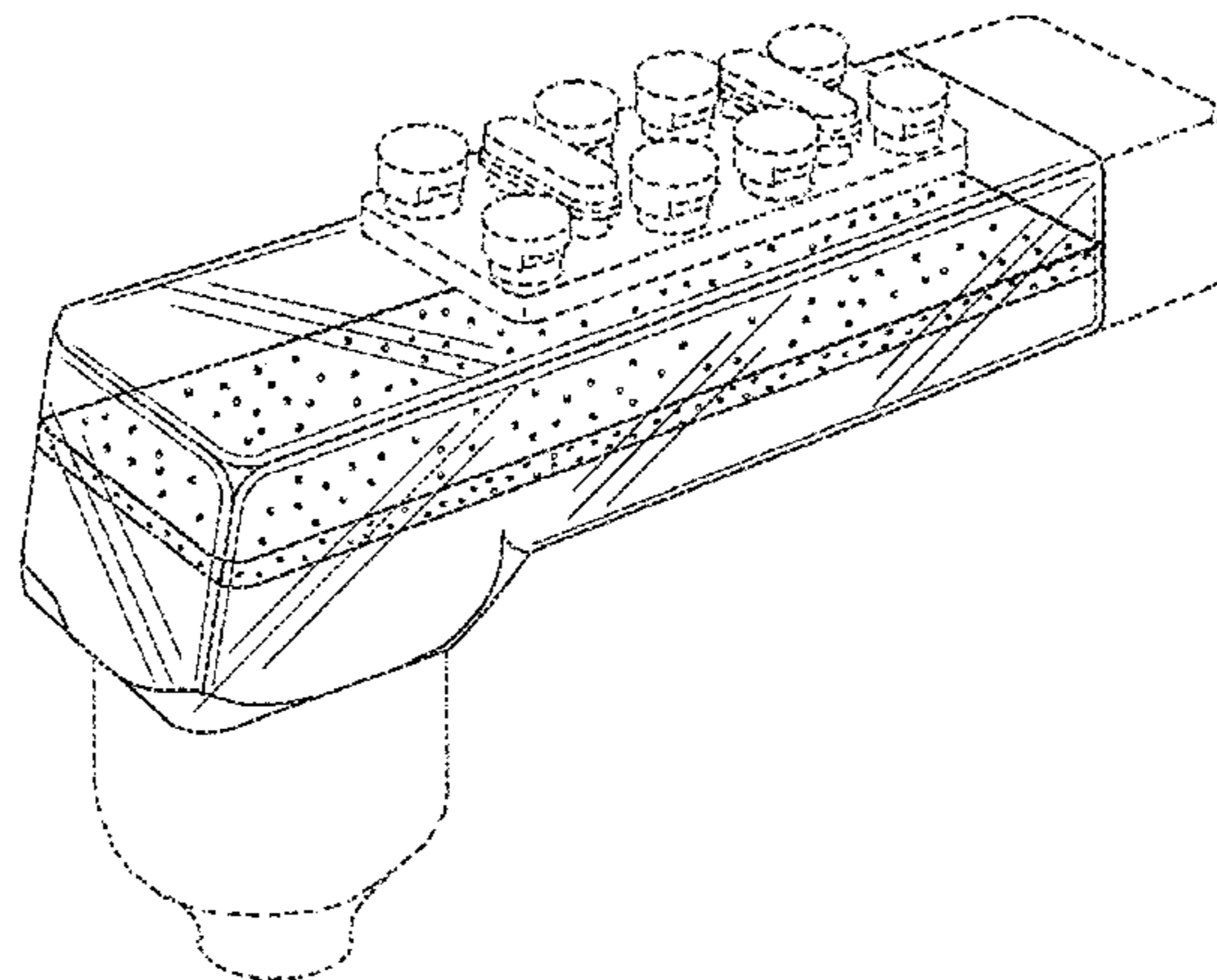
(57) **CLAIM**

The ornamental design for a beverage dispensing bar gun, as shown and described.

**DESCRIPTION**

FIG. 1 is a top plan view of a beverage dispensing bar gun showing my new design;  
FIG. 2 is a left side elevational view thereof;  
FIG. 3 is a bottom plan view thereof;  
FIG. 4 is a right side elevational view thereof;  
FIG. 5 is a front elevational view thereof;  
FIG. 6 is a rear elevational view thereof;  
FIG. 7 is a perspective view thereof;  
FIG. 8 is a cross-sectional view thereof taken along line 8-8 in FIG. 2; and,  
FIG. 9 is a cross-sectional view thereof taken along line 9-9 in FIG. 2.  
The drawings are lined for contrast in appearance. The broken lines depict portions of the beverage dispensing bar gun that form no part of the claimed design.

**1 Claim, 5 Drawing Sheets**



(56)

**References Cited**

U.S. PATENT DOCUMENTS

5,042,692	A *	8/1991	Valiyee et al.	.....	222/144.5	D687,520	S *	8/2013	Lord	.....	D23/255
D325,074	S *	3/1992	Paul	.....	D23/255	D697,753	S *	1/2014	Brown	.....	D7/398
D496,826	S *	10/2004	Harris et al.	.....	D7/395	D717,590	S *	11/2014	Bond	.....	D7/398
D522,092	S *	5/2006	Hoernig	.....	D23/238	D717,591	S *	11/2014	Bond	.....	D7/398
D628,014	S *	11/2010	Martindale	.....	D7/398	D717,592	S *	11/2014	Bond	.....	D7/398
D638,659	S *	5/2011	Martindale et al.	.....	D7/398	D717,593	S *	11/2014	Bond	.....	D7/398
D666,869	S *	9/2012	Martindale et al.	.....	D7/398	2008/0223876	A1 *	9/2008	Schroeder	.....	222/144.5
						2010/0147886	A1 *	6/2010	Martindale	.....	222/113
						2011/0286883	A1 *	11/2011	Hecht et al.	.....	422/24
						2012/0325855	A1 *	12/2012	Brown et al.	.....	222/144.5

\* cited by examiner

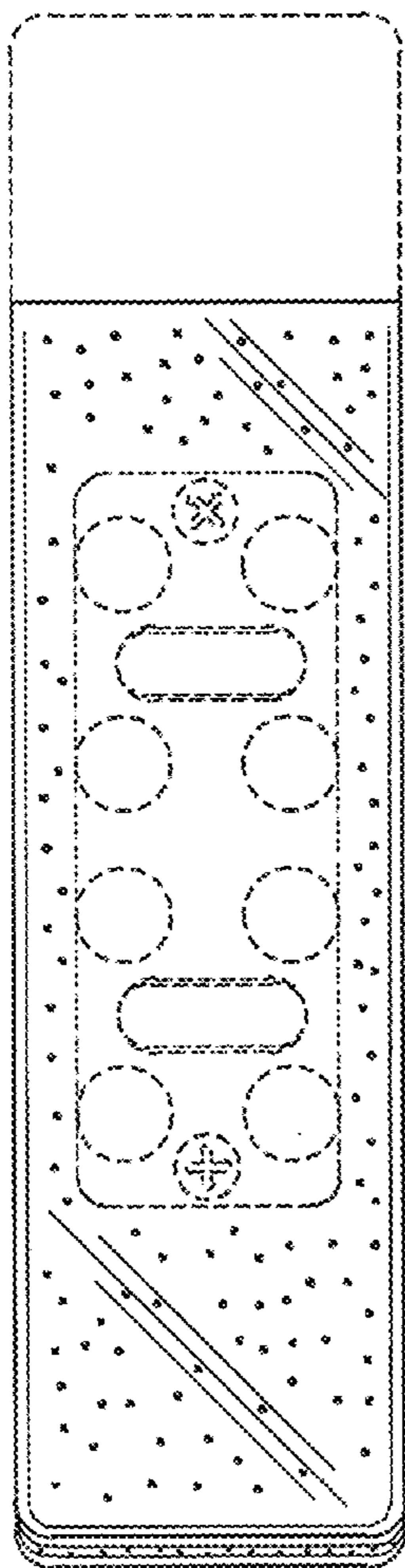


Fig. 1

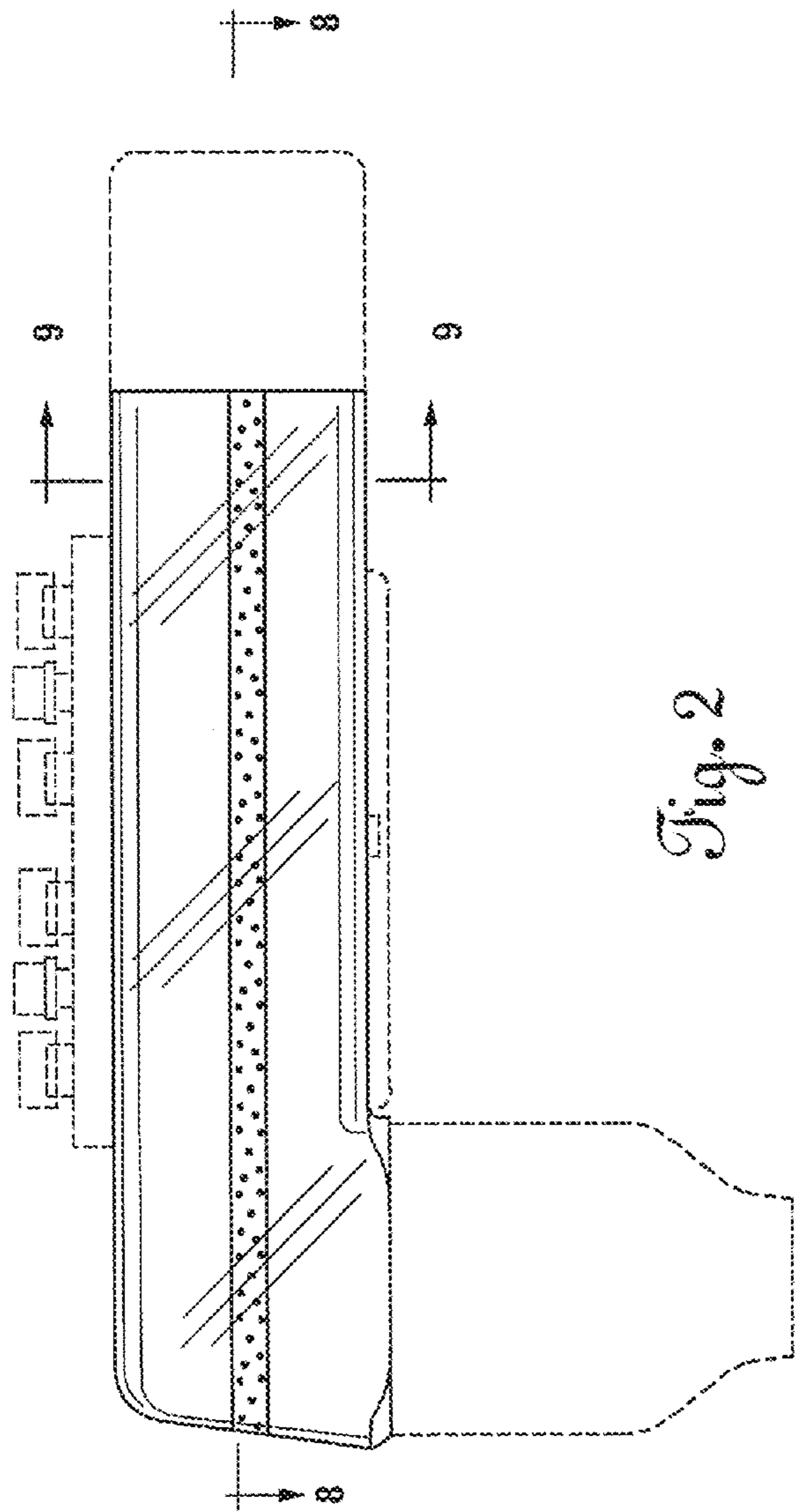


Fig. 2

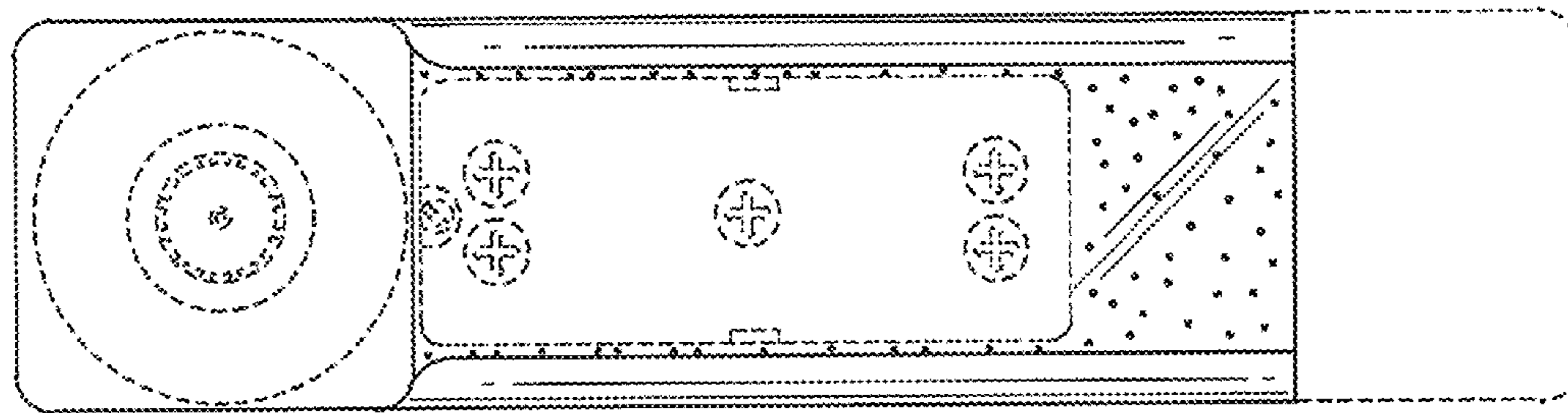


Fig. 3

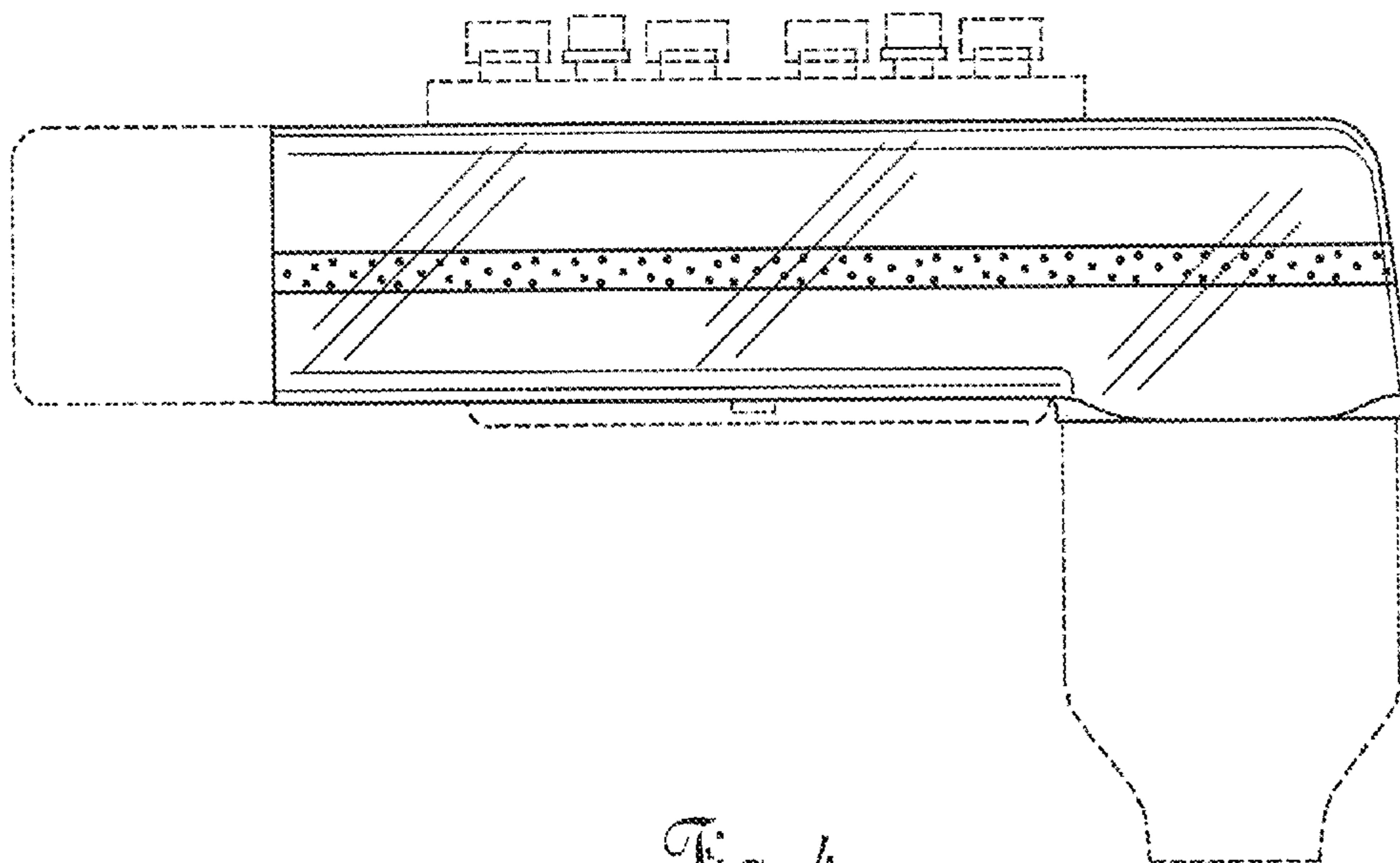
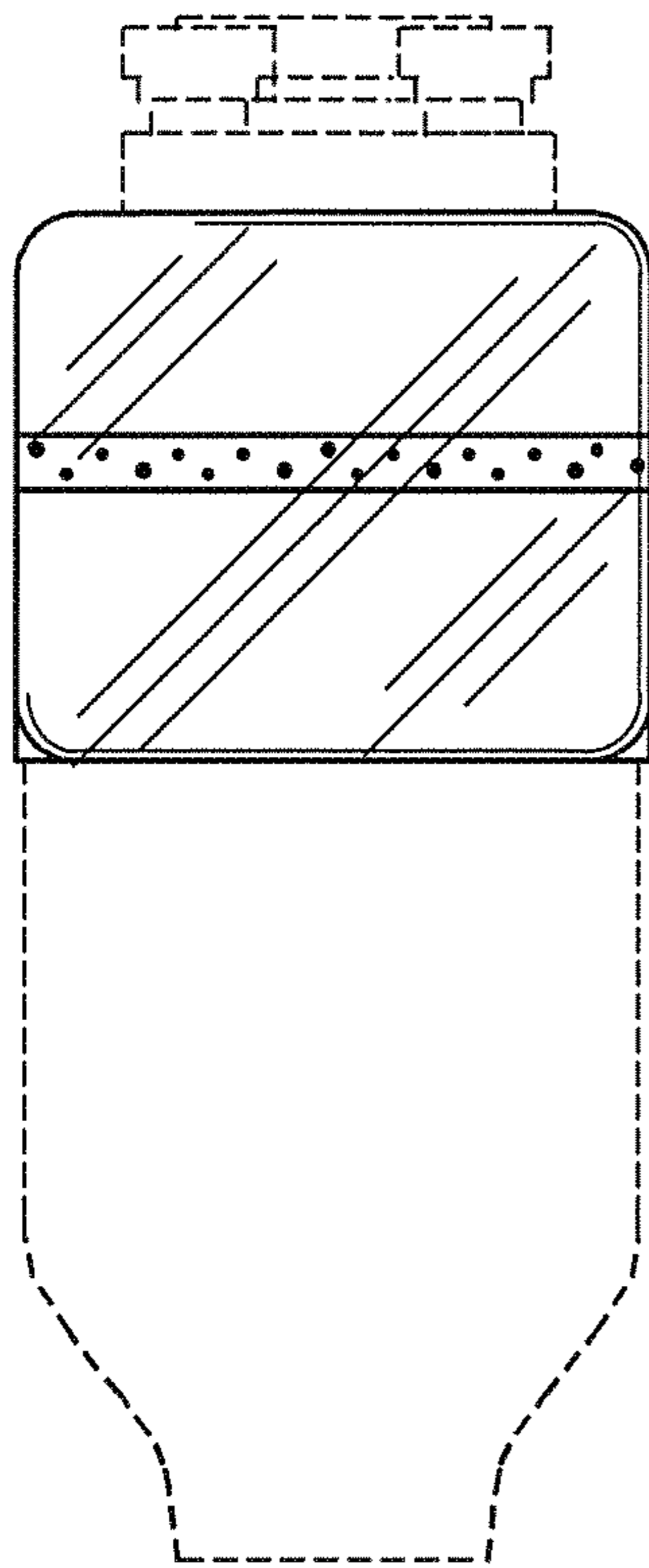
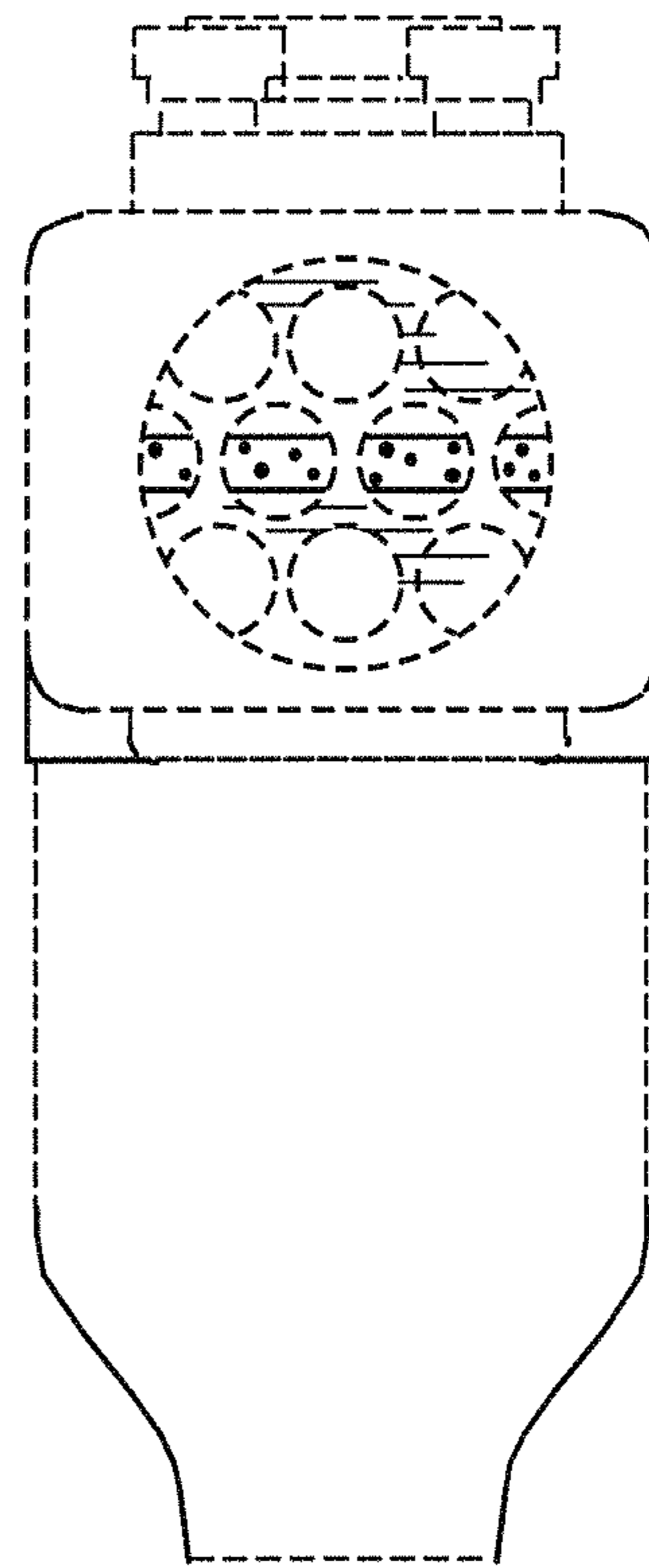


Fig. 4



*Fig. 5*



*Fig. 6*

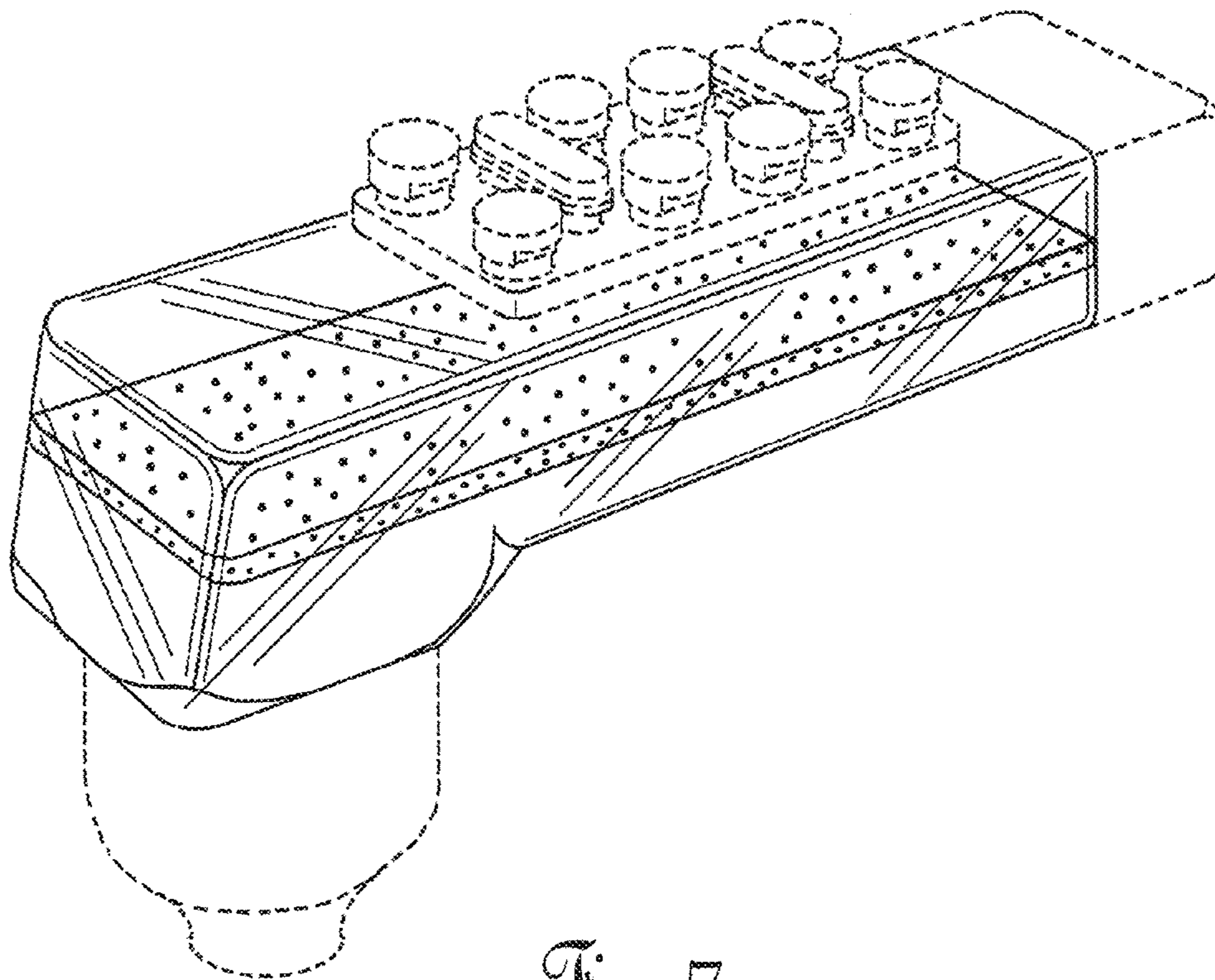


Fig. 7

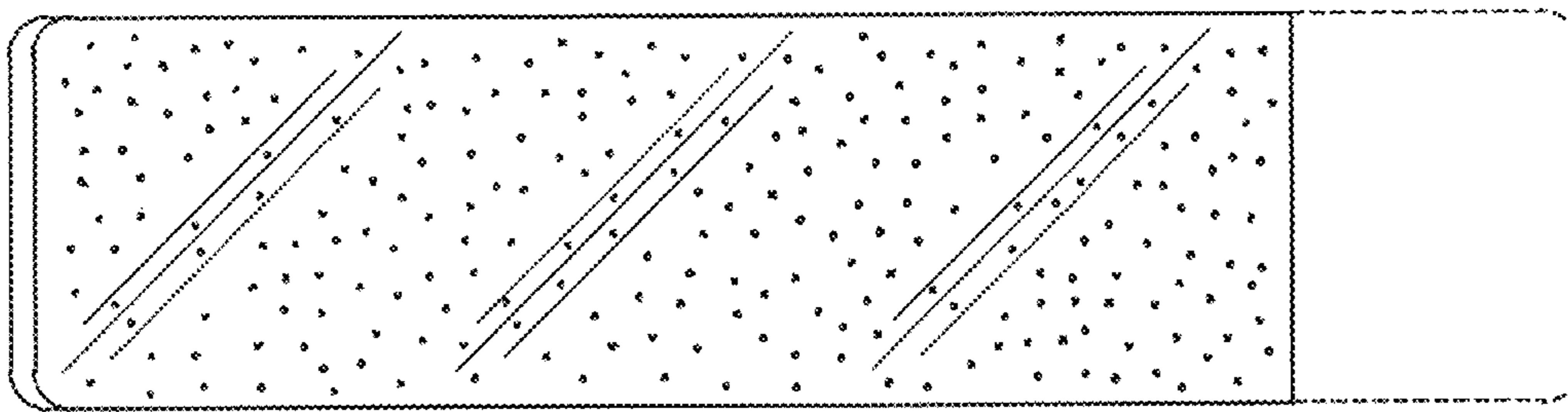


Fig. 8

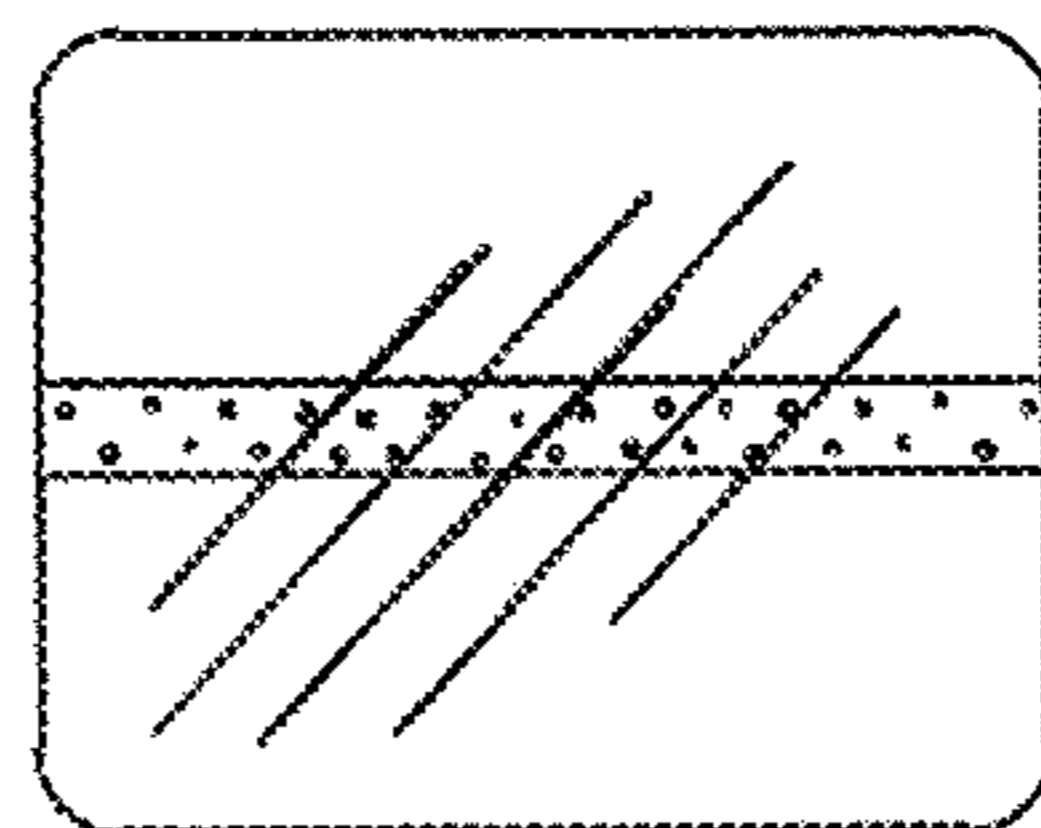


Fig. 9