



US00D758793S

(12) **United States Design Patent**
Ho

(10) **Patent No.:** **US D758,793 S**
(45) **Date of Patent:** **** Jun. 14, 2016**

(54) **PITCHER TOP**
(71) Applicant: **Takeya USA Corporation**, Huntington Beach, CA (US)

D152,451 S 1/1949 Blakeslee
D157,795 S 3/1950 Schwarz
D203,211 S 12/1965 Brocken

(Continued)

(72) Inventor: **Chun Kit Ho**, Rosemead, CA (US)
(73) Assignee: **Takeya USA Corporation**, Huntington Beach, CA (US)

FOREIGN PATENT DOCUMENTS

CN 201658143 12/2010
JP 8310531 11/1996
JP 11075693 3/1999

(**) Term: **14 Years**
(21) Appl. No.: **29/502,710**
(22) Filed: **Sep. 18, 2014**

OTHER PUBLICATIONS

“Thrifty Finds #9”. Found online Sep. 2, 2015 at oasisaccents.com. Page dated Feb. 2, 2012. Retrieved from <http://www.oasisaccents.com/thrifty-finds-9/>.*

(Continued)

Related U.S. Application Data

(62) Division of application No. 29/454,421, filed on May 9, 2013, now Pat. No. Des. 713,672.

(51) **LOC (10) Cl.** **07-02**

(52) **U.S. Cl.**
USPC **D7/393; D7/392.1; D7/397**

(58) **Field of Classification Search**
USPC D23/207, 209; D7/19, 323, 391, 392, D7/392.1, 393, 396.2, 397, 398, 399, 443, D7/447, 449, 509, 510, 511, 629; D9/443, D9/447, 450, 451, 452, 453, 503, 504, 523, D9/527, 552, 561, 761; 222/475.1, 465.1; 215/387, 388, 11.1, 41

CPC A47G 19/00
See application file for complete search history.

(56) **References Cited**

U.S. PATENT DOCUMENTS

2,055,096 A 10/1932 Dehn et al.
D102,574 S 12/1936 Nelson
D110,140 S * 6/1938 Gamble D7/392
D121,154 S 6/1940 Bernhardt

Primary Examiner — Robert M Spear
Assistant Examiner — Kendra L Hamilton

(74) *Attorney, Agent, or Firm* — Klein, O’Neill & Singh, LLP

(57) **CLAIM**

The ornamental design for a pitcher top, as shown and described.

DESCRIPTION

FIG. 1 is a top, front and side perspective view of a pitcher top embodying the new design.

FIG. 2 is a top, back and side perspective view thereof.

FIG. 3 is a front view thereof.

FIG. 4 is a back view thereof.

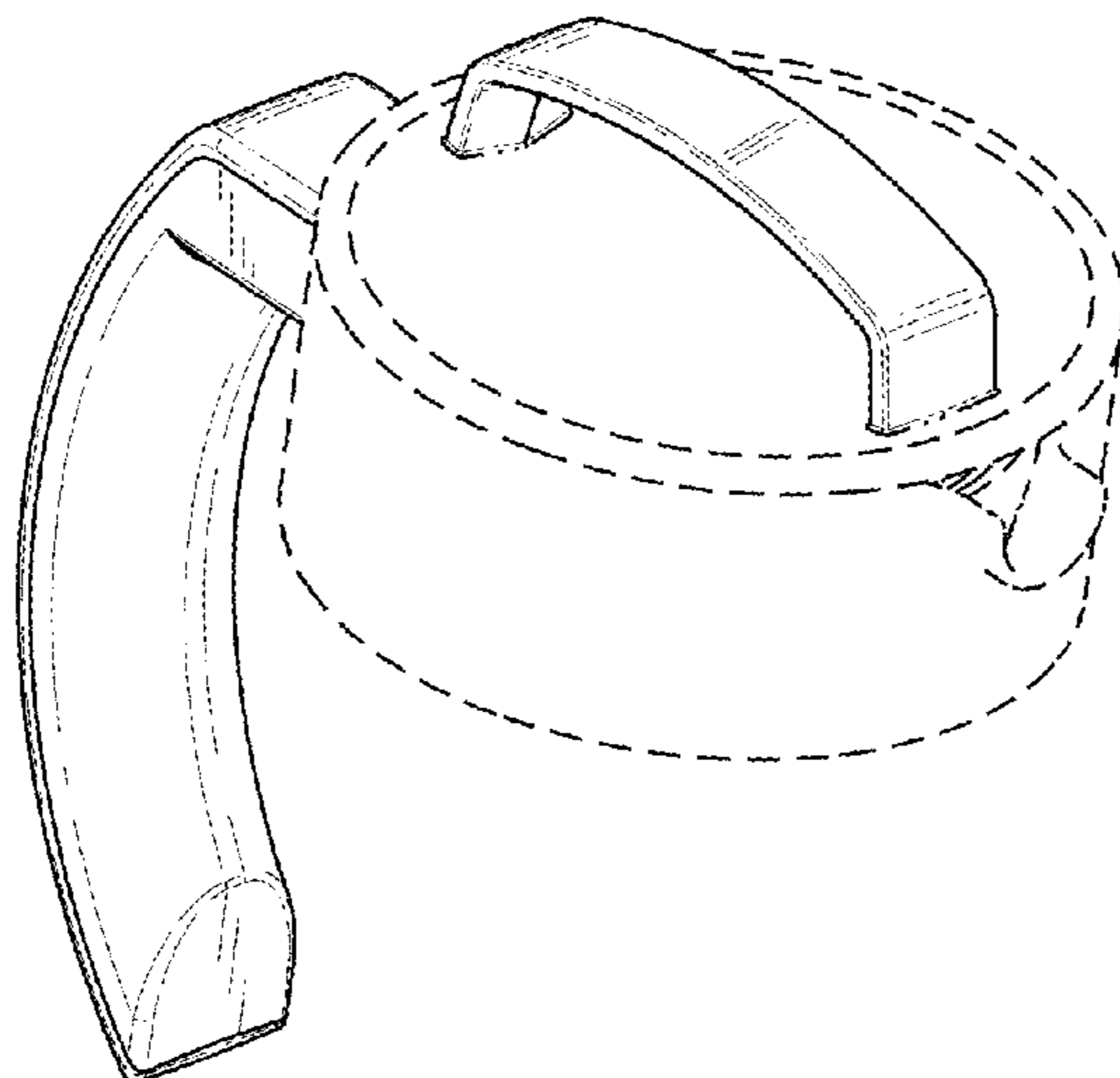
FIG. 5 is a side view thereof, the opposite side being a mirror image.

FIG. 6 is a top view thereof; and,

FIG. 7 is a bottom view thereof.

Broken lines are used to illustrate features of the pitcher top which form no part of the claimed design. The dot-dot-dash line is used to illustrate a boundary of the claim and forms no part of the claimed design.

1 Claim, 4 Drawing Sheets



(56)

References Cited

U.S. PATENT DOCUMENTS

3,463,947 A 8/1969 Taylor
 D216,370 S 12/1969 Tsoo-Hing et al.
 3,844,450 A 10/1974 Johnson
 D247,211 S 2/1978 Young
 D254,240 S * 2/1980 Morin D7/321
 4,276,992 A 7/1981 Susich
 4,487,114 A 12/1984 Abdenour
 4,492,323 A 1/1985 Essen
 D286,967 S 12/1986 Appel
 D301,296 S 5/1989 Hsu
 D302,370 S 7/1989 Gibert
 D306,547 S 3/1990 Wolfenden
 D308,460 S 6/1990 Balzano
 D311,475 S * 10/1990 Durand D7/317
 D313,726 S 1/1991 Scherer
 D316,206 S 4/1991 Daenen et al.
 D319,368 S 8/1991 Picozza et al.
 D320,350 S 10/1991 Fabiano
 D321,301 S 11/1991 Purkapile
 D323,093 S 1/1992 Picozza et al.
 D325,687 S 4/1992 Embree
 D338,367 S 8/1993 Fonville
 5,231,918 A 8/1993 Grzywna
 5,318,791 A 6/1994 Millman et al.
 5,363,745 A 11/1994 Lin
 5,477,979 A 12/1995 Goessling et al.
 D370,384 S 6/1996 Shamis
 5,531,353 A 7/1996 Ward et al.
 5,613,616 A 3/1997 Monus
 5,680,951 A 10/1997 Feltman, III et al.
 5,695,282 A * 12/1997 Hess A47J 43/27
 366/256
 D400,776 S * 11/1998 Prevot D8/301
 D406,006 S 2/1999 Hatsumoto et al.
 D406,011 S 2/1999 Hatsumoto et al.
 5,913,964 A 6/1999 Melton
 D427,846 S 7/2000 Hajwanie
 6,095,033 A 8/2000 Melton
 6,231,226 B1 5/2001 Neidigh
 D446,681 S 8/2001 Weibel
 6,269,736 B1 8/2001 Melton
 6,276,262 B1 8/2001 Chen
 D448,995 S 10/2001 McDonald
 6,314,866 B1 11/2001 Melton
 6,372,270 B1 4/2002 Denny
 RE37,773 E 7/2002 Trombley
 6,442,961 B1 9/2002 Rosenberg et al.
 D473,092 S 4/2003 Heiberg et al.
 6,578,726 B1 6/2003 Schaefer
 D479,670 S * 9/2003 Webb D7/523
 D484,743 S 1/2004 Furlong
 D488,340 S * 4/2004 Zimmermann D7/317
 D490,266 S 5/2004 Imai
 6,752,287 B1 6/2004 Lin
 6,758,363 B2 7/2004 Stokes
 6,763,964 B1 7/2004 Hurlbut et al.
 D503,069 S 3/2005 Dilollo et al.

6,871,914 B2 3/2005 Stewart, Jr.
 D511,684 S 11/2005 Guyot
 7,032,507 B2 4/2006 Cai
 D530,590 S 10/2006 Singtoroj et al.
 7,195,137 B2 3/2007 Belcastro
 7,219,600 B1 5/2007 Haven et al.
 D560,951 S 2/2008 Appleton
 D569,324 S 5/2008 Gosnell et al.
 D569,618 S 5/2008 Kirk
 D571,145 S 6/2008 Rae
 D579,717 S 11/2008 Pawson et al.
 D586,178 S 2/2009 Ku
 D587,513 S 3/2009 Bodum
 D587,957 S 3/2009 Imai
 D592,123 S 5/2009 Cady
 D597,396 S 8/2009 Menzies
 D598,269 S * 8/2009 Hanes D8/317
 D598,747 S 8/2009 Caldwell
 D602,730 S 10/2009 Kino
 D612,237 S 3/2010 Richey
 7,753,223 B2 7/2010 Boozer et al.
 D620,747 S 8/2010 Taketani et al.
 7,779,751 B2 8/2010 Gilbert
 D629,645 S 12/2010 Chin et al.
 7,958,816 B2 * 6/2011 Lin A47J 31/02
 99/323
 7,992,487 B1 8/2011 Kahl
 8,025,169 B2 * 9/2011 Zimmerman A47G 19/2261
 220/23.86
 D652,685 S 1/2012 Carter
 D686,864 S * 7/2013 Poul D7/317
 8,561,834 B2 10/2013 Ziegler
 D699,509 S 2/2014 El-Saden
 D713,672 S 9/2014 Ho
 D728,999 S * 5/2015 Barberi D7/394
 2003/0080048 A1 5/2003 Lin
 2004/0261631 A1 12/2004 Lee
 2005/0133545 A1 6/2005 Find
 2006/0185521 A1 8/2006 Publicover et al.
 2009/0178573 A1 7/2009 Pan
 2010/0263549 A1 10/2010 Lee
 2011/0056386 A1 3/2011 Taketani
 2011/0162532 A1 7/2011 Gilbert
 2011/0219956 A1 9/2011 Englert et al.
 2012/0225175 A1 9/2012 Lown

OTHER PUBLICATIONS

“Bormioli Rocco Frigoverre Jug with Hermetic Lid”. Found online Sep. 2, 2015 at amazon.com. Page dated Jul. 5, 2005. Retrieved from http://www.amazon.com/Bormioli-Rocco-Frigoverre-Hermetic-2-Liters/dp/B0000DE9B5/ref=cm_cr_pr_product_top?ie=UTF8.
 “Glass Pitcher with Lid”. Found online Sep. 2, 2015 at montessoriservices.com. Page dated Jun. 20, 2010. Retrieved from <http://www.montessoriservices.com/glass-pitcher-with-lid>.
 International Search Report and Written Opinion for International Application No. PCT/US2012/027695, Notification mailed Oct. 19, 2012.

* cited by examiner

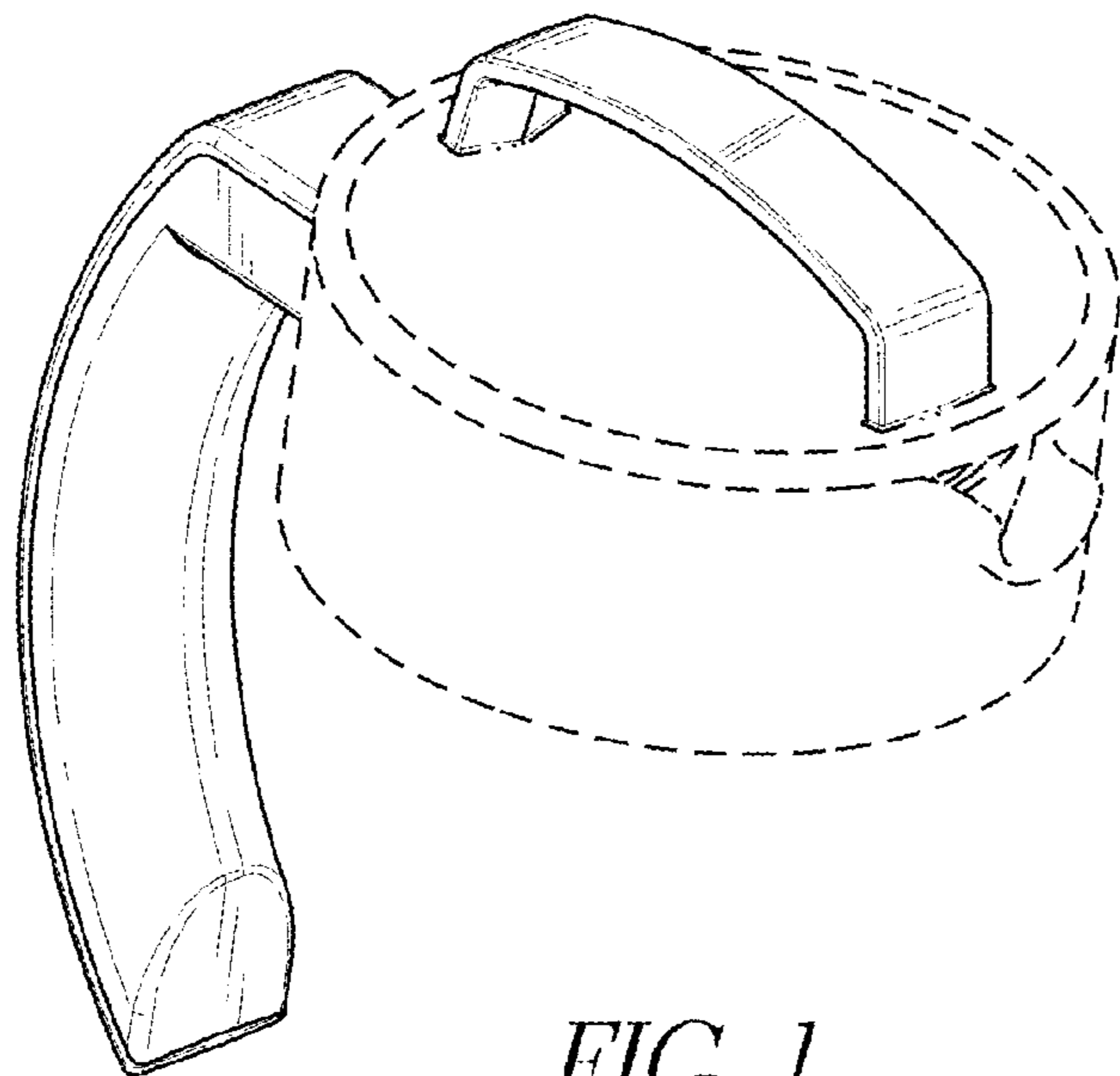


FIG. 1

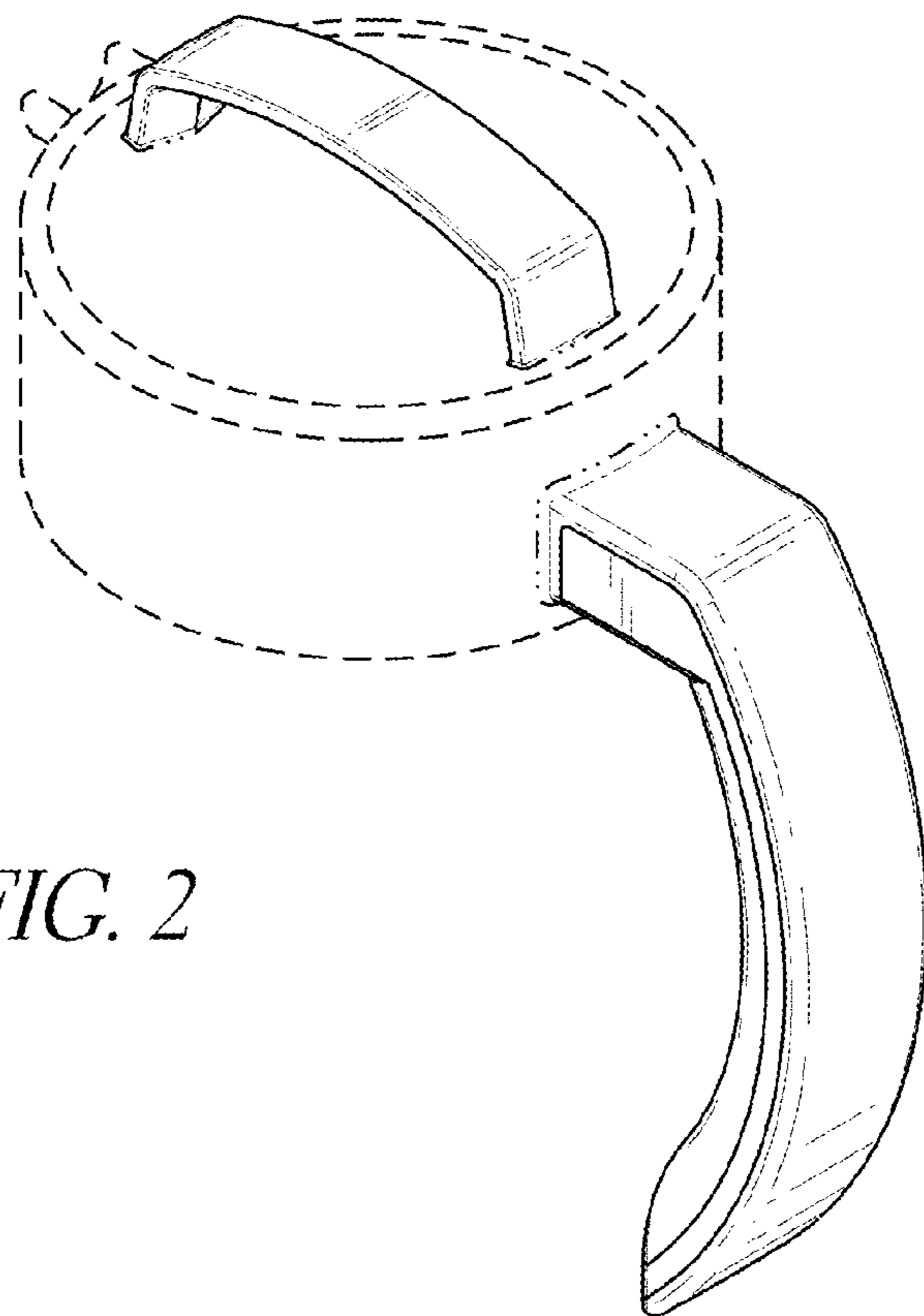


FIG. 2

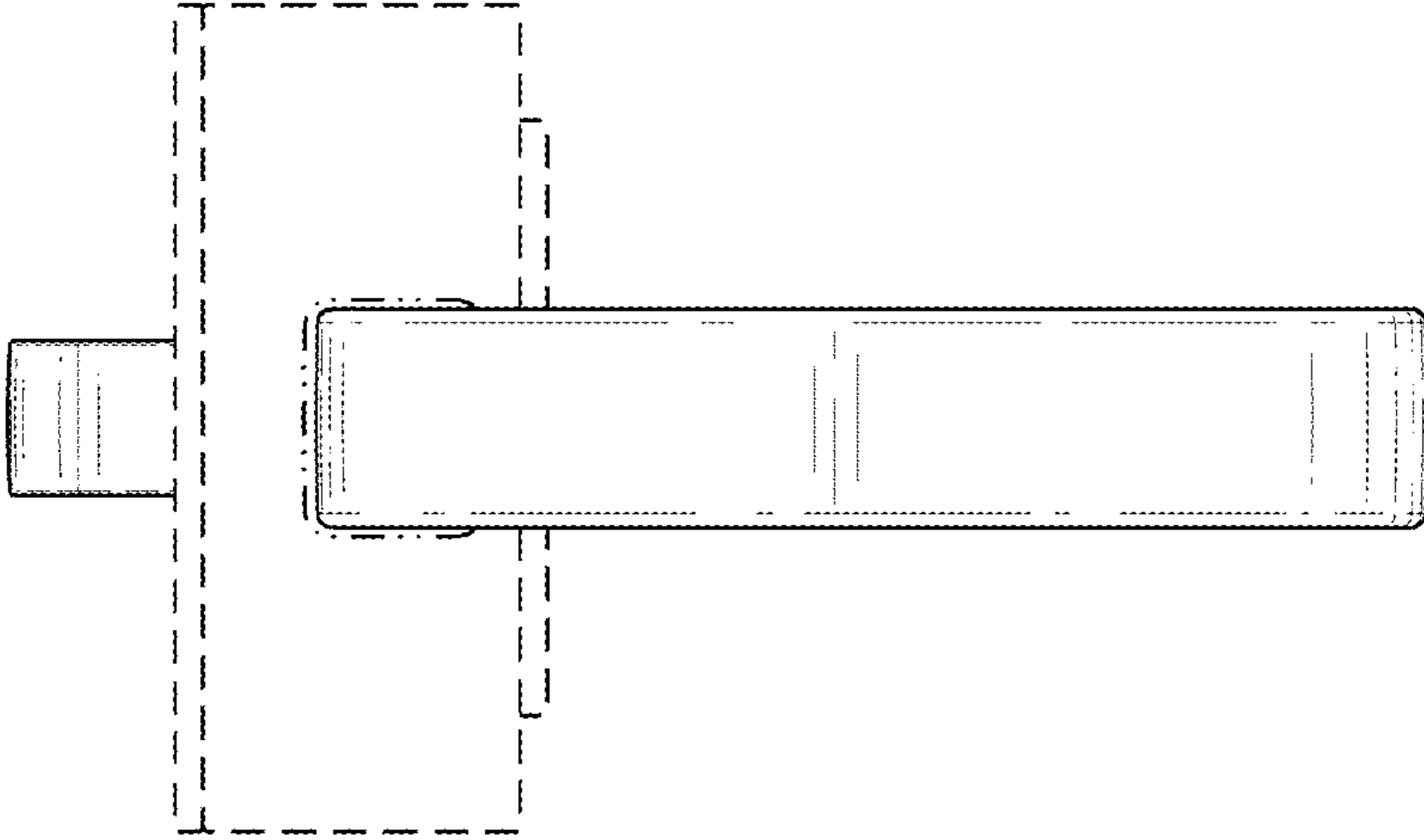


FIG. 4

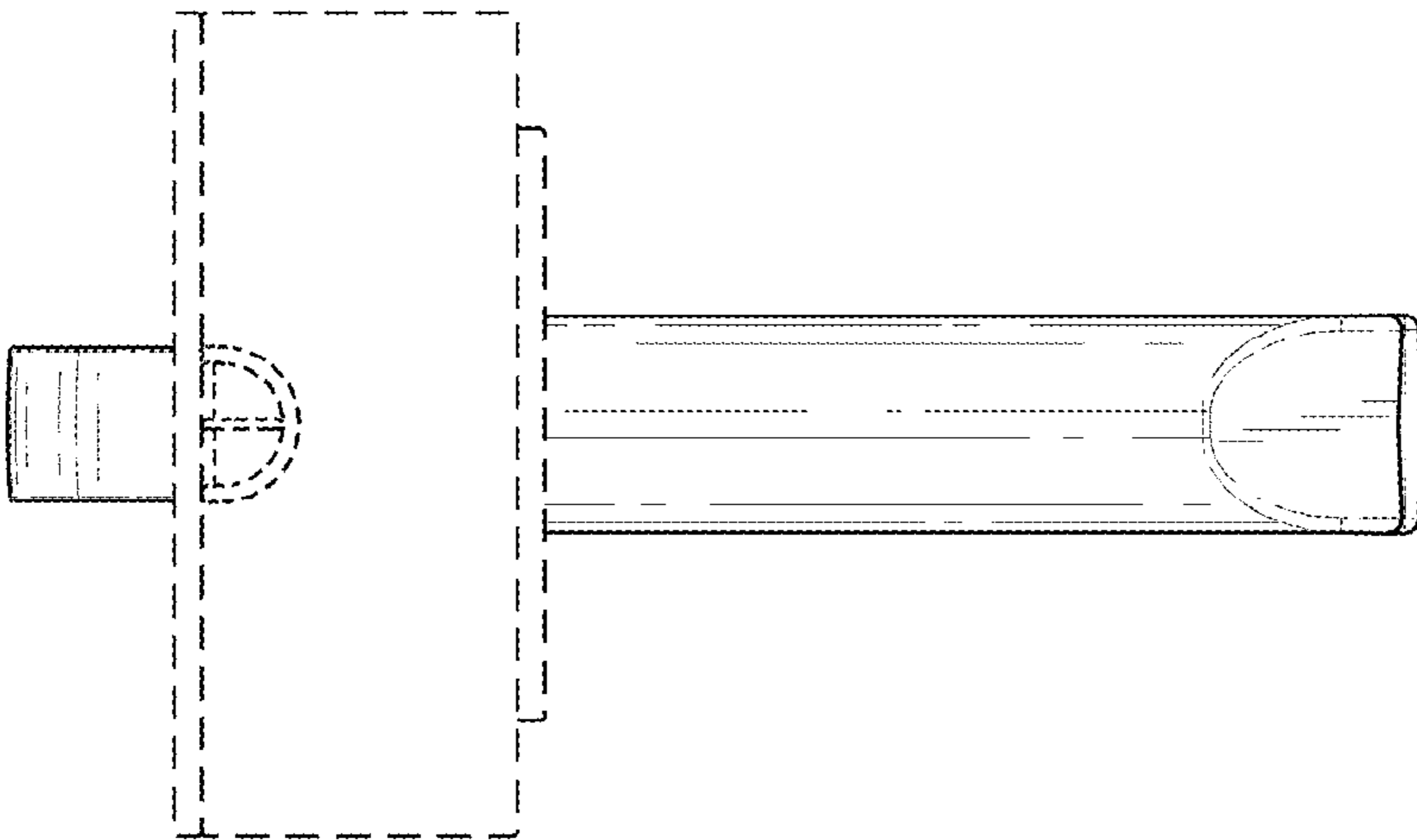


FIG. 3

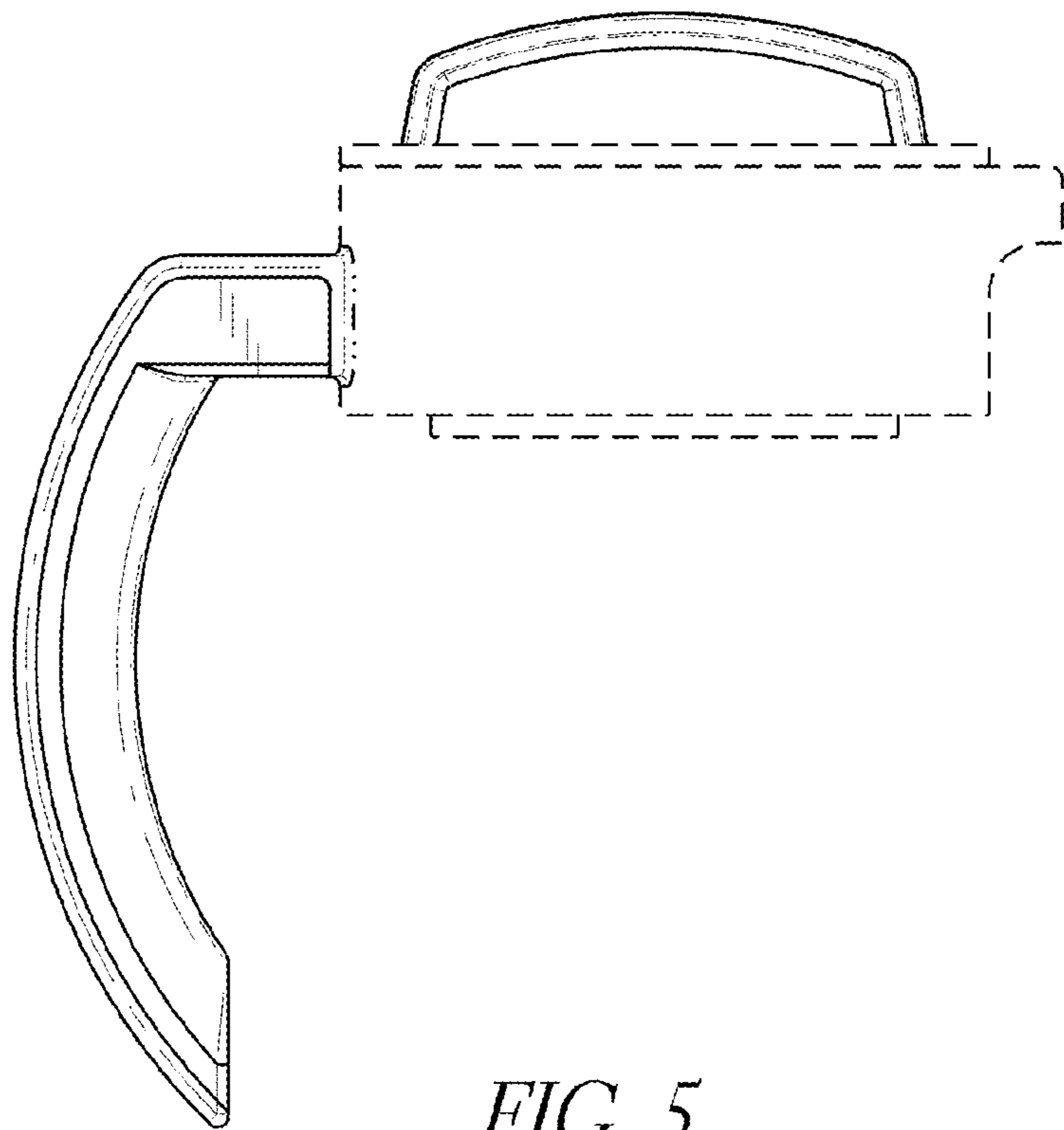


FIG. 5

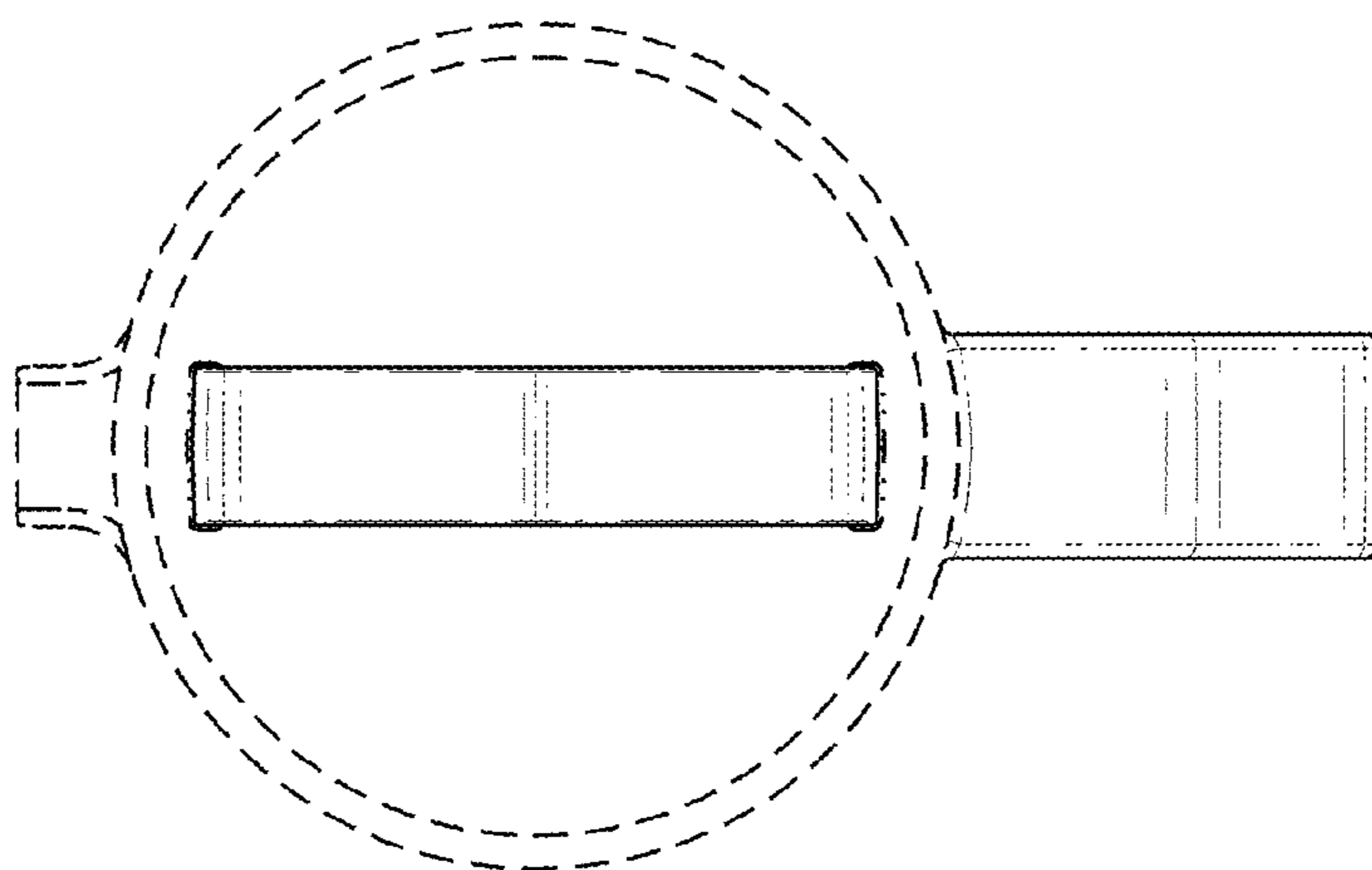


FIG. 6

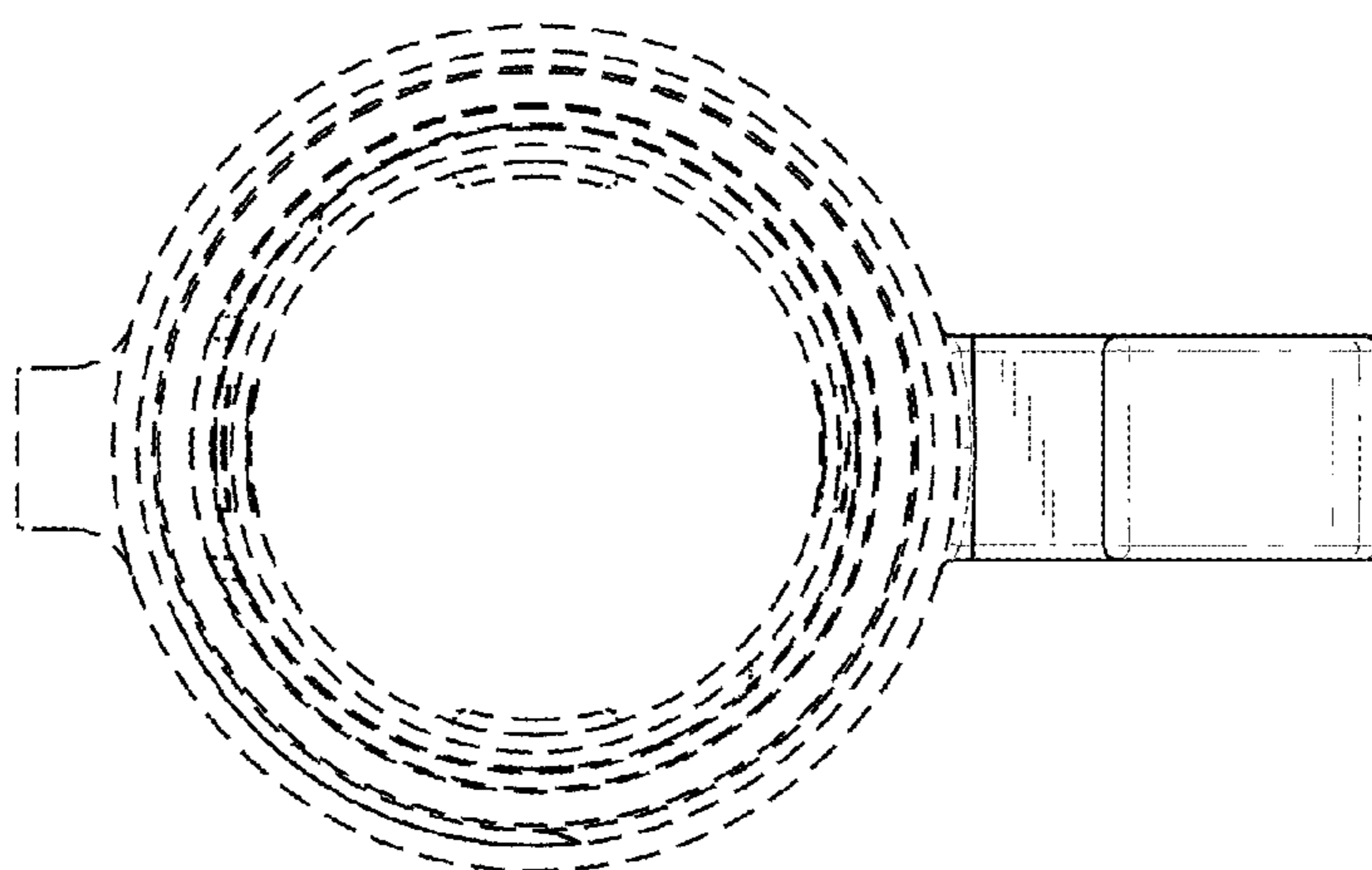


FIG. 7