



US00D758791S

(12) **United States Design Patent**
Hanna et al.

(10) **Patent No.:** **US D758,791 S**
(45) **Date of Patent:** **** Jun. 14, 2016**

(54) **CAP FOR A CONTAINER**

(71) Applicant: **Cool Gear International, LLC**,
Plymouth, MA (US)
(72) Inventors: **Marcus Hanna**, South Boston, MA
(US); **Donna Roth**, Duxbury, MA (US);
John D. Mason, Brockton, MA (US)

(73) Assignee: **Cool Gear Internationals, LLC**,
Plymouth, MA (US)

(**) Term: **14 Years**

(21) Appl. No.: **29/490,817**

(22) Filed: **May 13, 2014**

(51) **LOC (10) Cl.** **07-01**

(52) **U.S. Cl.**
USPC **D7/392.1; D9/447**

(58) **Field of Classification Search**
USPC D9/434, 435, 436, 438, 440, 443, 446,
D9/447, 449, 451, 499; D7/392.1, 396.2,
D7/510
CPC B65D 43/16; B65D 43/26; B65D 51/00
See application file for complete search history.

(56) **References Cited**

U.S. PATENT DOCUMENTS

D422,916 S * 4/2000 Herrmann D9/443
D479,800 S * 9/2003 McRae D9/443
D572,585 S * 7/2008 Perrin D9/443
D616,743 S * 6/2010 Cresswell D9/443

D621,258 S * 8/2010 Gullickson D9/443
D631,666 S * 2/2011 Lim D4/129
D656,840 S * 4/2012 Tacconi D9/443
D657,195 S * 4/2012 Menceles D7/510
D693,170 S * 11/2013 Rosbach D7/392.1
D708,954 S * 7/2014 Barnes D9/443
D729,579 S * 5/2015 Molayem D7/510
D747,924 S * 1/2016 Roth D23/207

* cited by examiner

Primary Examiner — Robert M Spear

(74) *Attorney, Agent, or Firm* — Mintz Levin Cohn Ferris
Glovsky and Popeo, P.C.; Steven M. Jensen; Richard B.
Emmons

(57) **CLAIM**

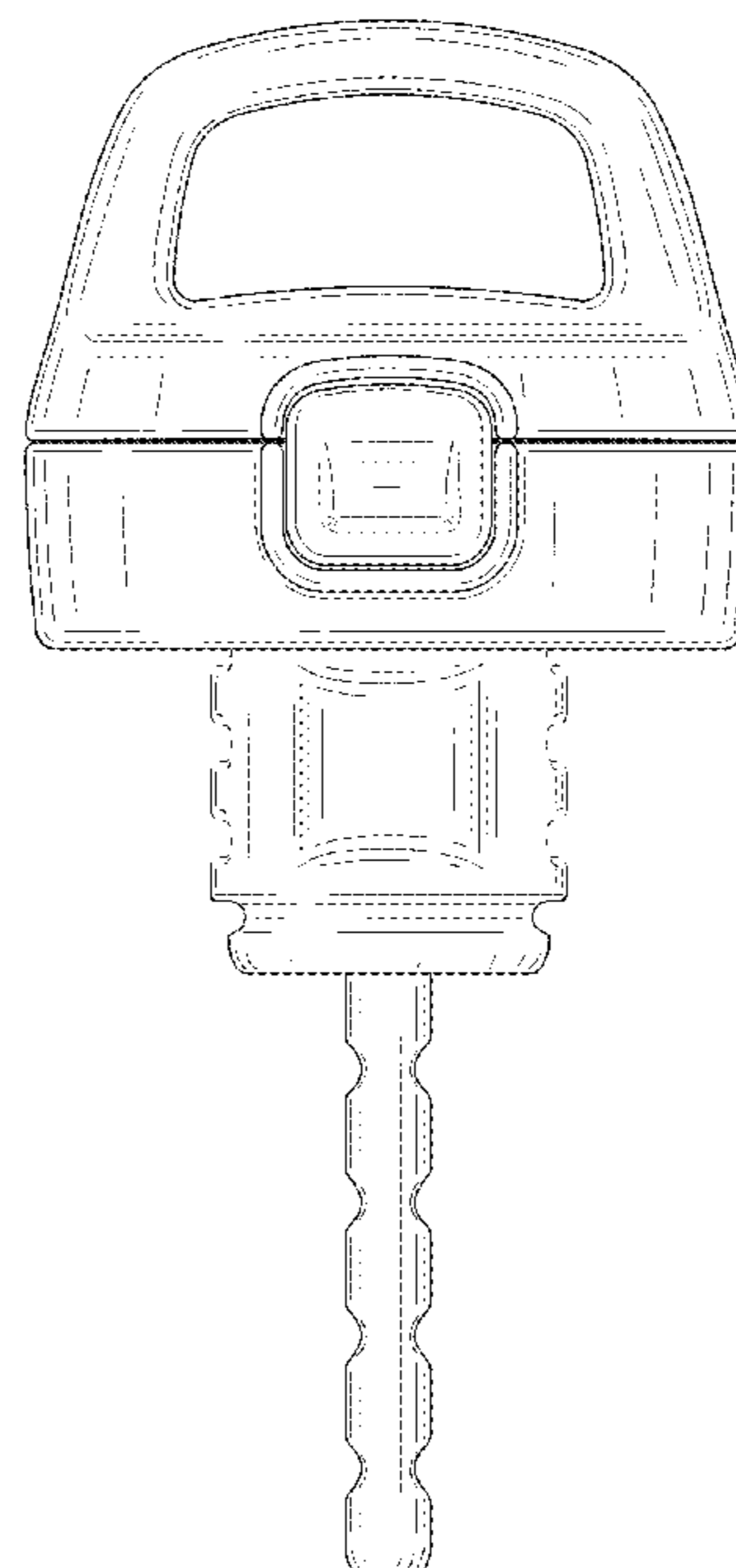
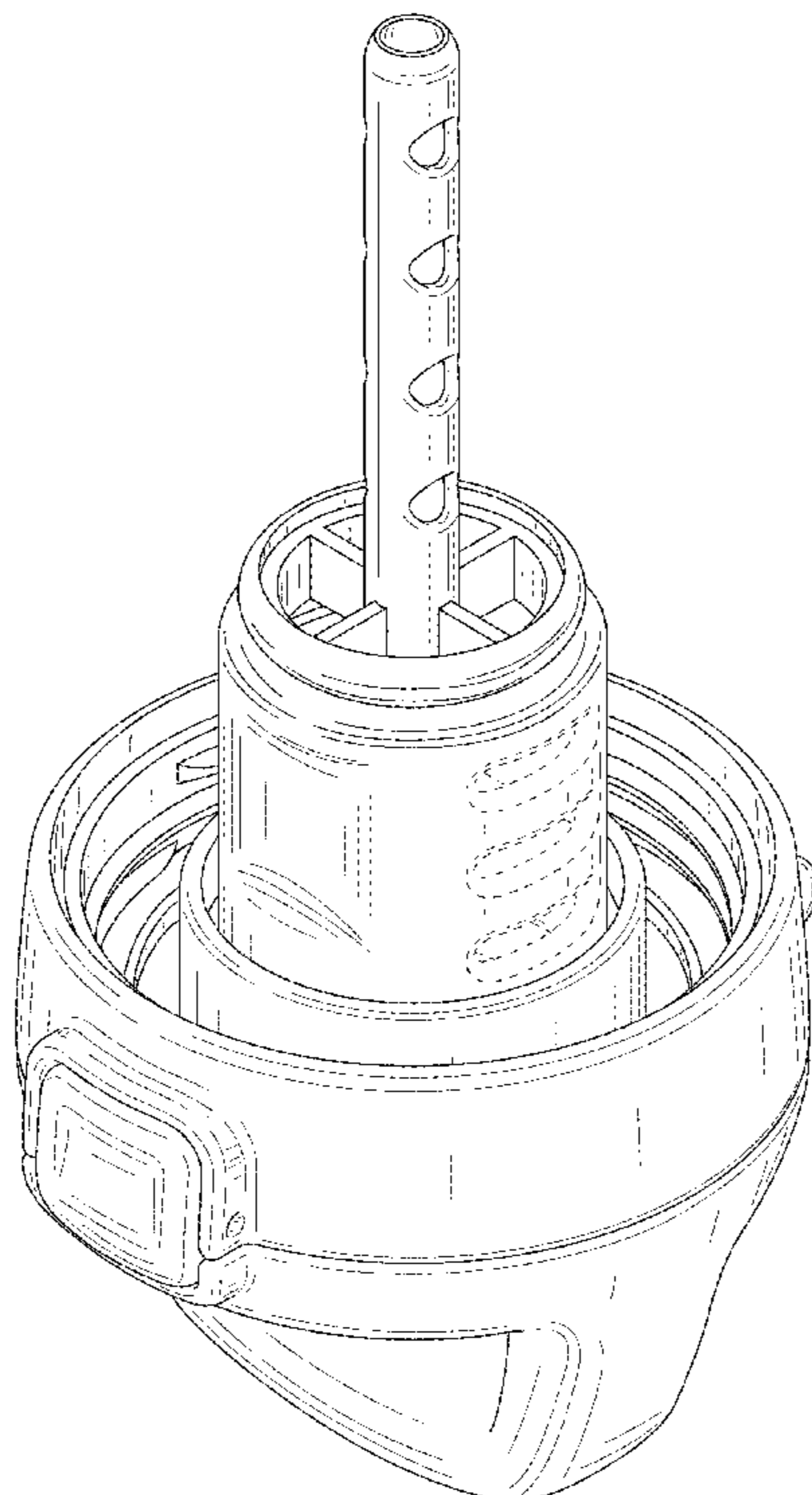
The ornamental design for a cap for a container, as shown and
described.

DESCRIPTION

FIG. 1 is an upside-down perspective view of the cap for a
container of the subject disclosure;
FIG. 2 is a left side view of the cap for a container of FIG. 1;
FIG. 3 is a right side view of the cap for a container of FIG. 1;
FIG. 4 is a rear view of the cap for a container of FIG. 1;
FIG. 5 is a front view of the cap for a container of FIG. 1;
FIG. 6 is a top down view of the cap for a container of FIG. 1;
and,
FIG. 7 is a bottom up view of the cap for a container of FIG.
1.

The broken lines shown in the drawings depict environmental
subject matter only and do not form part of the claimed
design.

1 Claim, 6 Drawing Sheets



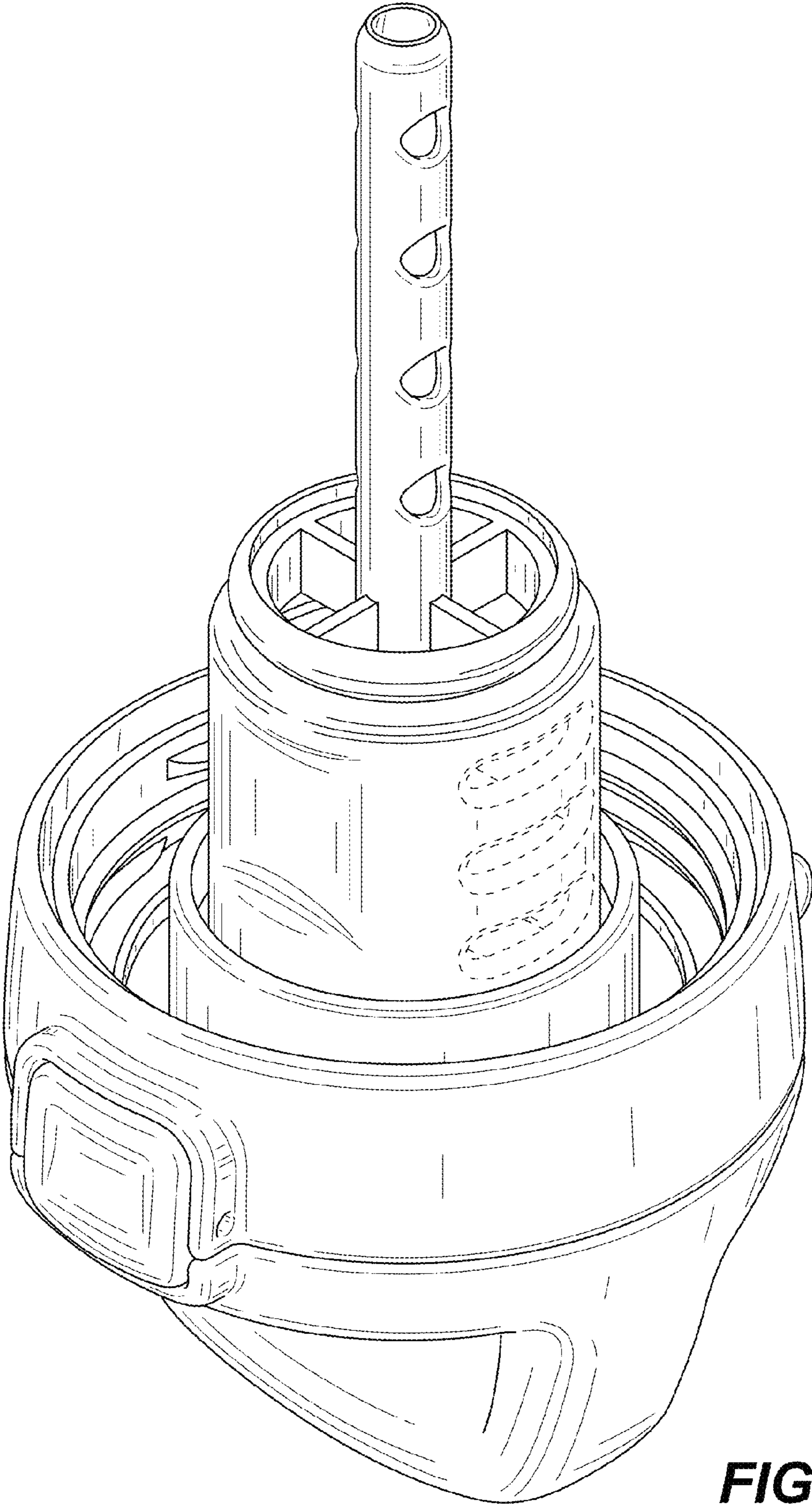


FIG. 1

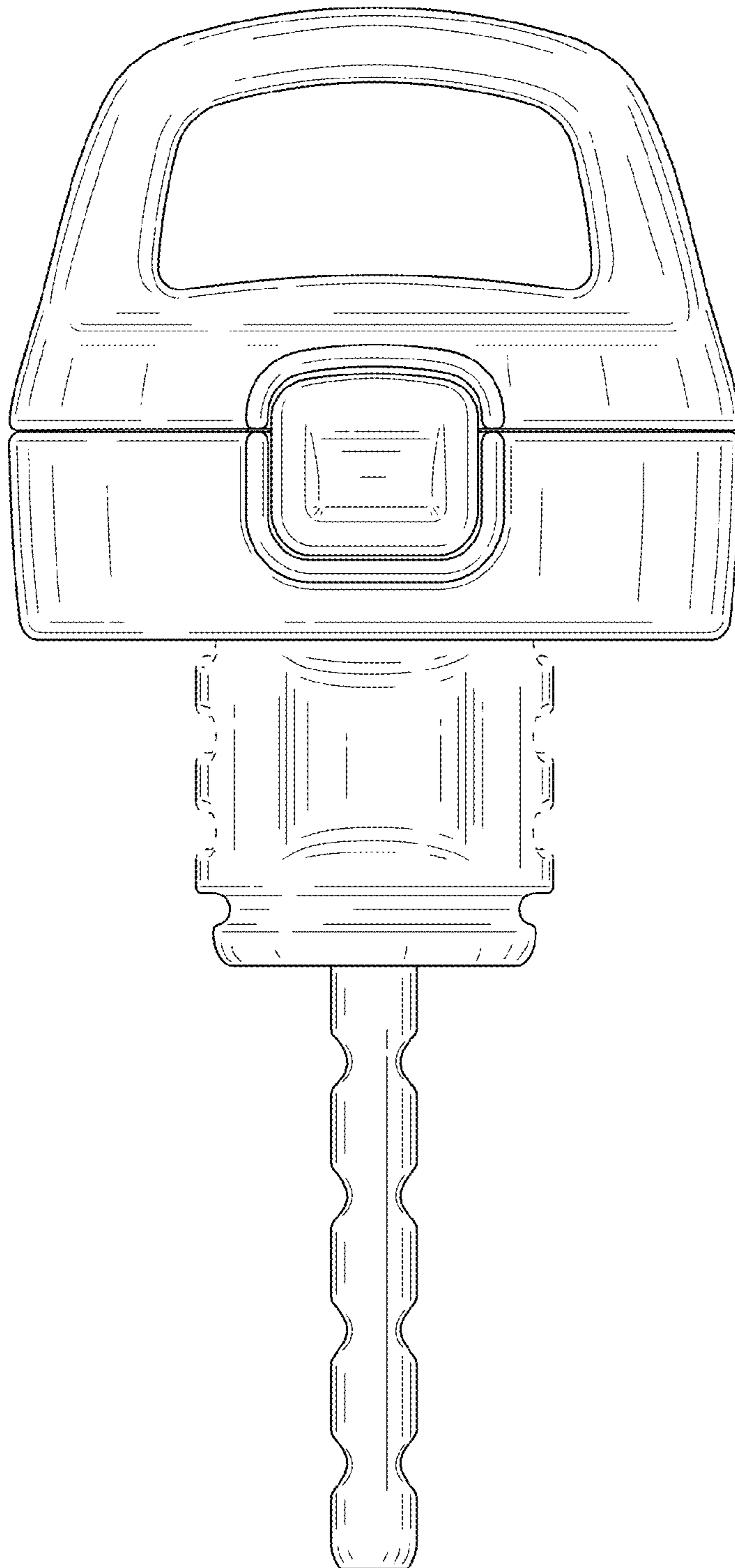


FIG. 2

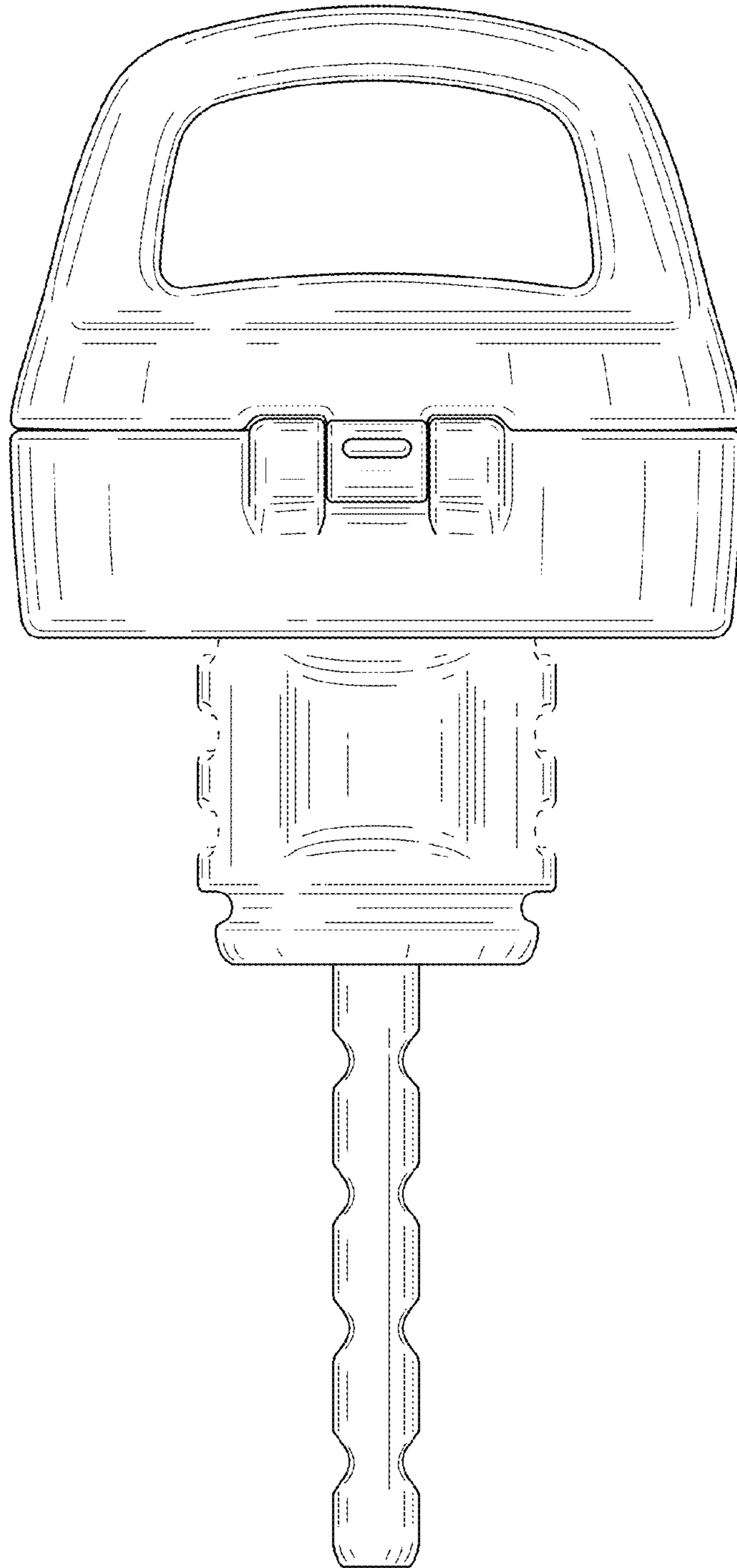


FIG. 3

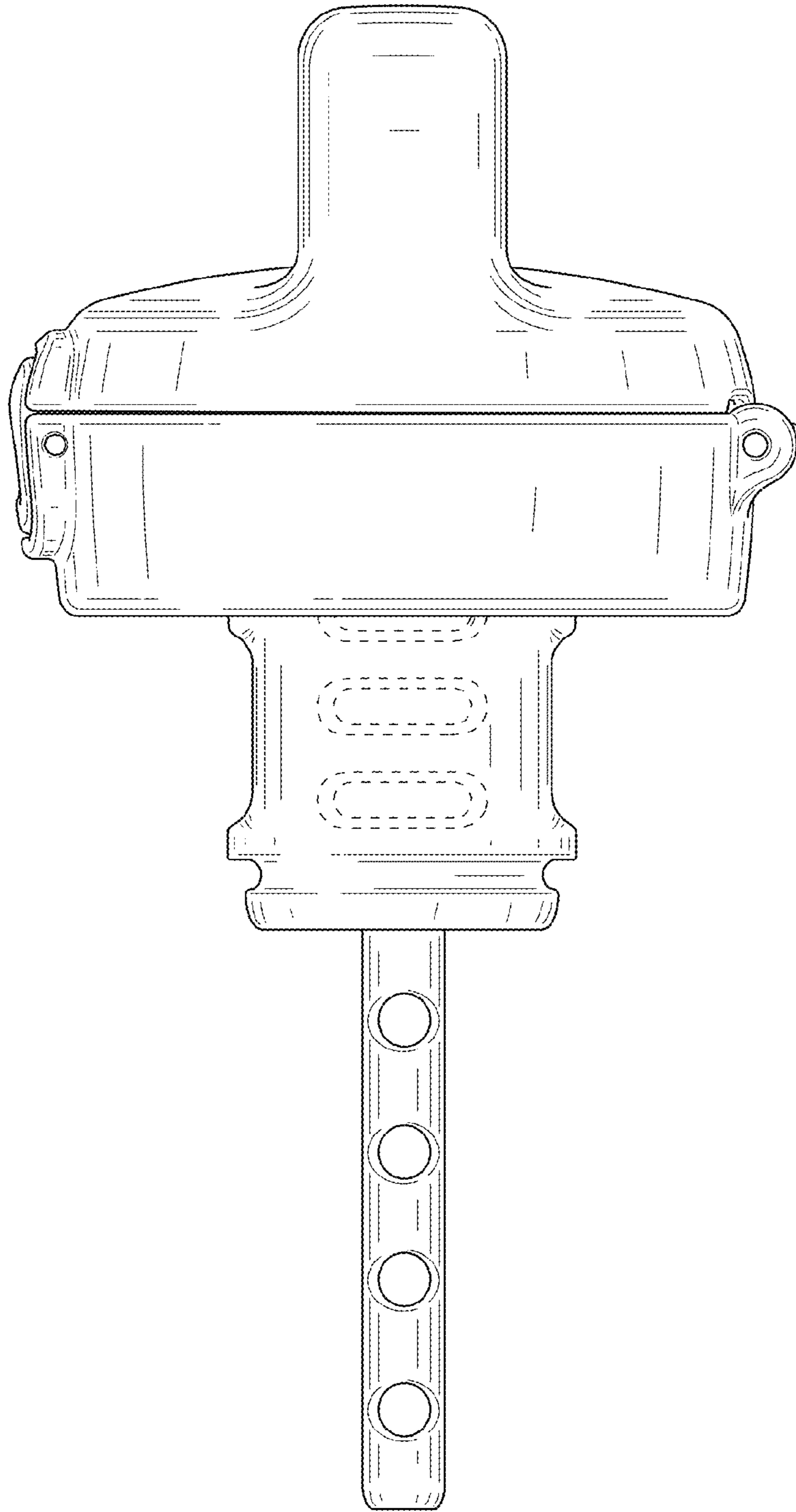


FIG. 4

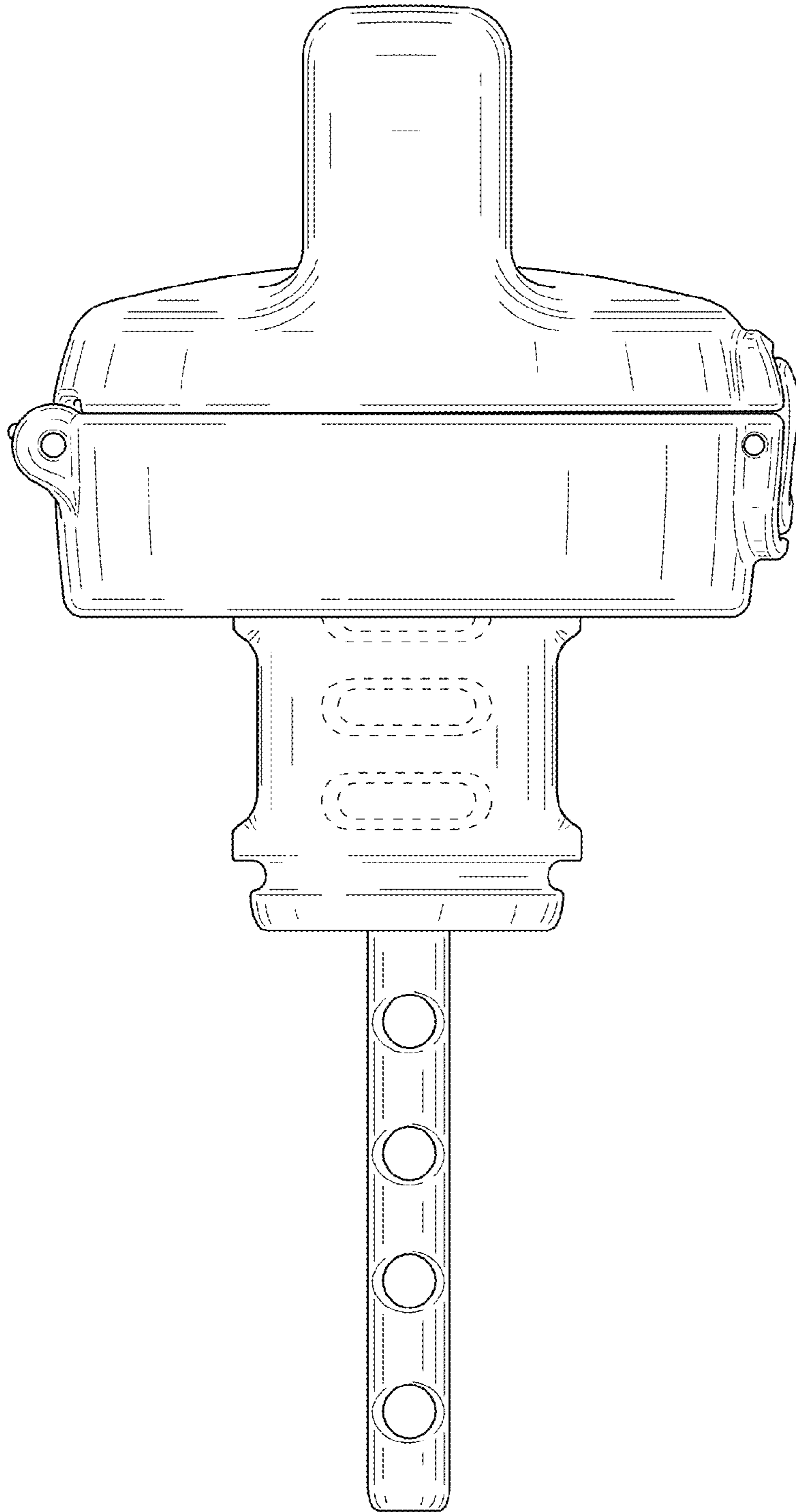


FIG. 5

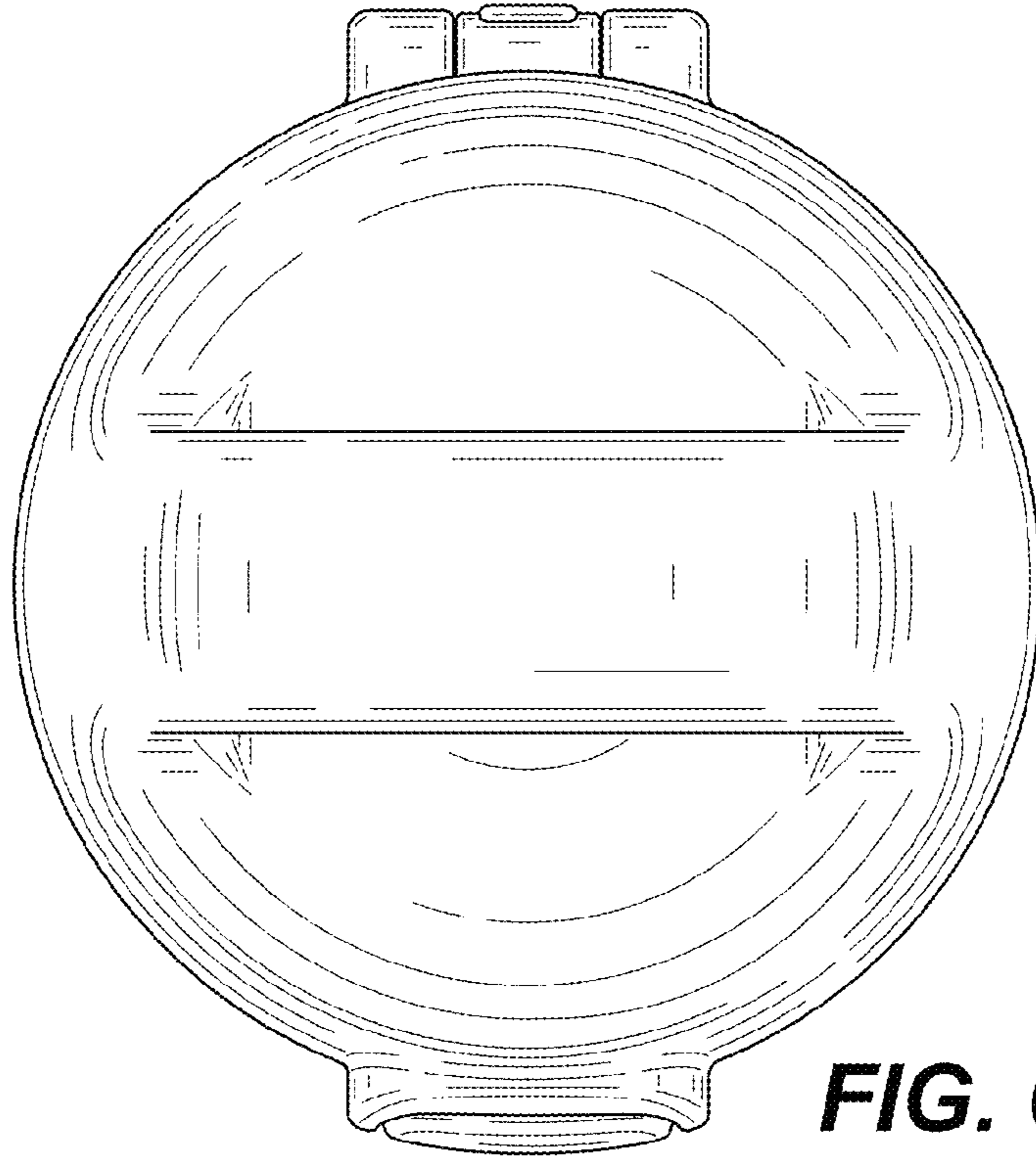


FIG. 6

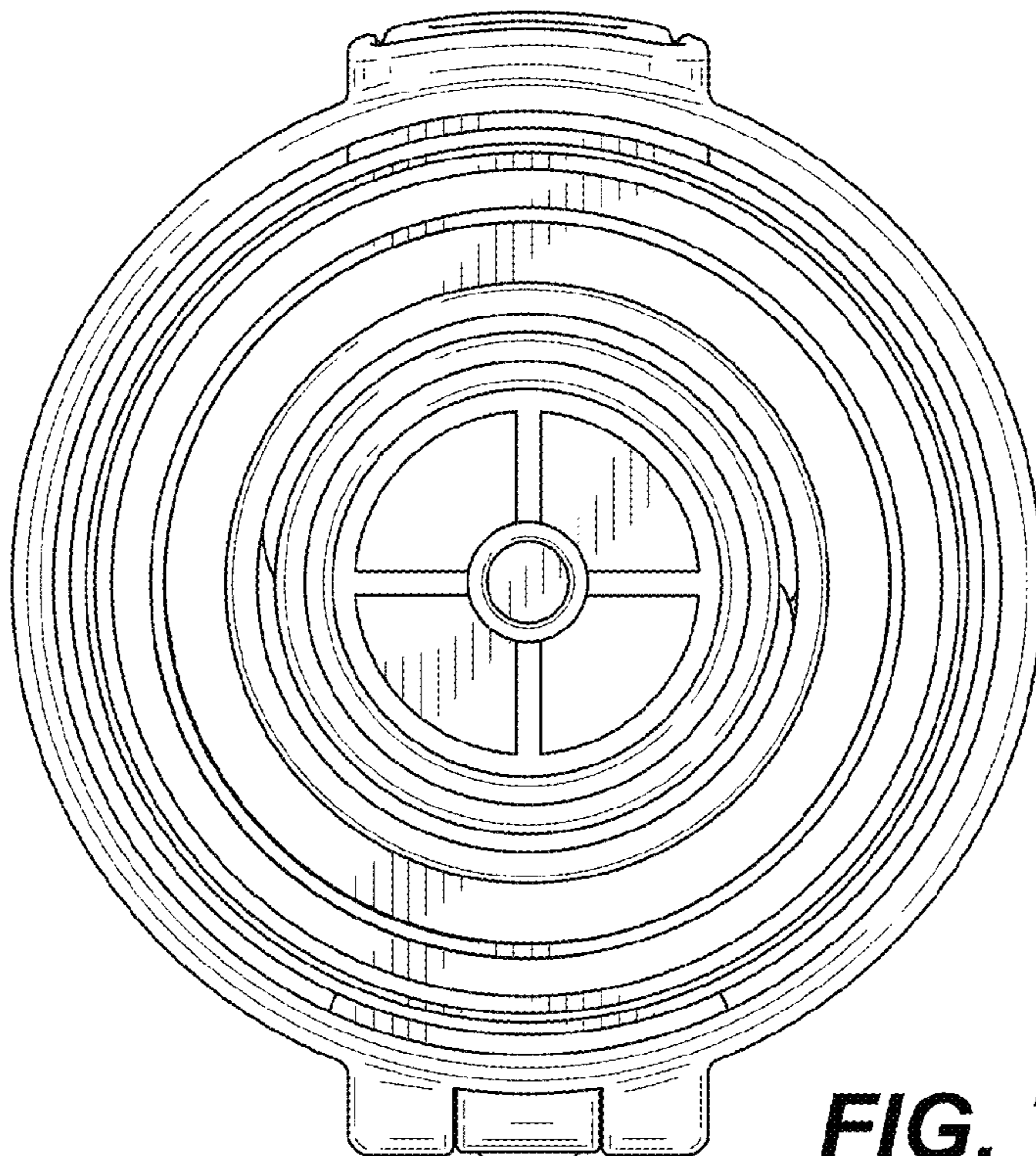


FIG. 7