



US00D758790S

(12) **United States Design Patent**
Boroski

(10) **Patent No.:** **US D758,790 S**
(45) **Date of Patent:** **** Jun. 14, 2016**

- (54) **LID**
- (71) Applicant: **Dwayne Boroski**, Lake in the Hills, IL (US)
- (72) Inventor: **Dwayne Boroski**, Lake in the Hills, IL (US)
- (73) Assignee: **Thermos L.L.C.**, Schaumburg, IL (US)
- (**) Term: **14 Years**
- (21) Appl. No.: **29/488,579**
- (22) Filed: **Apr. 21, 2014**
- (51) **LOC (10) Cl.** **07-01**
- (52) **U.S. Cl.**
USPC **D7/392.1; D7/396.2**
- (58) **Field of Classification Search**
USPC D7/319, 391, 392, 392.1, 393, 396.2, D7/397, 398, 509, 510, 511; D9/435, 436, D9/440, 447, 450, 503, 504, 516, 761; 215/41, 224, 329, 386, 387, 388, 392, 215/396; 220/254.8, 700, 703, 705, 710, 220/711, 715; 222/465.1, 475.1
CPC A47G 19/2272
See application file for complete search history.

(56) **References Cited**

U.S. PATENT DOCUMENTS

D374,399 S *	10/1996	Neveras	D9/442
D451,023 S *	11/2001	Kitamura	D9/449
D528,862 S *	9/2006	Li	D7/510
D596,460 S *	7/2009	Nezu	D7/510
D608,640 S *	1/2010	Carreno	D9/449
D655,580 S *	3/2012	Kotani	D7/608
D675,059 S *	1/2013	Carreno	D7/392.1
D675,865 S *	2/2013	Wahl	D7/392.1
D718,626 S *	12/2014	Lane	D9/449
D720,574 S *	1/2015	Boroski	D7/510

2009/0159552 A1*	6/2009	Cano-Pey	B65D 47/0828 215/235
2013/0319966 A1*	12/2013	Lane	B65D 43/26 215/237
2015/0225141 A1*	8/2015	Mackenzie	B65D 47/0871 215/237

OTHER PUBLICATIONS

“Thermos Vacuum Insulated 18-Ounce Stainless Steel Hydration Bottle”. Found online Aug. 10, 2015 at amazon.com. Page dated Sep. 17, 2008. Retrieved from http://www.amazon.com/Thermos-Insulated-18-Ounce-Stainless-Steel-Hydration/dp/B000FJ9DOK/ref=cm_cr_pr_product_top?ie=UTF8.*

“Brian’s Thermos—STL Solidworks—3D CAD model”. Found online Aug. 10, 2015 at grabcad.com. Page dated Jan. 25, 2012. Retrieved from <https://grabcad.com/library/brian-s-thermos>.*

* cited by examiner

Primary Examiner — Robert M Spear
Assistant Examiner — Kendra L Hamilton
 (74) *Attorney, Agent, or Firm* — Polsinelli PC

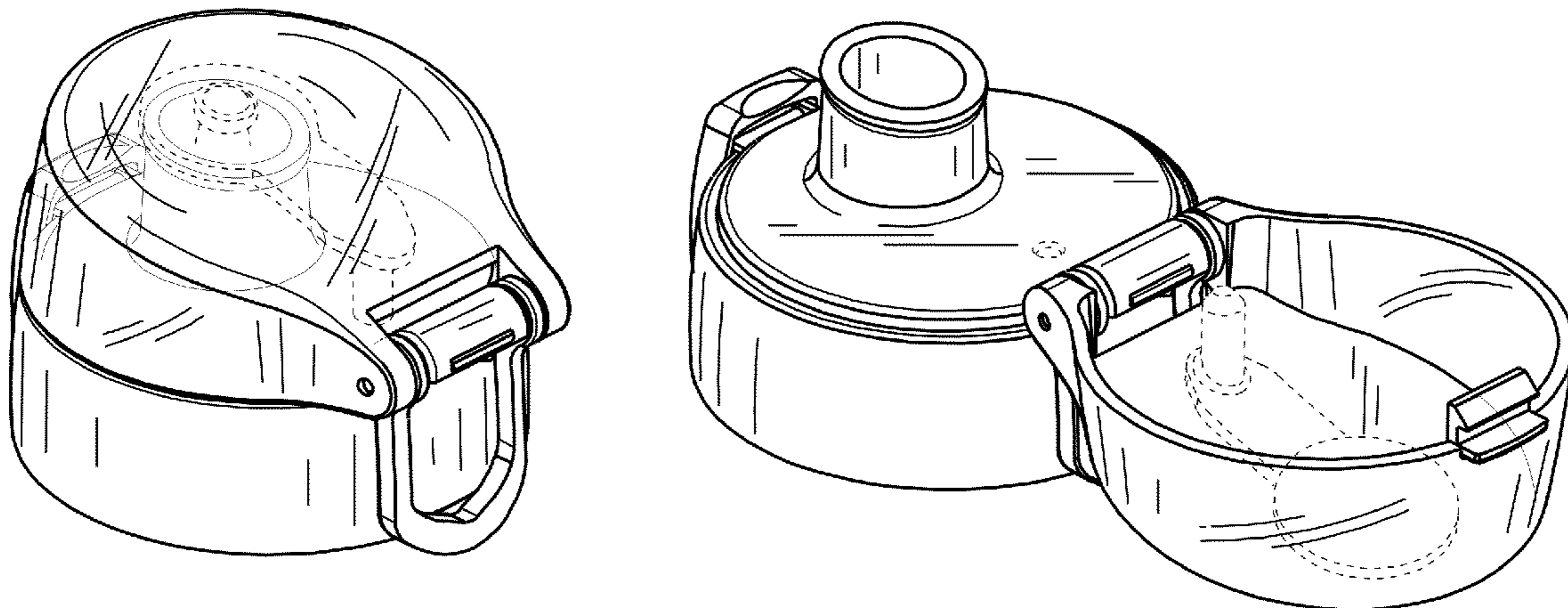
(57) **CLAIM**

The ornamental design for a lid, as shown and described.

DESCRIPTION

FIG. 1 is a perspective view of the lid;
 FIG. 2 is a right side view of the lid;
 FIG. 3 is a rear view of the lid;
 FIG. 4 is a left side view of the lid;
 FIG. 5 is a front view of the lid;
 FIG. 6 is a top view of the lid;
 FIG. 7 is a bottom view of the lid; and,
 FIG. 8 is a perspective view of the lid with the cap in the open position.
 The broken lines showing in the figures are included for the purpose of illustrating portions of the lid that form no part of the claimed design.

1 Claim, 4 Drawing Sheets



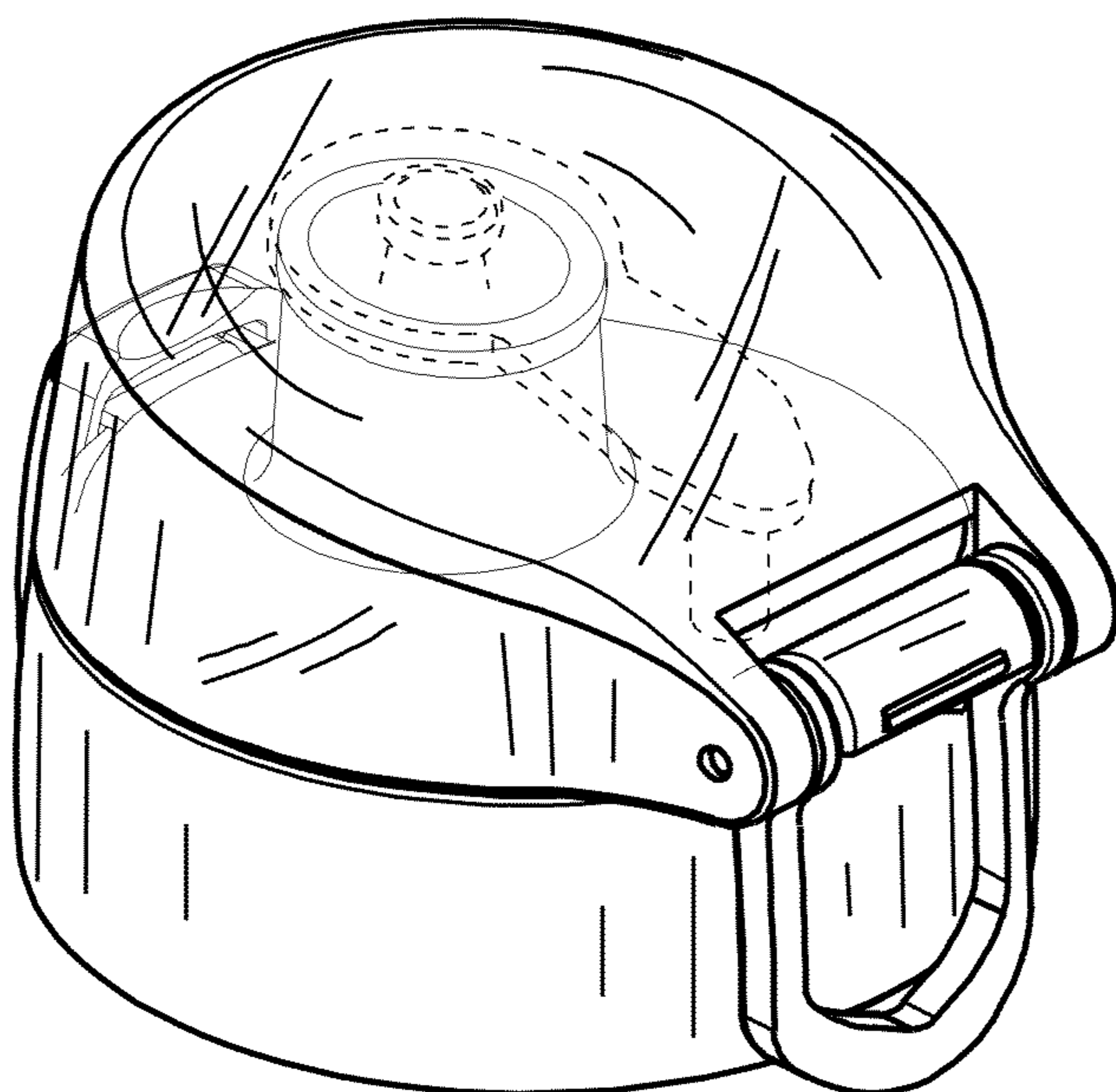


FIG. 1

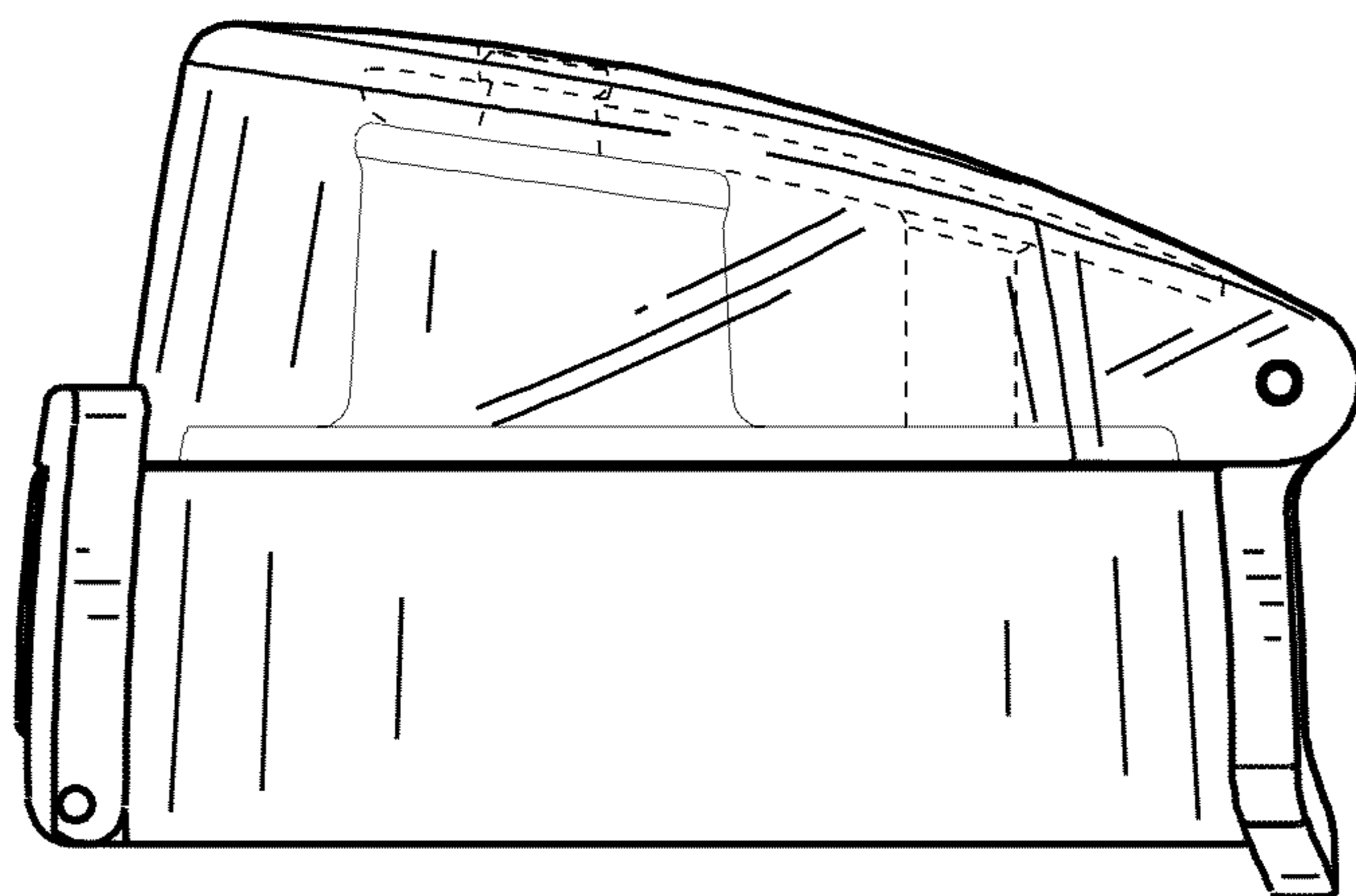


FIG. 2

FIG. 3

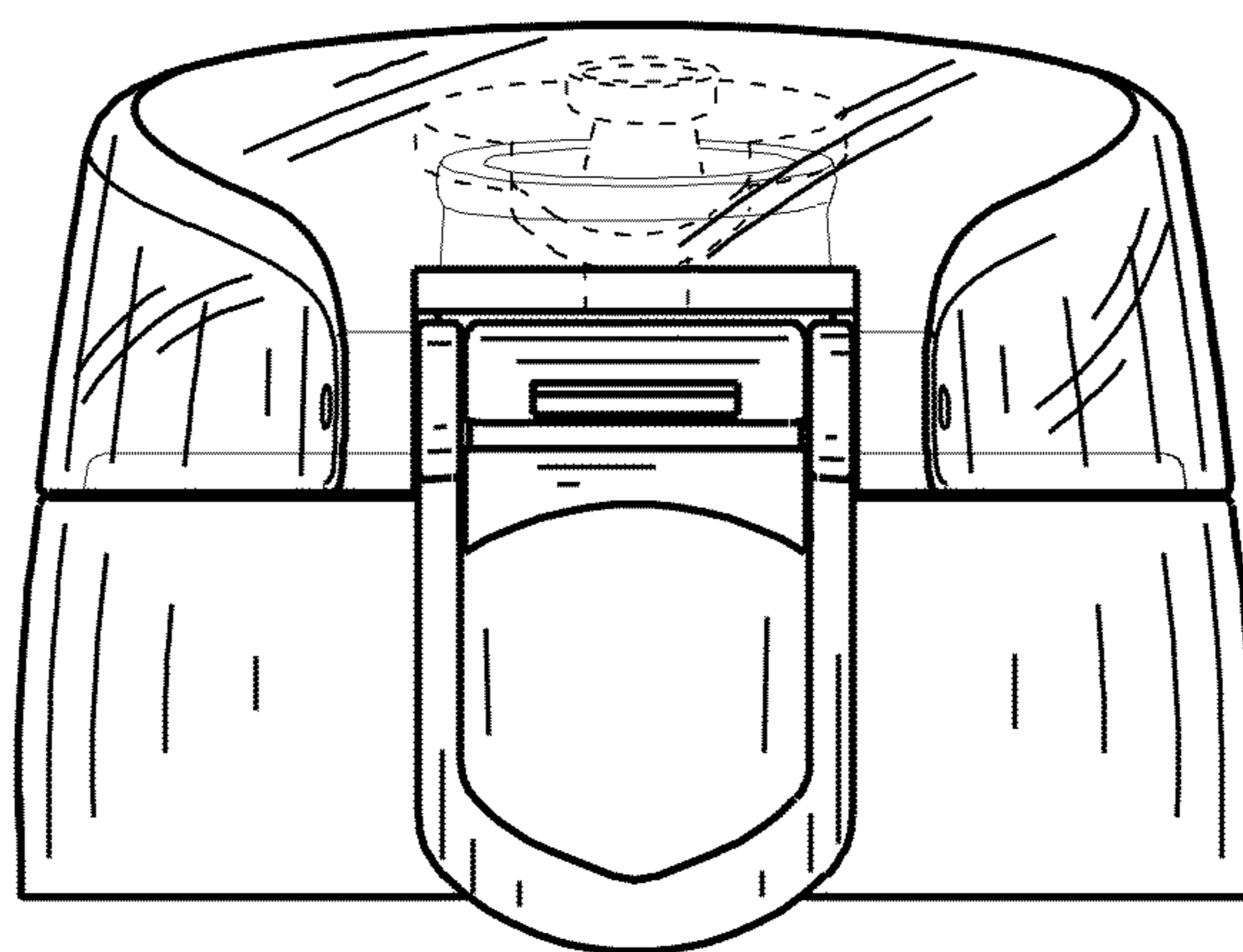


FIG. 4

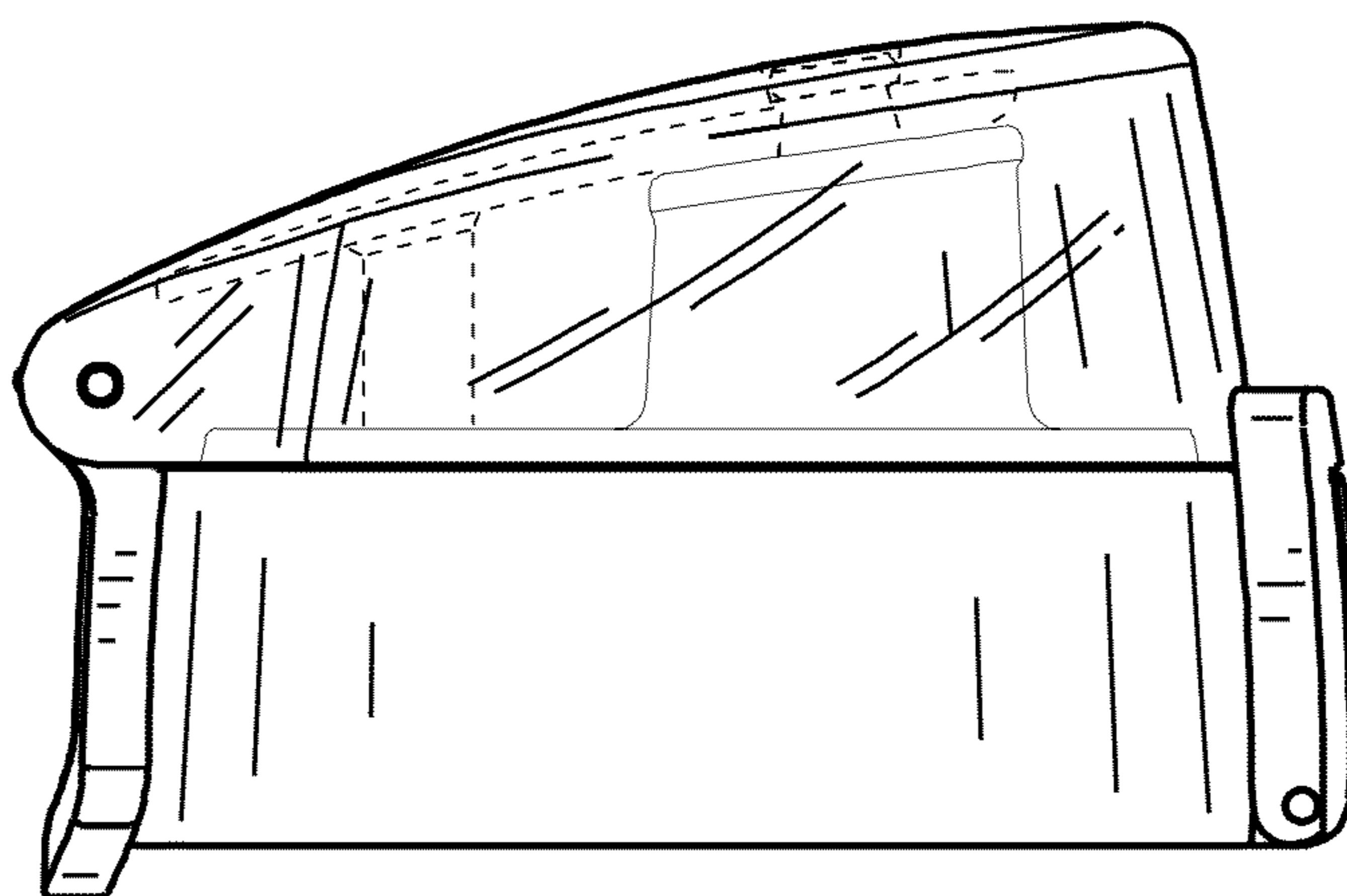
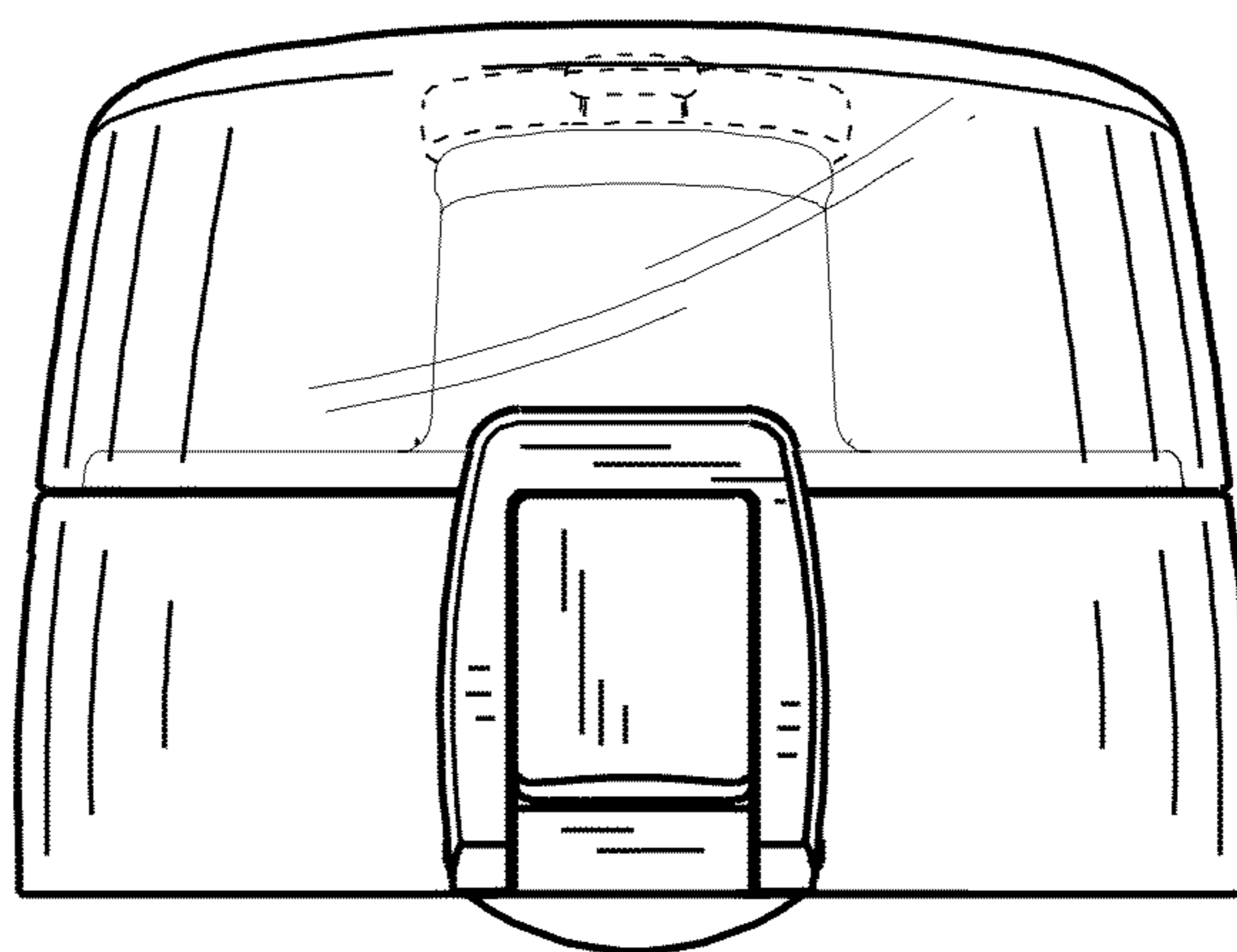


FIG. 5



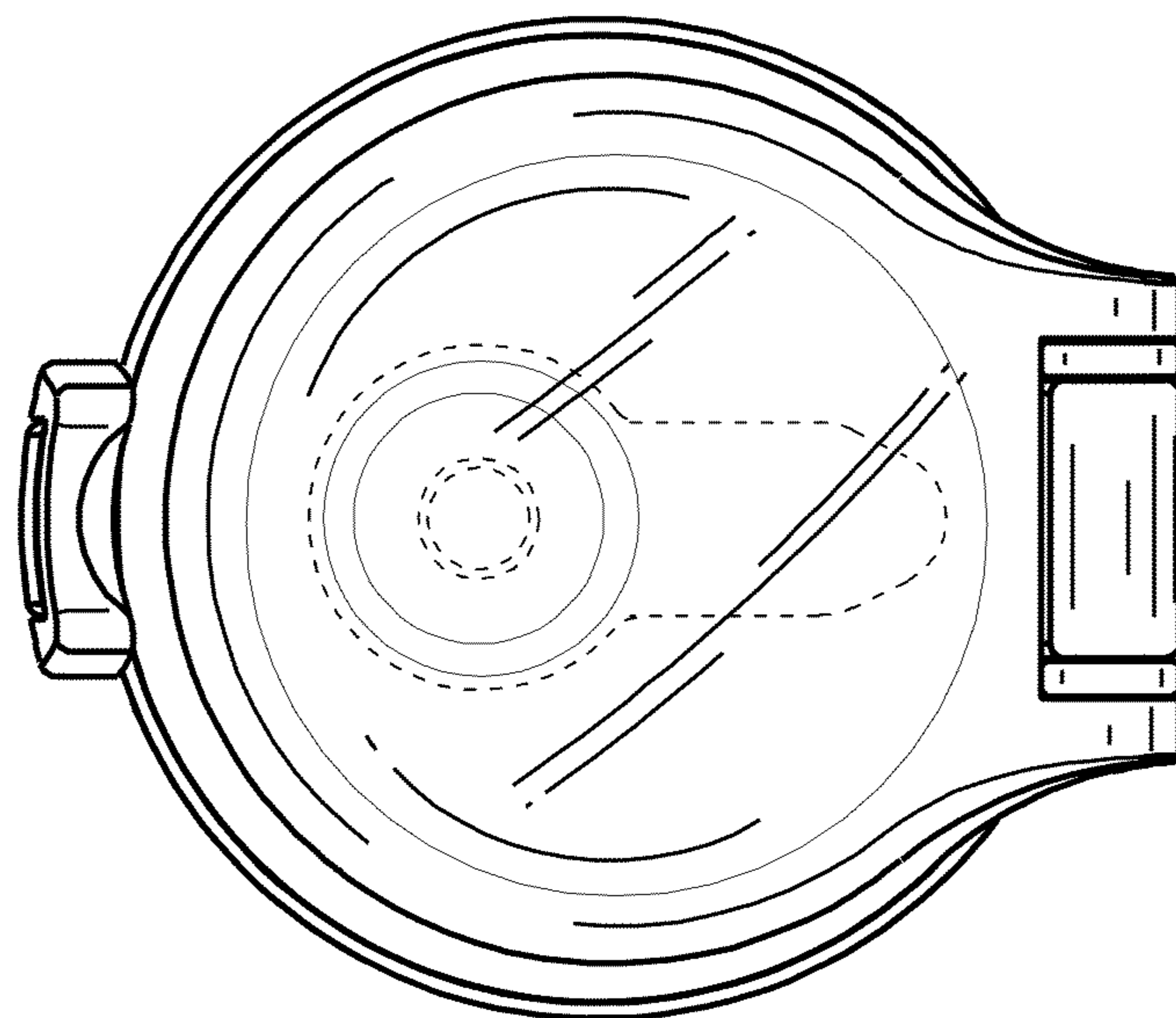


FIG. 6

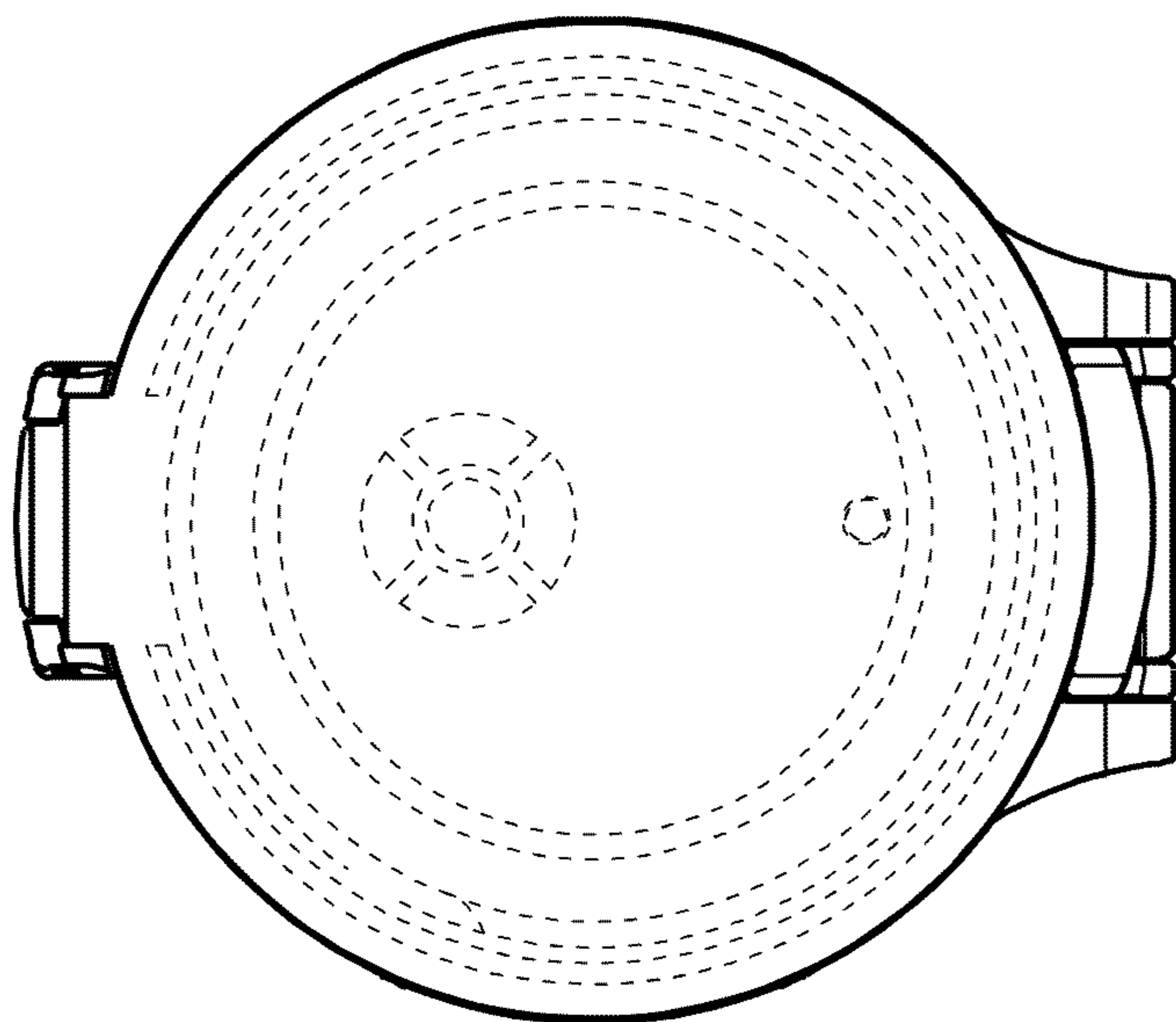


FIG. 7

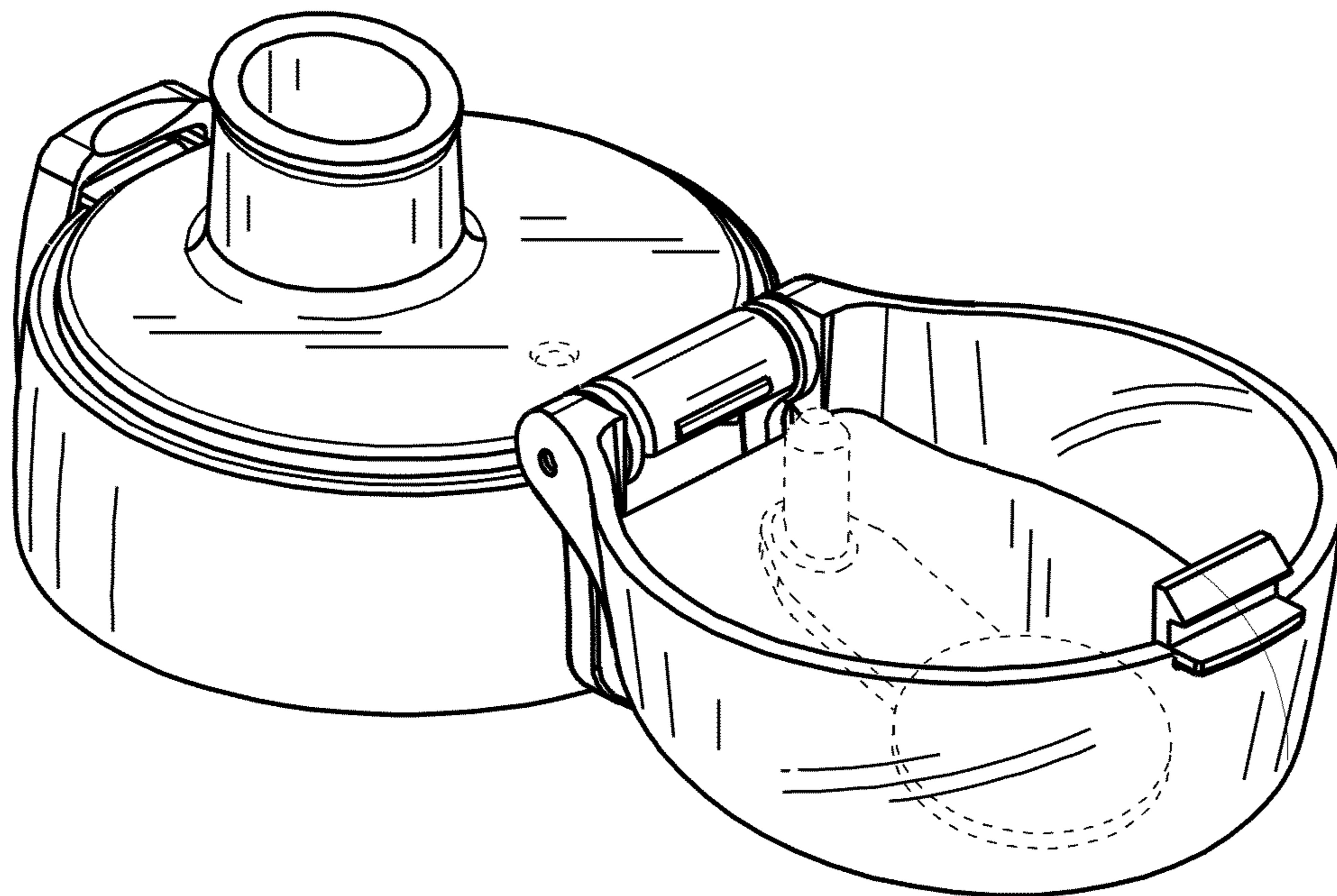


FIG. 8