



US00D758788S

(12) **United States Design Patent**
Suzuki et al.

(10) **Patent No.:** **US D758,788 S**
(45) **Date of Patent:** **** Jun. 14, 2016**

(54) **HAND BLENDER**

(56) **References Cited**

(71) Applicant: **Panasonic Intellectual Property Management Co., Ltd.**, Osaka-shi, Osaka (JP)
(72) Inventors: **Tomohisa Suzuki**, Kyoto (JP); **Edgardo Angelini**, Milan (IT); **Federico Casotto**, Milan (IT); **Pasquale Cirulli**, Milan (IT); **Andrea Daelli**, Milan (IT)
(73) Assignee: **PANASONIC INTELLECTUAL PROPERTY MANAGEMENT CO., LTD.**, Osaka (JP)

U.S. PATENT DOCUMENTS

D383,938	S	*	9/1997	Littmann	D7/376
D398,809	S	*	9/1998	Henderson	D7/376
D400,756	S	*	11/1998	Henderson	D7/376
D447,380	S	*	9/2001	Feil	D7/376
D456,206	S	*	4/2002	Feil	D7/376
D506,102	S	*	6/2005	Ikegaki	D7/376
D510,837	S	*	10/2005	Lloyd	D7/376
D530,976	S	*	10/2006	Parkinson	D7/379
D534,032	S	*	12/2006	Lloyd	D7/380

(Continued)

FOREIGN PATENT DOCUMENTS

CN	302400858	4/2013
CN	302821638	5/2014
CN	302821641	5/2014

(Continued)

Primary Examiner — Ricky Pham

(74) *Attorney, Agent, or Firm* — Brinks Gilson & Lione

(57) **CLAIM**

We claim the ornamental design for a hand blender, as shown and described.

DESCRIPTION

FIG. 1 is a front perspective view of a hand blender of the present invention;
FIG. 2 is a front view thereof;
FIG. 3 is a first side view thereof;
FIG. 4 is a second side view thereof;
FIG. 5 is a rear view thereof;
FIG. 6 is a top view thereof; and,
FIG. 7 is a second side view thereof shown in an alternate position.

The broken lines shown represent unclaimed subject matter and form no part of the claimed design. Additionally, the unevenly broken lines in the drawings define the limits of the claimed design.

1 Claim, 7 Drawing Sheets

(**) Term: **14 Years**

(21) Appl. No.: **29/516,733**

(22) Filed: **Feb. 5, 2015**

(30) **Foreign Application Priority Data**

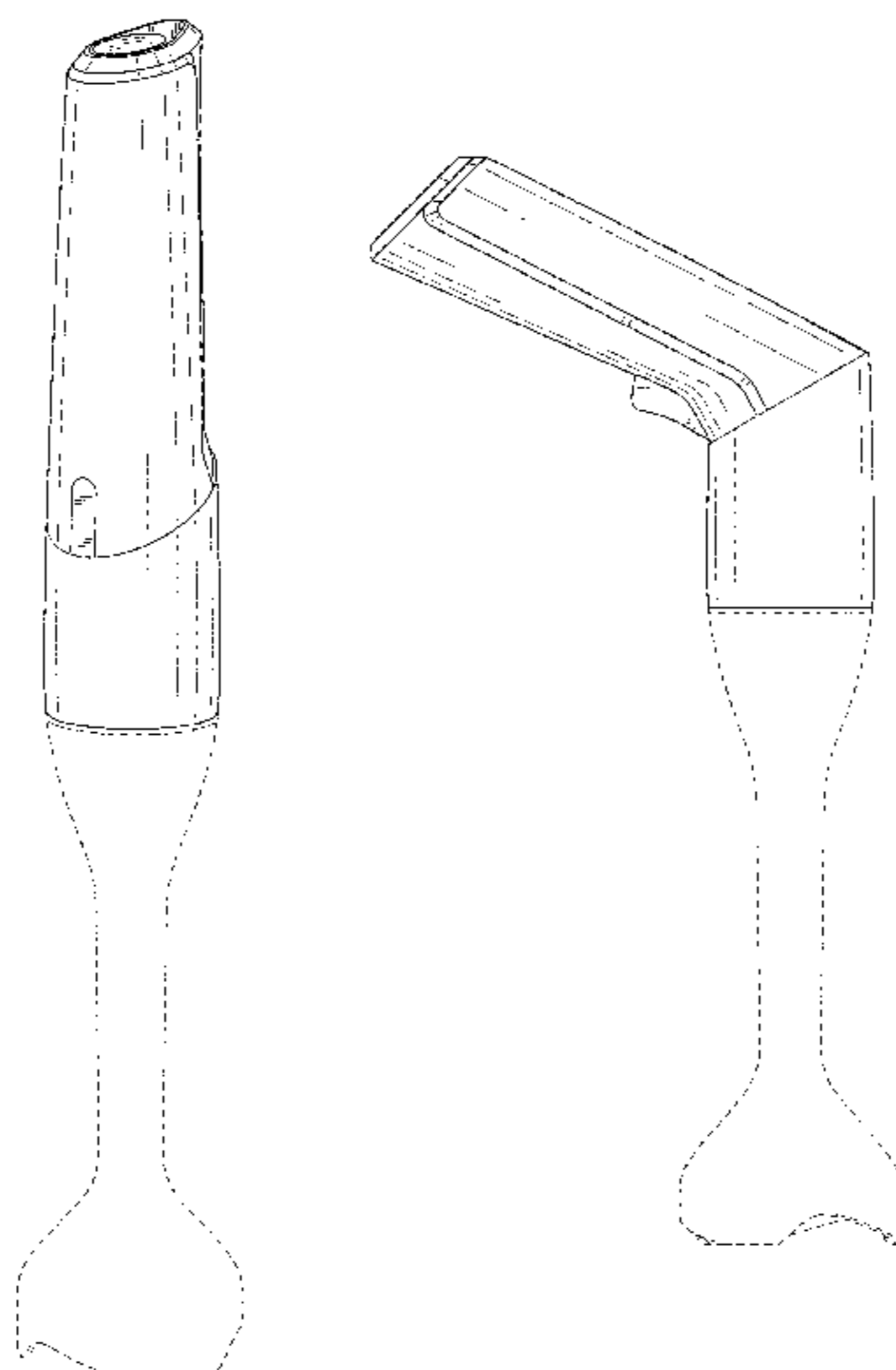
Aug. 29, 2014 (JP) 2014-019034

(51) **LOC (10) Cl.** **31-00**

(52) **U.S. Cl.**
USPC **D7/380; D7/376; D7/379**

(58) **Field of Classification Search**
USPC D7/372, 376–386, 412–413, 602, 629, D7/665–666, 669, 679, 693–694
CPC A21C 1/02; A21C 1/04; A23N 1/00; A23N 1/02; A47J 43/04; A47J 43/25; A47J 43/27; A47J 43/042; A47J 43/044; A47J 43/046; A47J 43/0711; A47J 43/075; A47J 43/0722; A47J 43/0727; B01F 3/00; B01F 3/0807; B01F 3/0853; B01F 13/0059; B01F 13/0064; B02C 1/08; B02C 2/04; B02C 4/42; B02C 4/142; B02C 4/143; B02C 4/423; B02C 13/1835; B28C 5/10; B28C 5/12; B28C 5/14; B28C 5/16

See application file for complete search history.



(56)

References Cited

FOREIGN PATENT DOCUMENTS

U.S. PATENT DOCUMENTS

D668,911 S * 10/2012 Bachmann D7/376
D695,565 S * 12/2013 Verbrugge D7/376
D700,798 S * 3/2014 Wu D7/376
D731,236 S * 6/2015 Yin D7/376

CN 302884645 7/2014
JP D1406724 S 2/2011
JP D1407119 S 2/2011
JP D1422618 S 9/2011

* cited by examiner

FIG. 1

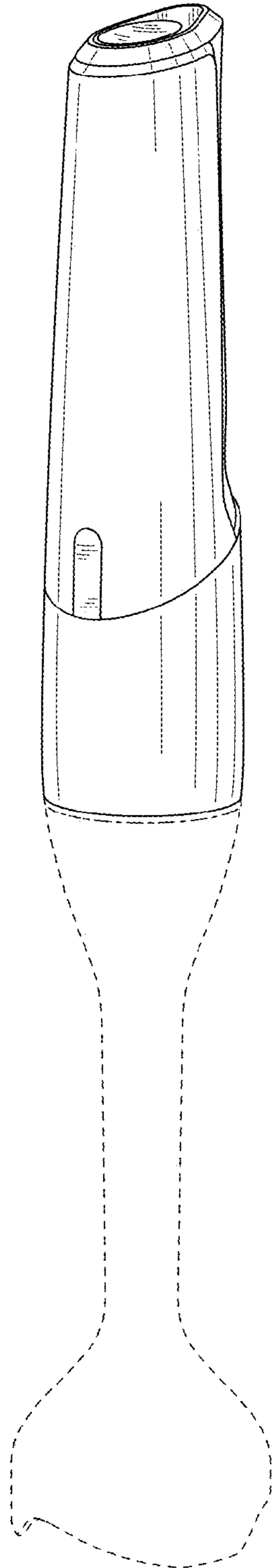


FIG.2

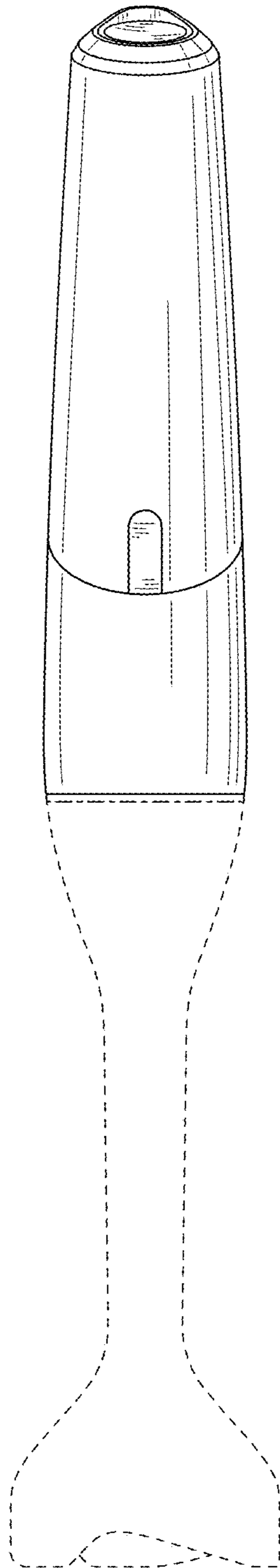


FIG.3

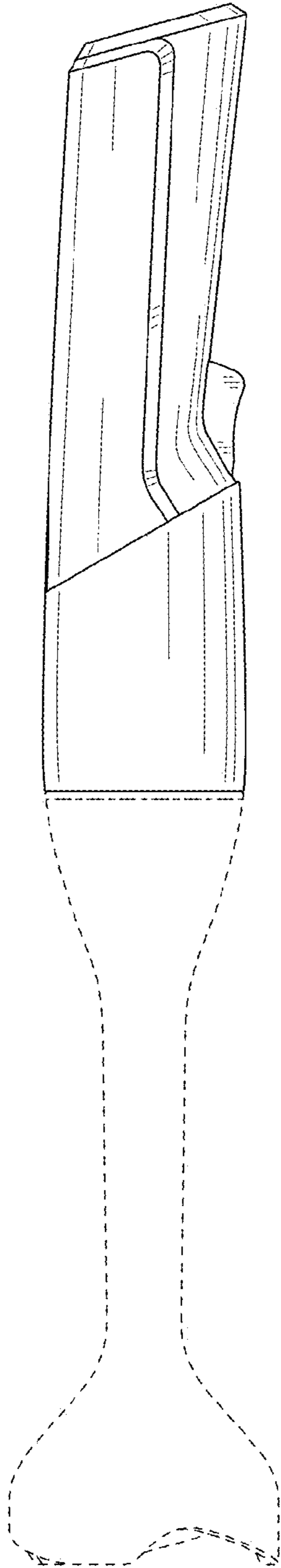


FIG.4

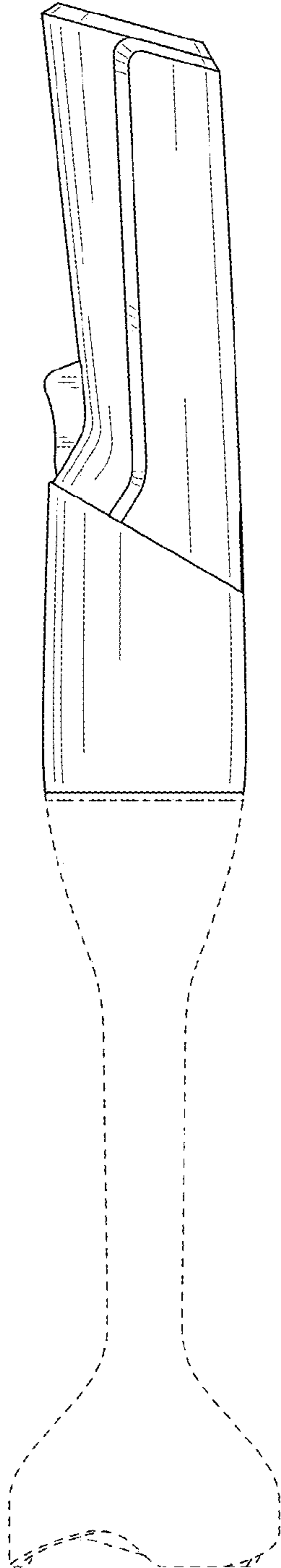


FIG.5

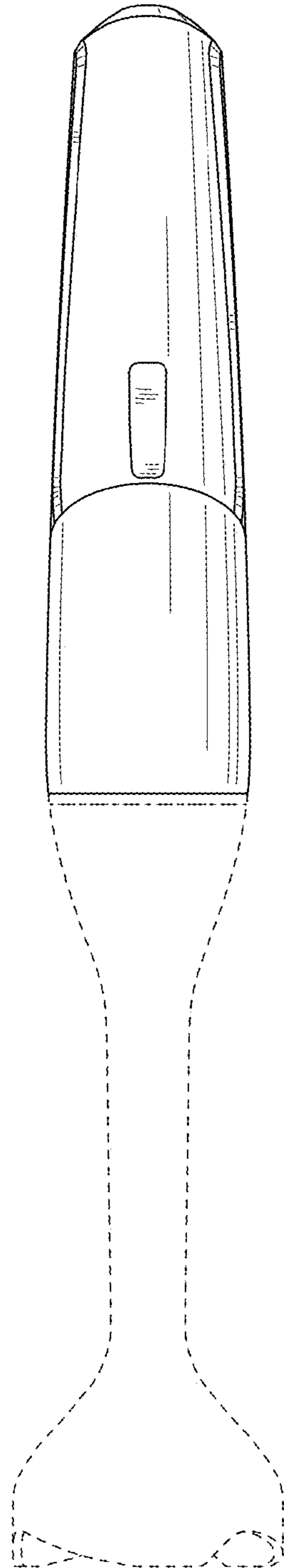


FIG.6

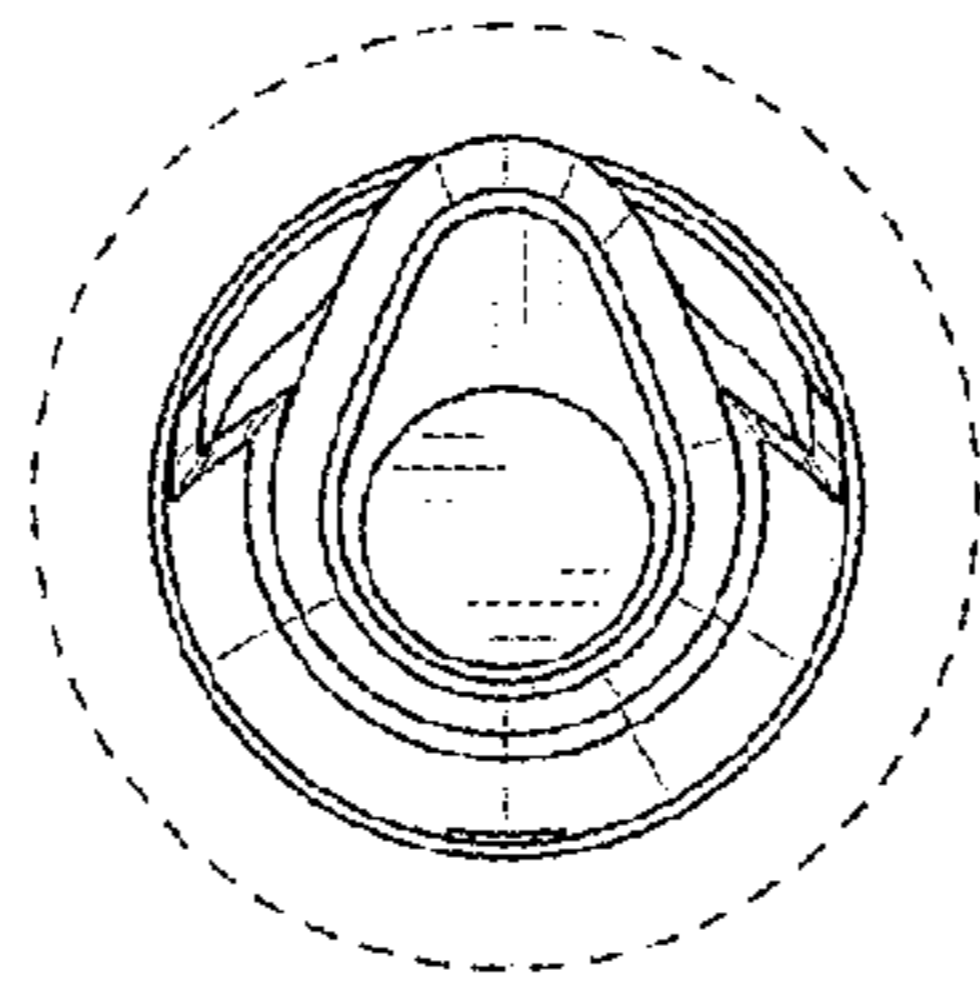


FIG. 7

