



US00D758784S

(12) **United States Design Patent**
Hunt et al.

(10) **Patent No.:** **US D758,784 S**
(45) **Date of Patent:** **** Jun. 14, 2016**

- (54) **STEAMER FOR A VERTICAL GRILL**
- (71) Applicants: **Bonnie Lee Buzick**, Fresno, CA (US);
Robert James Bair, Fresno, CA (US)
- (72) Inventors: **Ronald Eugene Hunt**, Georgetown, TX (US); **Bonnie Lee Buzick**, Fresno, CA (US); **Robert James Bair**, Fresno, CA (US)
- (73) Assignees: **Bonnie Lee Buzick**, Fresno, CA (US);
Robert James Bair, Fresno, CA (US)
- (**) Term: **14 Years**

- (21) Appl. No.: **29/499,728**
- (22) Filed: **Aug. 18, 2014**
- (51) **LOC (10) Cl.** **07-02**
- (52) **U.S. Cl.**
USPC **D7/354; D7/352**
- (58) **Field of Classification Search**
USPC D7/323, 328-330, 337, 347, 350.4,
D7/352-365, 367, 402, 409-411; D23/372
CPC A21B 5/023; A47J 27/60; A47J 27/62;
A47J 37/04; A47J 37/06; A47J 37/067;
A47J 37/0605; A47J 37/0611; A47J 37/0623;
A47J 37/0629; A47J 37/0676; A47J 37/0694;
A47J 2037/06; A47J 2037/0611; F24C 15/10;
F24C 15/102; H05B 6/02; H05B 6/062
See application file for complete search history.

- (56) **References Cited**
U.S. PATENT DOCUMENTS
D195,754 S * 7/1963 Rawson, Jr. et. al. D7/350.4
D340,615 S * 10/1993 Guerrier D7/365

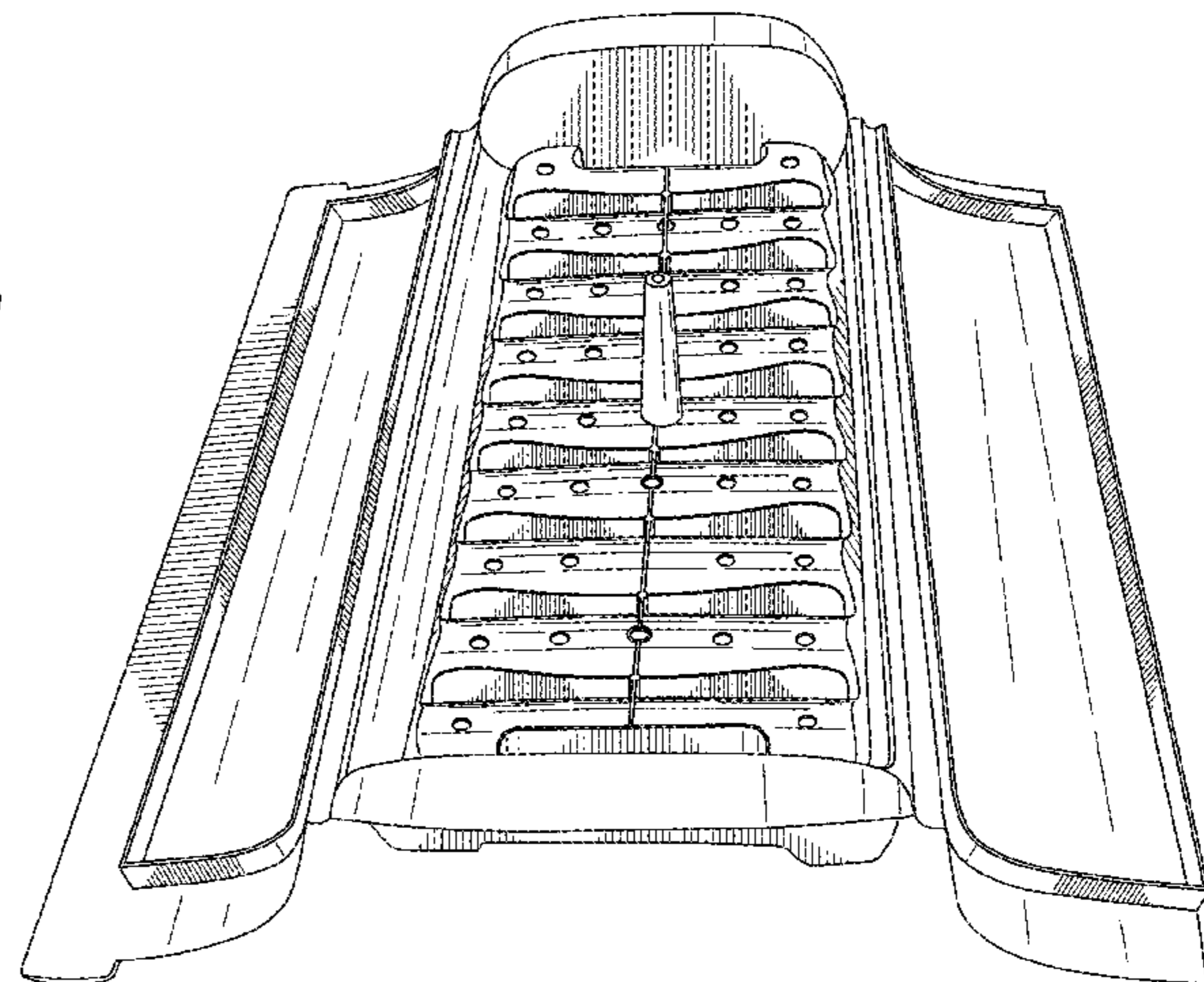
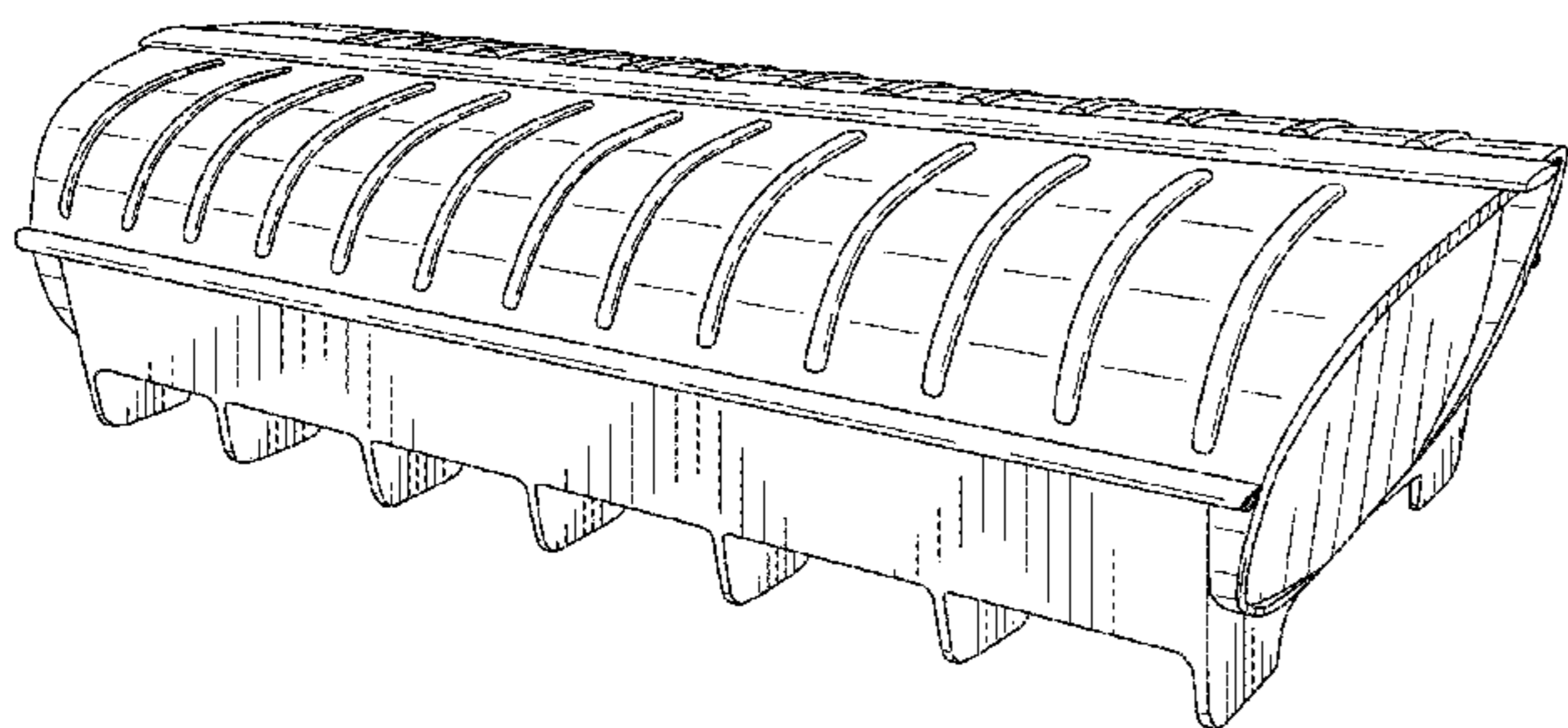
- D379,051 S * 5/1997 Jacquemin D7/352
- D434,486 S * 11/2000 Segers D23/372
- D458,078 S * 6/2002 Lin D7/362
- D458,671 S * 6/2002 Lin D23/372
- 6,848,440 B2 * 2/2005 Han A47J 37/0694
126/152 B
- D638,253 S * 5/2011 Tomczyk D7/323
- 8,997,635 B2 * 4/2015 Buzick 99/389

* cited by examiner
Primary Examiner — Ricky Pham
(74) *Attorney, Agent, or Firm* — Michael D. Eisenberg

(57) **CLAIM**
The ornamental design for a steamer for a vertical grill, as shown and described.

DESCRIPTION
FIG. 1 is a perspective view of a steamer for a vertical grill showing the new design;
FIG. 2 is a top view of the steamer for a vertical grill;
FIG. 3 is a front side view of the steamer for a vertical grill;
FIG. 4 is a right side view of the steamer for a vertical grill;
FIG. 5 is a left side view of the steamer for a vertical grill;
FIG. 6 is a rear view of the steamer for a vertical grill;
FIG. 7 is a bottom view of the steamer for a vertical grill; and,
FIG. 8 is a perspective view of the steamer for a vertical grill in an opened configuration.

1 Claim, 4 Drawing Sheets



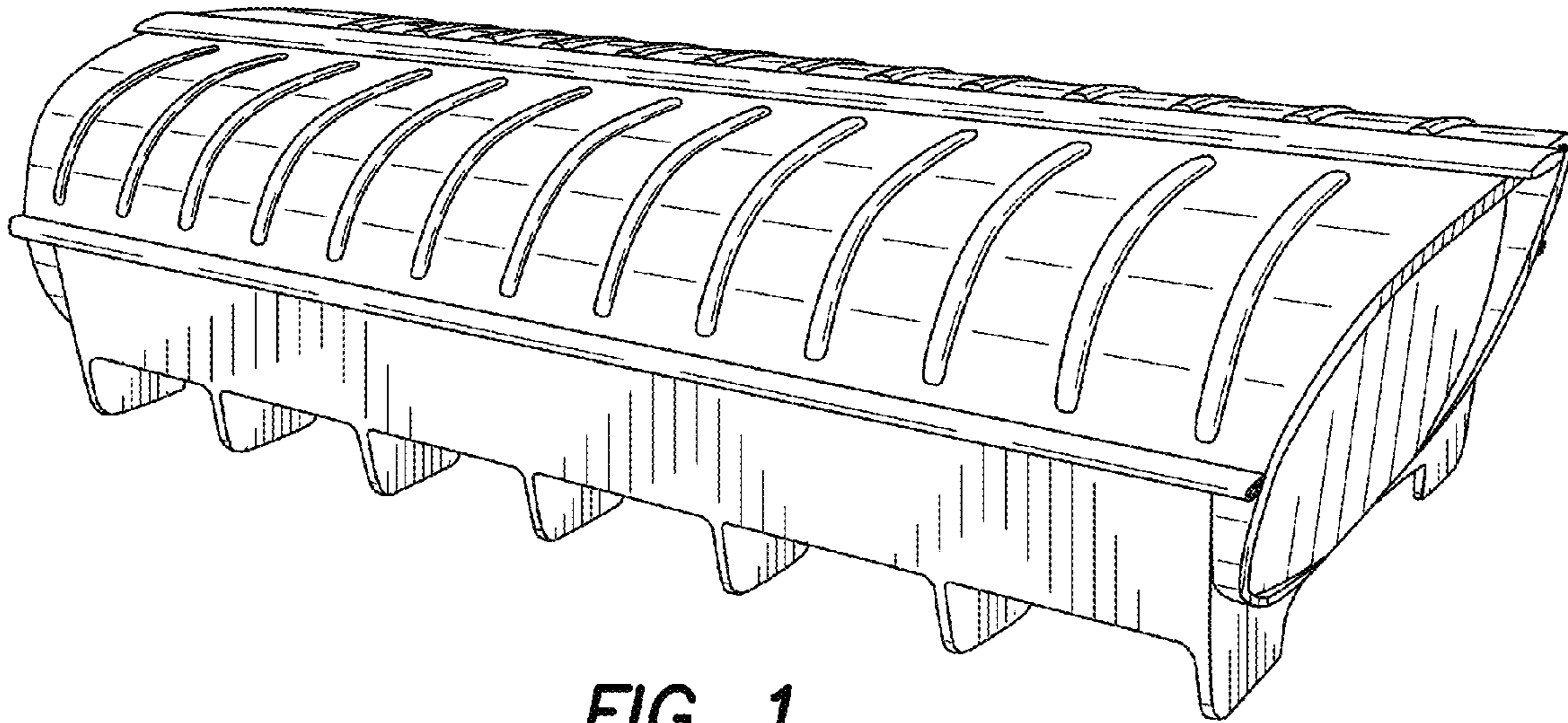


FIG. 1

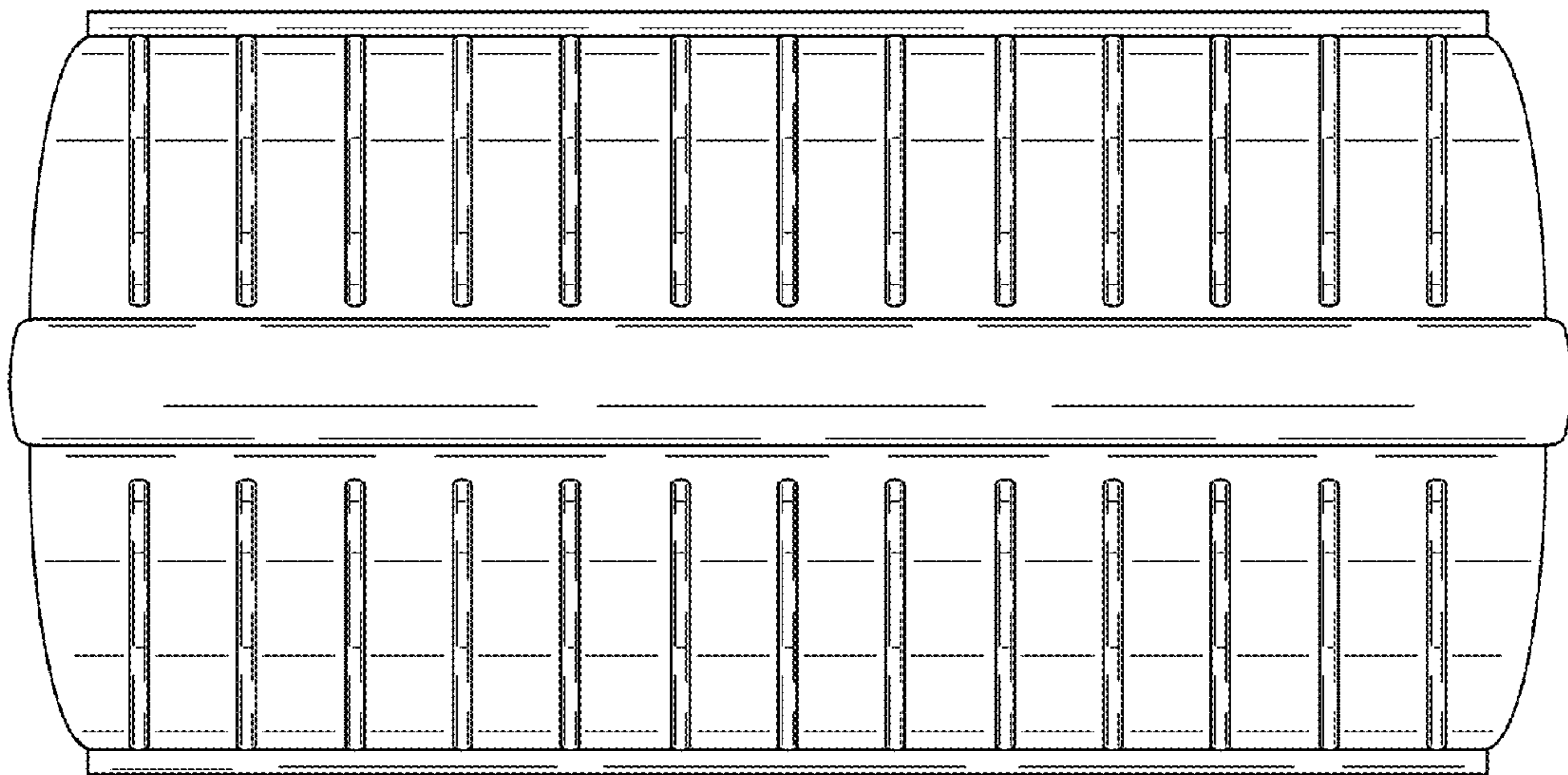


FIG. 2

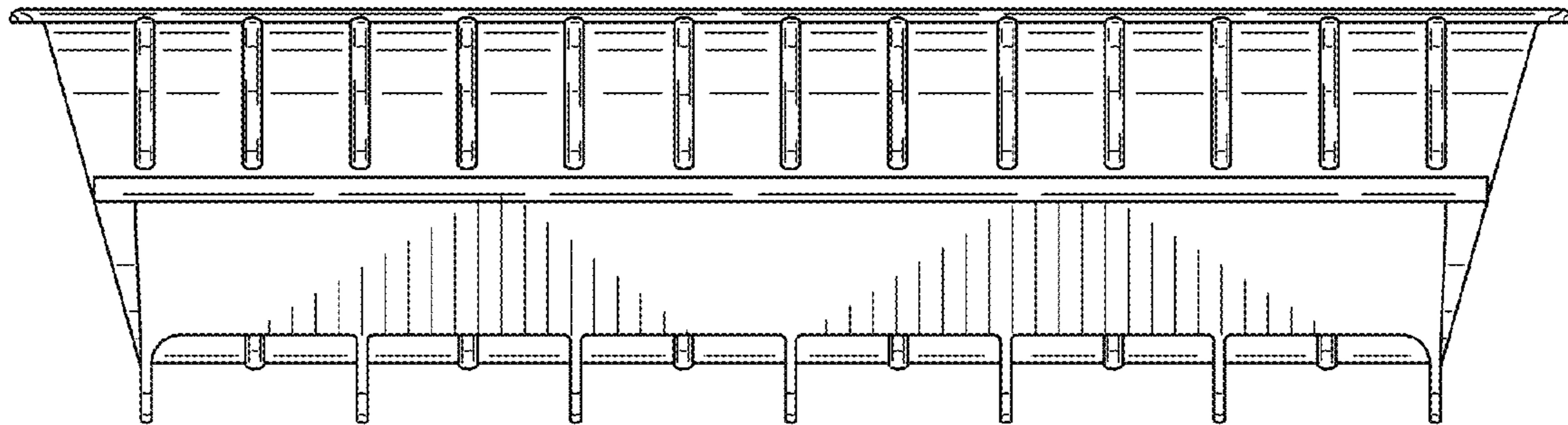


FIG. 3

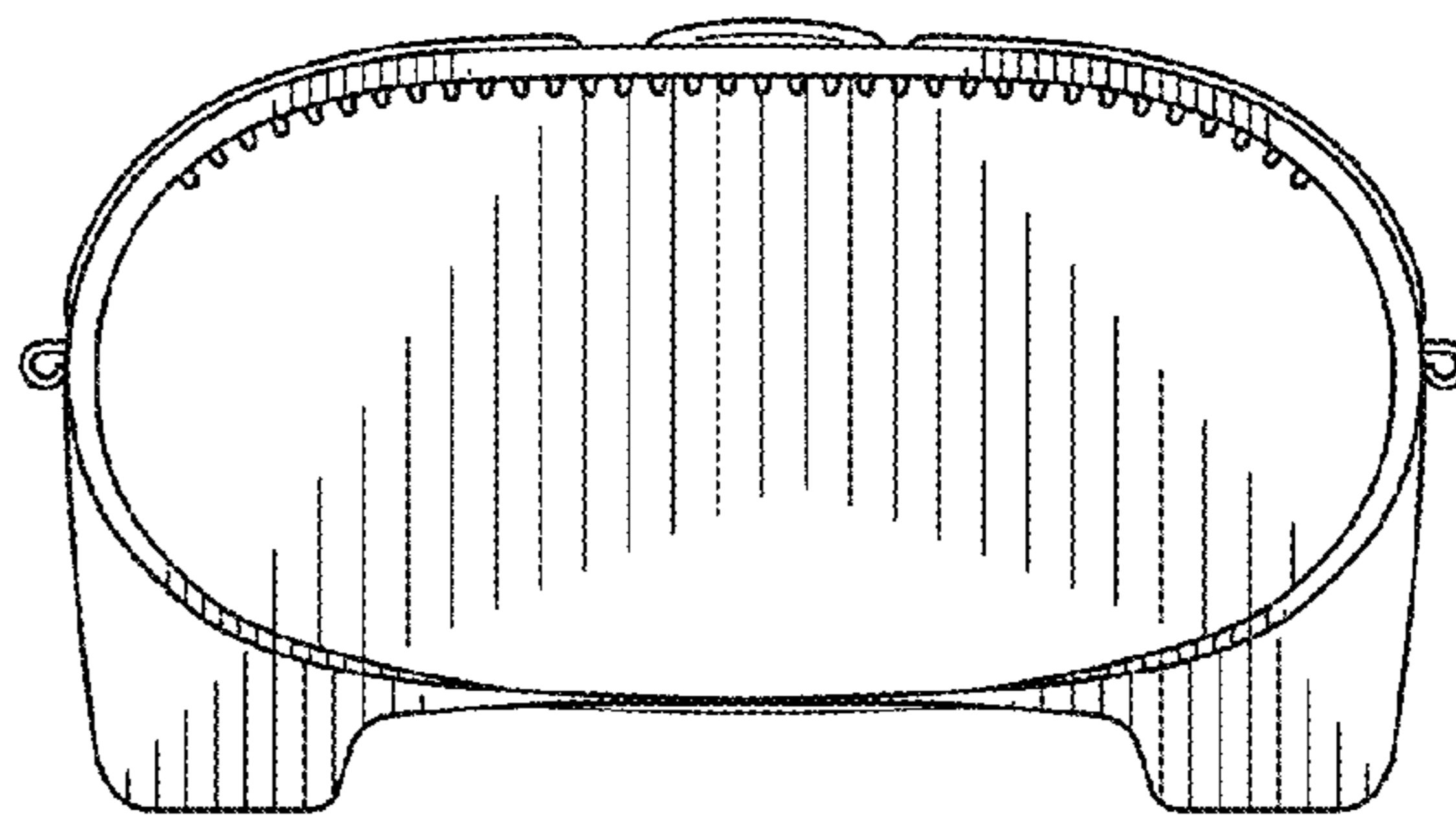


FIG. 4

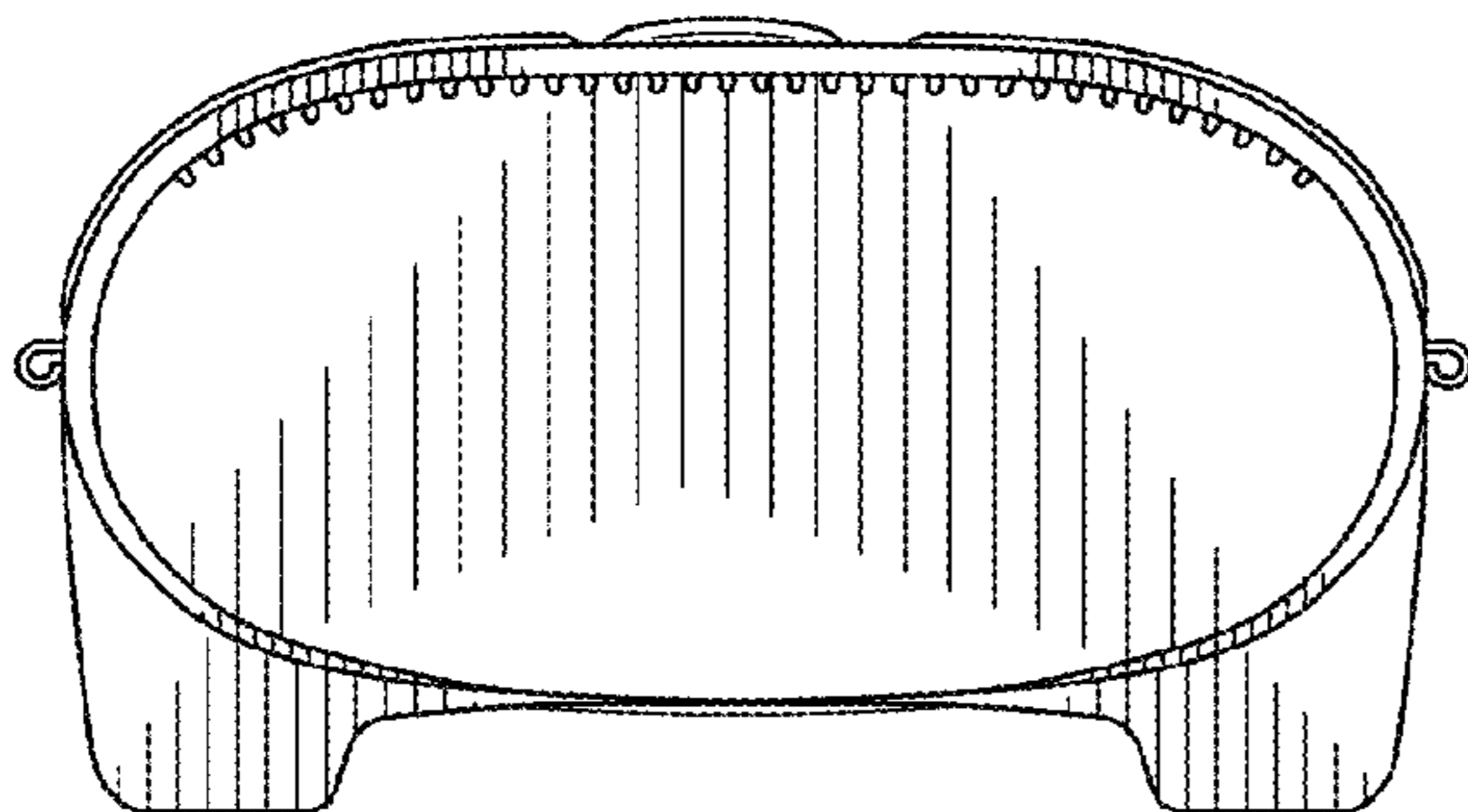


FIG. 5

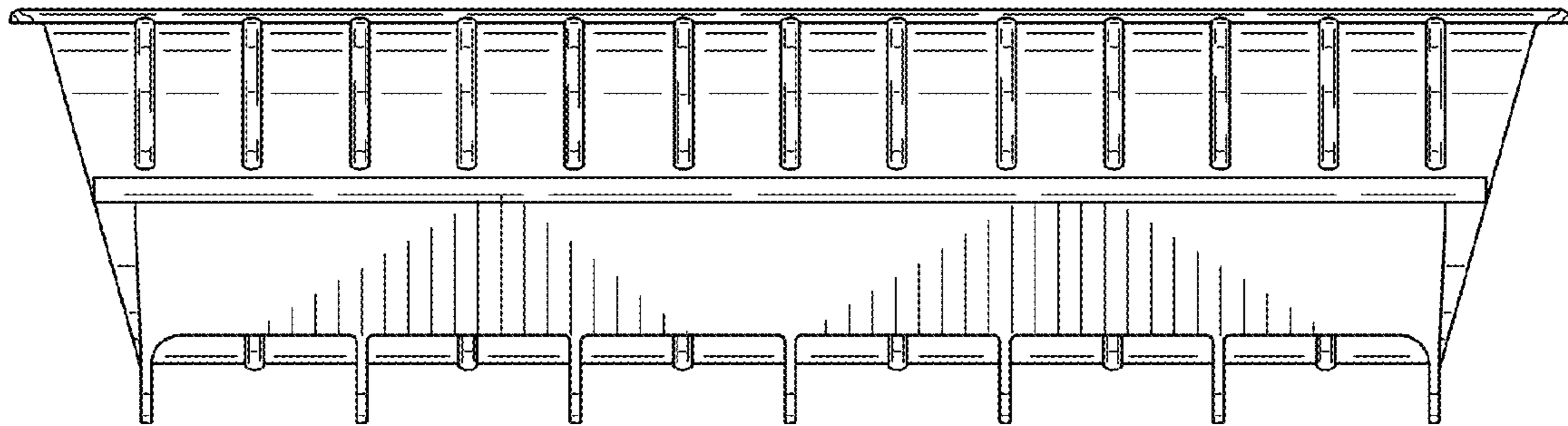


FIG. 6

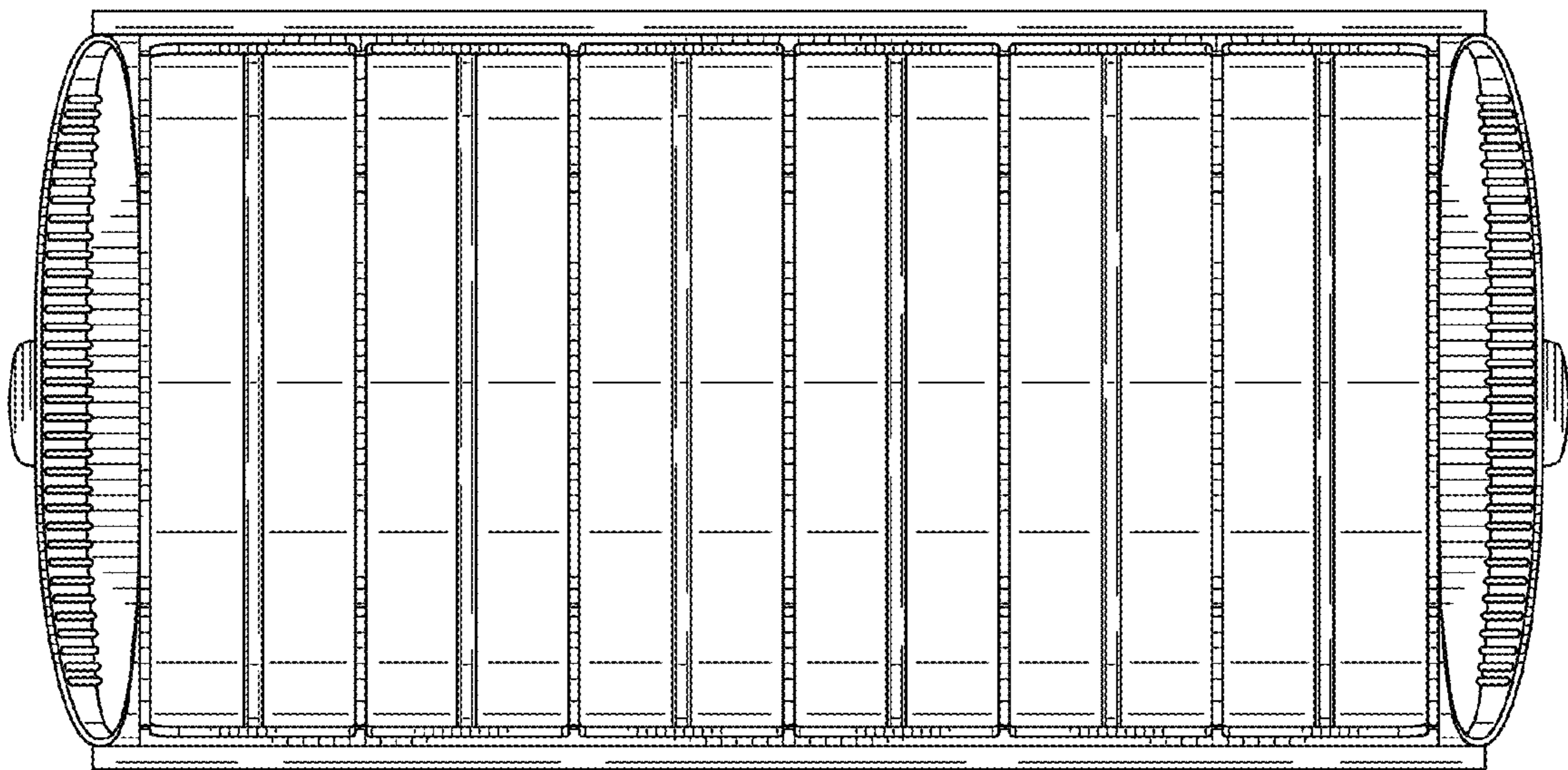


FIG. 7

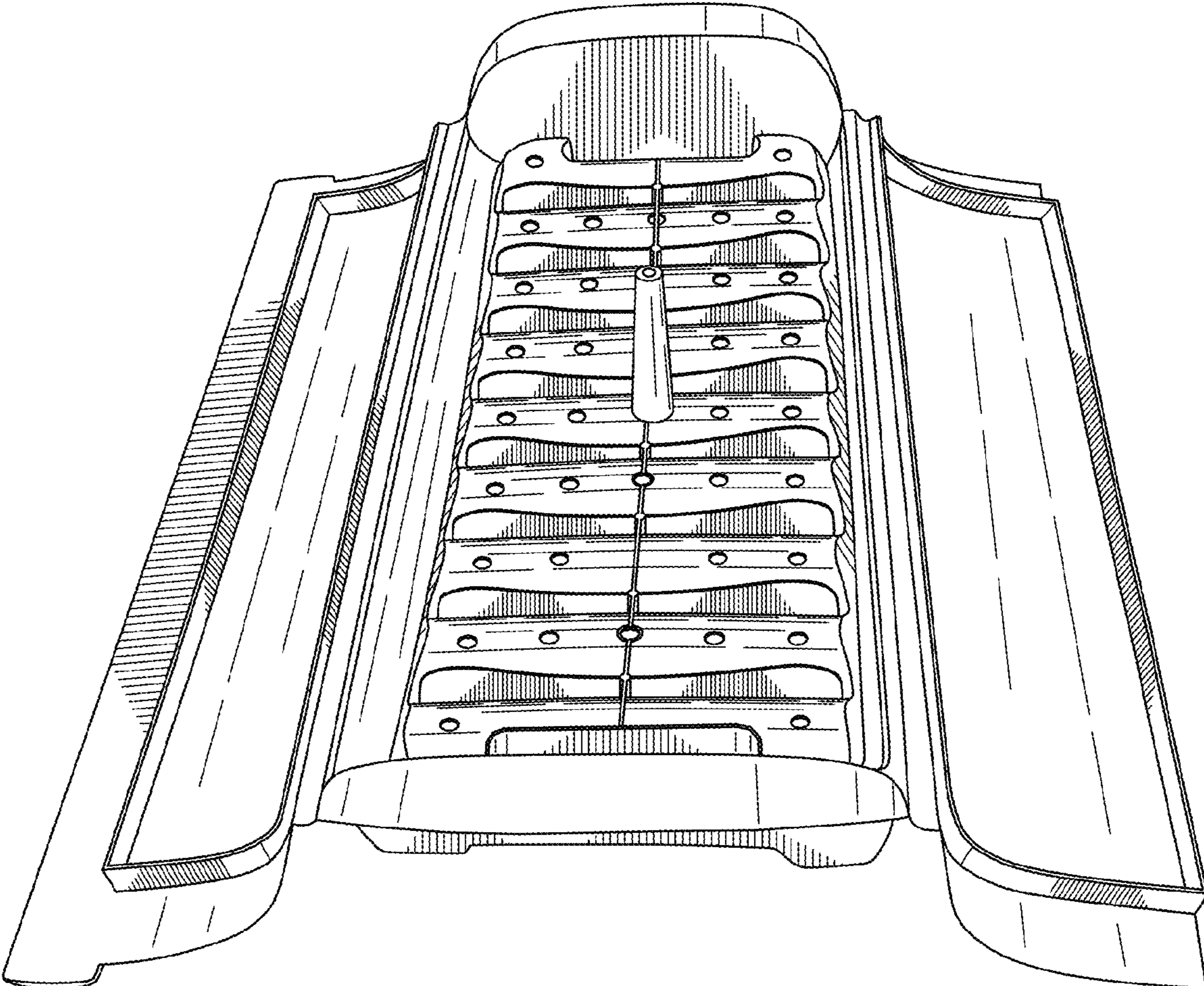


FIG. 8