



US00D758780S

(12) **United States Design Patent**
Affatato et al.

(10) **Patent No.:** **US D758,780 S**
(45) **Date of Patent:** **** Jun. 14, 2016**

(54) **TOASTER**

(71) Applicant: **CNA International Inc.**, Wood Dale, IL (US)

(72) Inventors: **Kristin Marie Affatato**, Elmhurst, IL (US); **Steve Cho**, Chicago, IL (US); **Hyunchul Kim**, Chicago, IL (US); **Christopher Mark Stefko**, Chicago, IL (US)

(73) Assignee: **CNA International Inc.**, Wood Dale, IL (US)

(**) Term: **14 Years**

(21) Appl. No.: **29/519,511**

(22) Filed: **Mar. 5, 2015**

(51) **LOC (10) Cl.** **07-02**

(52) **U.S. Cl.**
USPC **D7/330**

(58) **Field of Classification Search**
USPC D7/323, 328-330, 390
CPC A21B 2/00; A47J 37/00; A47J 37/06;
A47J 37/0611; A47J 37/08; A47J 37/0807;
A47J 37/0814; A47J 37/0835; A47J 37/0842;
A47J 37/085; A47J 37/0864; A47J 37/0878;
A47J 37/0885; A47J 37/0892; F24C 15/10;
F24C 15/102

See application file for complete search history.

(56) **References Cited**

U.S. PATENT DOCUMENTS

D338,368 S * 8/1993 Naft D7/328
D415,924 S * 11/1999 Powel D7/330

D474,368 S * 5/2003 Averty D7/330
D505,585 S * 5/2005 MacWilliam D7/330
D524,591 S * 7/2006 Averty D7/330
D527,568 S * 9/2006 Page D7/330
D569,166 S * 5/2008 Borin D7/330
D593,358 S * 6/2009 Kim D7/330
D613,546 S * 4/2010 Picozza D7/330
D622,092 S * 8/2010 Picozza D7/330
D635,390 S * 4/2011 Duncan D7/330
D661,942 S * 6/2012 Palermo D7/330
D688,508 S * 8/2013 Garman D7/330

* cited by examiner

Primary Examiner — Ricky Pham

(74) *Attorney, Agent, or Firm* — McDermott Will & Emery LLP

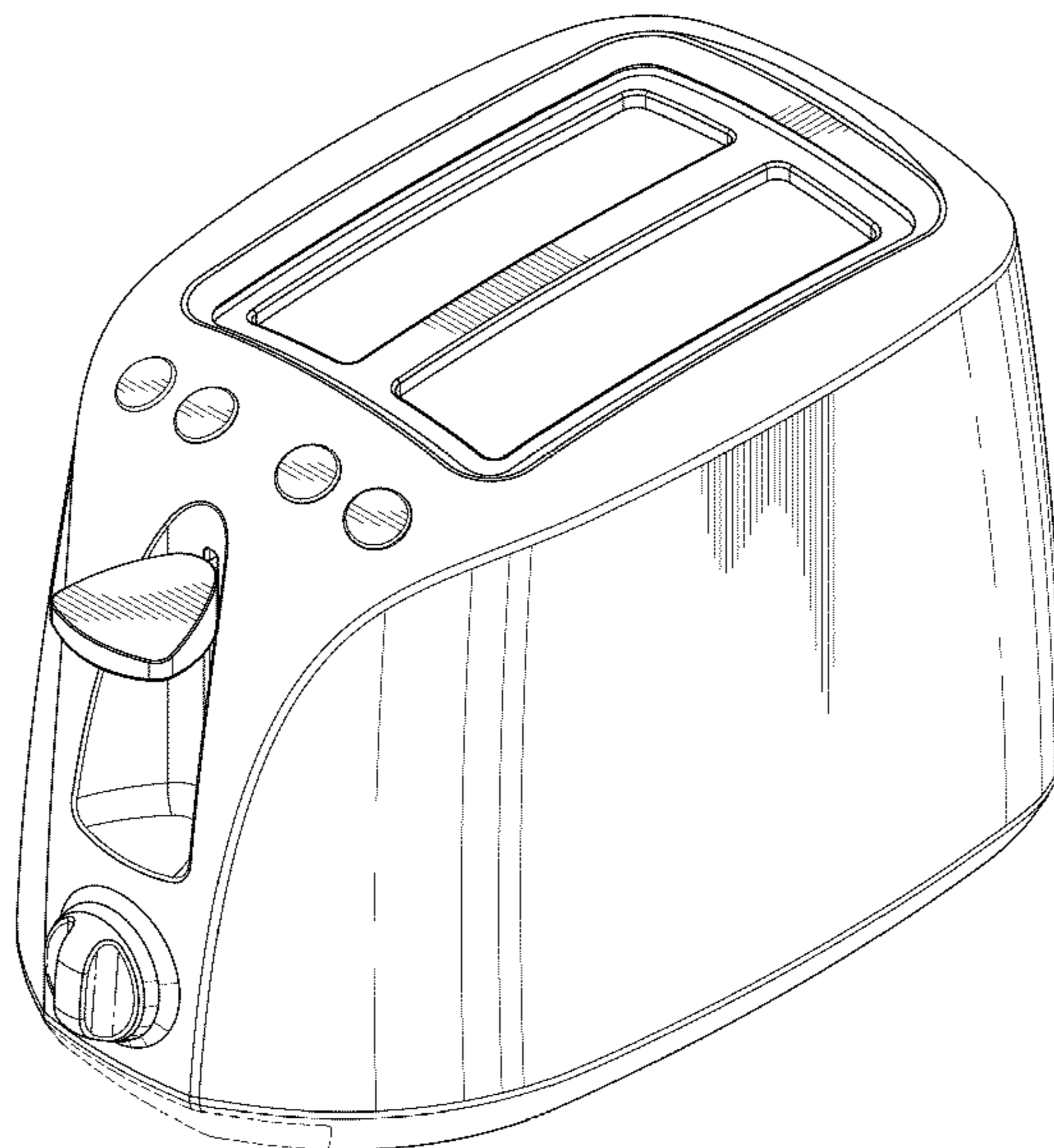
(57) **CLAIM**

We claim the ornamental design for a toaster, as shown and described.

DESCRIPTION

FIG. 1 is a front top perspective view of a toaster according to the new design.
FIG. 2 is a back bottom perspective view of the toaster shown in FIG. 1.
FIG. 3 is a right side view of the toaster shown in FIG. 1.
FIG. 4 is a left side view of the toaster shown in FIG. 1.
FIG. 5 is a front view of the toaster shown in FIG. 1.
FIG. 6 is a back view of the toaster shown in FIG. 1.
FIG. 7 is a top view of the toaster shown in FIG. 1; and
FIG. 8 is a bottom view of the toaster shown in FIG. 1.
Features shown in broken lines in the drawings are not part of the claim.

1 Claim, 7 Drawing Sheets



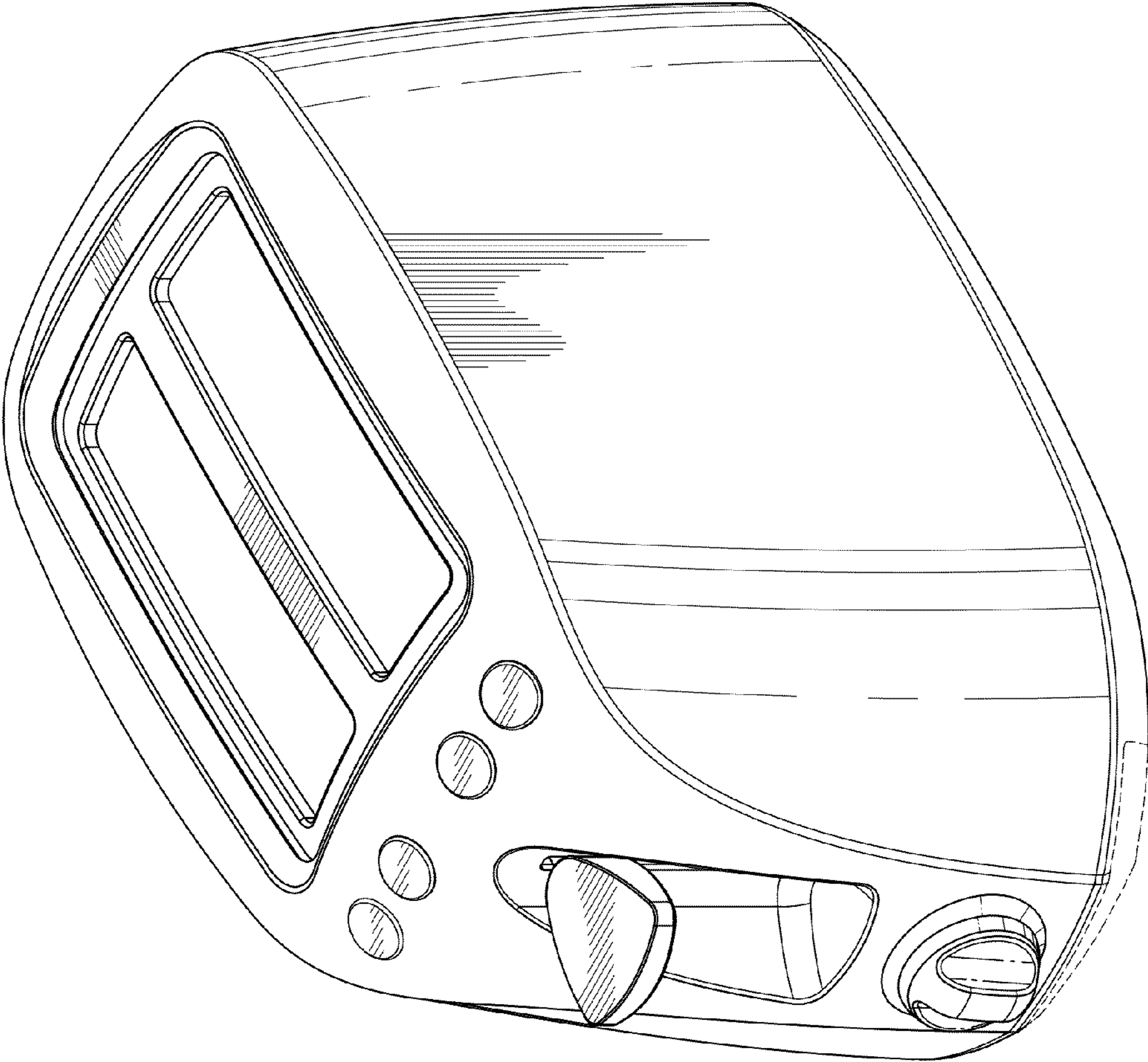
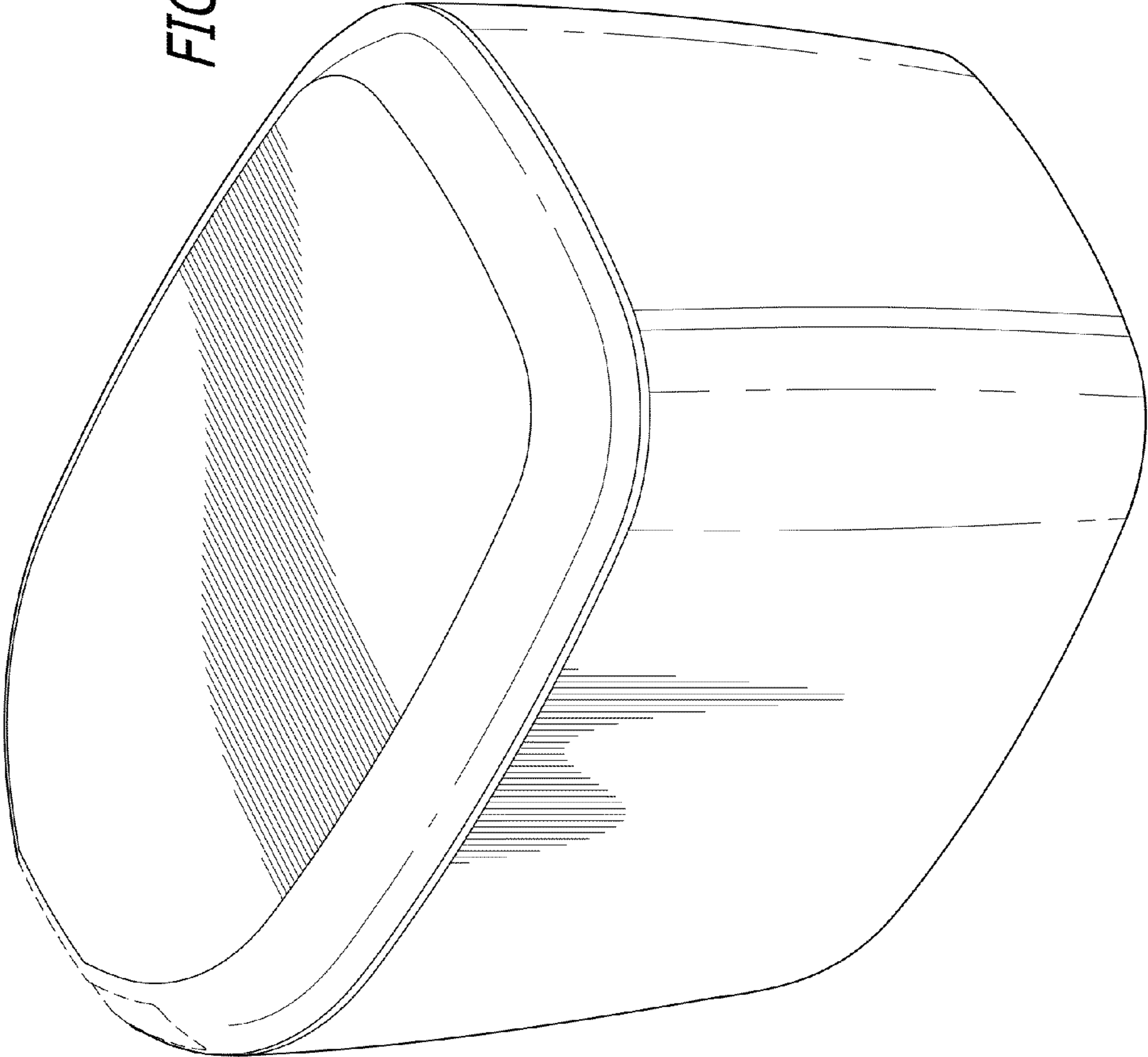


FIG. 1

FIG. 2



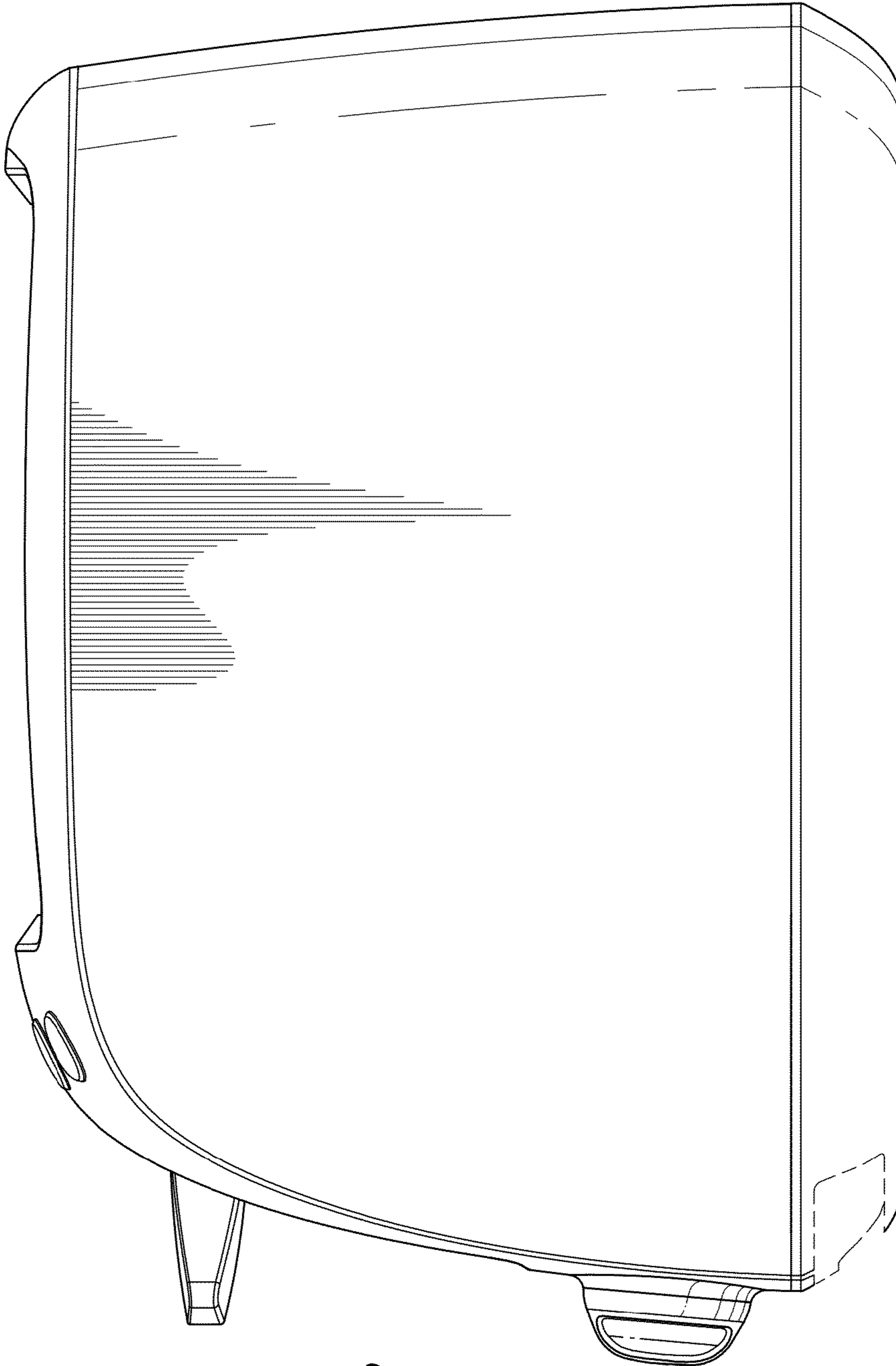


FIG. 3

FIG. 4

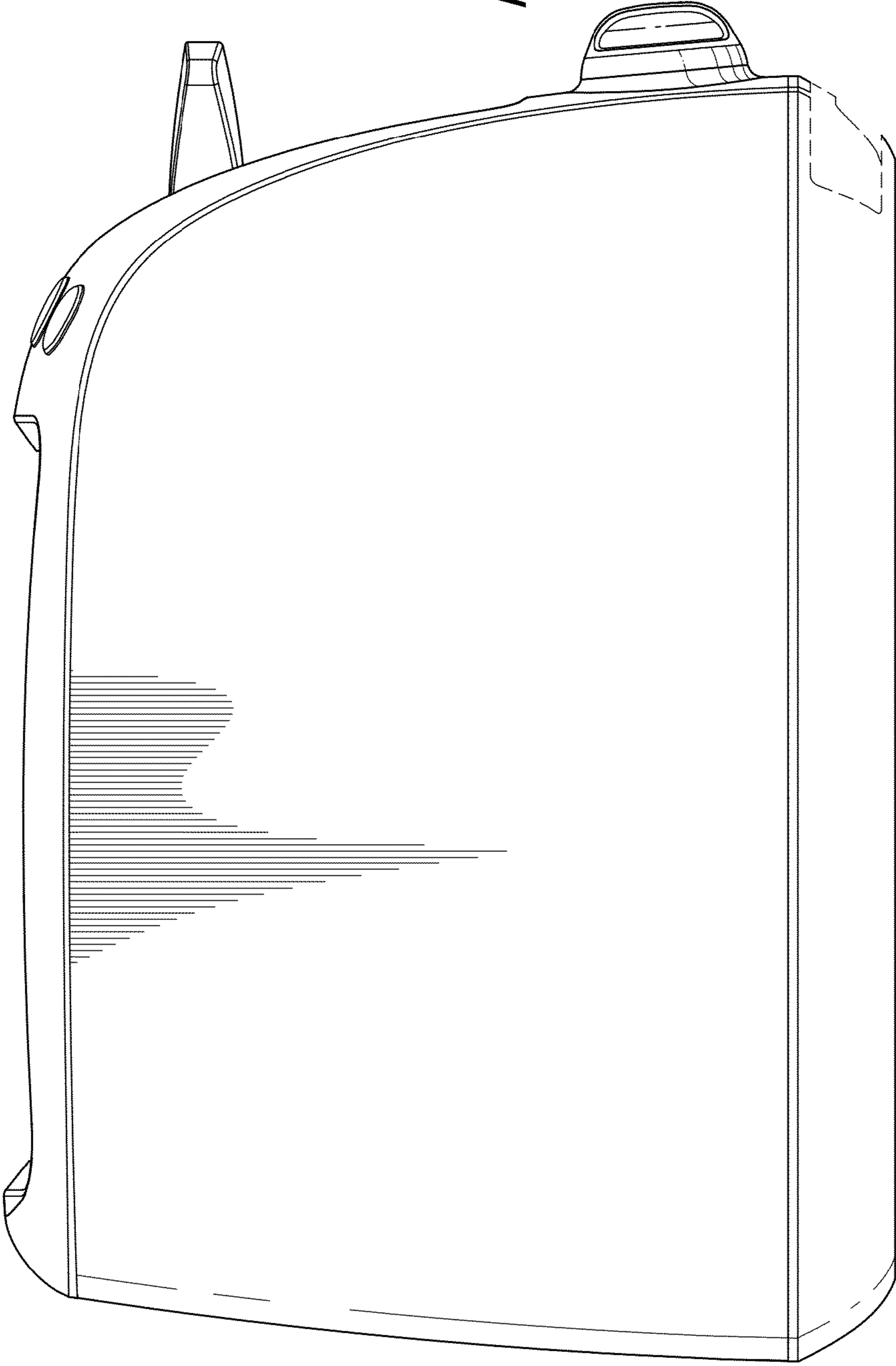


FIG. 5

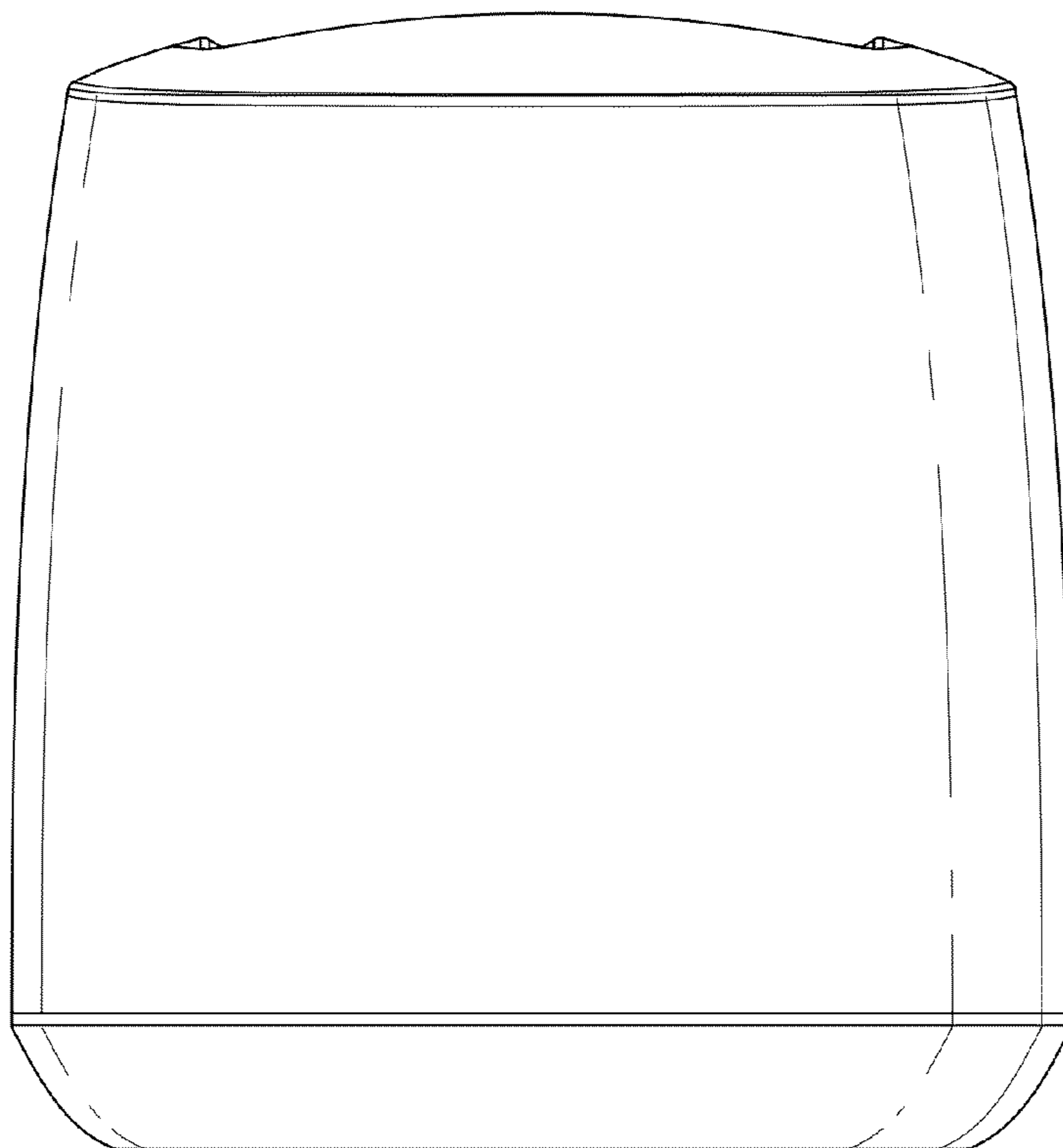
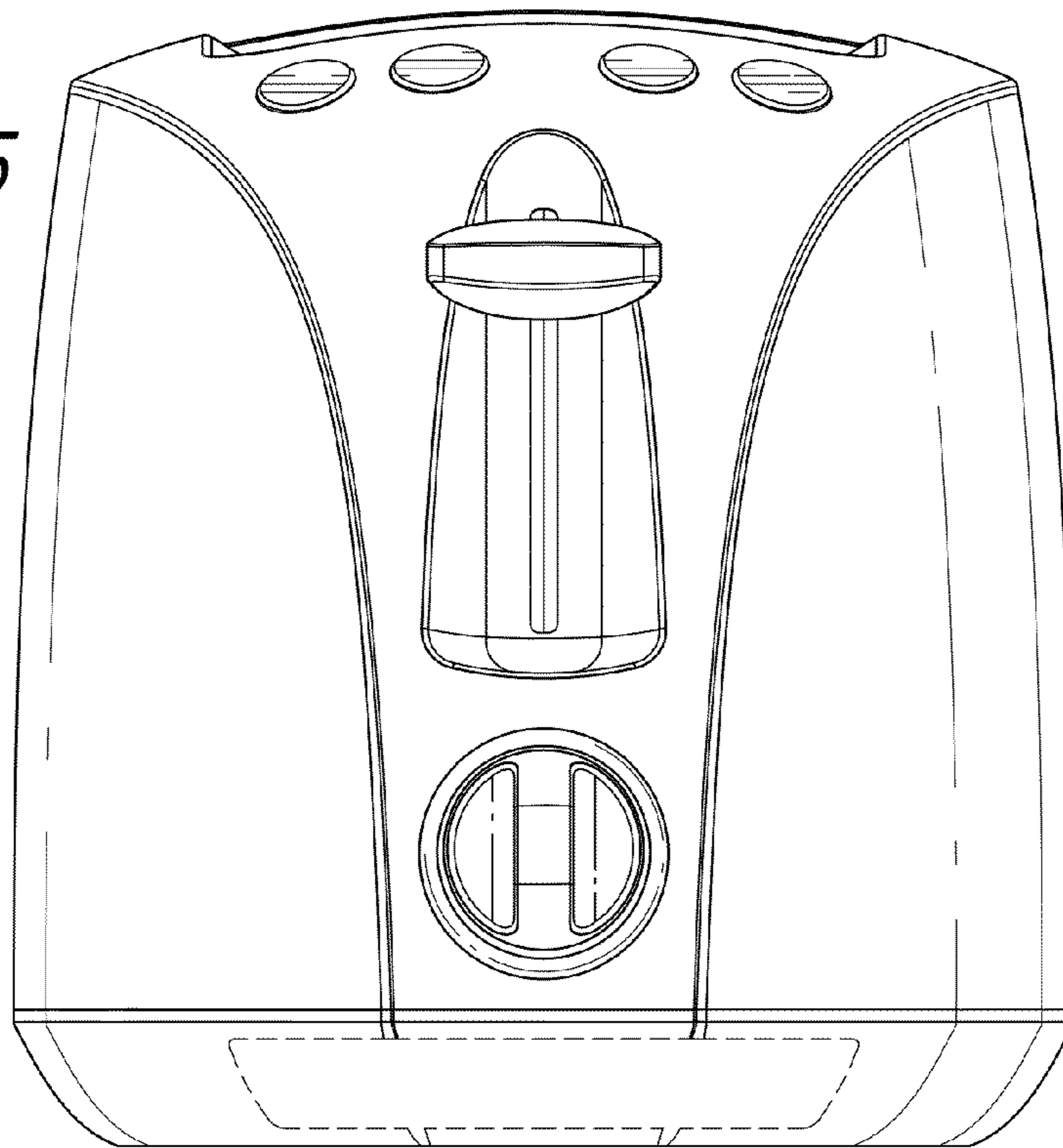


FIG. 6

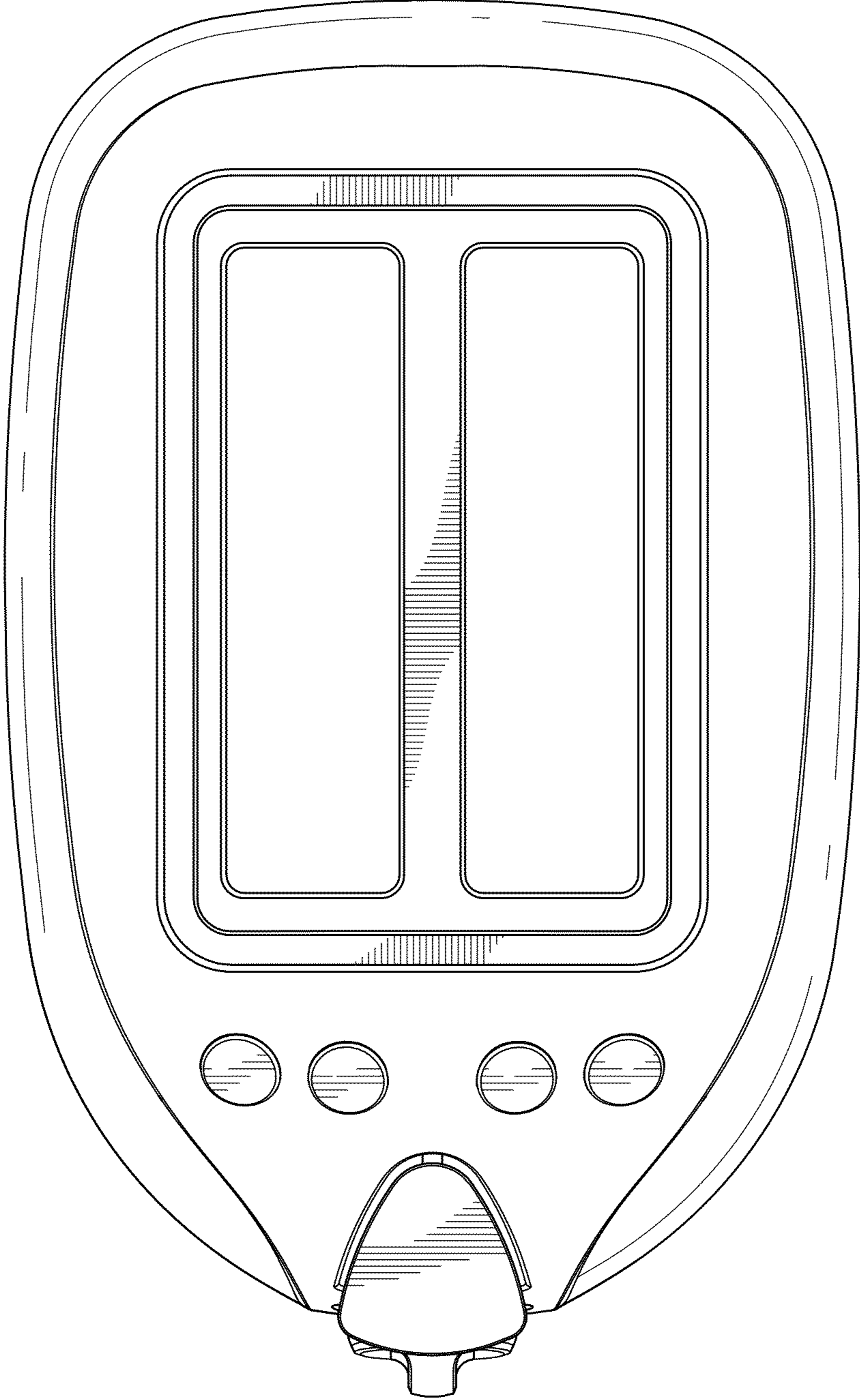


FIG. 7

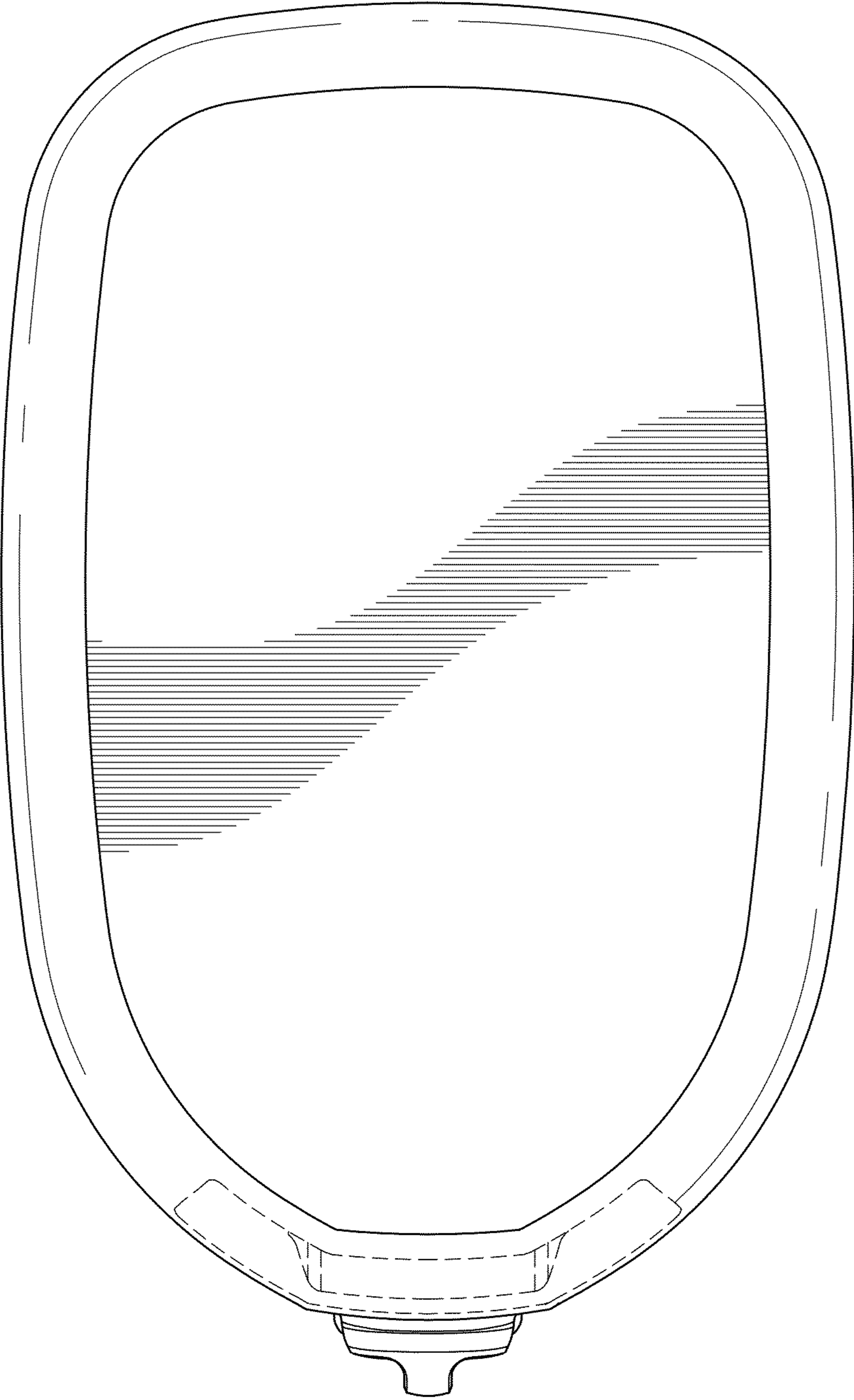


FIG. 8