



US00D758779S

(12) **United States Design Patent**
Regamy et al.

(10) **Patent No.:** **US D758,779 S**
(45) **Date of Patent:** **** Jun. 14, 2016**

- (54) **BEVERAGE DISPENSER**
- (71) Applicant: **Societe des Produits Nestle S.A., Vevey**
(CH)
- (72) Inventors: **Damien Regamy, La Chaux-de-Fonds**
(CH); **Julien Ayer, La Chaux-de-Fonds**
(CH)
- (73) Assignee: **Societe des Produits Nestle S.A., Vevey**
(CH)
- (**) Term: **14 Years**
- (21) Appl. No.: **29/525,828**
- (22) Filed: **May 4, 2015**
- (30) **Foreign Application Priority Data**

4,760,774 A *	8/1988	Lin	A47J 31/30
				99/281
D353,296 S *	12/1994	Assmann	D7/309
D382,762 S *	8/1997	Felip	D7/309
D404,604 S *	1/1999	Pochopien	D7/309
D440,458 S *	4/2001	Ohu	D7/300
D450,771 S *	11/2001	Niwa	D19/65
D501,751 S *	2/2005	Lin	D7/309
D588,855 S *	3/2009	Jacquet	D7/309
D642,218 S *	7/2011	Sanders	D20/1
D690,150 S *	9/2013	Cahen	D7/309
D699,065 S *	2/2014	Bucher	D7/306
D714,088 S *	9/2014	Cahen	D7/309
D718,972 S *	12/2014	Jorgensen	D7/309
D731,223 S *	6/2015	Hatherell	D7/306
D733,480 S *	7/2015	Shao	D7/306
D738,152 S *	9/2015	Grasselli	D7/309

* cited by examiner

Primary Examiner — Marianne Pandozzi
(74) *Attorney, Agent, or Firm* — K&L Gates LLP

- Nov. 7, 2014 (CH) 141028
- (51) **LOC (10) Cl.** **07-01**
- (52) **U.S. Cl.**
USPC **D7/306; D7/311**
- (58) **Field of Classification Search**
USPC D7/306–311, 305, 300, 313, 399, 398,
D7/397; 99/279, 284, 290, 280, 299, 307,
99/305, 295, 308, 309, 383, 304, 323.1,
99/395, 300; 222/23, 129.1; 62/395;
D20/1; D23/207, 209; D15/89;
D13/162, 164
CPC A47J 31/44; A47J 31/00; A47J 31/407;
B67D 1/0041; B67D 3/00
See application file for complete search history.

(57) **CLAIM**
The ornamental design for a beverage dispenser, as shown and described.

DESCRIPTION

FIG. 1 illustrates a front perspective view of a beverage dispenser showing our new design;
FIG. 2 illustrates a front elevational view thereof;
FIG. 3 illustrates a rear elevational view thereof;
FIG. 4 illustrates a top plan view thereof;
FIG. 5 illustrates a bottom plan view thereof;
FIG. 6 illustrates a right side elevational view thereof; and,
FIG. 7 illustrates a left side elevational view thereof.
The ornamental design that is claimed is shown in solid lines in the drawings.
The broken lines depict portions of the beverage dispenser that form no part of the claimed design.

- (56) **References Cited**
U.S. PATENT DOCUMENTS
RE32,115 E * 4/1986 Lockwood G07B 1/02
194/217

1 Claim, 7 Drawing Sheets

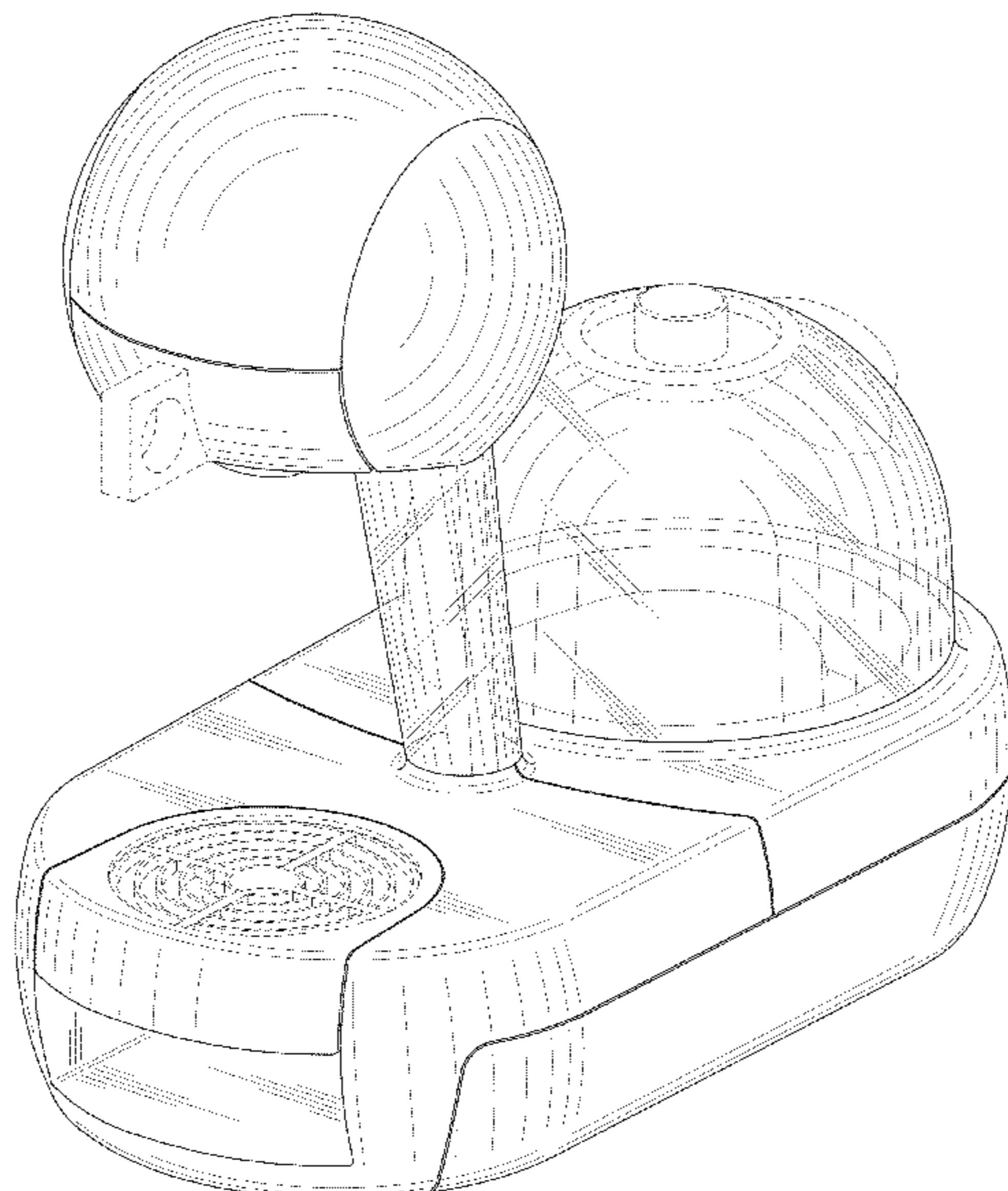


FIG. 1

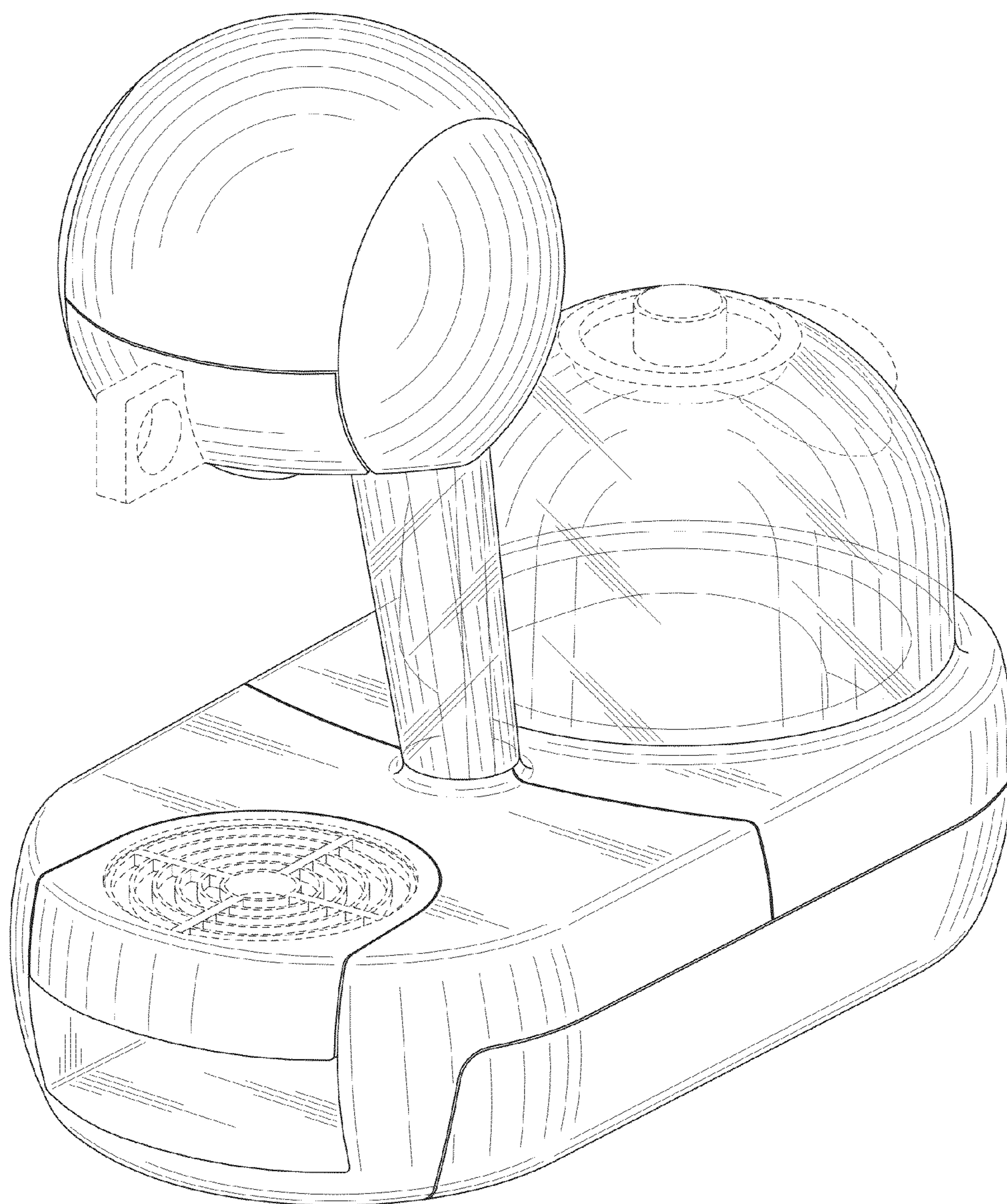


FIG. 2

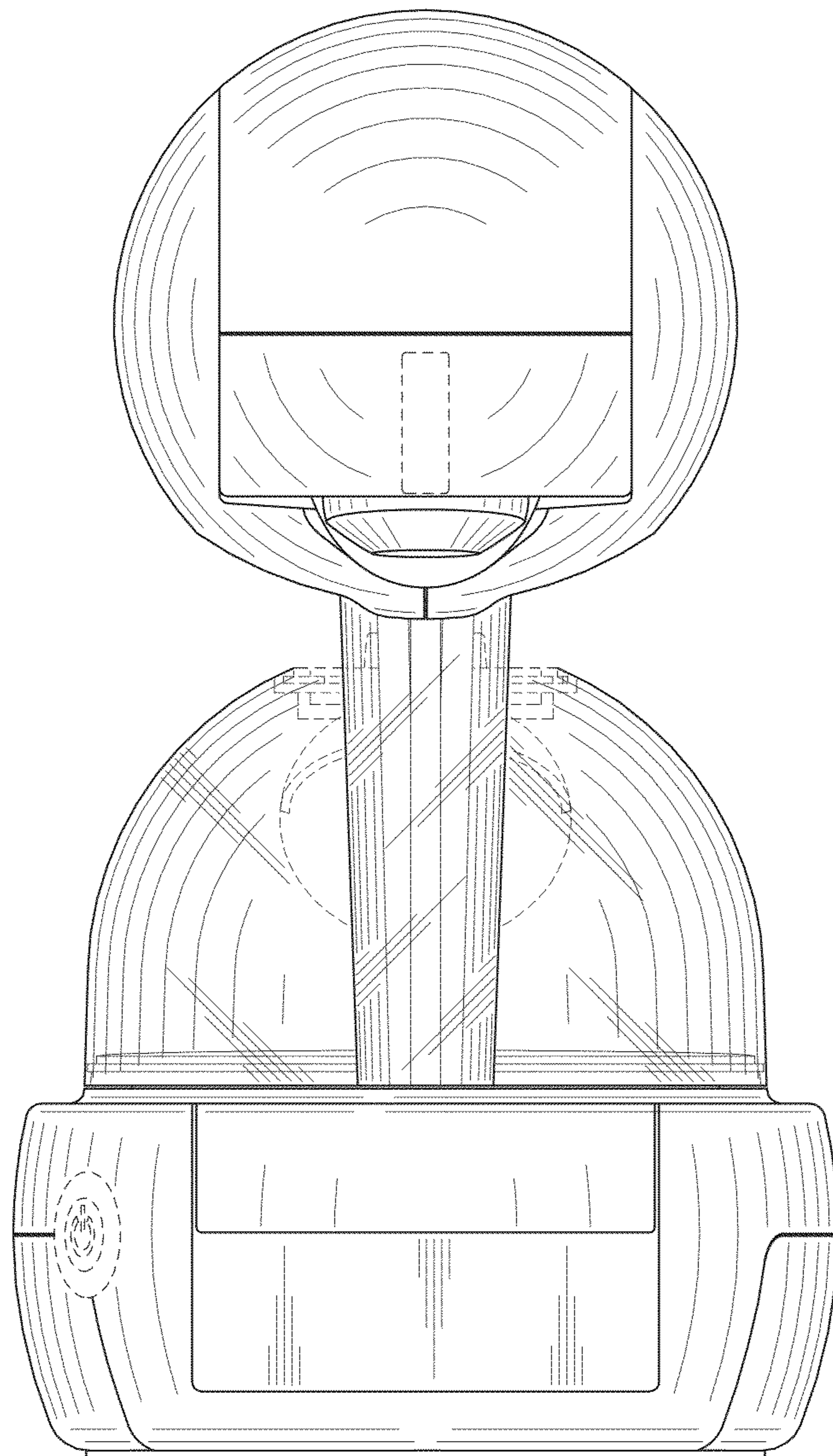


FIG. 3

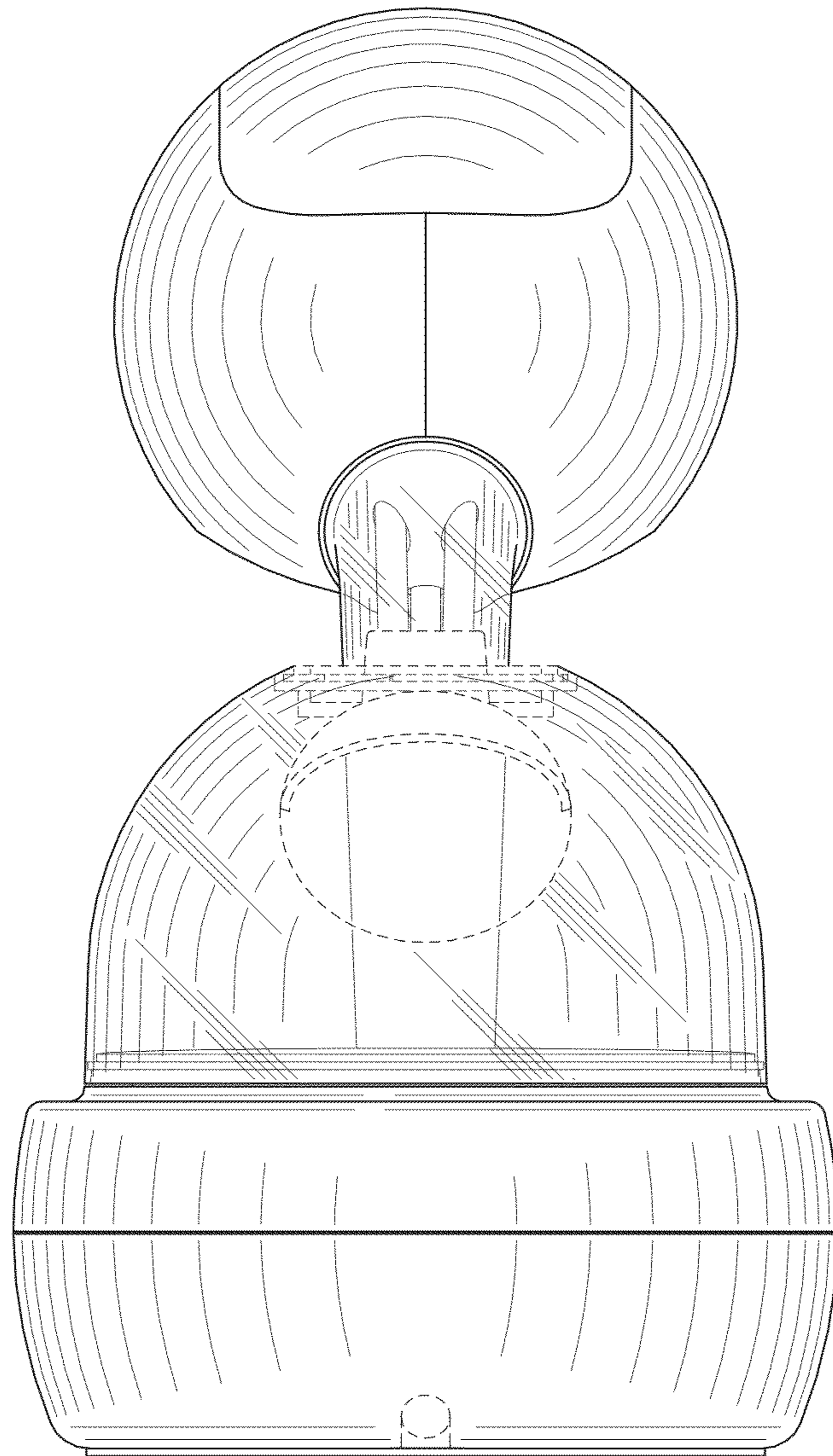


FIG. 4

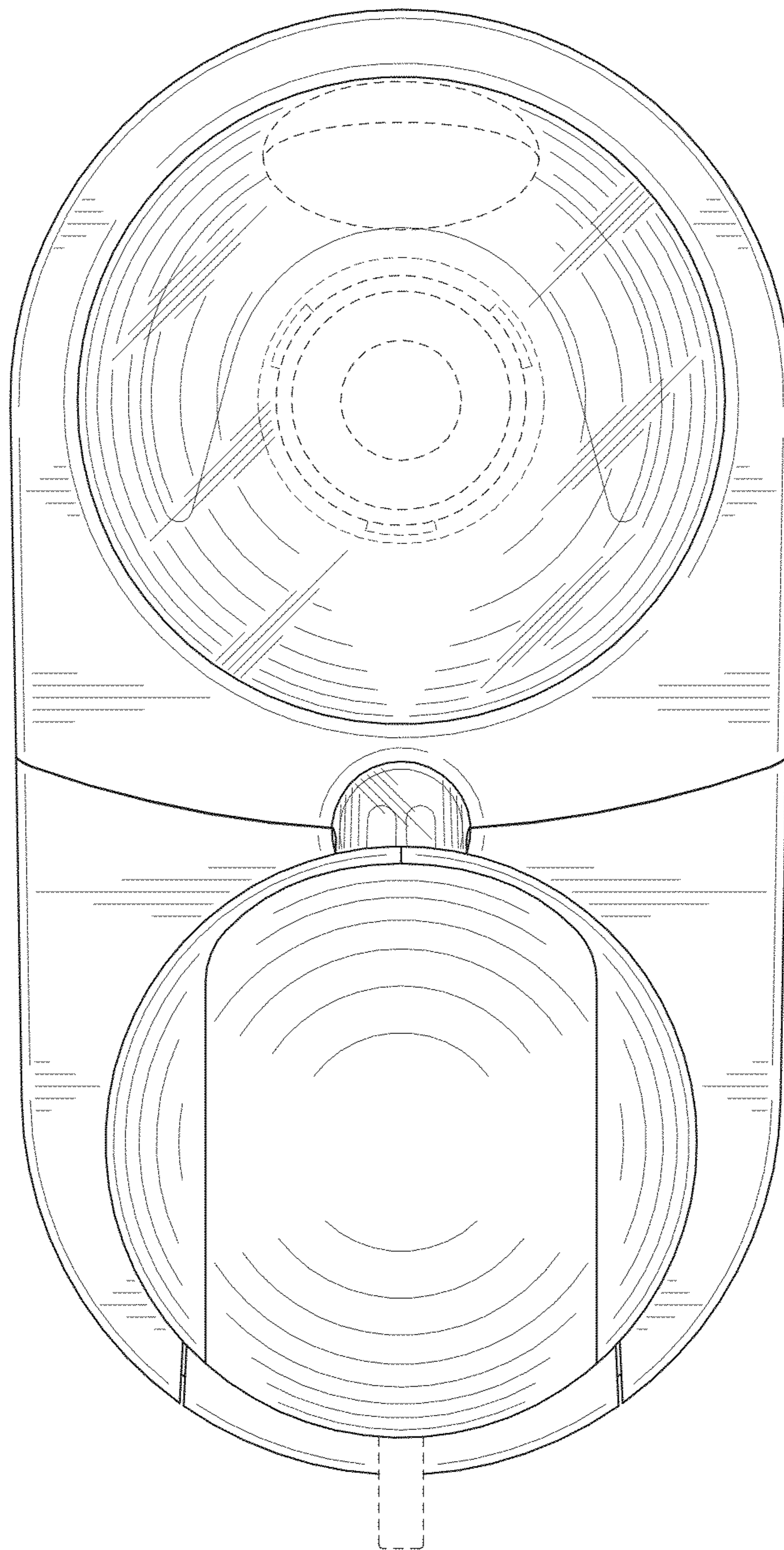


FIG. 5

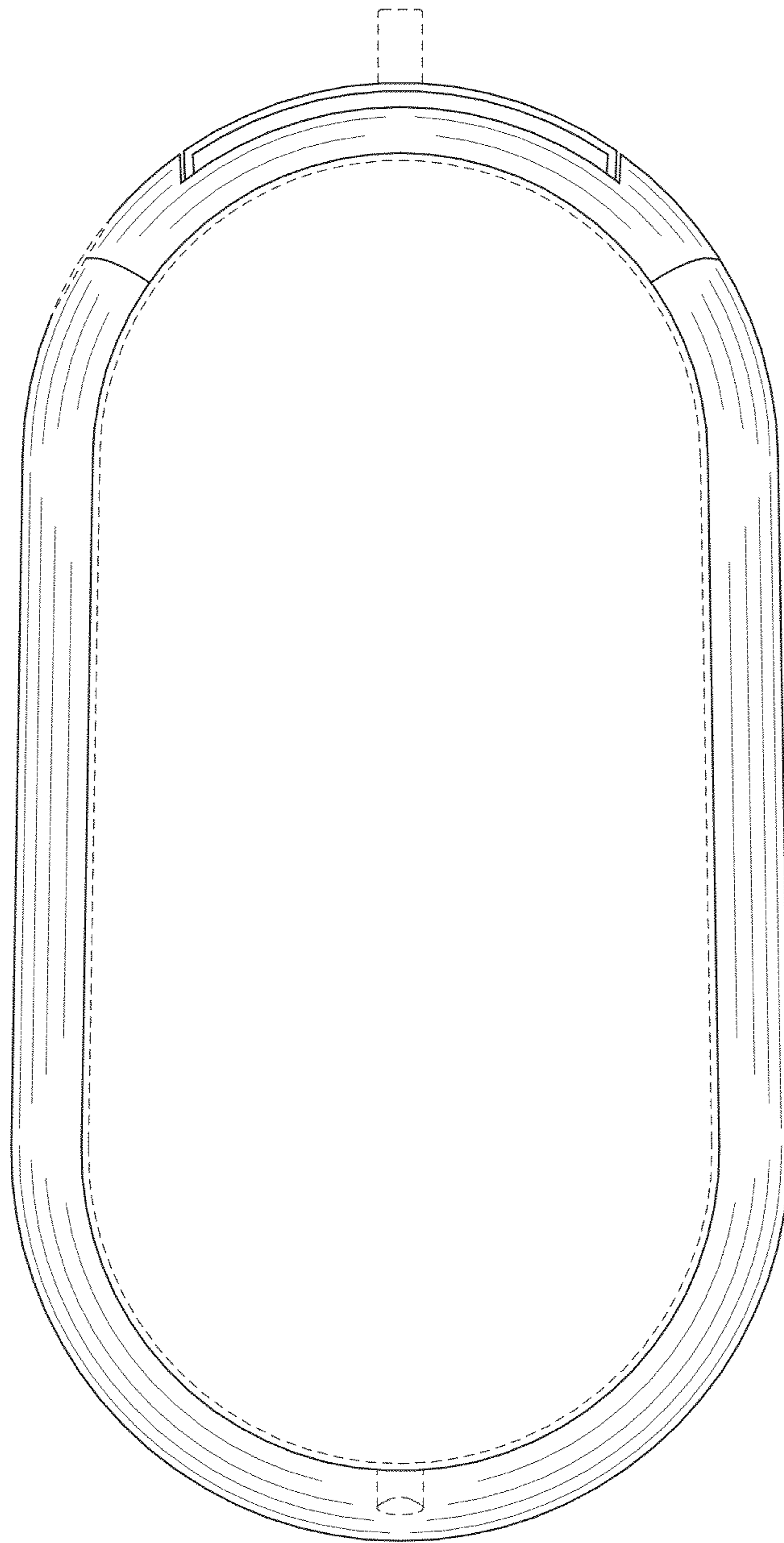


FIG. 6

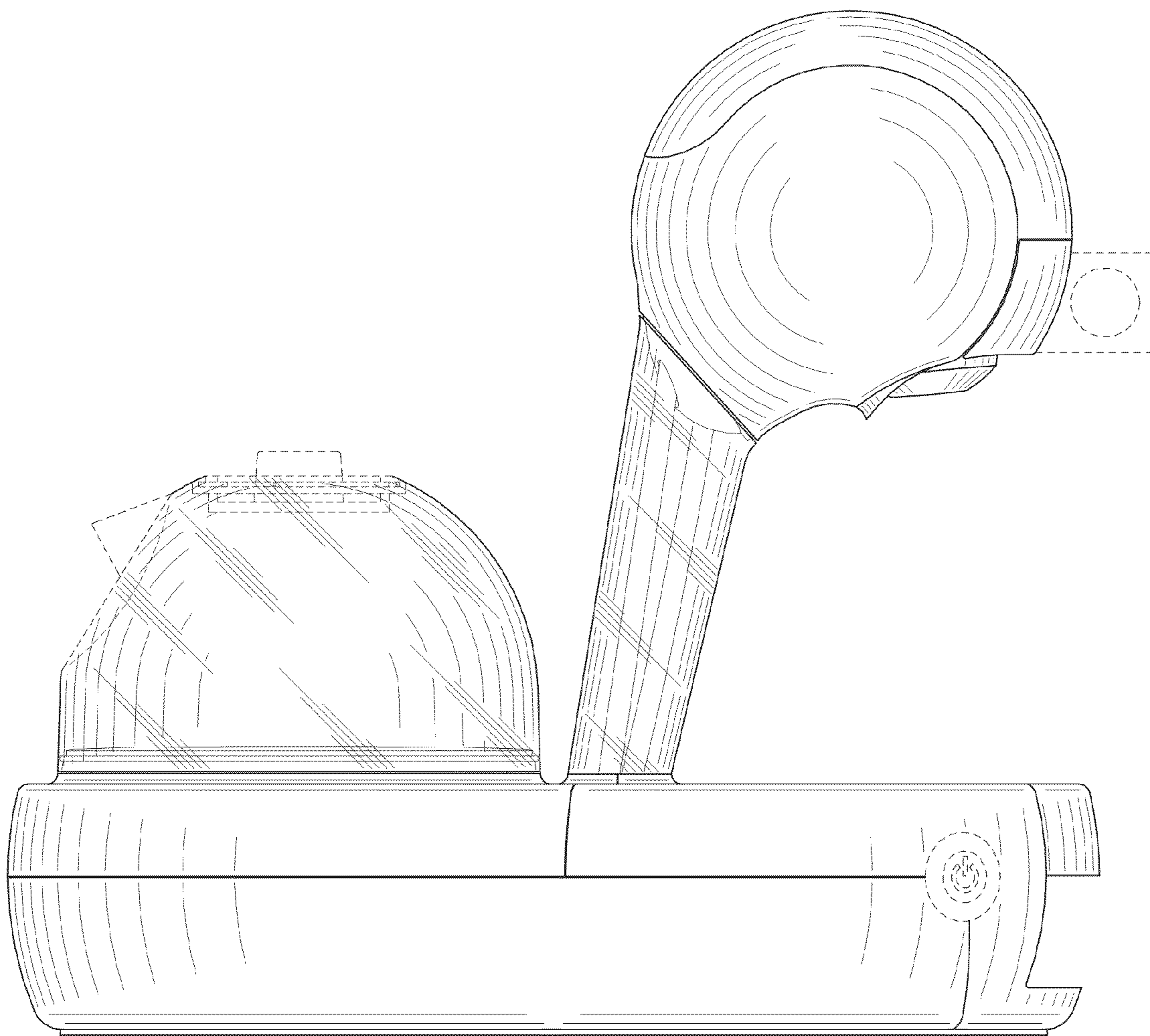


FIG. 7

