



US00D758775S

(12) **United States Design Patent**
Stirling

(10) **Patent No.:** **US D758,775 S**
(45) **Date of Patent:** **** Jun. 14, 2016**

- (54) **BENCH**
- (71) Applicant: **Steven O. Stirling**, Nashua, IA (US)
- (72) Inventor: **Steven O. Stirling**, Nashua, IA (US)
- (**) Term: **14 Years**
- (21) Appl. No.: **29/509,328**
- (22) Filed: **Nov. 17, 2014**
- (51) **LOC (10) Cl.** **06-01**
- (52) **U.S. Cl.**
USPC **D6/717**
- (58) **Field of Classification Search**
USPC D6/334-336, 370-381, 708, 716,
D6/716.1-716.4, 717
CPC A47C 4/03; A47C 5/06; A47C 5/12;
A47C 7/16; A47C 11/00; A47C 15/002
See application file for complete search history.

- D523,263 S * 6/2006 Skalka D6/717
- D564,802 S * 3/2008 Weimer D6/717
- D578,808 S * 10/2008 Pappas D6/716
- D614,885 S * 5/2010 Haaf, Jr. D6/381
- D670,513 S * 11/2012 Haaf D6/708
- D689,293 S * 9/2013 Watton D6/370
- D689,320 S * 9/2013 Watton D6/717

* cited by examiner

Primary Examiner — Ricky Pham

(74) *Attorney, Agent, or Firm* — David M. Breiner; Camille L. Urban

(57) **CLAIM**

I claim the ornamental design for a bench, substantially as shown and described.

DESCRIPTION

FIG. 1 is a perspective view of the front of the bench; FIG. 2 is an elevation view of the front of the bench; FIG. 3 is an elevation view of the rear of the bench; FIG. 4 is an elevation view of one side of the bench; FIG. 5 is an elevation view of one side of the bench; FIG. 6 is a top plan view of the bench; and, FIG. 7 is a bottom plan view of the bench.

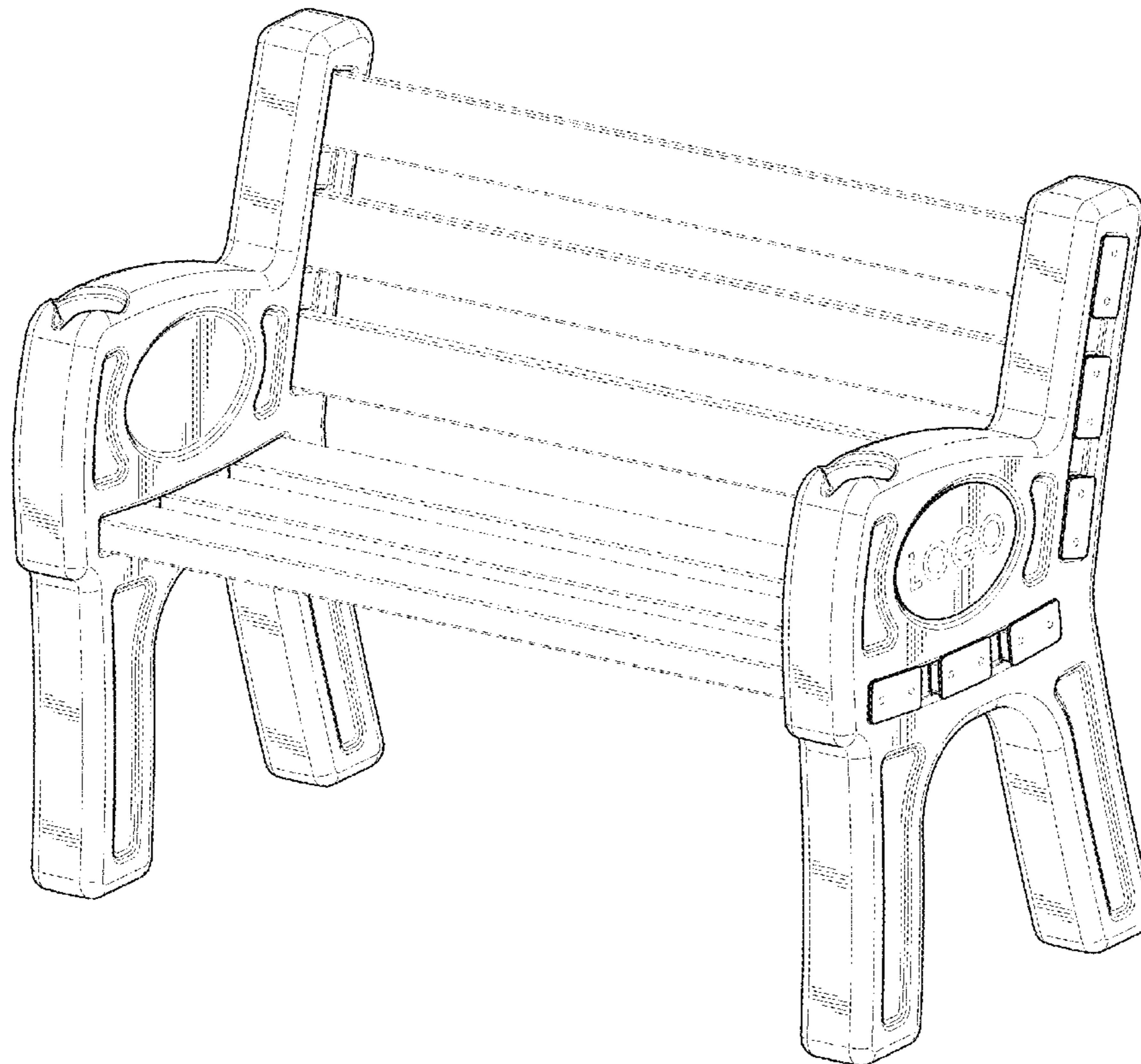
The broken lines showing portions of the design in all figures is included for the purpose of illustrating environment and unclaimed features and forms not part of the claimed design.

1 Claim, 7 Drawing Sheets

(56) **References Cited**

U.S. PATENT DOCUMENTS

- D376,937 S * 12/1996 Skalka D6/717
- D419,004 S * 1/2000 Collins D6/717
- D419,341 S * 1/2000 Chipman D6/381
- D458,475 S * 6/2002 Hecht D6/717
- D467,101 S * 12/2002 Hughes D6/717
- D476,494 S * 7/2003 Hecht D6/370



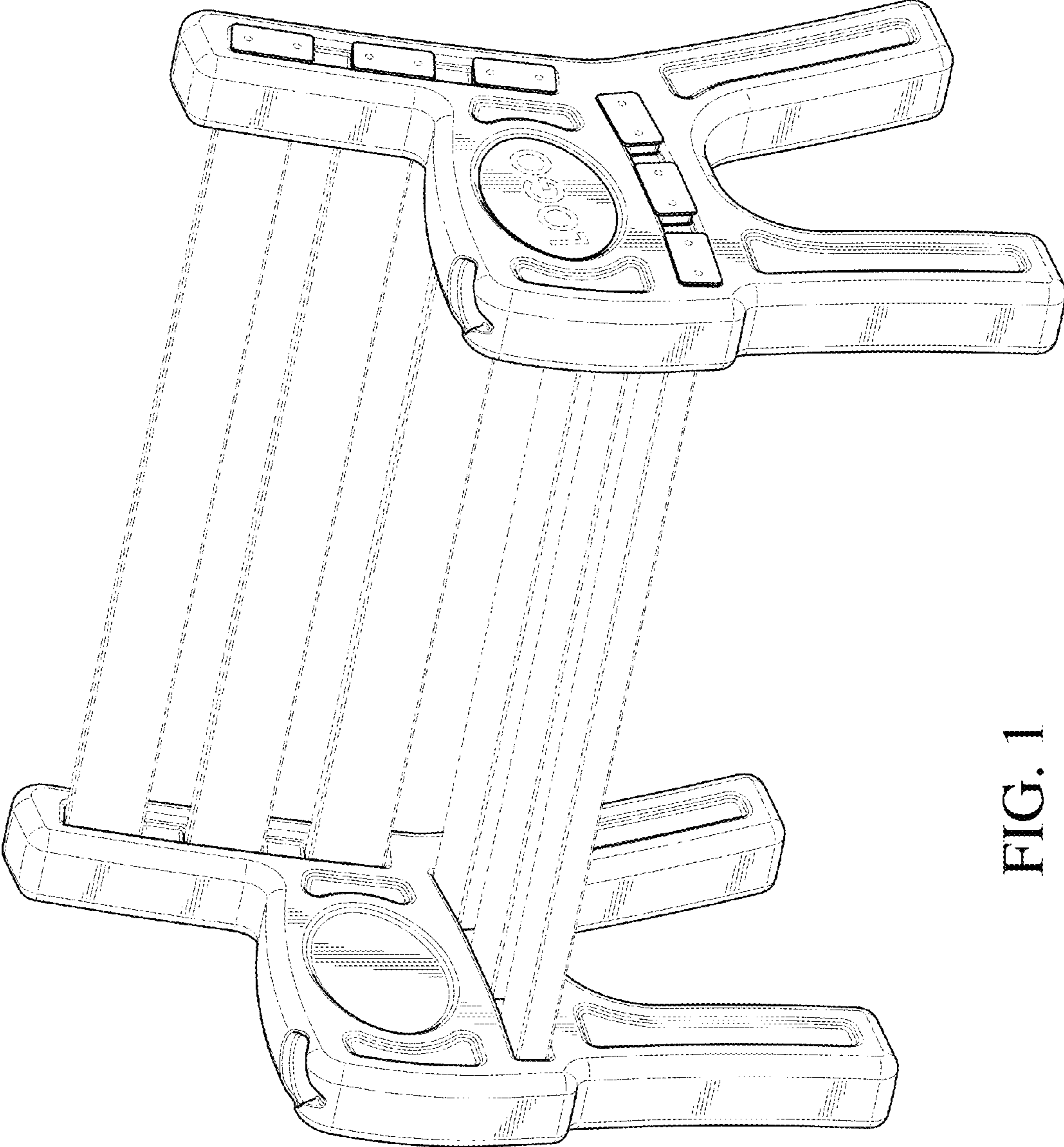


FIG. 1

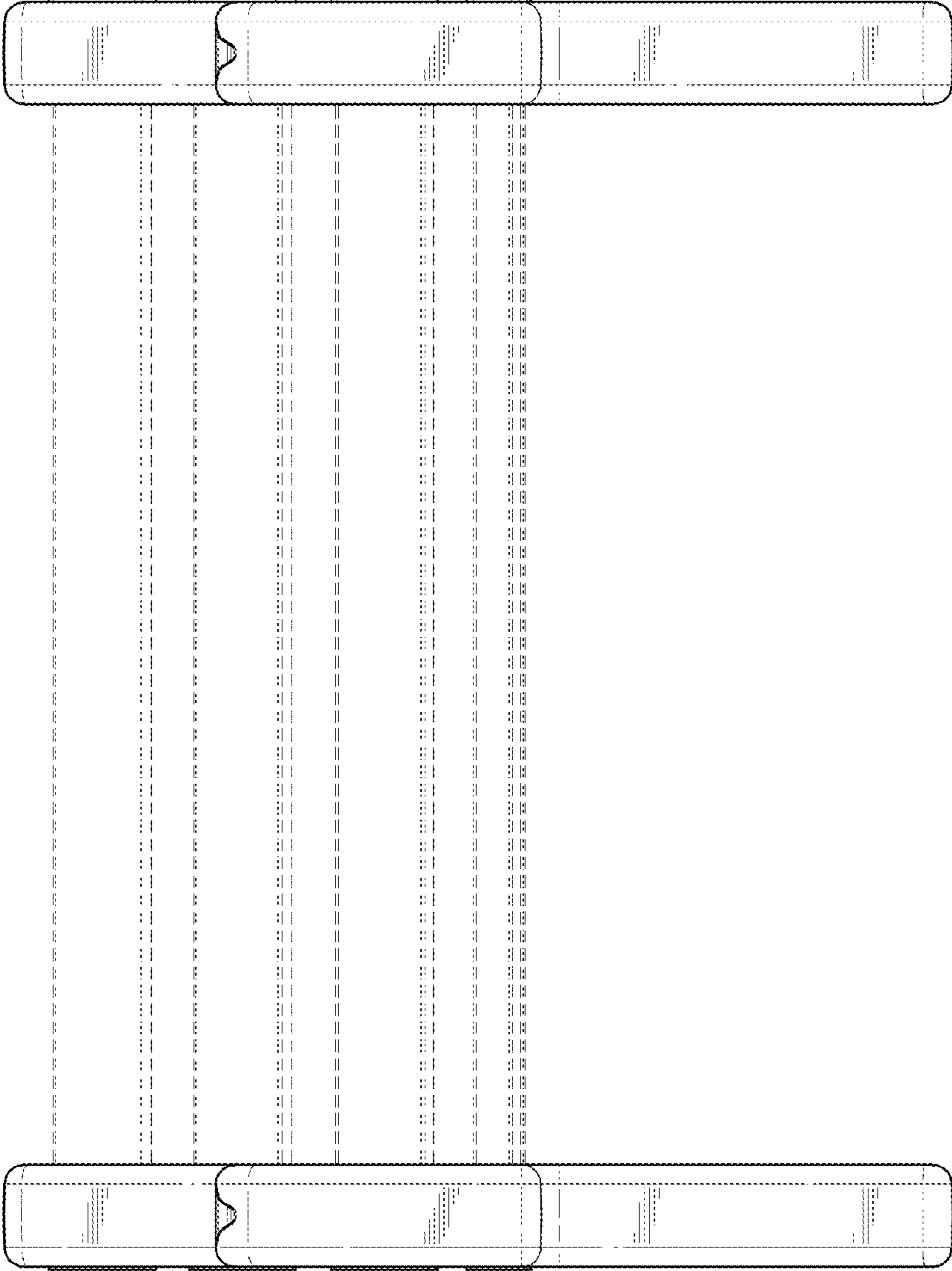


FIG. 2

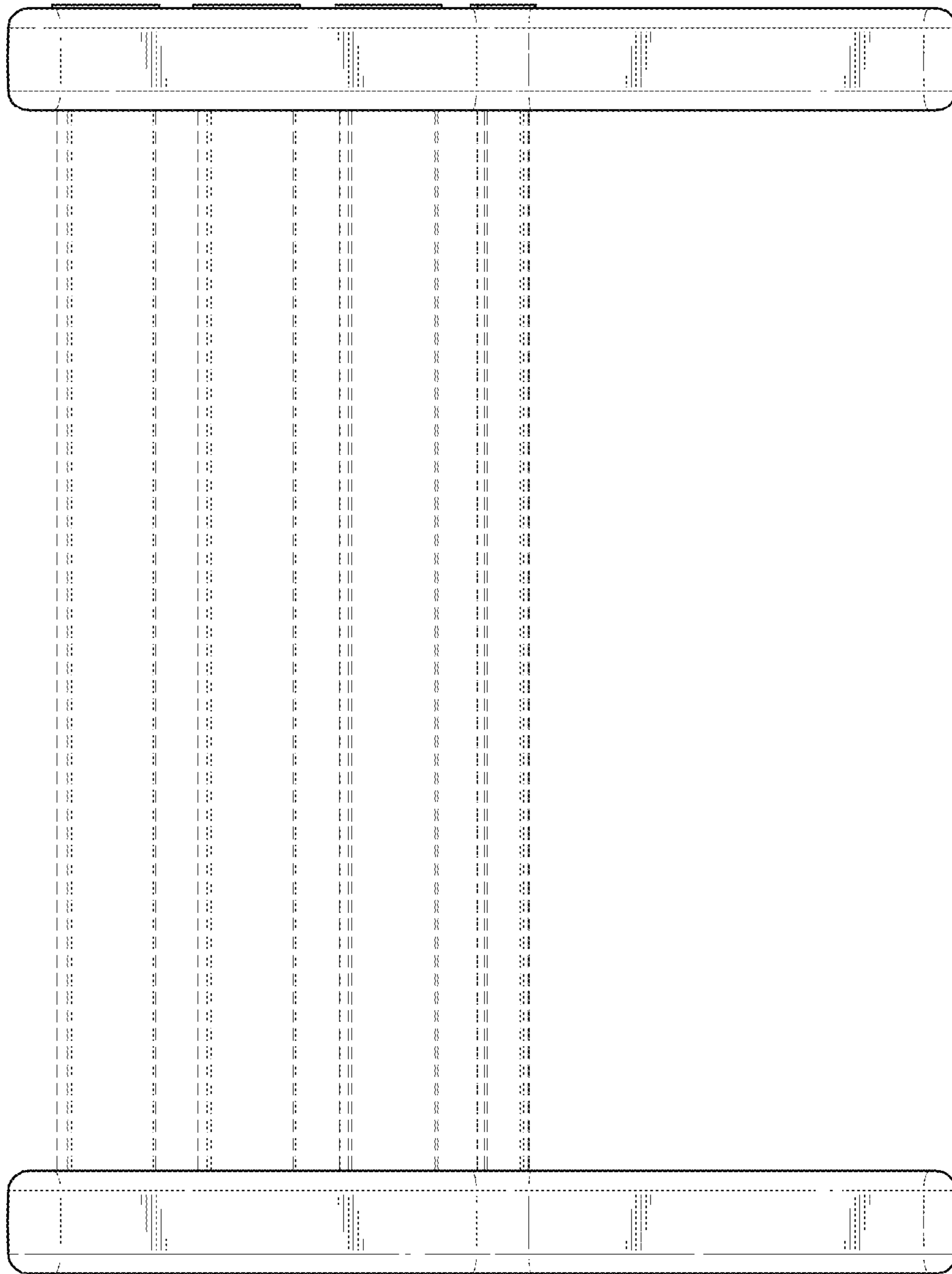


FIG. 3

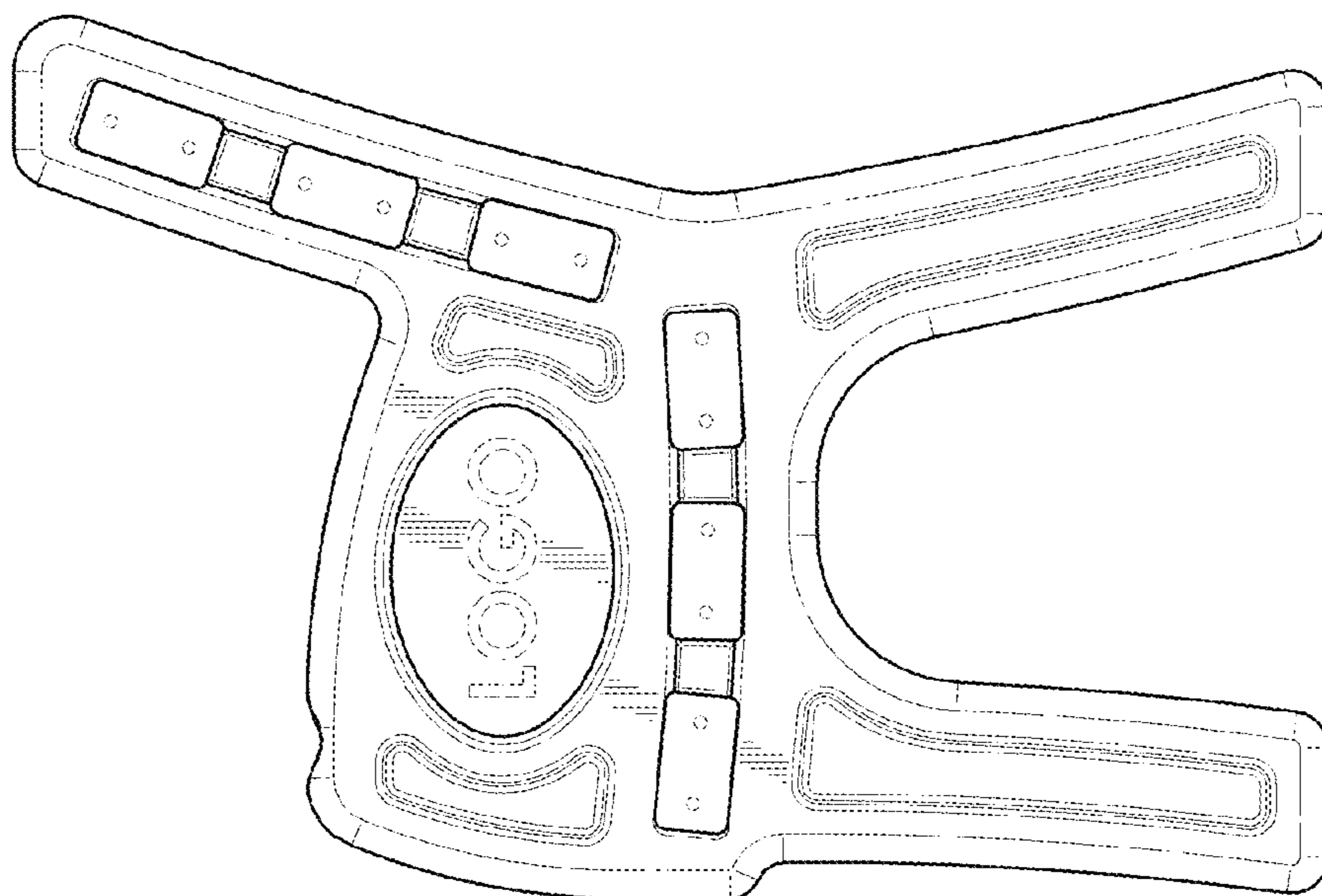


FIG. 4

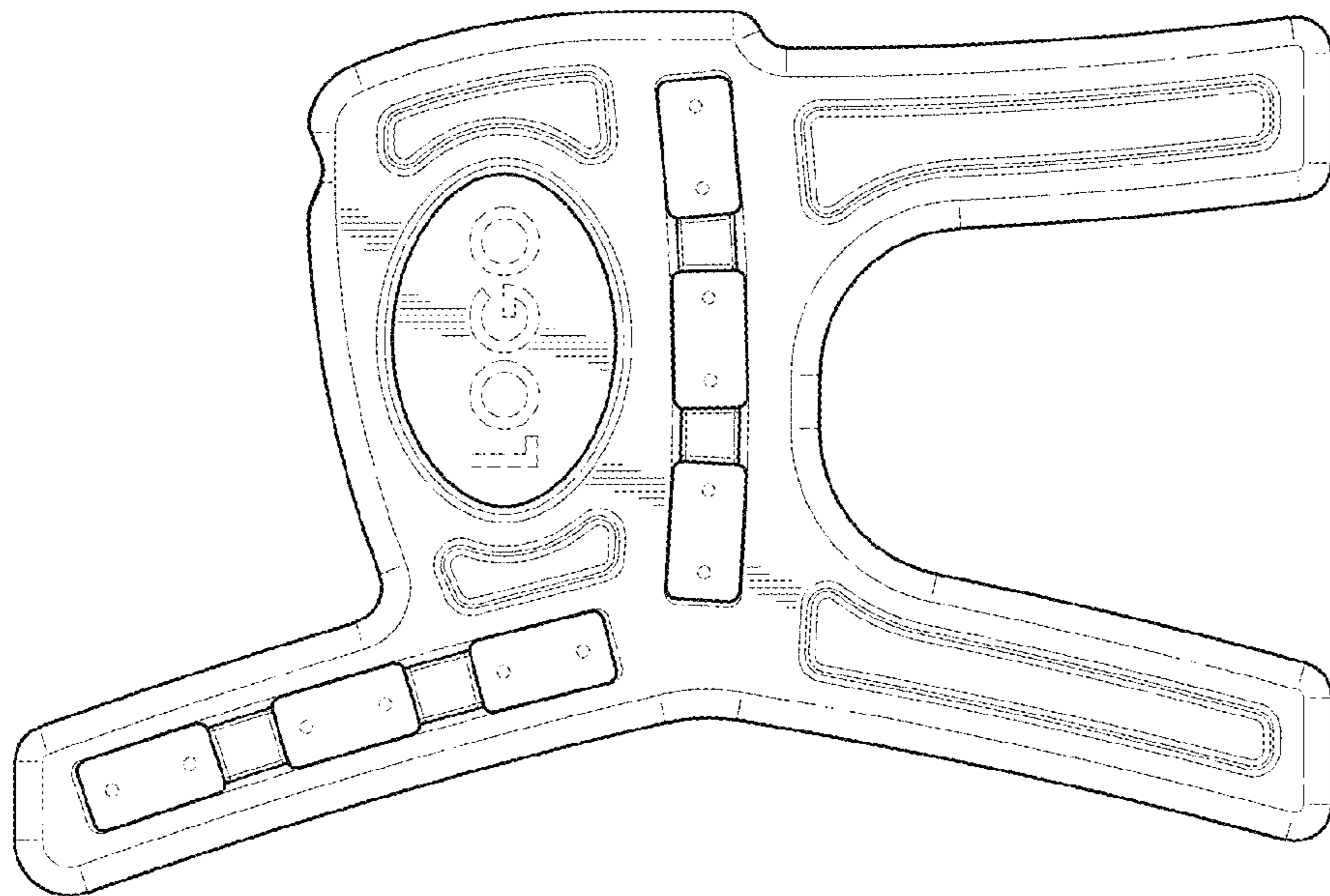


FIG. 5

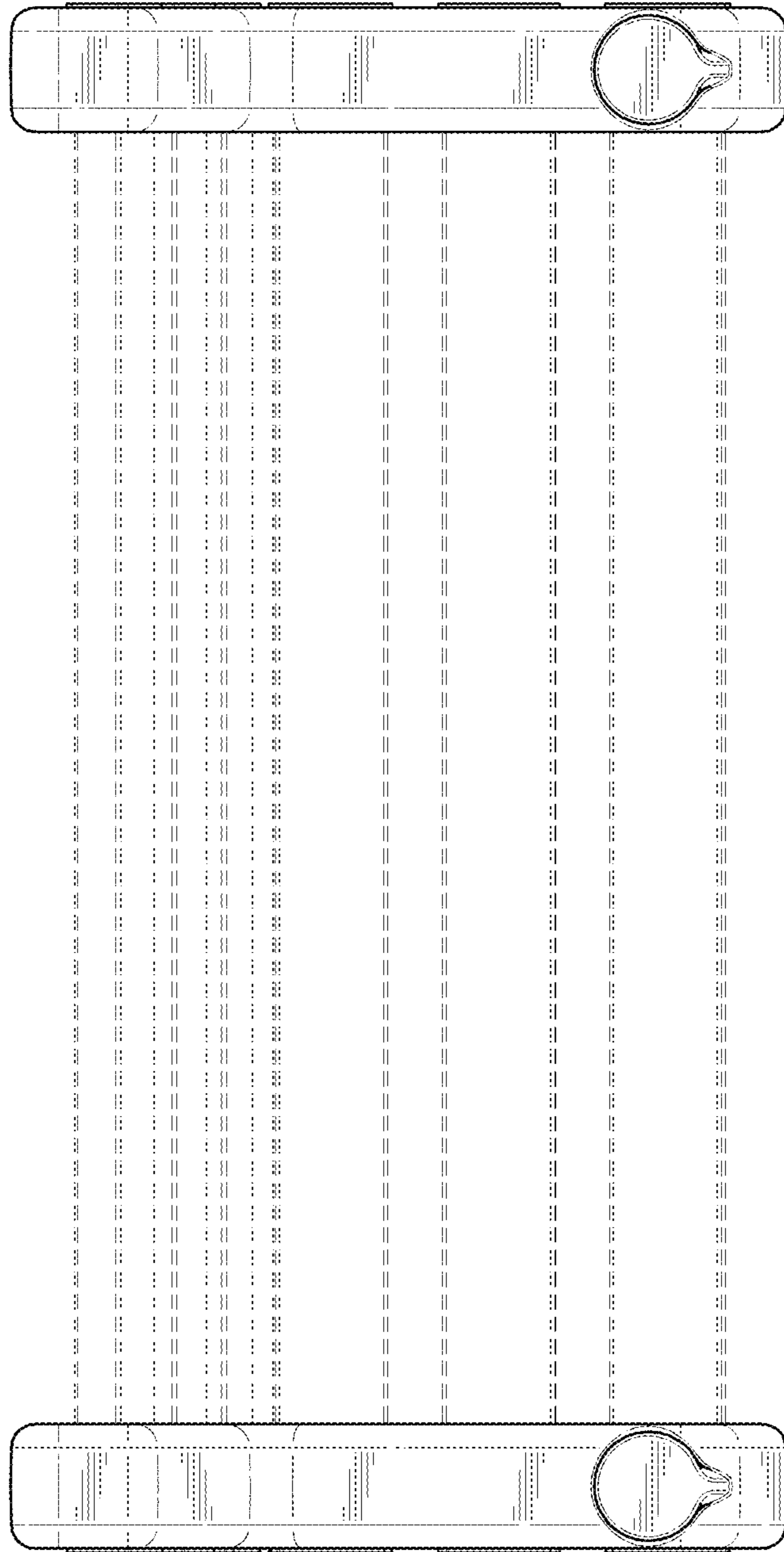


FIG. 6

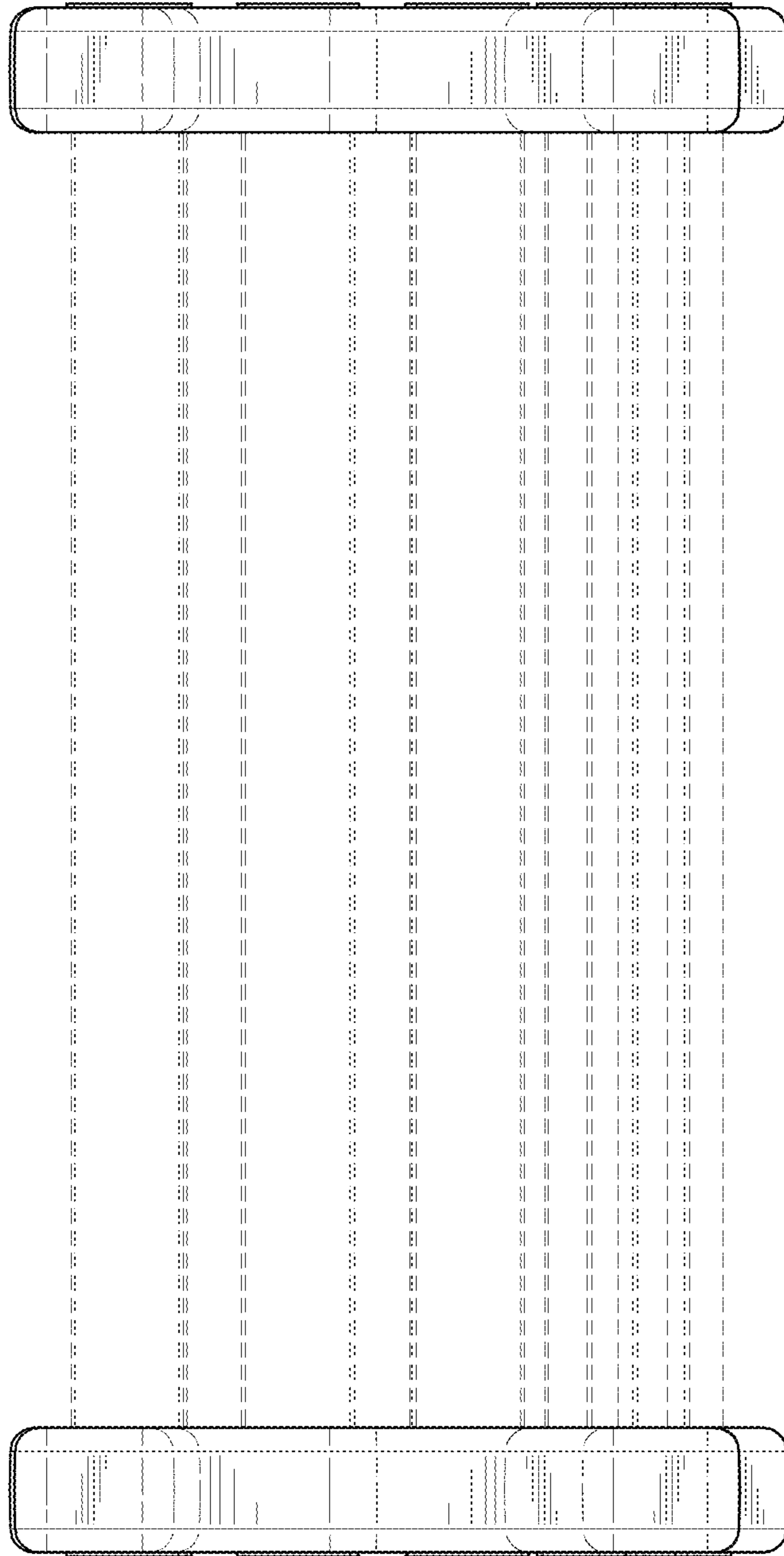


FIG. 7