



US00D758773S

(12) **United States Design Patent**
Kim et al.

(10) **Patent No.:** **US D758,773 S**
(45) **Date of Patent:** **** Jun. 14, 2016**

(54) **DISPLAY BOOTH**

CPC .. A47B 83/001; A47B 21/06; A47B 2200/01;
A47B 2037/005; E04B 2002/7483; E04B
2002/7488; H02G 3/288
See application file for complete search history.

(71) Applicant: **Samsung Electronics Co., Ltd.**,
Suwon-si (KR)

(72) Inventors: **Sangtae Kim**, Sunghnam-si (KR);
Chi-won Kim, Kunpo-si (KR); **Aeran
Park**, Suwon-si (KR); **Anna Jung**, Seoul
(KR)

(56) **References Cited**

U.S. PATENT DOCUMENTS

D236,482 S * 8/1975 Clayton D14/305
D246,407 S 11/1977 Holdam, Jr.
D258,789 S 4/1981 Verdesca

(Continued)

(73) Assignee: **Samsung Electronics Co., Ltd.**,
Suwon-si (KR)

(**) Term: **15 Years**

FOREIGN PATENT DOCUMENTS

(21) Appl. No.: **29/538,269**

CN 303343839 * 12/2014
KR 300704943.0000 8/2013

(22) Filed: **Sep. 2, 2015**

Primary Examiner — Sheryl Lane
Assistant Examiner — Catherine Posthauer
(74) *Attorney, Agent, or Firm* — NSIP Law

Related U.S. Application Data

(63) Continuation of application No. 29/489,266, filed on
Apr. 29, 2014, now Pat. No. Des. 740,595.

(57) **CLAIM**

We claim the ornamental design for a display booth, as shown
and described.

(30) **Foreign Application Priority Data**

Nov. 6, 2013 (KR) 30-2013-0055891

(51) **LOC (10) Cl.** **06-04**

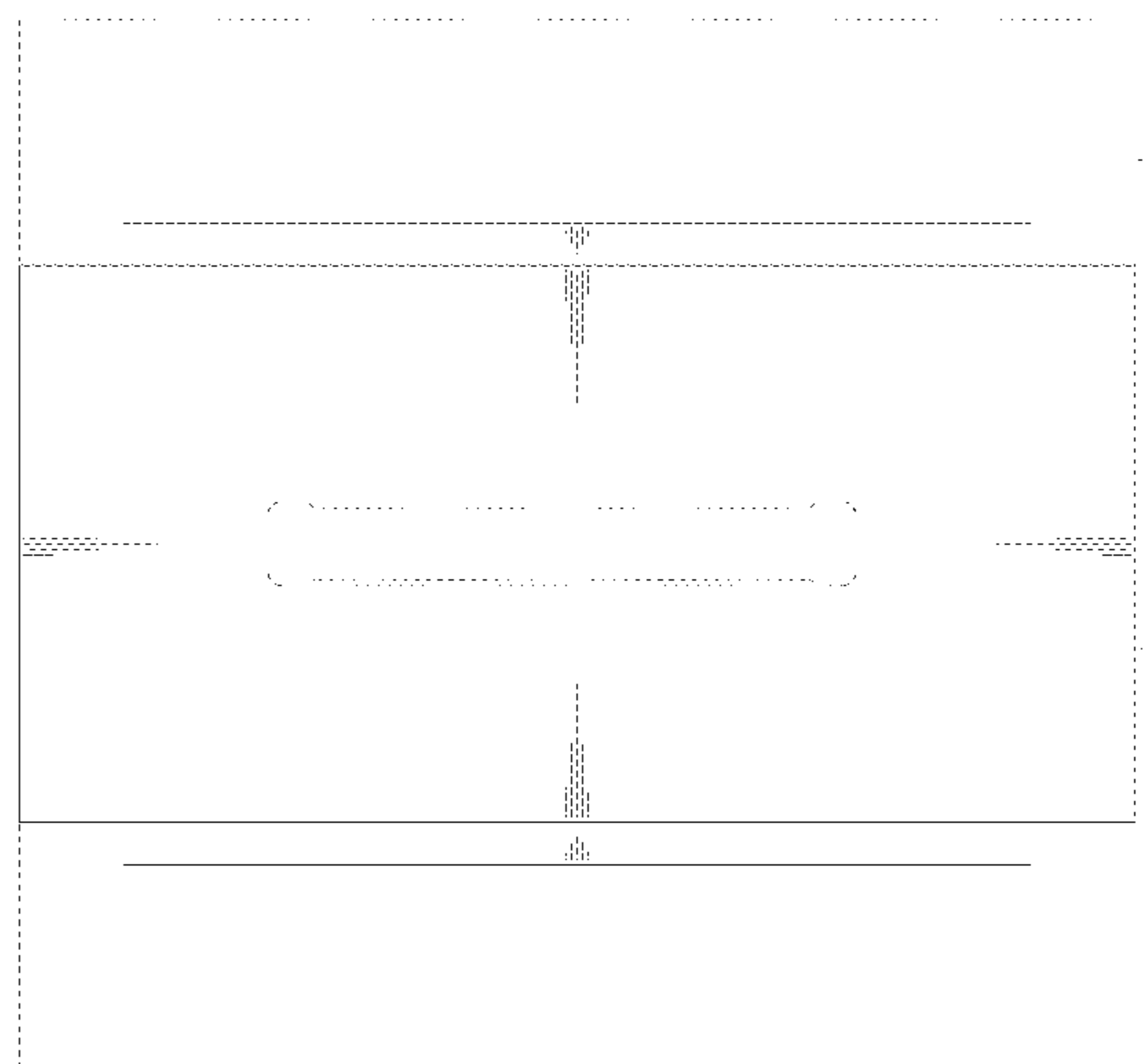
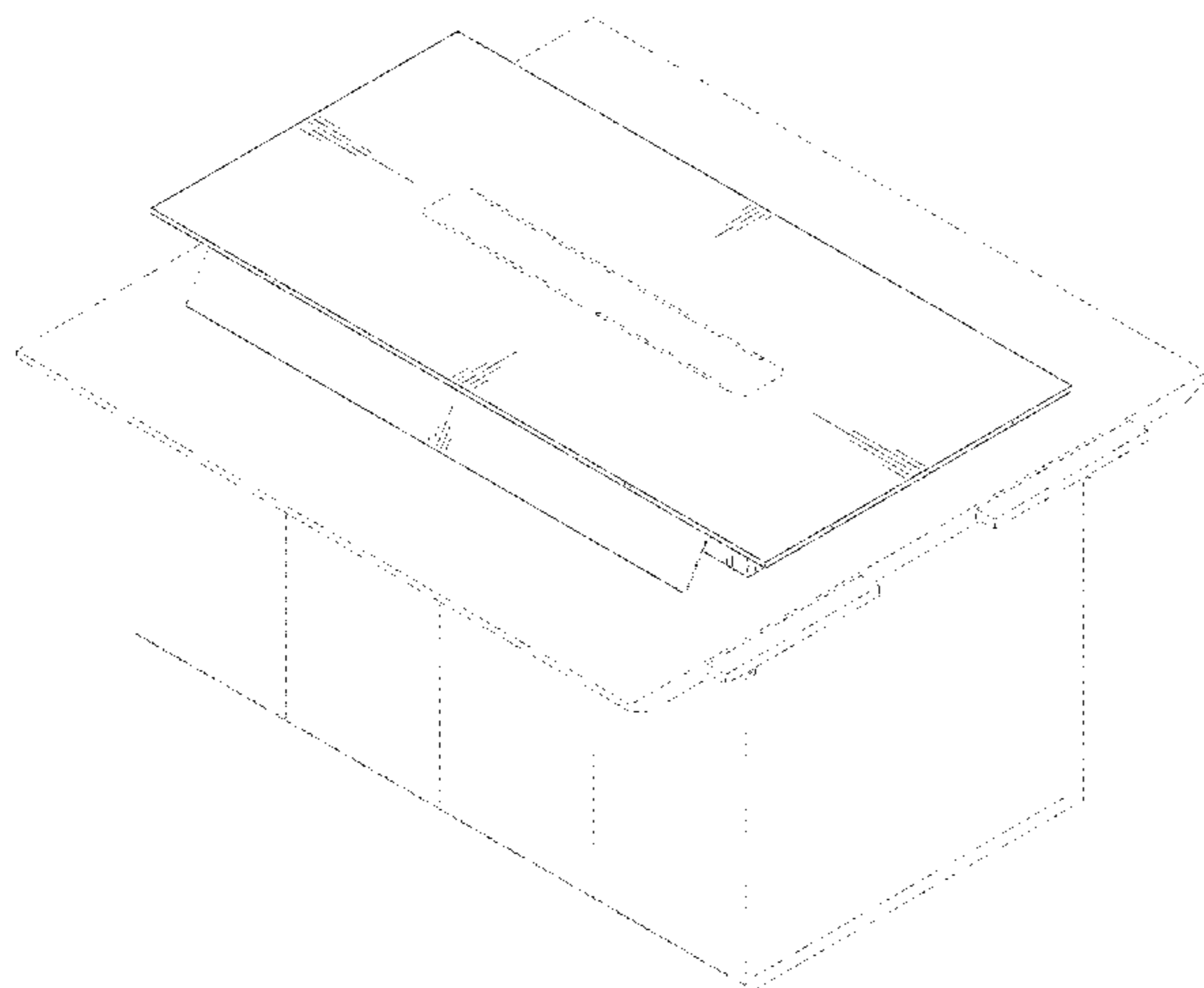
(52) **U.S. Cl.**
USPC **D6/707**; D6/672; D6/700; D6/675

(58) **Field of Classification Search**
USPC D6/641, 643, 651, 672, 673, 675, 675.3,
D6/689, 700, 707, 1, 707.19; D7/305, 307,
D7/334, 339, 341; D13/162, 184;
D14/133, 304, 451, 447, 900, 902;
D21/385, 419, 506, 509, 521, 797;
D24/185, 233; D25/1-35; 52/33, 36.1,
52/79.1-79.6, 80.1, 80.2, 90.1, 90.2,
52/91.1-91.3, 92.1-92.3, 93.1, 93.2,
52/169.6, 220.7, 239; 99/331, 483;
108/50.02; 312/198

DESCRIPTION

FIG. 1 is the front perspective view of a display booth show-
ing our new design;
FIG. 2 is a front elevation view thereof;
FIG. 3 is a rear elevation view thereof;
FIG. 4 is a side elevation view thereof;
FIG. 5 is another side elevation view thereof;
FIG. 6 is a top plan view thereof;
FIG. 7 is a bottom plan view thereof;
FIG. 8 is another front perspective view thereof showing an
example usage environment; and,
FIG. 9 is another front perspective view thereof showing an
example usage environment.
The broken lines are shown for the purpose of illustrating
unclaimed portions of the display booth and unclaimed envi-
ronmental structure and form no part of the claimed design.

1 Claim, 9 Drawing Sheets



(56)

References Cited

U.S. PATENT DOCUMENTS

D289,035 S	3/1987	Lepoix					
D293,493 S *	12/1987	Garr	D6/406.6	2009/0050028 A1	2/2009	Liao Fang	
D306,664 S	3/1990	Pouch		2009/0165680 A1 *	7/2009	Bakker	A47B 21/06
D331,338 S *	12/1992	Sussman	D6/675.3				108/50.02
D399,834 S	10/1998	Calfee		2010/0148024 A1 *	6/2010	MacDonald	A47F 9/00
D456,643 S	5/2002	Harner					248/188.6
D570,422 S	6/2008	Beirne et al.		2011/0303127 A1 *	12/2011	Fryshman	A47B 83/001
D571,803 S *	6/2008	Morelock	D14/371				108/50.11
D585,218 S *	1/2009	Hamilton	D6/656	2013/0207478 A1 *	8/2013	Metcalf	A47C 7/70
D591,083 S	4/2009	Singler et al.					307/104
D640,484 S	6/2011	Albert		2013/0334219 A1 *	12/2013	Nagaishi	A47B 21/06
D646,508 S	10/2011	Parizek et al.					220/3.2
D654,290 S	2/2012	Ernst et al.		2014/0265773 A1 *	9/2014	Parshad	A47B 83/001
D677,655 S	3/2013	Sirotych					312/237
D711,171 S *	8/2014	Brielmaier	D6/675	2015/0320203 A1 *	11/2015	Mandon	A47B 21/06
D719,379 S *	12/2014	Tsuchiyama	D6/656				108/20
D740,594 S *	10/2015	Trinh	D6/672				

* cited by examiner

FIG. 1

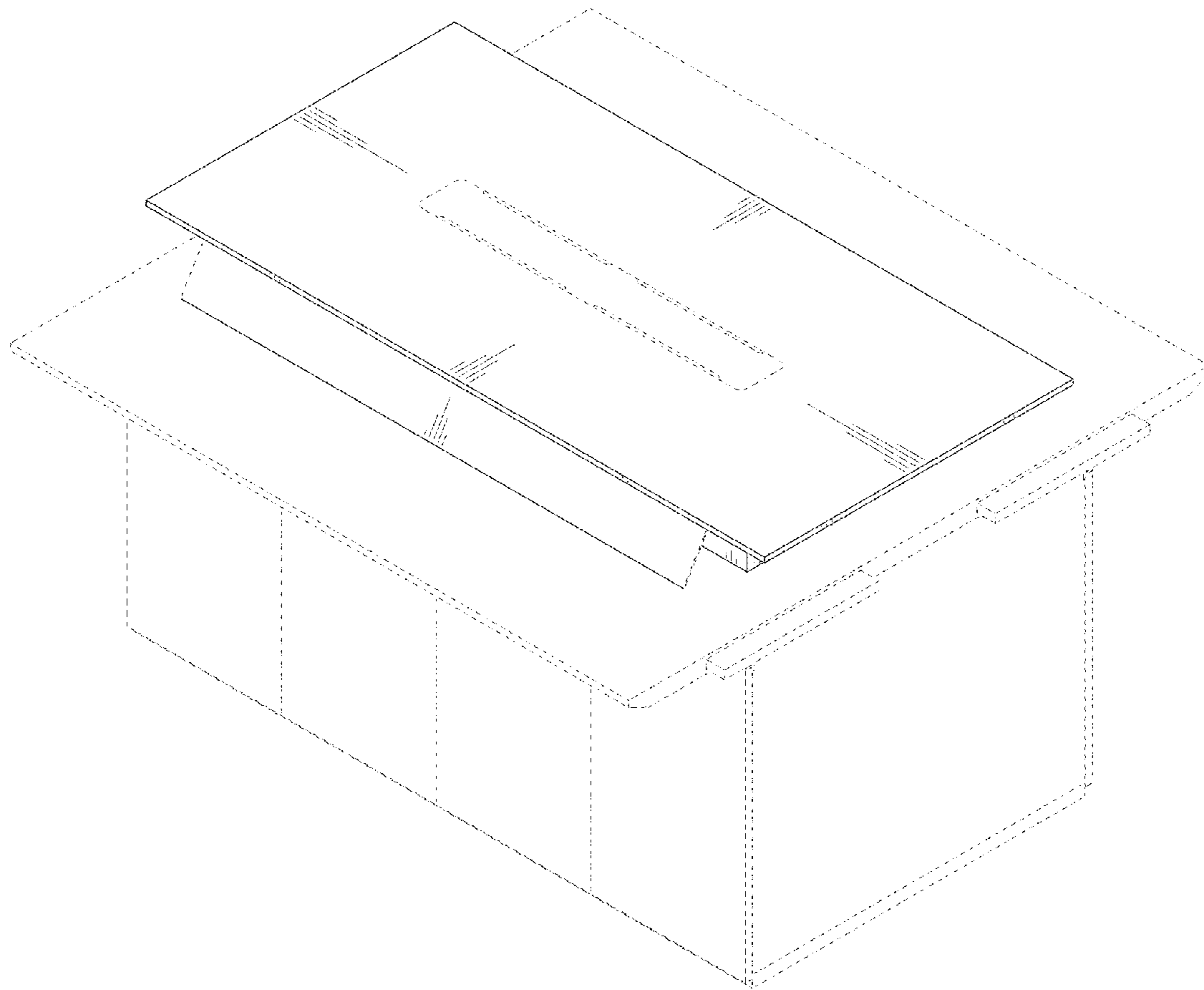


FIG. 2

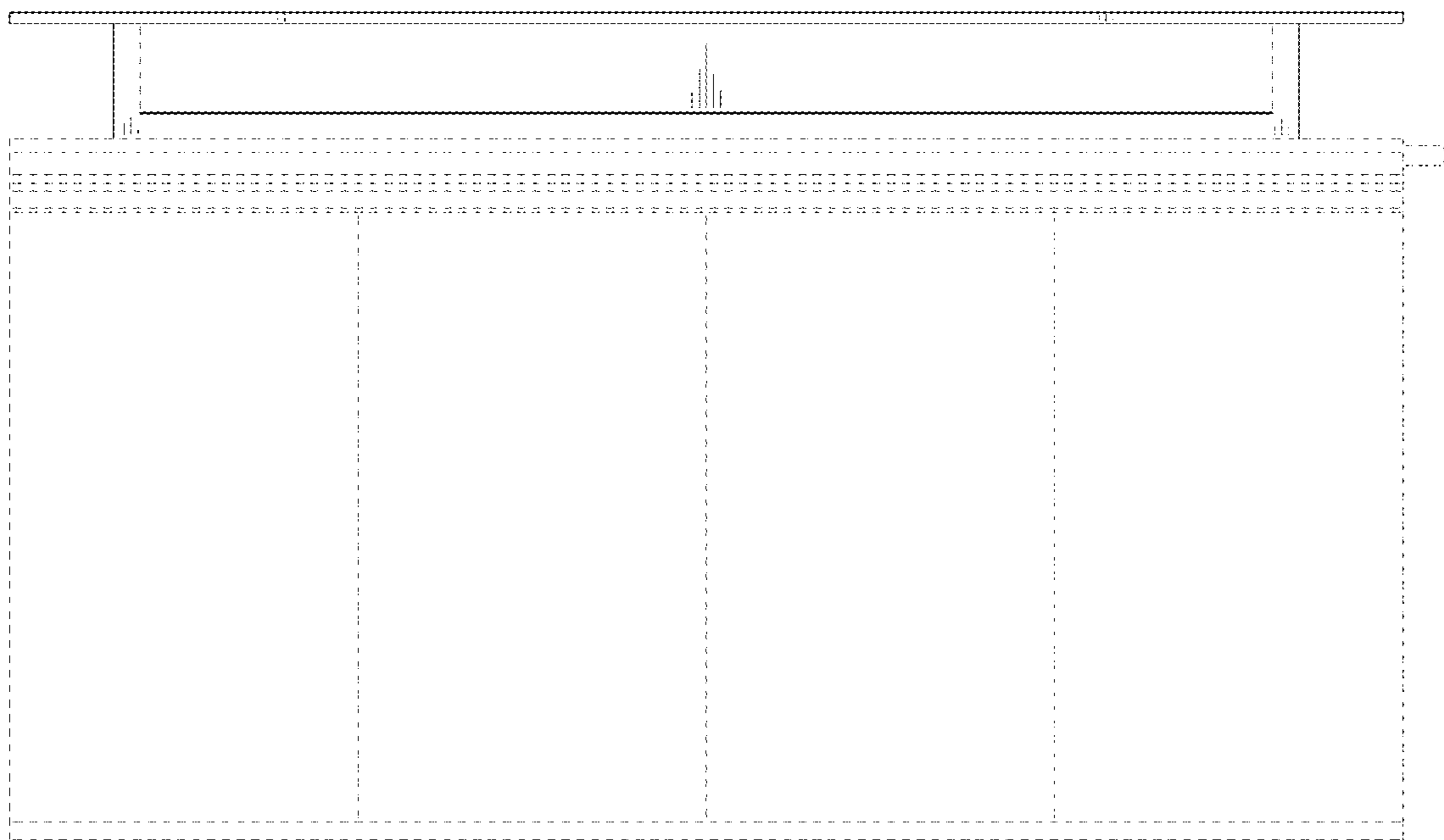


FIG. 3

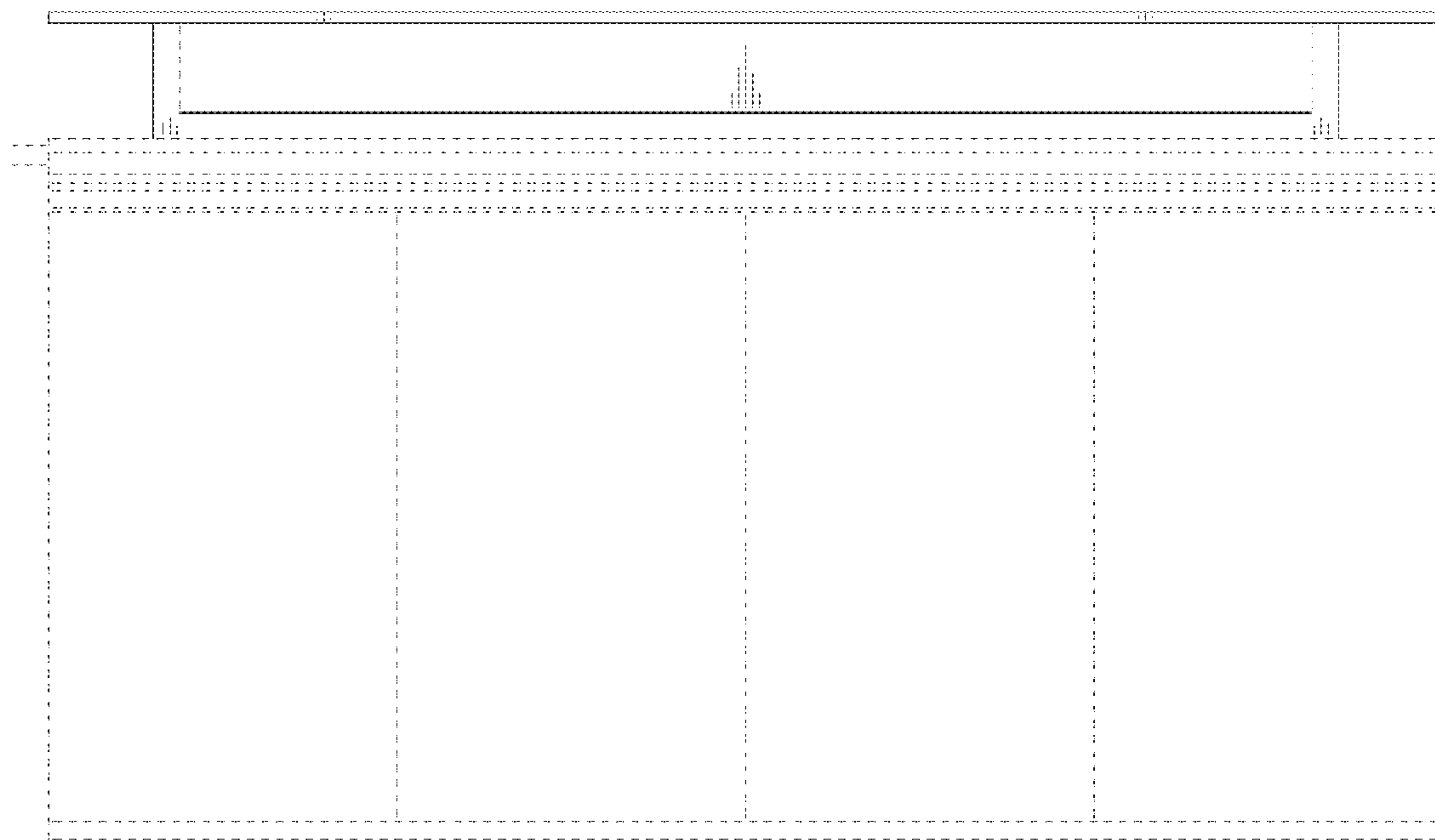


FIG. 4

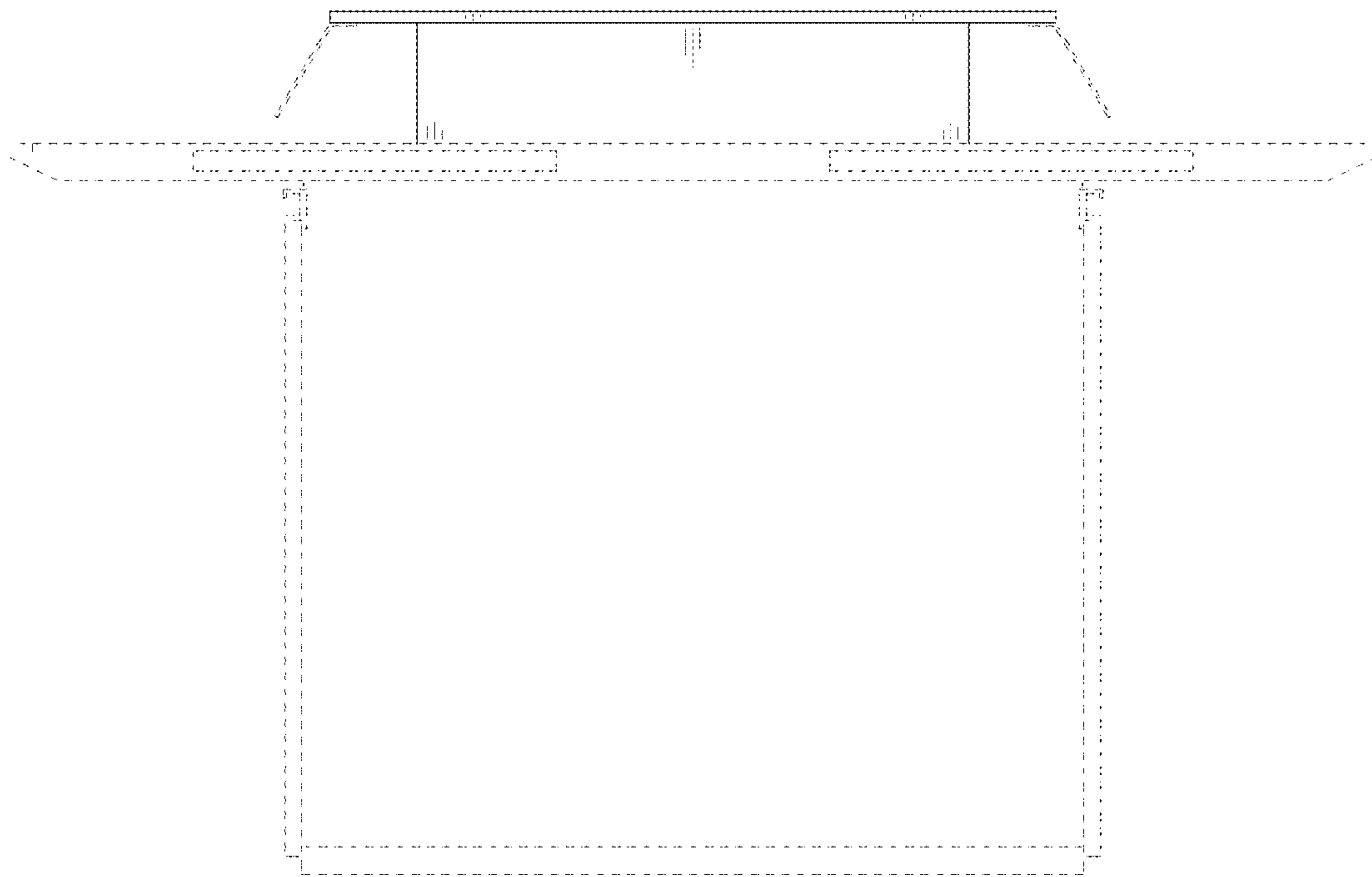


FIG. 5

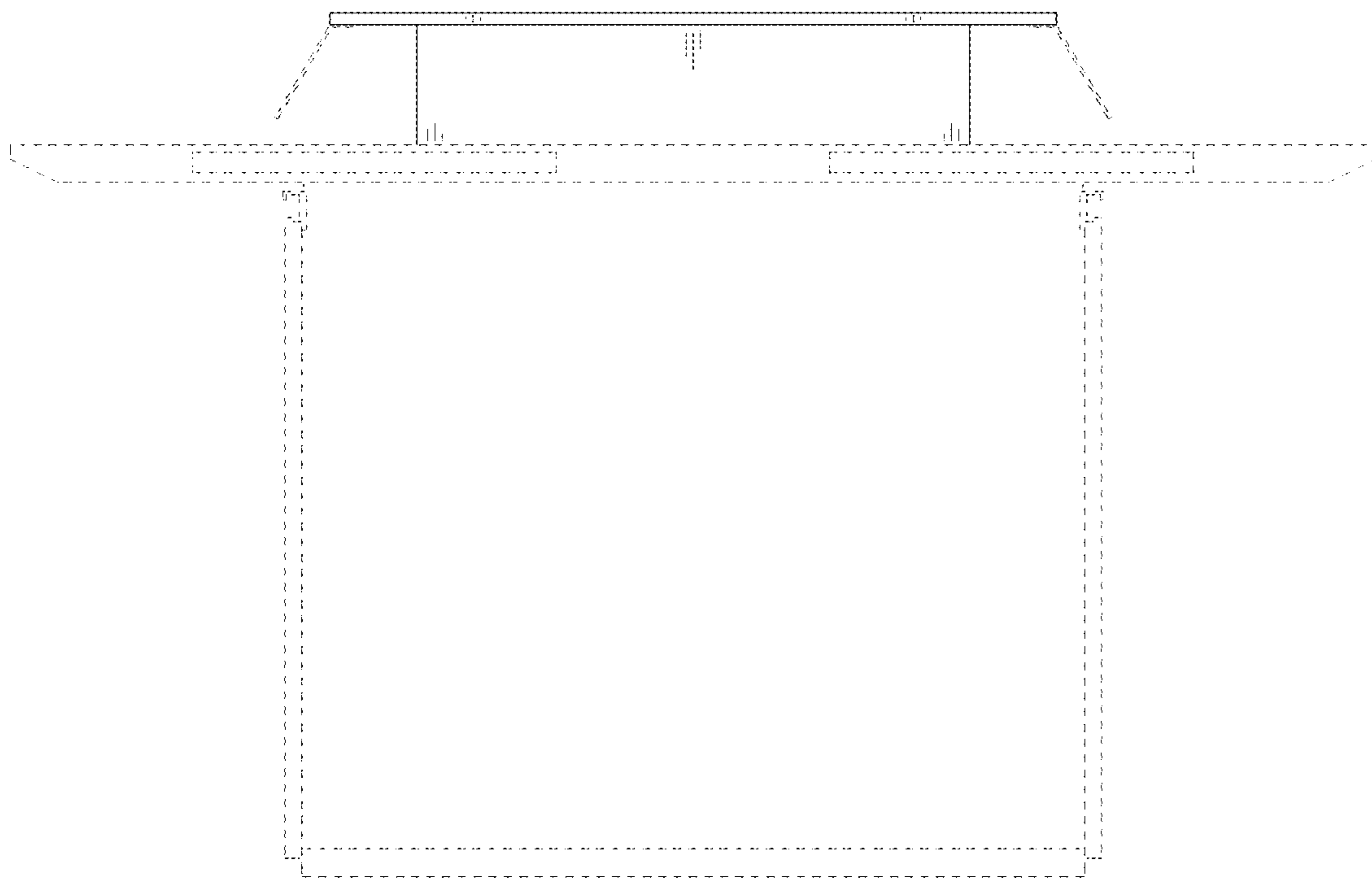


FIG. 6

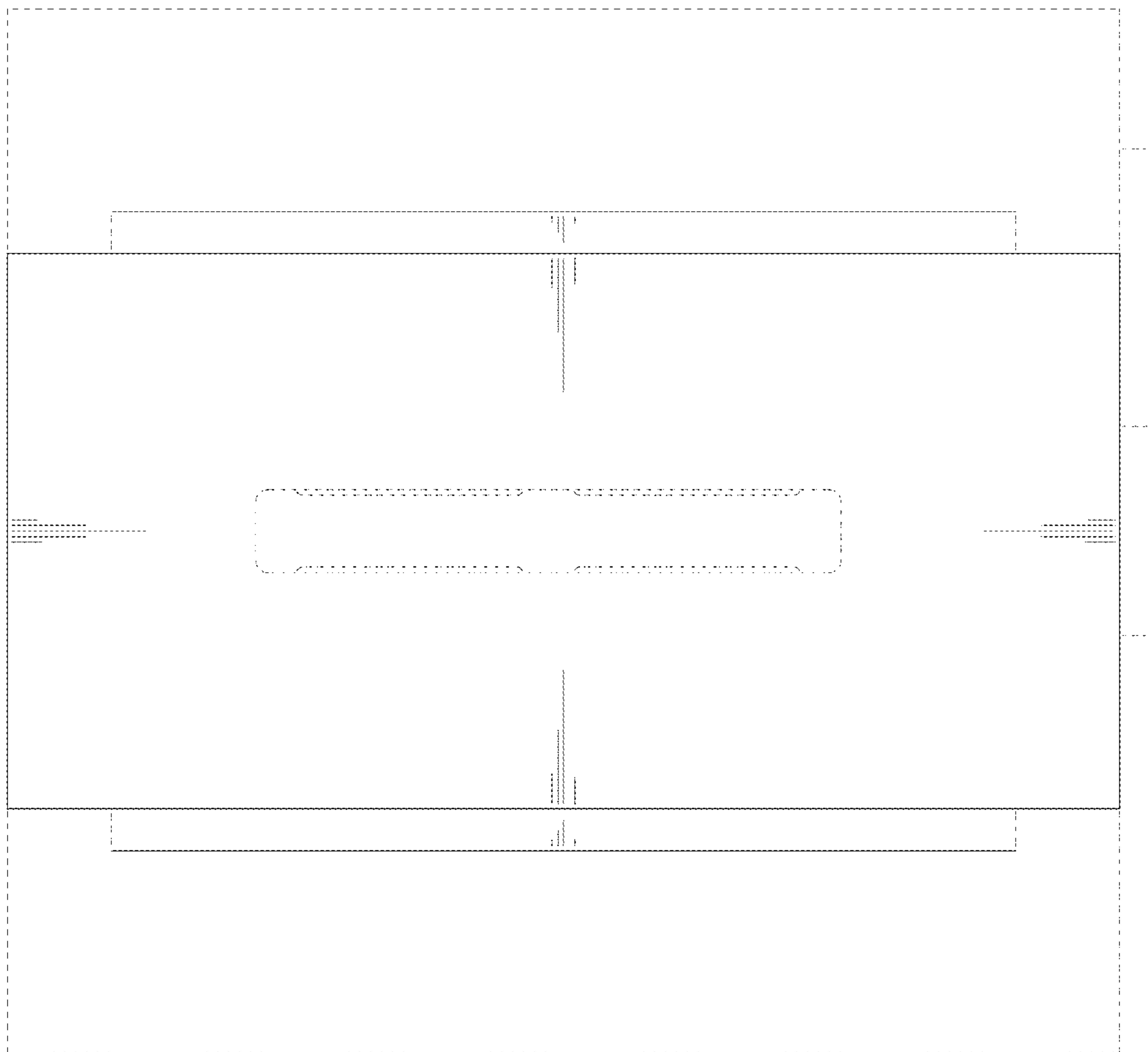


FIG. 7



FIG. 8

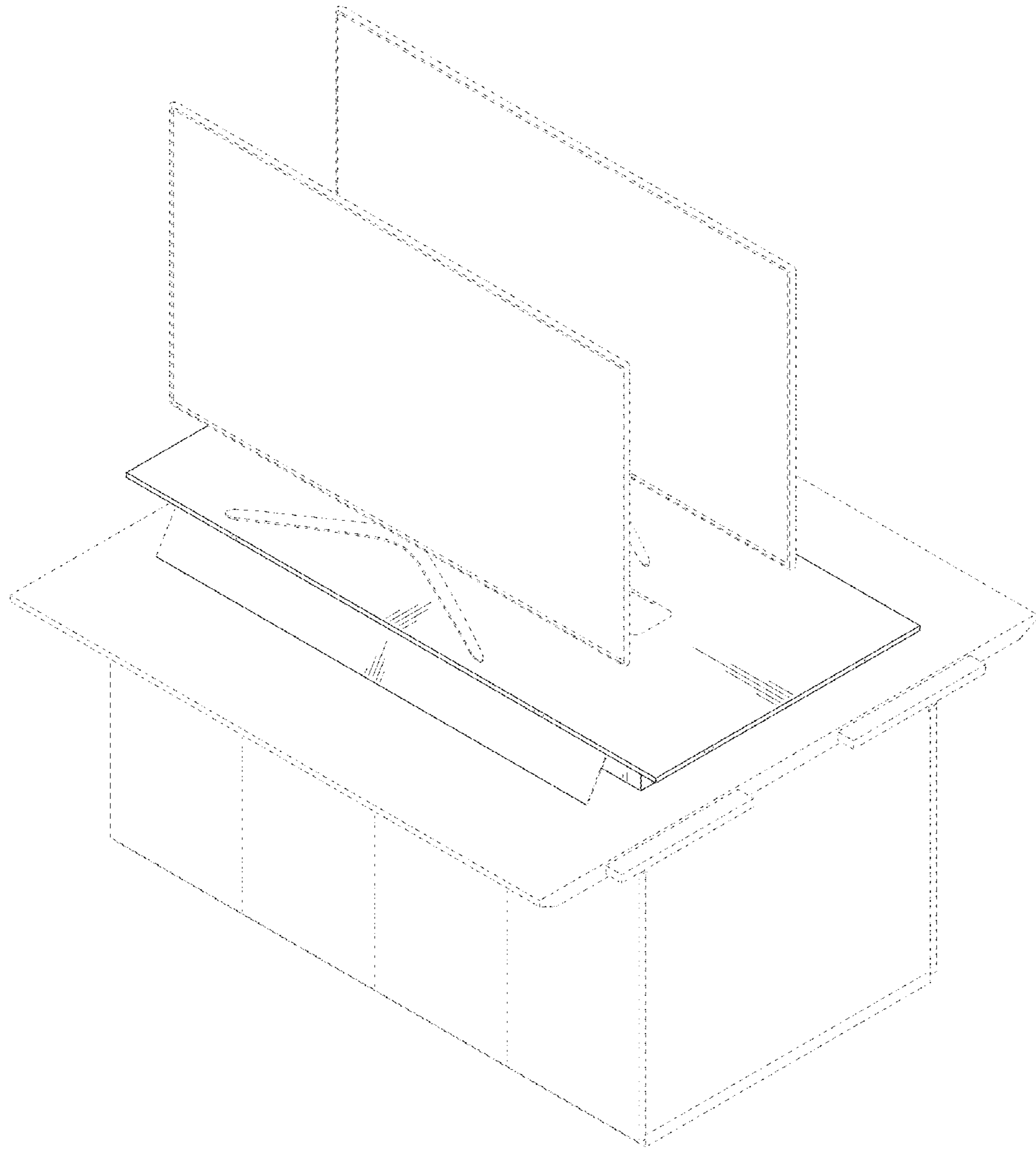


FIG. 9

