



US00D758772S

(12) **United States Design Patent**
Coretti, Jr. et al.

(10) **Patent No.:** **US D758,772 S**
(45) **Date of Patent:** **** Jun. 14, 2016**

- (54) **PRODUCT DISPLAY SHELF**
- (71) Applicant: **B-O-F CORPORATION**, Aurora, IL (US)
- (72) Inventors: **Joseph Coretti, Jr.**, Wheaton, IL (US);
James Knorrning, Barrington Hills, IL (US)
- (73) Assignee: **B-O-F CORPORATION**, Aurora, IL (US)
- (**) Term: **15 Years**
- (21) Appl. No.: **29/505,304**
- (22) Filed: **Jun. 1, 2015**

D362,756 S *	10/1995	Finger	D6/317
D375,860 S	11/1996	Coretti, Jr. et al.	
5,607,068 A	3/1997	Coretti, Jr. et al.	
5,676,263 A	10/1997	Chang	
5,836,461 A *	11/1998	Kokenge	A47F 5/01 108/181
6,079,575 A	6/2000	Wang	
D427,487 S *	7/2000	Holbrook	D7/409
D432,820 S	10/2000	Walters-Dowding et al.	
6,241,108 B1	6/2001	Nakatani et al.	
D485,092 S	1/2004	Rosen	
D499,922 S *	12/2004	Thomas	D6/566
D509,405 S *	9/2005	Shin	D7/409
D546,585 S	7/2007	Tsai	
D551,884 S *	10/2007	Remmers	D6/705.6
D573,369 S	7/2008	Sparkowski	
D580,193 S	11/2008	Sparkowski	
D588,839 S *	3/2009	Klein	D6/705.6

(Continued)

Related U.S. Application Data

- (62) Division of application No. 29/447,533, filed on Mar. 4, 2013.
- (51) **LOC (10) Cl.** **06-06**
- (52) **U.S. Cl.**
USPC **D6/705.6**
- (58) **Field of Classification Search**
USPC D6/552, 572-574, 675, 675.2, 705,
D6/705.1, 705.2, 705.6, 705.7, 706;
108/59, 92-93, 96, 107-108;
312/194-196, 223.3
CPC A47F 5/0018; A47F 5/0031
See application file for complete search history.

References Cited

U.S. PATENT DOCUMENTS

3,252,434 A	5/1966	Young, Jr.	
D215,773 S *	10/1969	Maslow	D6/675.5
D275,434 S *	9/1984	Taub	D6/705.6
D289,479 S *	4/1987	Brancher	D6/566
D292,658 S *	11/1987	Kester	D6/675.2
D326,579 S *	6/1992	Leeds	D6/566

OTHER PUBLICATIONS

CannonCarts® 83-0241-000 Two-Shelf, Three Sided Cart product information sheet (admitted to be publicly available more than one year before Mar. 4, 2013).

(Continued)

Primary Examiner — Kelley Donnelly

(74) *Attorney, Agent, or Firm* — Marshall, Gerstein & Borun LLP

(57) **CLAIM**

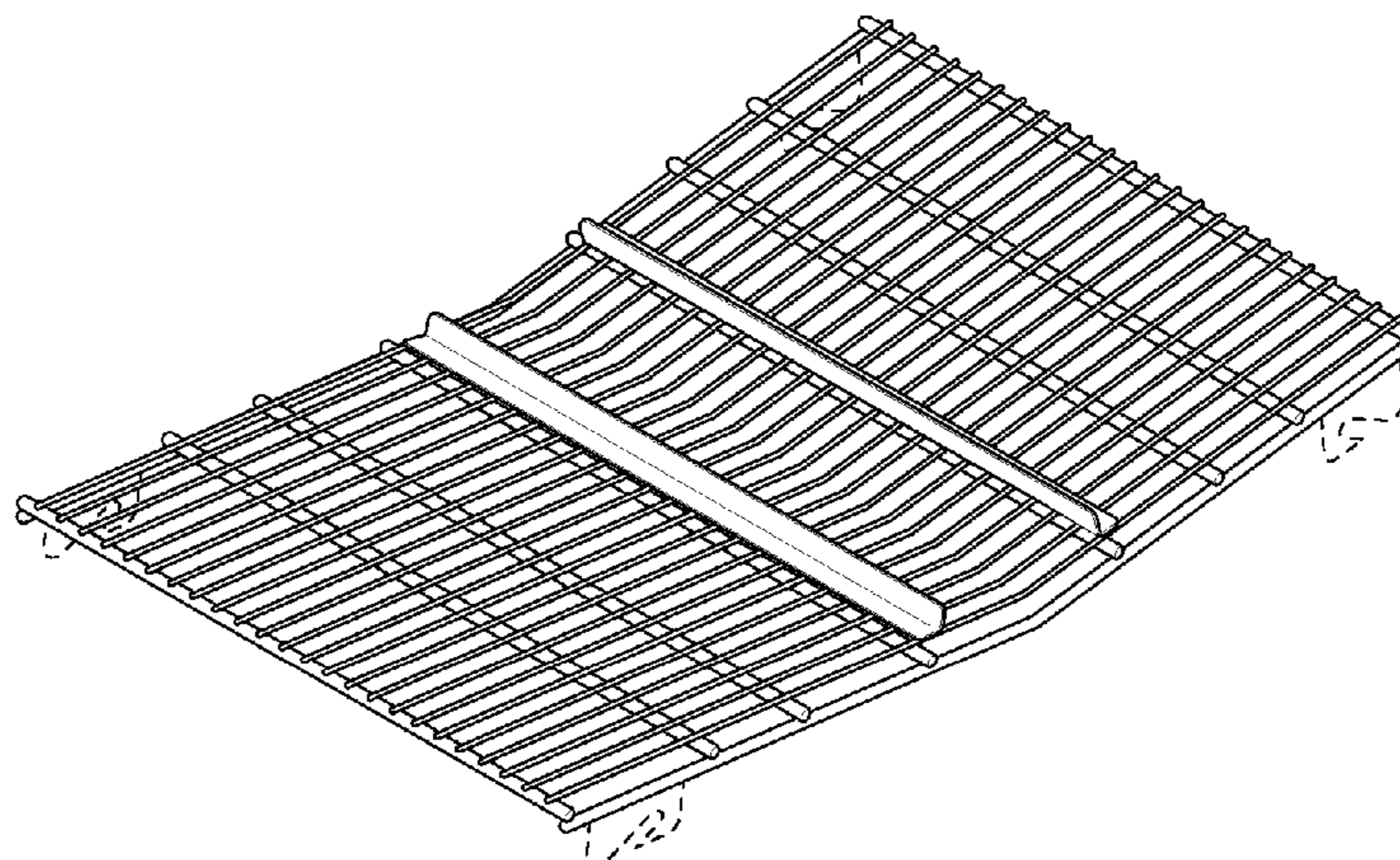
The ornamental design for a product display shelf, as shown and described.

DESCRIPTION

FIG. 1 is a front perspective view of our new design for a product display shelf; and, FIG. 2 is a front view of the product display shelf shown in FIG. 1.

The broken lines in the figures form no part of the claimed design.

1 Claim, 1 Drawing Sheet



(56)

References Cited

U.S. PATENT DOCUMENTS

D592,897 S * 5/2009 Welsch D6/705.6
 D597,354 S * 8/2009 Liss D6/705.6
 D602,720 S * 10/2009 Mikich D6/705.6
 D620,729 S * 8/2010 Snider D6/675.2
 D627,180 S * 11/2010 McCombs D6/705.6
 D637,427 S 5/2011 Troyner et al.
 D650,226 S * 12/2011 Walker D7/354
 D650,227 S * 12/2011 Walker D7/354
 D654,292 S * 2/2012 Snider D6/705.6
 D657,591 S 4/2012 Sanchez
 D664,794 S * 8/2012 Leveto D6/706
 D673,390 S 1/2013 Sparkowski et al.
 D683,983 S 6/2013 Troyner et al.
 D698,589 S * 2/2014 Troyner D6/705.6
 D701,405 S 3/2014 Pace et al.

D708,873 S 7/2014 Wehner et al.
 D710,633 S * 8/2014 Mudrick D6/675.5
 D713,188 S * 9/2014 Gokhale D6/705.6
 D733,431 S * 7/2015 Kokenge D3/304
 D742,150 S * 11/2015 Fitzgerald D6/705.6
 2002/0170870 A1 * 11/2002 Callis A47B 96/02
 211/119.003
 2003/0146177 A1 * 8/2003 Miller, Jr. A47F 5/0031
 211/59.2

OTHER PUBLICATIONS

CannonCarts® 84-0446-100C-DF Dairy 80 Gal, Five Shelf, Two Sided Cart F-26 product information sheet (admitted to be publicly available more than one year before Mar. 4, 2013).
 Photos of Two-Sided Dairy Cart (admitted to be publicly available more than one year before Mar. 4, 2013).

* cited by examiner

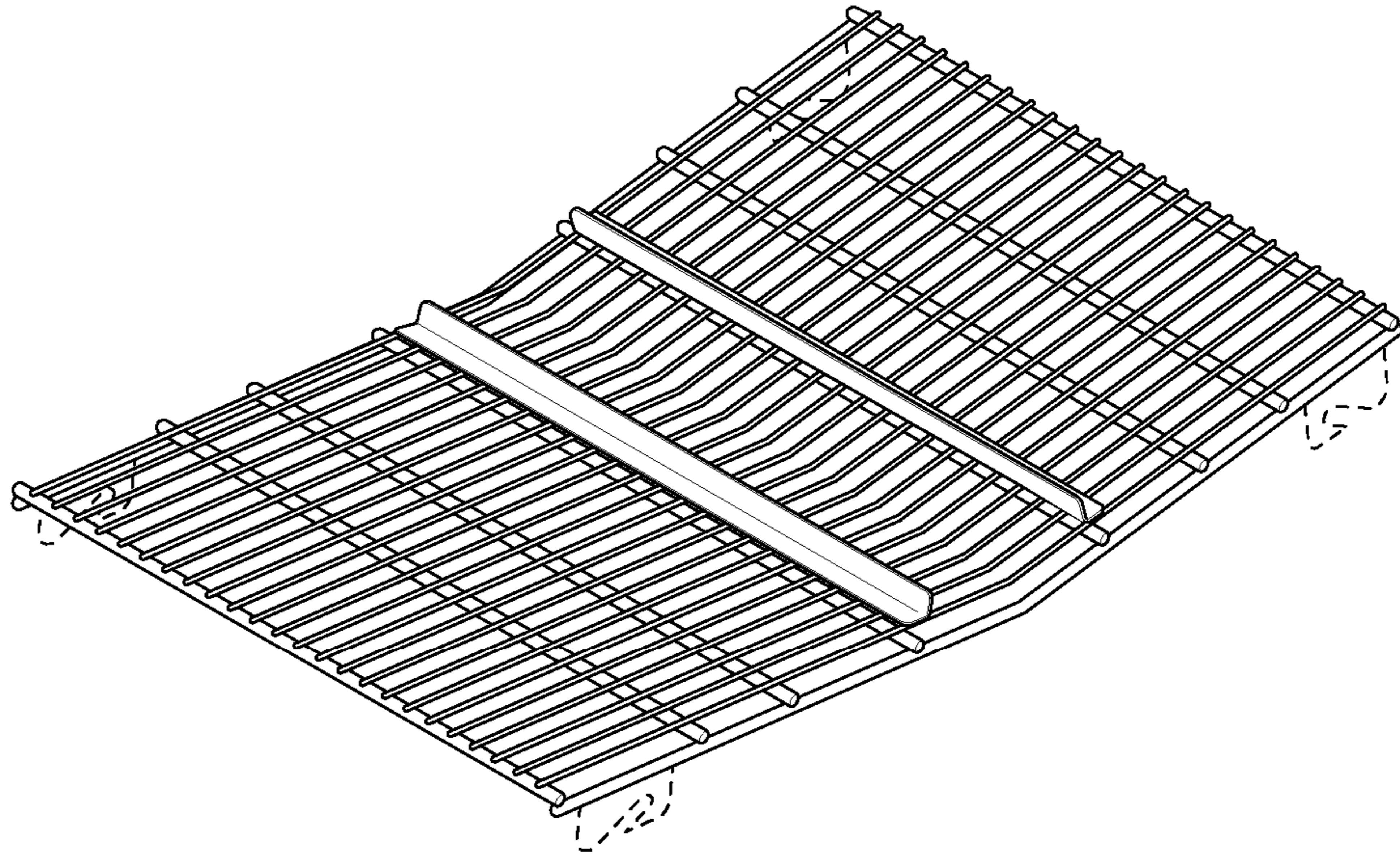


FIG. 1

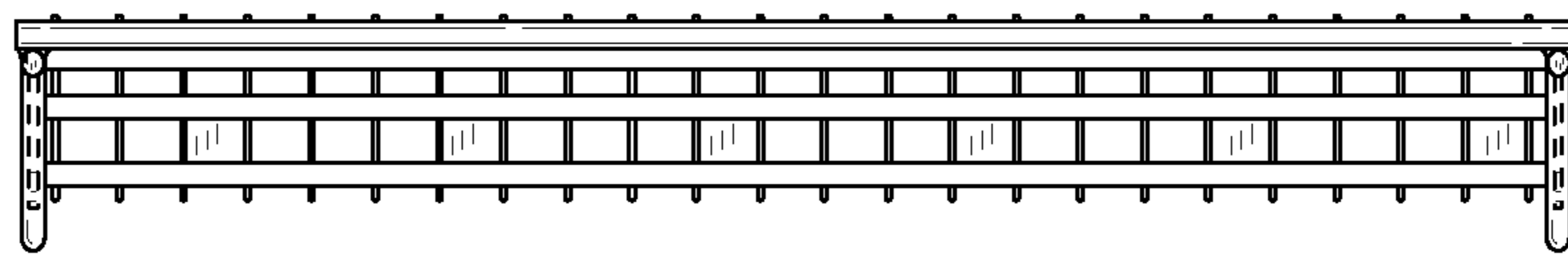


FIG. 2