



US00D758770S

(12) **United States Design Patent**
Plikat et al.

(10) **Patent No.:** **US D758,770 S**
(45) **Date of Patent:** **** Jun. 14, 2016**

(54) **PARTITION**

- (71) Applicant: **Herman Miller, Inc.**, Zeeland, MI (US)
- (72) Inventors: **Claudia Plikat**, Berlin (DE); **Johann Burkhard Schmitz**, Berlin (DE); **Carola Eva Marianne Zwick**, Berlin (DE); **Roland Rolf Otto Zwick**, Berlin (DE)
- (73) Assignee: **Herman Miller, Inc.**, Zeeland, MI (US)
- (**) Term: **15 Years**
- (21) Appl. No.: **29/535,894**
- (22) Filed: **Aug. 11, 2015**

Related U.S. Application Data

- (62) Division of application No. 29/514,626, filed on Jan. 14, 2015, now Pat. No. Des. 746,621, which is a division of application No. 29/480,152, filed on Jan. 23, 2014, now Pat. No. Des. 722,797, which is a division of application No. 29/453,127, filed on Apr. 25, 2013, now Pat. No. Des. 699,989, which is a division of application No. 29/426,751, filed on Jul. 10, 2012, now Pat. No. Des. 683,159, which is a division of application No. 29/379,704, filed on Nov. 23, 2010, now Pat. No. Des. 665,196.

- (51) **LOC (10) Cl.** **06-04**
- (52) **U.S. Cl.**
USPC **D6/682.4**
- (58) **Field of Classification Search**
USPC D6/468, 680, 682.4, 675.3, 662.1, 338, D6/674, 646, 661.2, 680.2, 332, 664, 702, D6/310, 678.2, 407, 644, 571, 683.1, D6/719.2, 512; D25/138; D19/75, 78, 85, D19/90-91
CPC A47F 10/02; A47F 7/281; A47F 5/0018; A47B 21/06

See application file for complete search history.

(56) **References Cited**

U.S. PATENT DOCUMENTS

D53,058	S	*	3/1919	Weinberg	D6/680
1,647,889	A	*	11/1927	Saunders	A47F 10/02 312/107
1,694,520	A	*	12/1928	Sturdavant	A47F 7/281 211/134
D82,098	S	*	9/1930	Marsh	D6/682.4
D86,761	S	*	4/1932	Brooks	D6/675.3
D98,297	S	*	1/1936	Earley	D6/662.1
2,129,396	A	*	9/1938	Archer	A47F 5/0018 108/27
D115,351	S	*	6/1939	Rask	D6/680
D140,244	S	*	2/1945	Wemyss	D6/682
D144,591	S	*	4/1946	Schutes	D6/338
D157,082	S	*	1/1950	Patton	D6/674
D161,333	S	*	12/1950	Gooken	D6/680
D180,106	S	*	4/1957	Seifert	D19/85
2,889,055	A	*	6/1959	Weller	A47B 57/58 108/61
D189,171	S	*	11/1960	Ensign	D6/680
D189,245	S	*	11/1960	Hunting	D6/646
3,171,543	A	*	3/1965	Nelson	A47F 7/163 211/169
D211,546	S	*	6/1968	Reibold	D6/680
D211,548	S	*	6/1968	Hayes	D6/661.2

(Continued)

Primary Examiner — Robert Delehanty

(74) *Attorney, Agent, or Firm* — Michael Best & Friedrich LLP

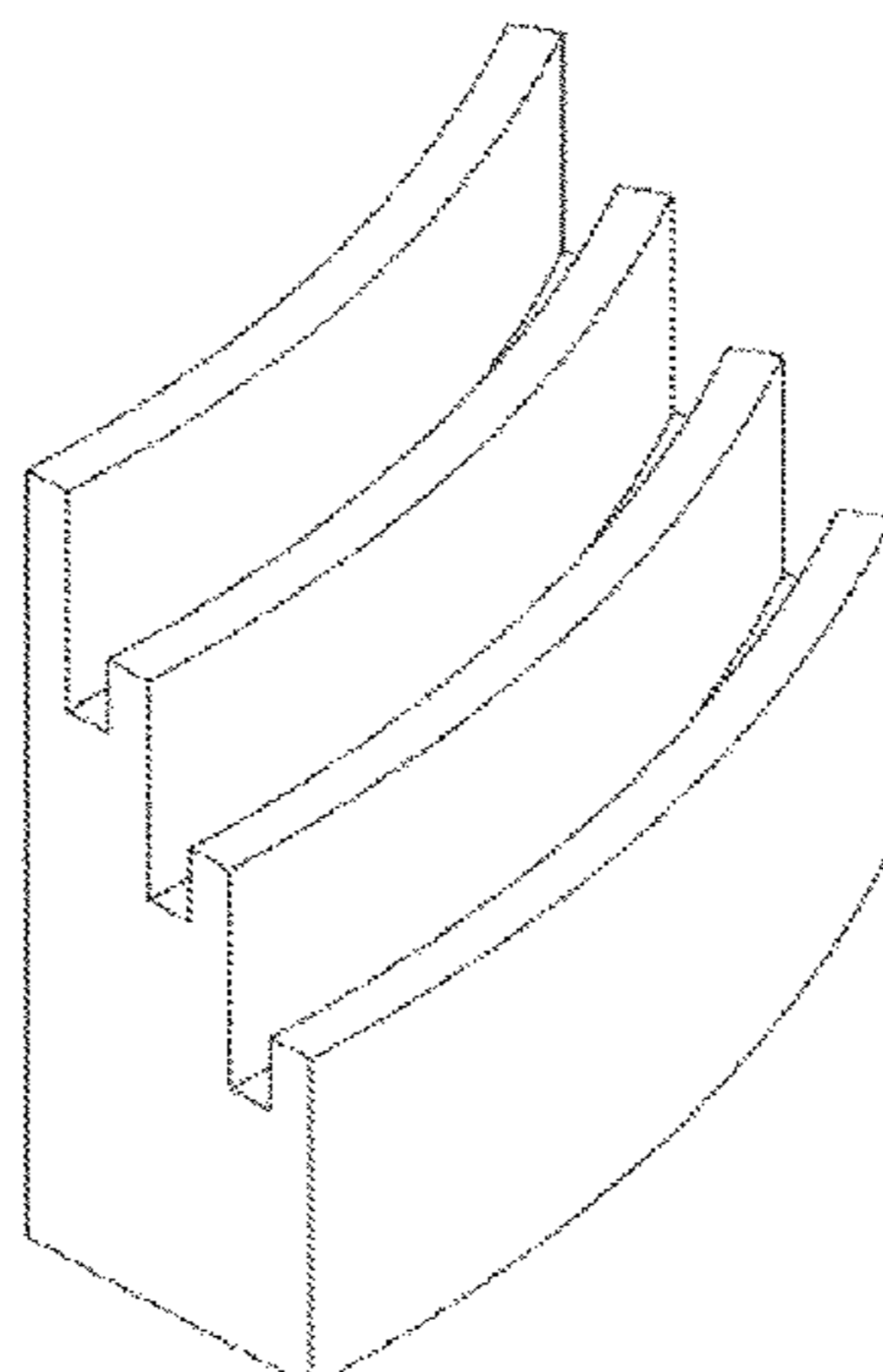
(57) **CLAIM**

The ornamental design for a partition, as shown and described.

DESCRIPTION

FIG. 1 is a perspective view of a partition;
 FIG. 2 is a front view of the partition;
 FIG. 3 is a rear view of the partition;
 FIG. 4 is a left side view of the partition;
 FIG. 5 is a right side view of the partition;
 FIG. 6 is a top view of the partition;
 FIG. 7 is a bottom view of the partition; and,
 FIG. 8 is a second perspective view of the partition.

1 Claim, 2 Drawing Sheets



(56)

References Cited

U.S. PATENT DOCUMENTS

D212,267 S *	9/1968	Dreyfuss	D6/680	5,915,571 A *	6/1999	Czalkiewicz	A47F 7/145 211/128.1
3,519,320 A *	7/1970	Freedman	A47F 3/063 211/55	5,938,048 A *	8/1999	Carroll	A47F 7/145 211/55
3,811,728 A *	5/1974	Redemske	A47B 83/00 297/440.14	D415,580 S *	10/1999	Keating	D25/138
D232,142 S *	7/1974	Spydevold	D6/680.2	5,983,574 A *	11/1999	Holztrager	A47F 5/0846 52/36.5
D233,579 S *	11/1974	Lindbo	D6/680.2	6,052,958 A *	4/2000	Miedema	E04B 2/7437 52/239
3,871,435 A *	3/1975	Lopatka	A47G 5/00 160/135	6,105,796 A *	8/2000	Buchanan	A47F 5/116 186/59
D240,098 S *	6/1976	Jublin	D6/680	6,138,583 A *	10/2000	Mahone	A47B 47/00 108/108
D246,323 S *	11/1977	Kirk	D6/332	D435,181 S *	12/2000	Brozak, Jr.	D6/680
D253,152 S *	10/1979	Berlic	D6/664	D435,865 S *	1/2001	La Greca	D6/678.1
4,203,239 A *	5/1980	Williams	A47G 1/142 211/50	6,427,853 B2 *	8/2002	Brozak, Jr.	A47F 1/12 211/128.1
4,325,597 A *	4/1982	Morrison	A47B 47/04 108/61	6,460,470 B1 *	10/2002	Scharer	A47B 57/54 108/153.1
D265,701 S *	8/1982	Colquhoun	D6/646	D492,964 S *	7/2004	Kuehl	D6/680
D266,210 S *	9/1982	Hannecke	D6/702	D494,776 S *	8/2004	Metz	D6/680.2
D272,834 S *	2/1984	Moore	D19/90	6,851,226 B2 *	2/2005	MacGregor	A47B 83/001 52/220.7
4,460,097 A *	7/1984	Darnell, II	A47F 7/145 108/108	6,929,131 B1 *	8/2005	Landi	A47B 5/0846 211/87.01
4,534,473 A *	8/1985	Post	A47F 5/02 108/106	D520,263 S *	5/2006	Nobles	D6/332
D281,209 S *	11/1985	Burns	D6/310	7,051,482 B2 *	5/2006	MacDonald	E04B 2/7425 52/239
4,579,399 A *	4/1986	Poltash	A47F 7/024 D6/661	D526,819 S *	8/2006	Lee	D6/683.1
D299,990 S *	2/1989	Everett	D6/680.2	D527,207 S *	8/2006	Lee	D6/683.1
D300,489 S *	4/1989	Antonellis	D6/678.2	7,213,885 B2 *	5/2007	White, III	A47C 13/005 248/188
D301,189 S *	5/1989	Wallace	D6/407	D551,002 S *	9/2007	Snell	D6/683.1
4,876,835 A *	10/1989	Kelley	A47B 21/06 211/190	D559,564 S *	1/2008	Bakker	D6/332
4,925,038 A *	5/1990	Gajewski	A47F 5/0018 211/128.1	7,347,493 B2 *	3/2008	Mulmed	A47B 87/007 297/233
5,016,405 A *	5/1991	Lee	A47B 83/001 D6/644	D571,577 S *	6/2008	Van Es	D6/678.2
D319,361 S *	8/1991	Moser	D6/682.4	D572,042 S *	7/2008	Suzuki	D6/675
D327,385 S *	6/1992	Allen	D6/678.2	D572,043 S *	7/2008	Suzuki	D6/682
D334,306 S *	3/1993	Breen	D19/90	D575,556 S *	8/2008	Rohkar, Jr.	D6/682
5,287,666 A *	2/1994	Frascaroli	A47B 83/001 52/239	D590,635 S *	4/2009	Beckerman	D6/683.1
5,392,575 A *	2/1995	Hoffman	E04B 1/003 D25/138	D591,987 S *	5/2009	Thompson	D6/719.2
D358,067 S *	5/1995	Graves	D6/571	7,540,115 B2 *	6/2009	Metcalf	A47B 46/005 52/243
5,423,597 A *	6/1995	Rogers	A47B 39/00 5/6	D605,425 S *	12/2009	Kelly	D6/678
D368,388 S *	4/1996	Schainholz	D6/644	D605,876 S *	12/2009	Linder	D6/683.1
5,553,934 A *	9/1996	Wells	A47F 3/001 211/59.2	D611,270 S *	3/2010	Castillo Higareda	D6/705
5,715,633 A *	2/1998	Raz	A47B 21/06 52/220.7	D613,079 S *	4/2010	Tsuchiyama	D6/332
D395,367 S *	6/1998	DePottay	D6/680	D613,080 S *	4/2010	Tsuchiyama	D6/332
D397,561 S *	9/1998	DePottay	D6/680	D613,966 S *	4/2010	Staw	D6/683.1
5,836,112 A *	11/1998	Lindale	A47B 23/02 52/239	7,720,136 B2 *	5/2010	Friedman	H04L 1/0002 375/220
5,857,742 A *	1/1999	Karl	A47C 1/124 297/188.13	D622,077 S *	8/2010	Nash	D6/512
				7,775,379 B2 *	8/2010	Hodge	A47F 5/0846 100/108
				D624,334 S *	9/2010	Linder	D6/683.1
				D625,528 S *	10/2010	Sprague	D6/681
				D629,228 S *	12/2010	Allman	D6/680
				D642,814 S *	8/2011	Pensi	D6/332

* cited by examiner

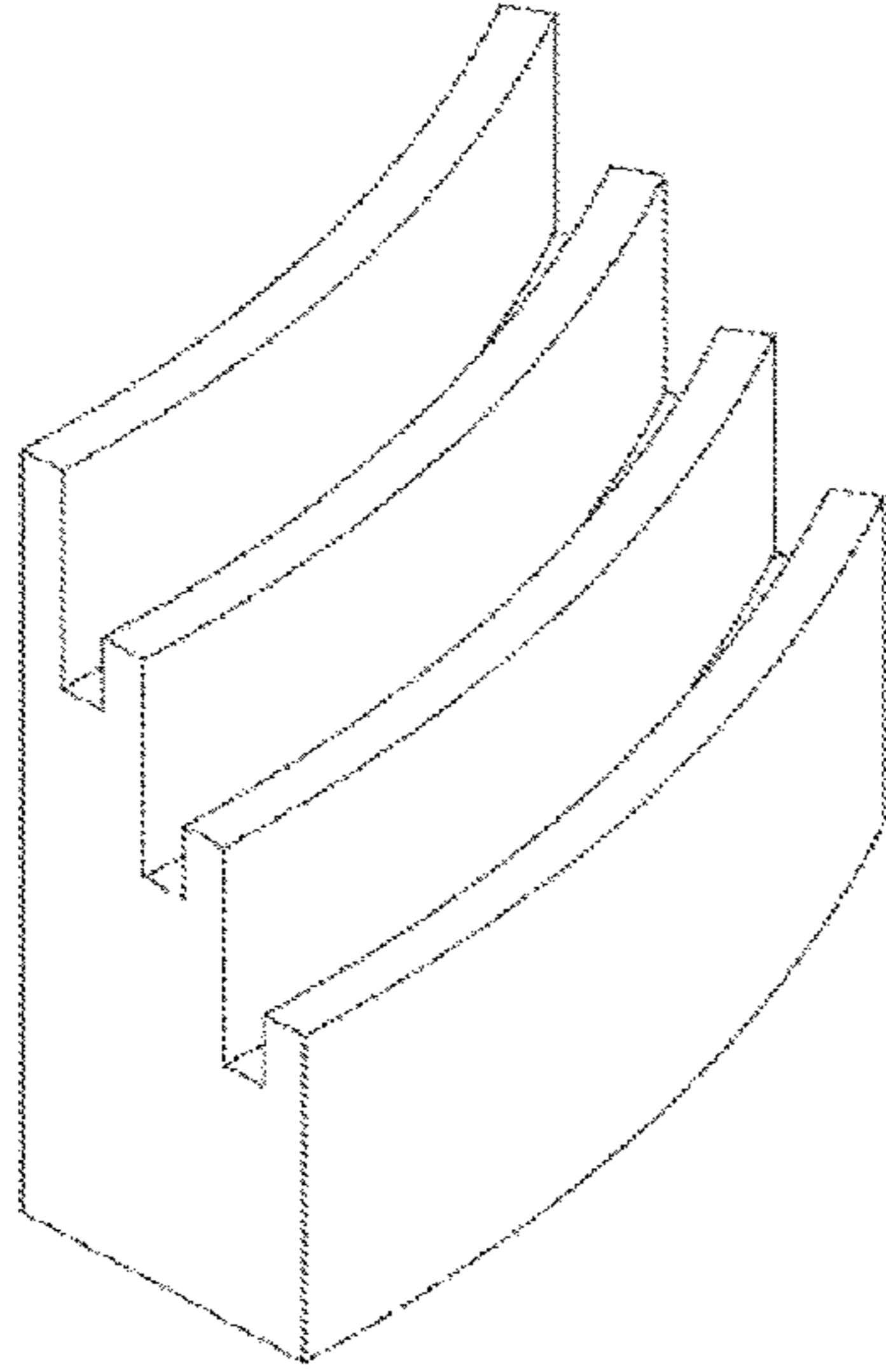


FIG. 1

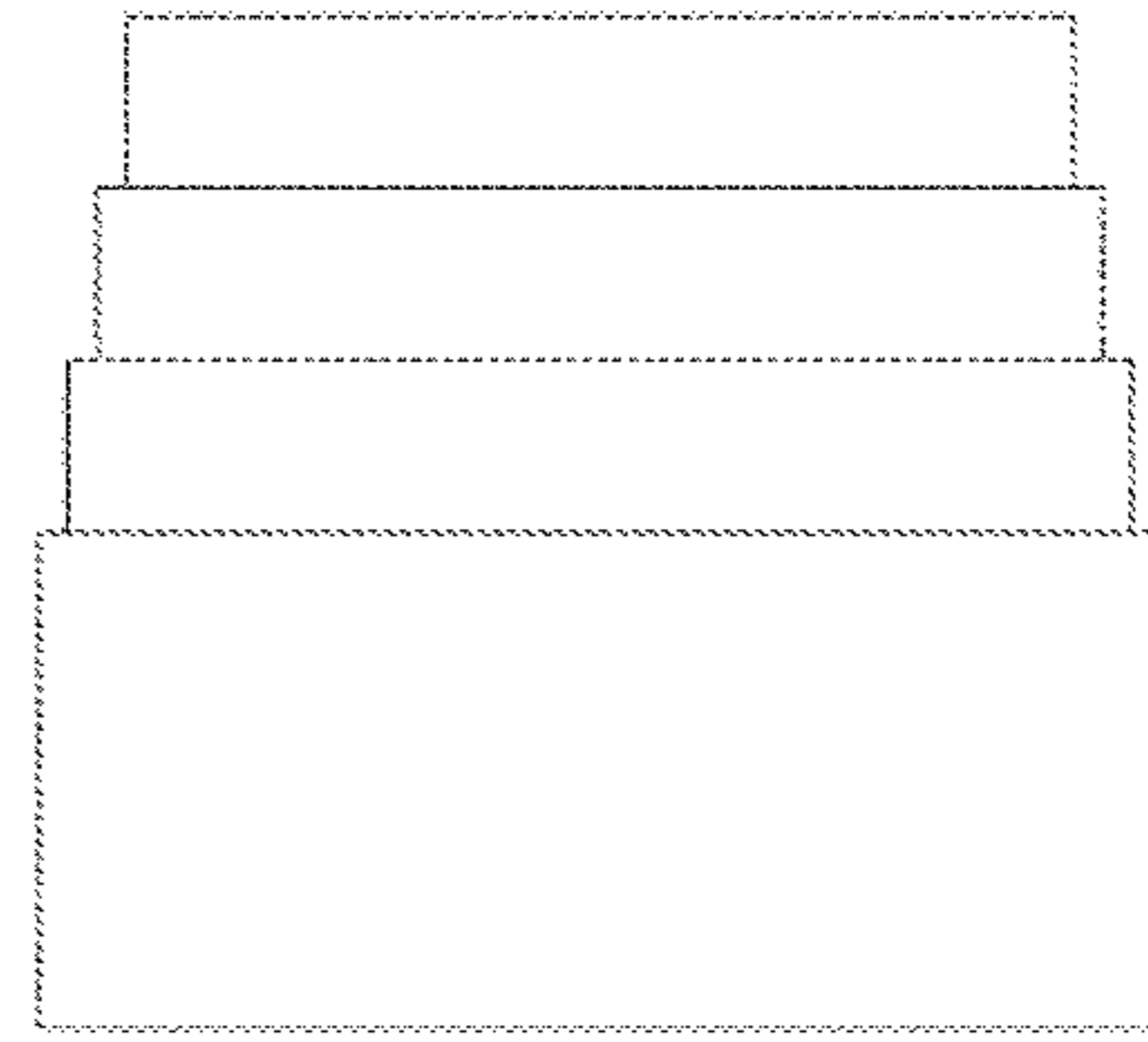


FIG. 2

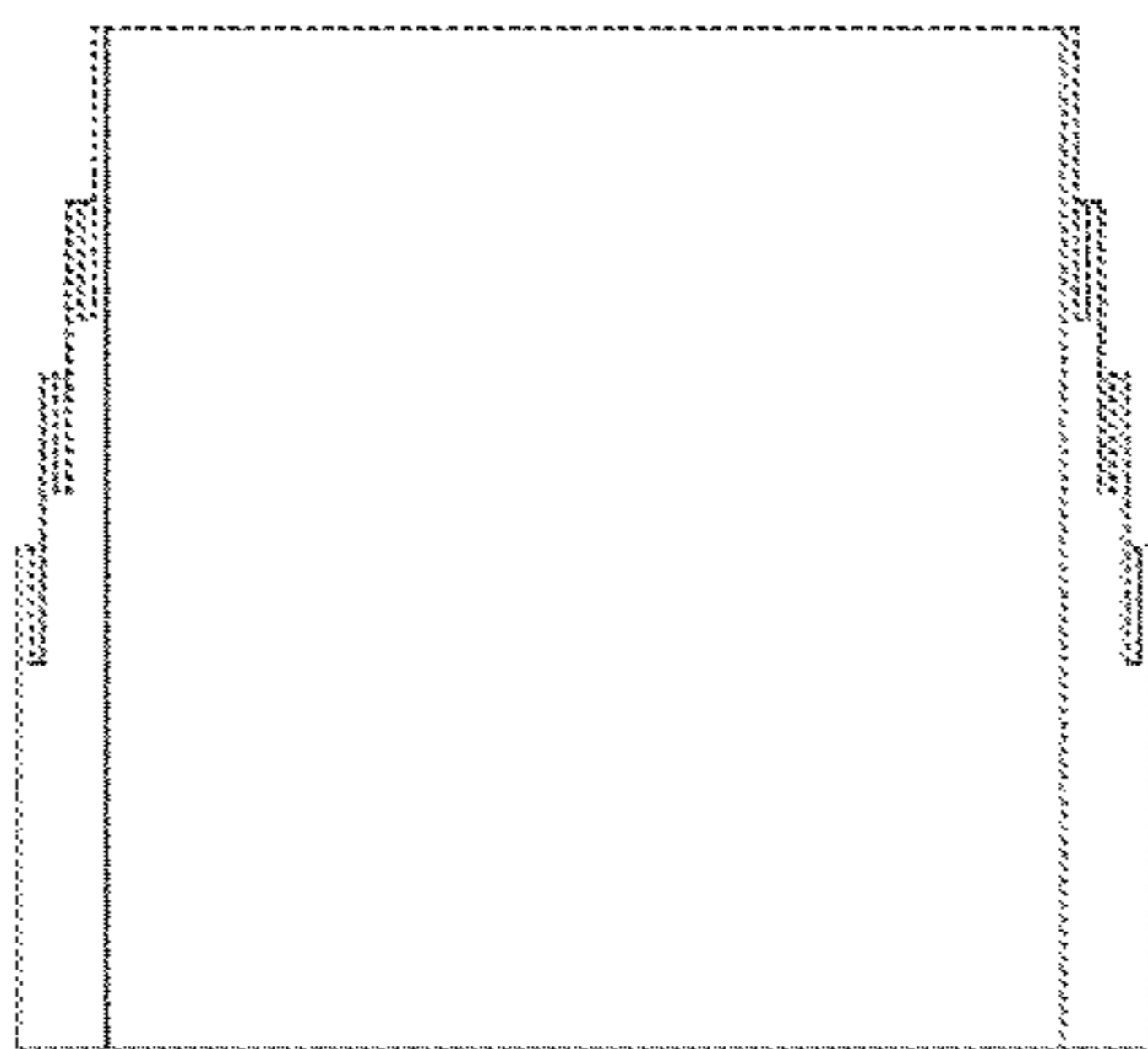


FIG. 3

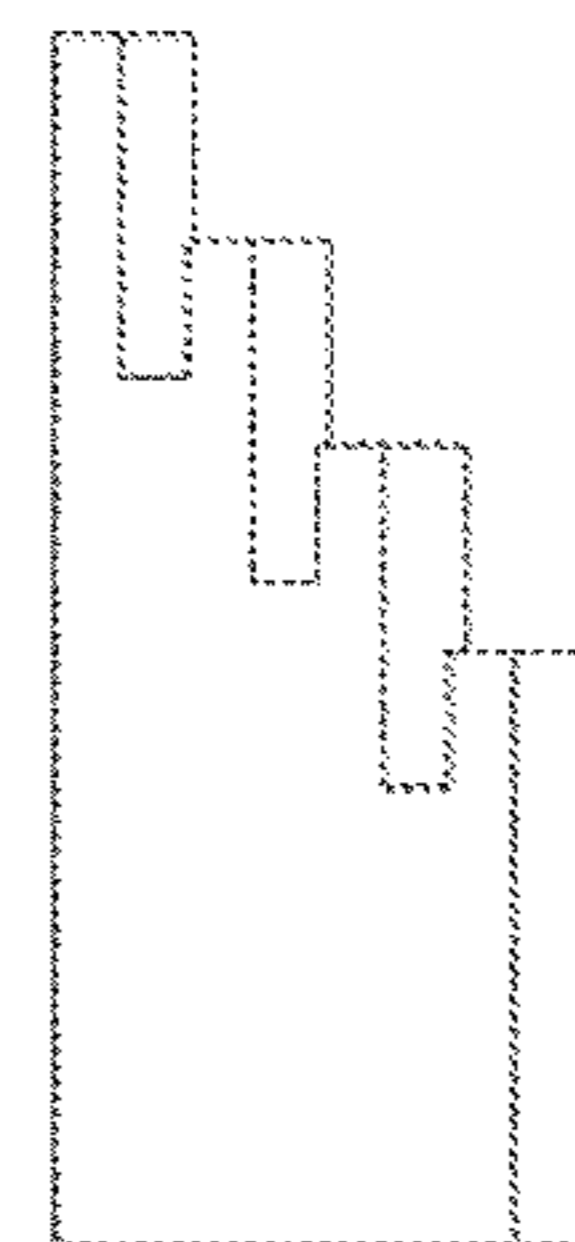


FIG. 4

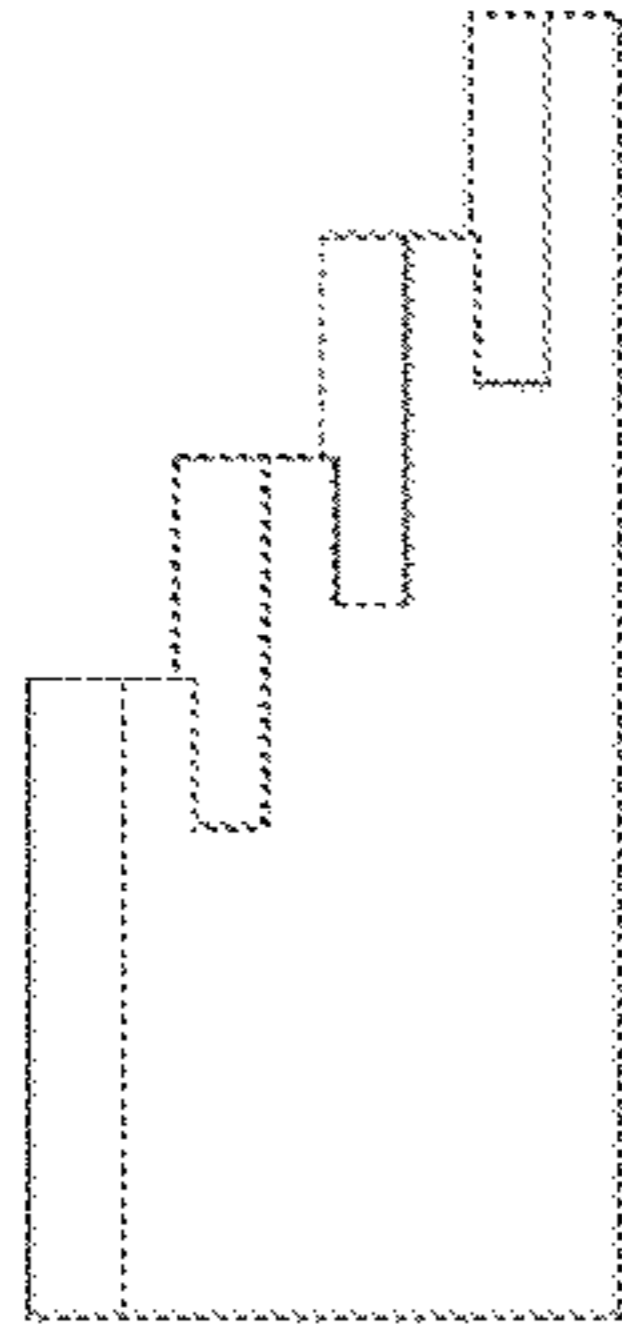


FIG. 5

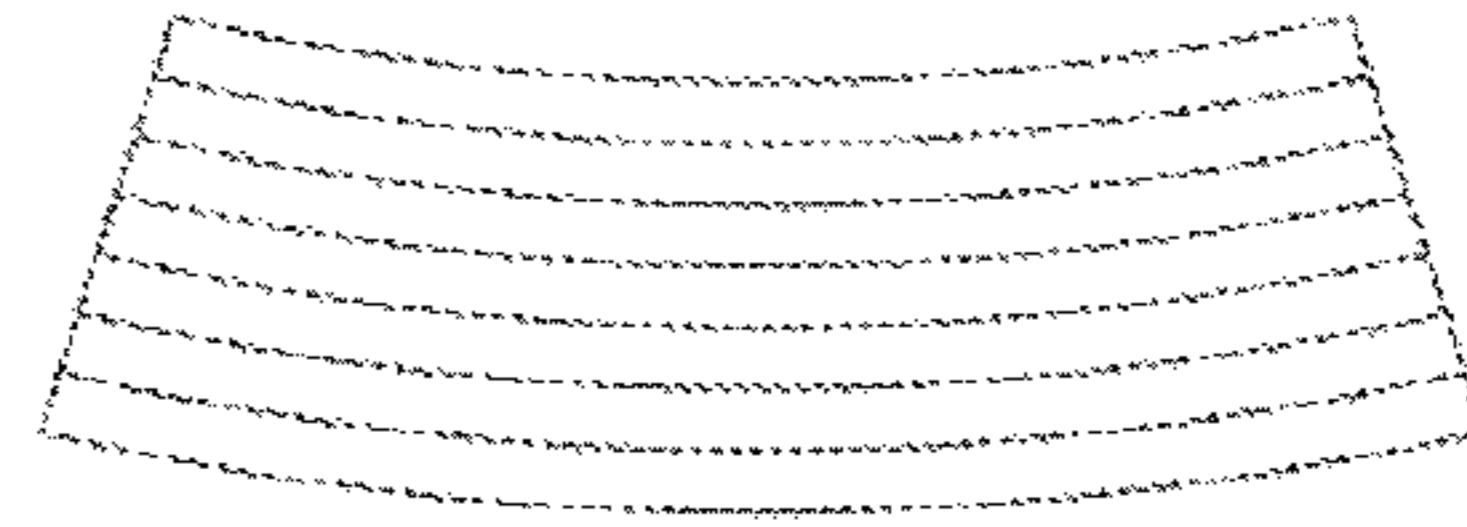


FIG. 6

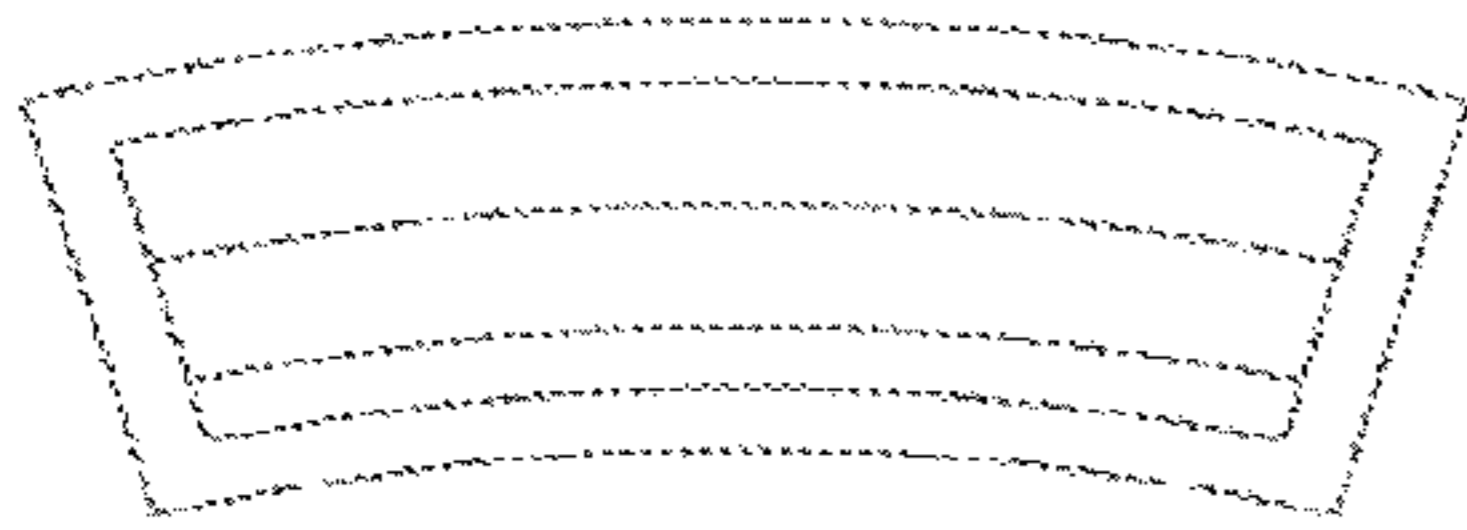


FIG. 7

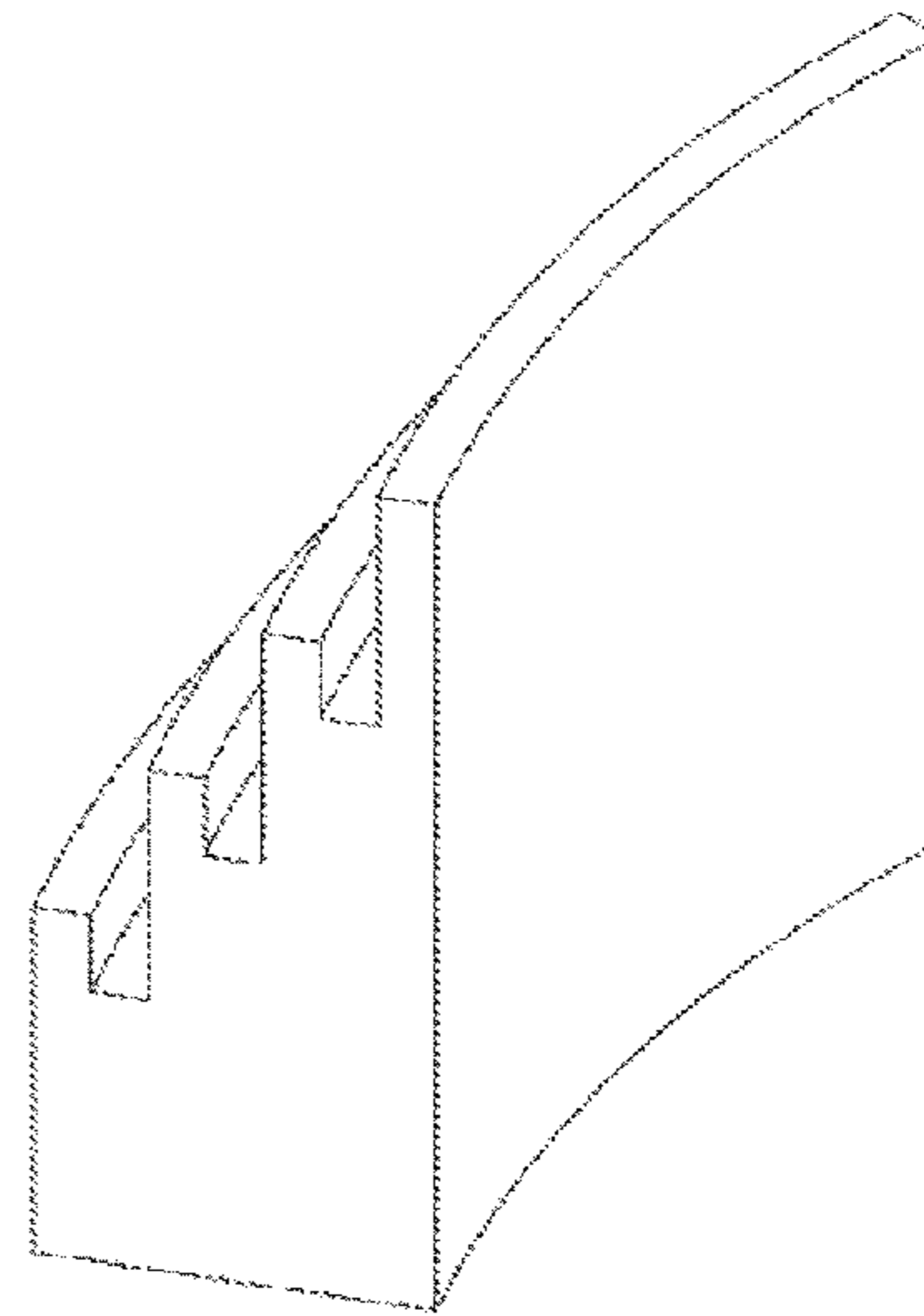


FIG. 8