



US00D758768S

(12) **United States Design Patent**
Ocegueda

(10) **Patent No.:** **US D758,768 S**
(45) **Date of Patent:** **** Jun. 14, 2016**

(54) **DISPLAY RACK**

(71) Applicant: **Rapid Displays, Inc.**, Chicago, IL (US)

(72) Inventor: **Antonio Ocegueda**, Chicago, IL (US)

(73) Assignee: **RAPID DISPLAYS, INC.**, Chicago, IL (US)

(**) Term: **14 Years**

(21) Appl. No.: **29/524,536**

(22) Filed: **Apr. 21, 2015**

(51) **LOC (10) Cl.** **06-06**

(52) **U.S. Cl.**
USPC **D6/678.4**

(58) **Field of Classification Search**
USPC D3/304-306, 308; D6/672, 675, 675.2,
D6/678, 678.4, 680.3, 682, 682.1; D34/12,
D34/14
CPC A47F 5/0018; A47F 5/0031; A47F 1/00
See application file for complete search history.

(56) **References Cited**

U.S. PATENT DOCUMENTS

D369,037 S * 4/1996 Wyatt D6/675.2
6,364,137 B1 * 4/2002 Glauth A47F 5/137
211/126.9

D500,419 S * 1/2005 Sparkowski D6/675.2
D520,265 S * 5/2006 Sparkowski D6/675.2
D538,058 S * 3/2007 Van Es D3/298
D580,193 S * 11/2008 Sparkowski D6/678.4
D626,762 S * 11/2010 Primiano D6/675.4
D712,182 S * 9/2014 Riley D6/675.2
D720,952 S * 1/2015 Breeden, III D6/682.4
D746,088 S * 12/2015 Kidd D6/682.1
2004/0007549 A1 * 1/2004 Klein A47B 55/02
211/118

* cited by examiner

Primary Examiner — Kelley Donnelly

(74) *Attorney, Agent, or Firm* — DLA Piper LLP (US)

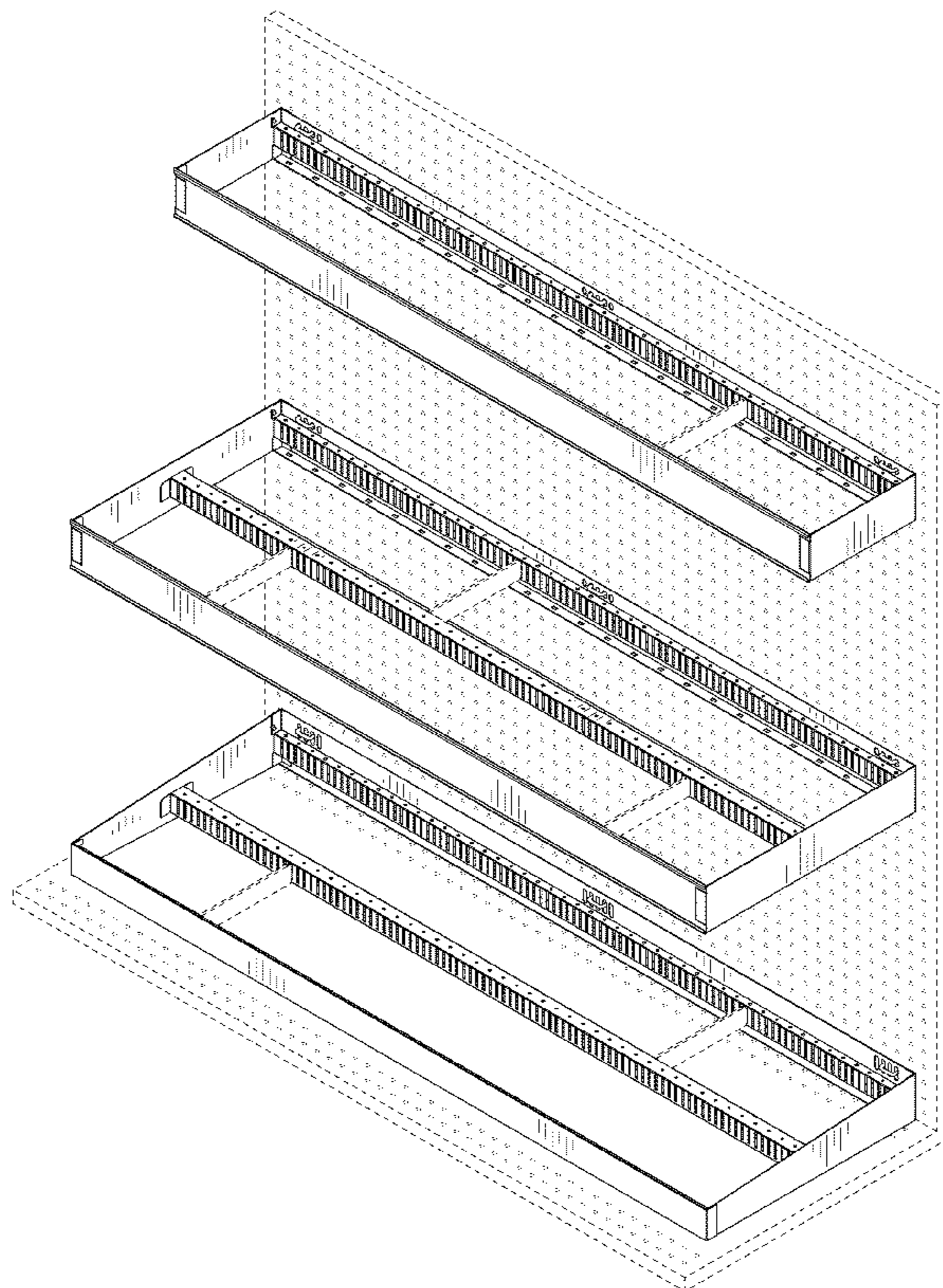
(57) **CLAIM**

The ornamental design for a display rack, as shown and described.

DESCRIPTION

FIG. 1 is a perspective view of the display rack;
FIG. 2 is a front elevational view of the display rack;
FIG. 3 is a rear elevational view of the display rack;
FIG. 4 is a left side elevational view of the display rack, the opposite side of which is a mirror image;
FIG. 5 is a top plan view of the display rack; and,
FIG. 6 is a bottom plan view of the display rack.
The broken lines shown are included for the purpose of illustrating the unclaimed portions of the article and form no part of the claimed design.

1 Claim, 5 Drawing Sheets



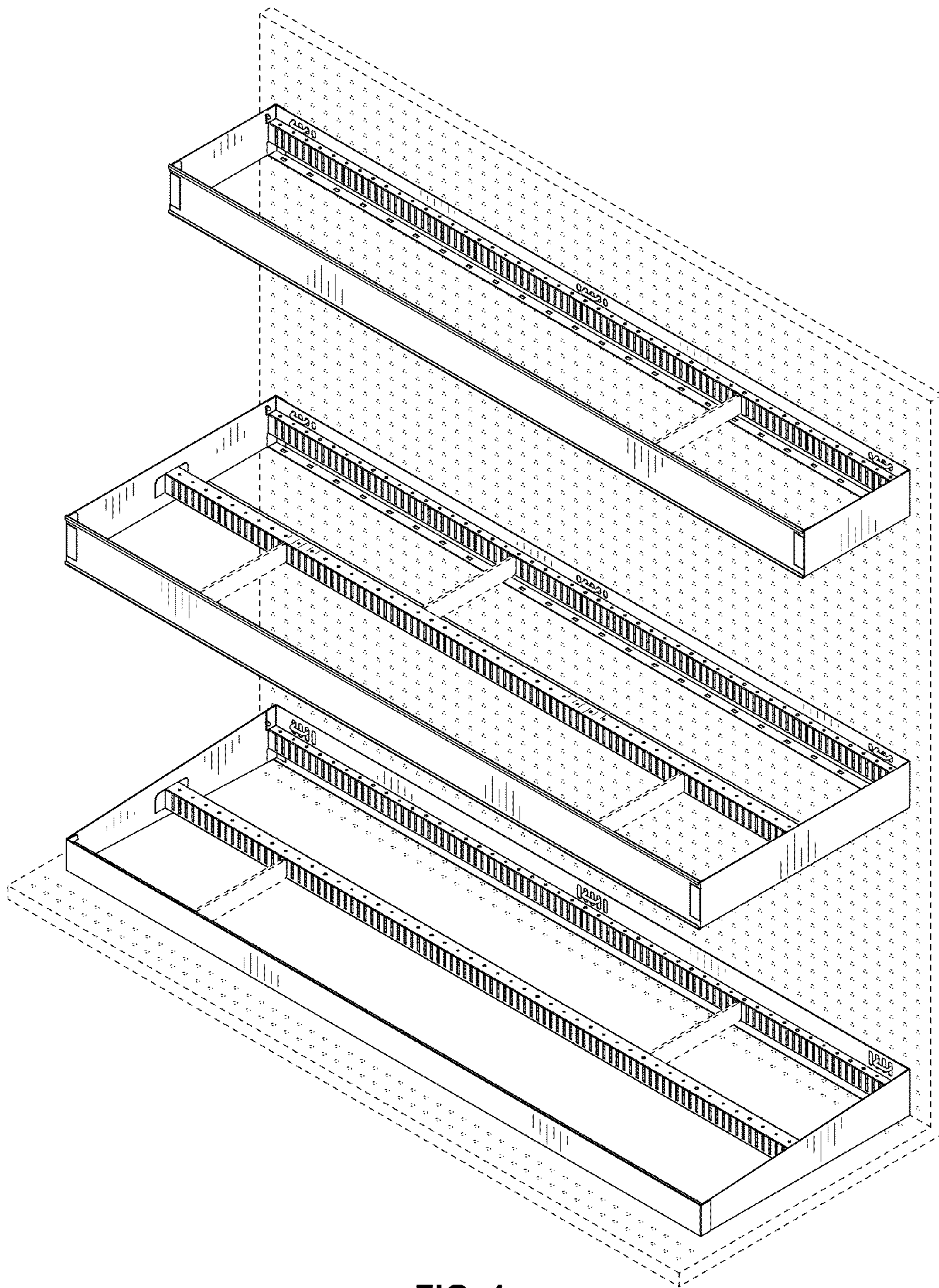


FIG. 1

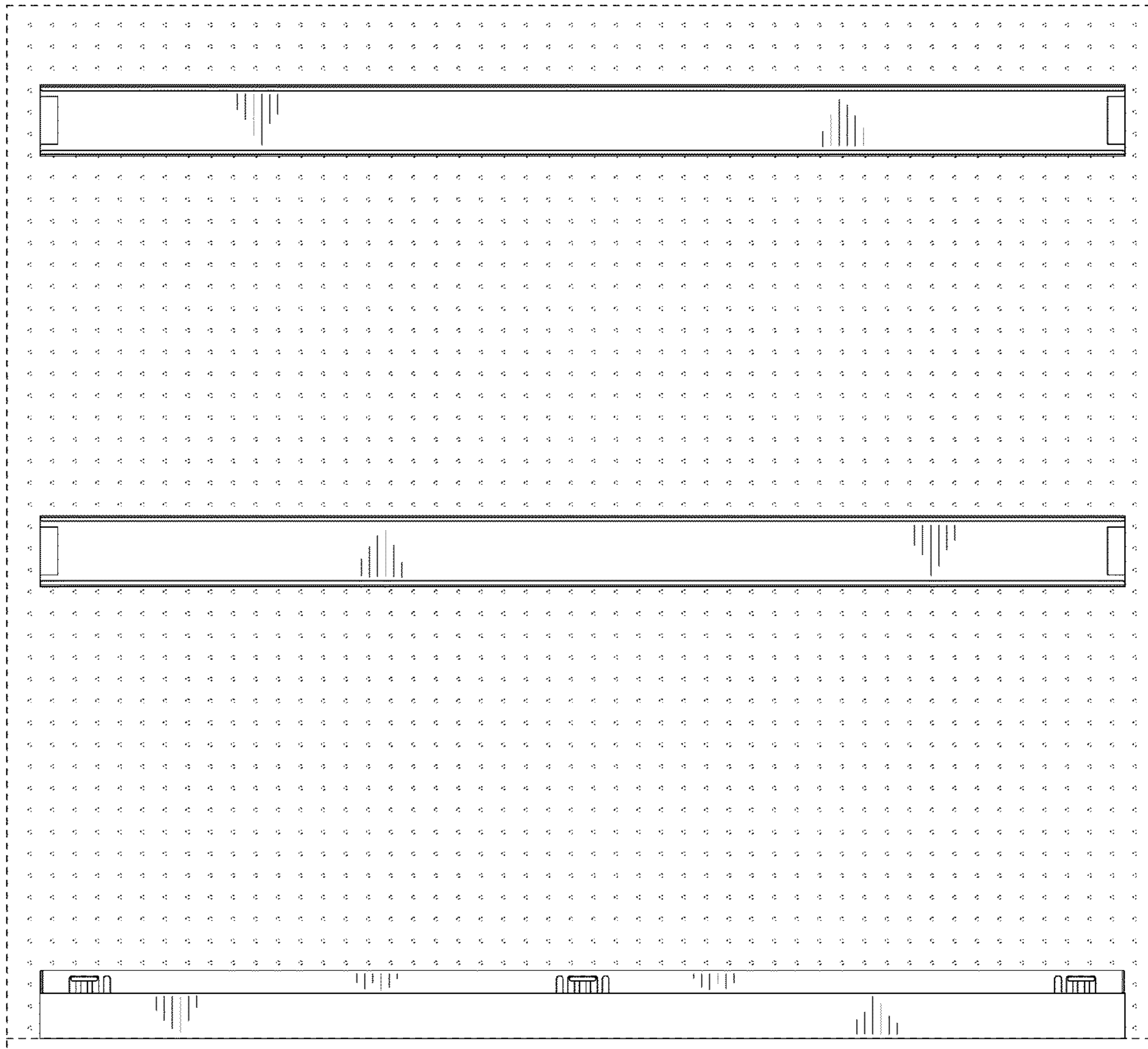


FIG. 2

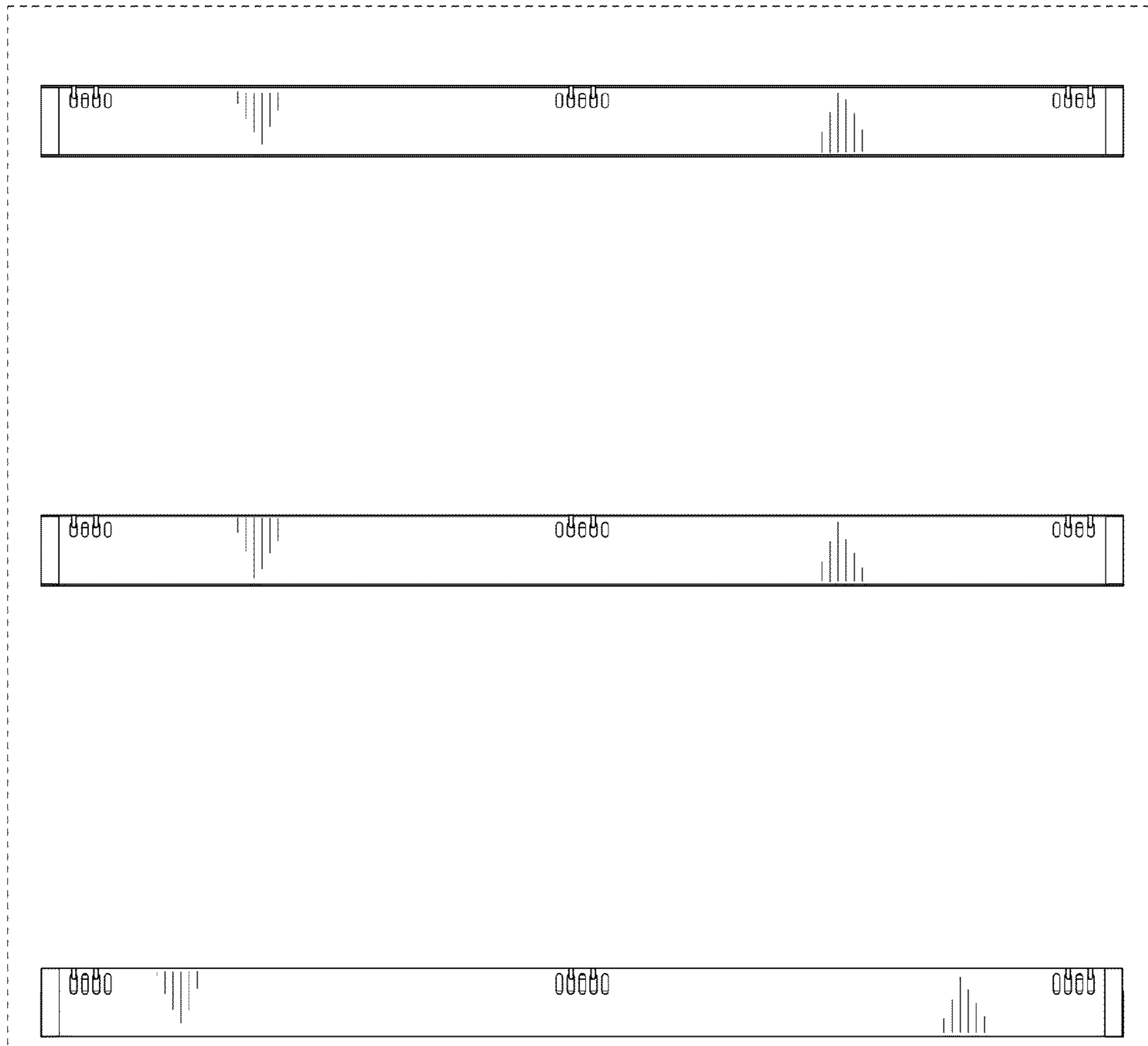


FIG. 3

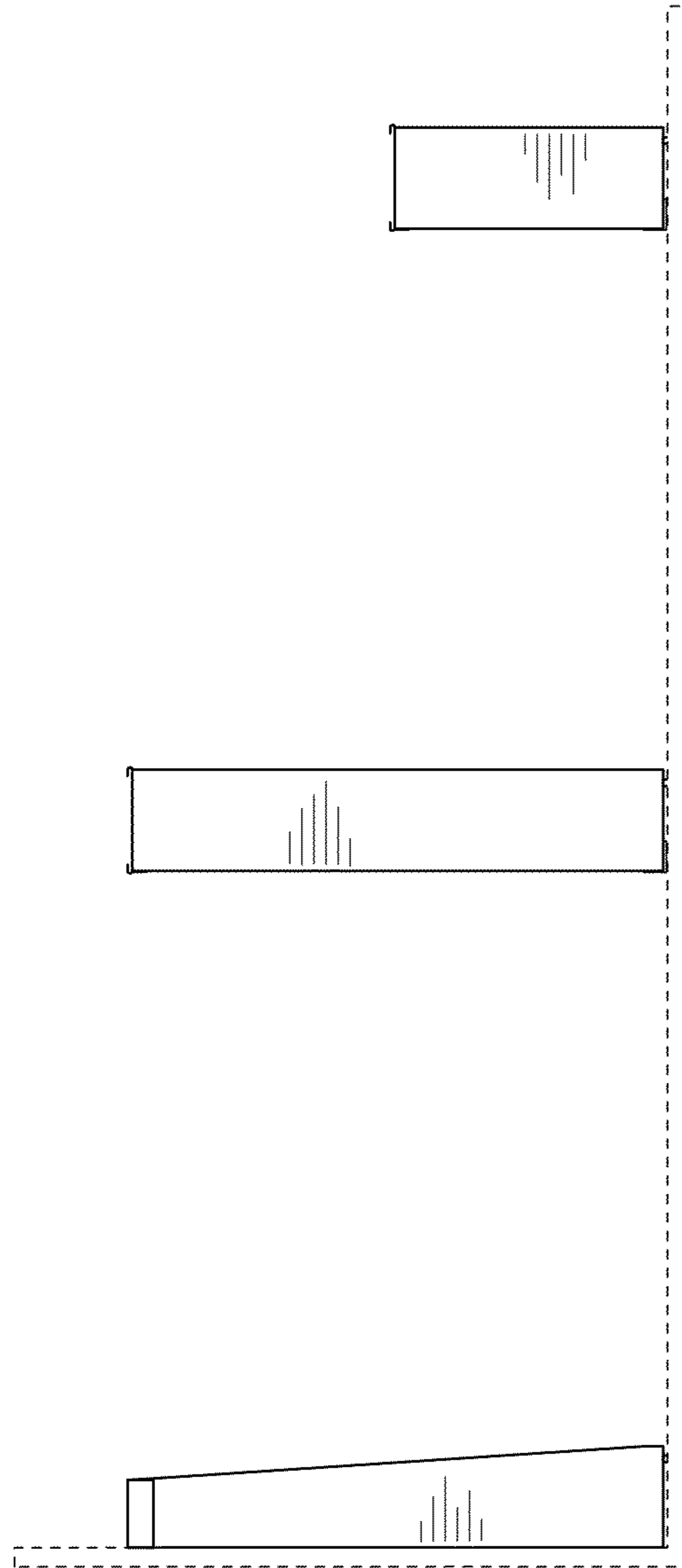


FIG. 4

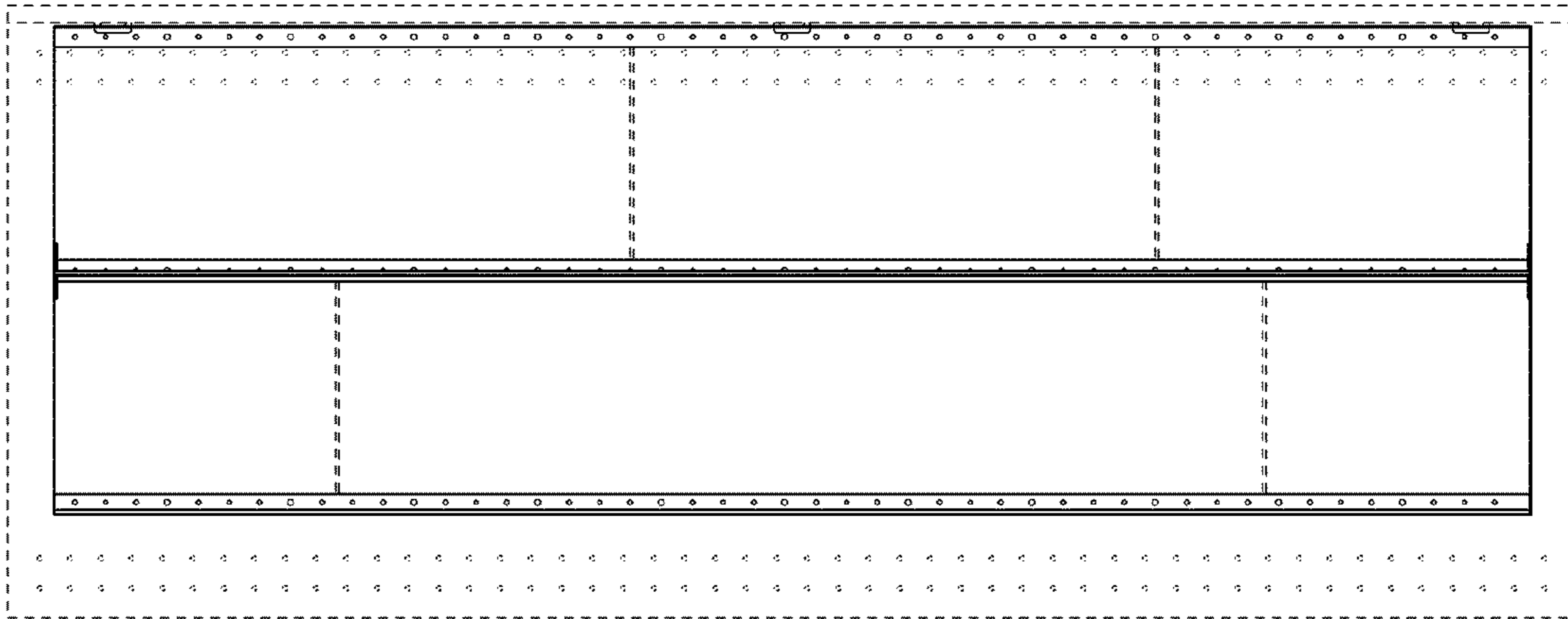


FIG. 5

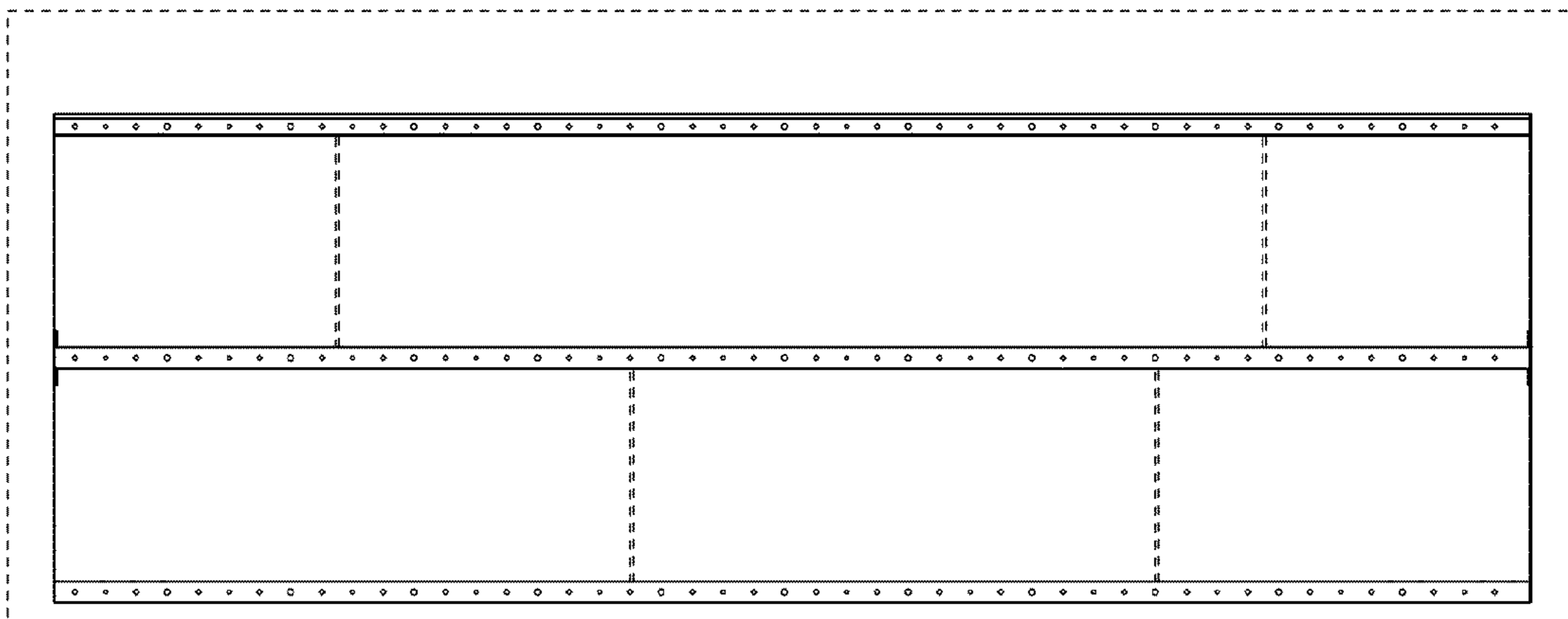


FIG. 6