



US00D758767S

(12) **United States Design Patent**
Andersson

(10) **Patent No.:** **US D758,767 S**
(45) **Date of Patent:** **** Jun. 14, 2016**

(54) **MULTI-LAYER RACKS**

(71) Applicant: **W. K. WU PRODUCTS INC.**, New Taipei (TW)

(72) Inventor: **Hans Rutger Andersson**, Varberg (SE)

(73) Assignee: **W. K. WU PRODUCTS INC.**, New Taipei (TW)

(**) Term: **15 Years**

(21) Appl. No.: **29/529,070**

(22) Filed: **Jun. 3, 2015**

(30) **Foreign Application Priority Data**

Dec. 15, 2014 (EM) 002 597583-0001

(51) **LOC (10) Cl.** **06-06**

(52) **U.S. Cl.**
USPC **D6/675.1**

(58) **Field of Classification Search**
USPC D6/675, 675.1, 675.2
CPC A47B 45/00; A47B 47/021
See application file for complete search history.

(56) **References Cited**

U.S. PATENT DOCUMENTS

D492,138 S * 6/2004 Dardashti D6/705.1
D677,944 S * 3/2013 Lai D6/675.2

(Continued)

Primary Examiner — Kelley Donnelly

(74) *Attorney, Agent, or Firm* — Muncy, Geissler, Olds & Lowe, P.C.

(57) **CLAIM**

The ornamental design for multi-layer racks, as shown and described.

DESCRIPTION

FIG. 1 is a perspective view of a first embodiment of multi-layer racks showing my new design.

FIG. 2 is a front elevation view of the first embodiment of the multi-layer racks.

FIG. 3 is a rear elevation view of the first embodiment of the multi-layer racks.

FIG. 4 is a left side elevation view of the first embodiment of the multi-layer racks.

FIG. 5 is a right side elevation view of the first embodiment of the multi-layer racks.

FIG. 6 is a top plan view of the first embodiment of the multi-layer racks.

FIG. 7 is a bottom plan view of the first embodiment of the multi-layer racks.

FIG. 8 is a perspective view of a second embodiment of multi-layer racks showing my new design.

FIG. 9 is a front elevation view of the second embodiment of the multi-layer racks.

FIG. 10 is a rear elevation view of the second embodiment of the multi-layer racks.

FIG. 11 is a left side elevation view of the second embodiment of the multi-layer racks.

FIG. 12 is a right side elevation view of the second embodiment of the multi-layer racks.

FIG. 13 is a top plan view of the second embodiment of the multi-layer racks.

FIG. 14 is a bottom plan view of the second embodiment of the multi-layer racks.

FIG. 15 is a perspective view of a third embodiment of multi-layer racks showing my new design.

FIG. 16 is a front elevation view of the third embodiment of the multi-layer racks.

FIG. 17 is a rear elevation view of the third embodiment of the multi-layer racks.

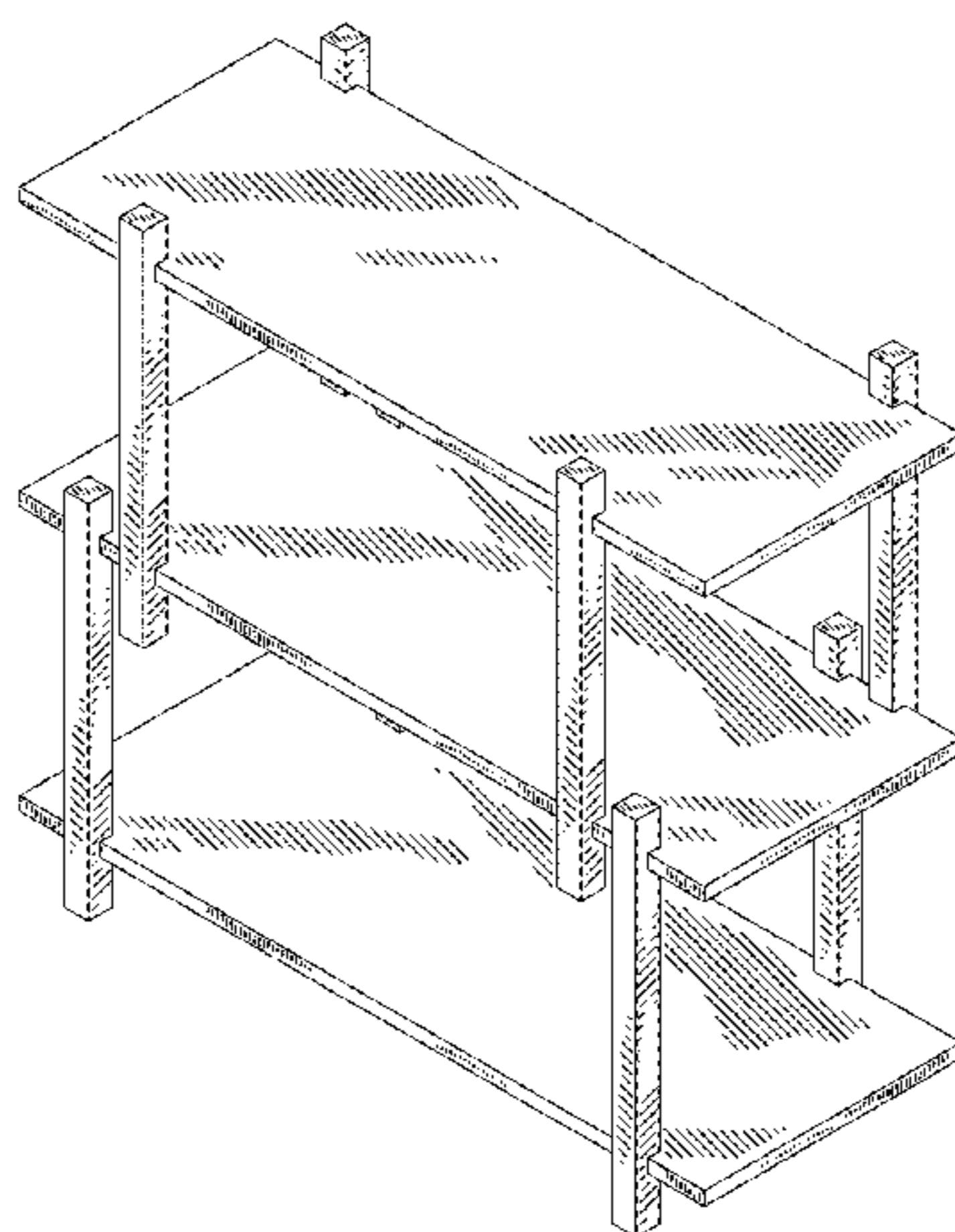
FIG. 18 is a left side elevation view of the third embodiment of the multi-layer racks.

FIG. 19 is a right side elevation view of the third embodiment of the multi-layer racks.

FIG. 20 is a top plan view of the third embodiment of the multi-layer racks; and,

FIG. 21 is a bottom plan view of the third embodiment of the multi-layer racks.

1 Claim, 21 Drawing Sheets



US D758,767 S

Page 2

(56)

References Cited

U.S. PATENT DOCUMENTS

D680,775 S * 4/2013 Xin D6/675.1
D691,837 S * 10/2013 Hinkle D6/675.1
D699,485 S * 2/2014 Hsu D6/675.1

D723,843 S 3/2015 Lai
D731,212 S * 6/2015 Hsu D6/675.2
D734,966 S * 7/2015 Greenspon D6/675.2
2010/0181274 A1* 7/2010 Vargo A47B 57/50
211/187

* cited by examiner

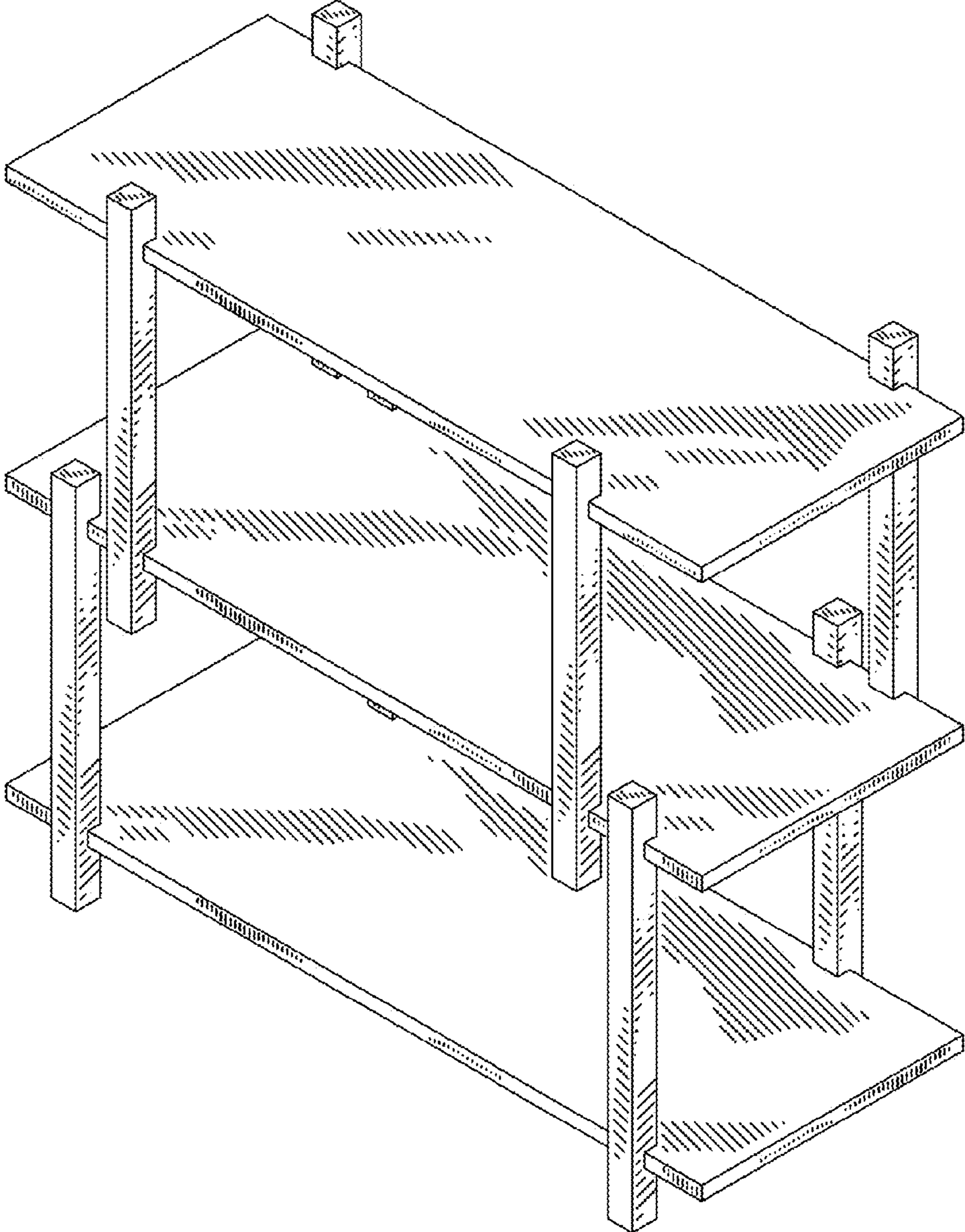


FIG. 1

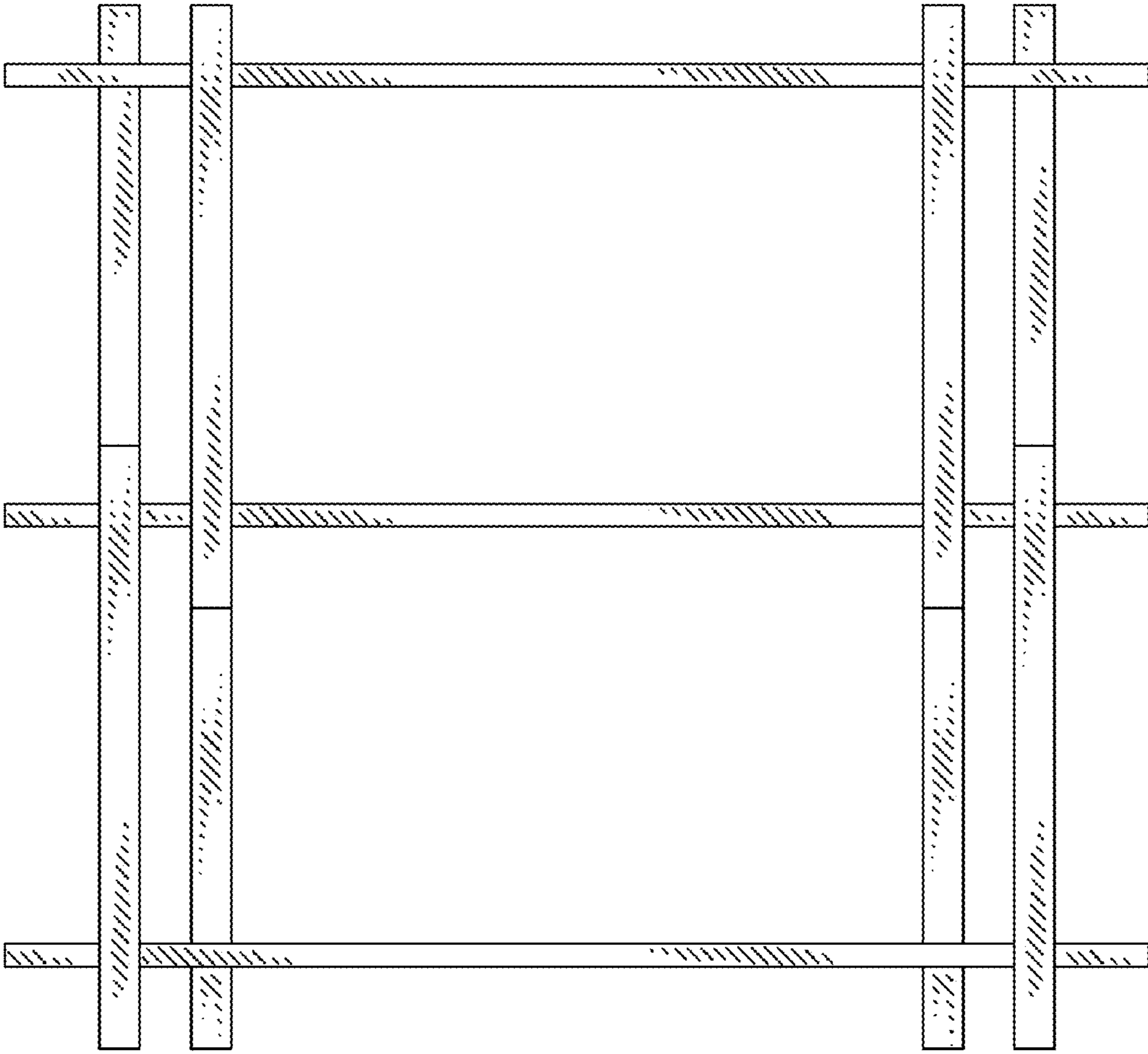


FIG. 2

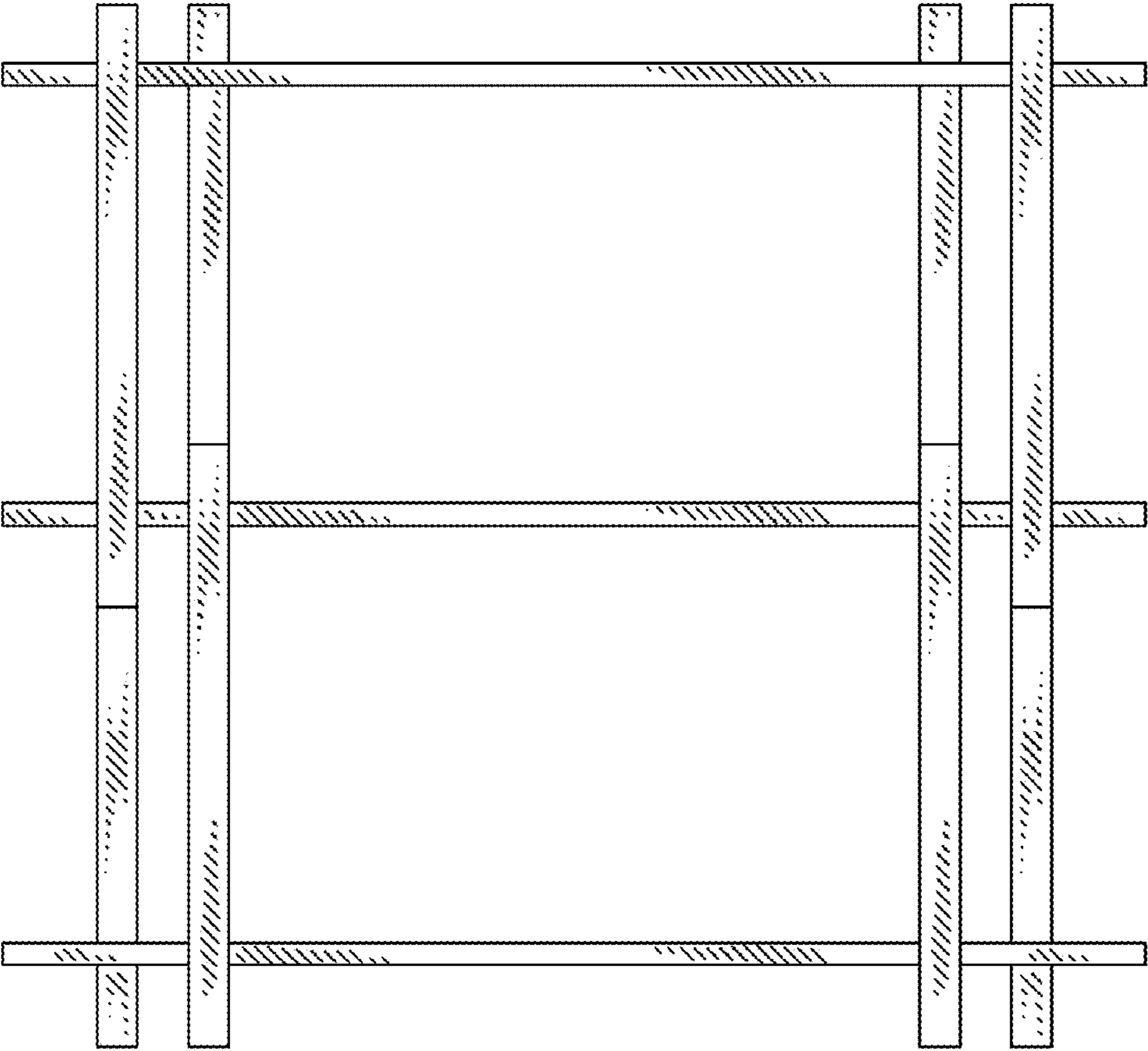


FIG. 3

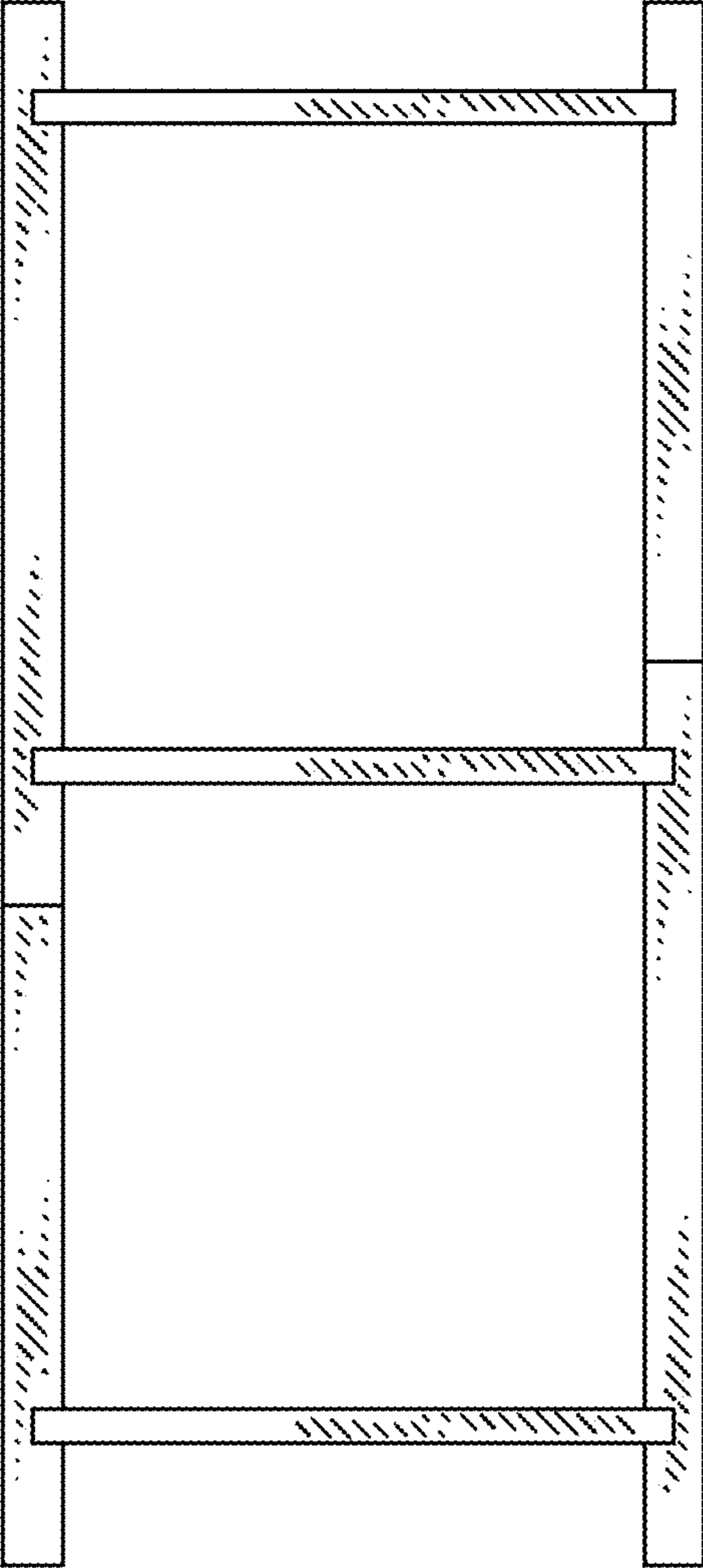


FIG. 4

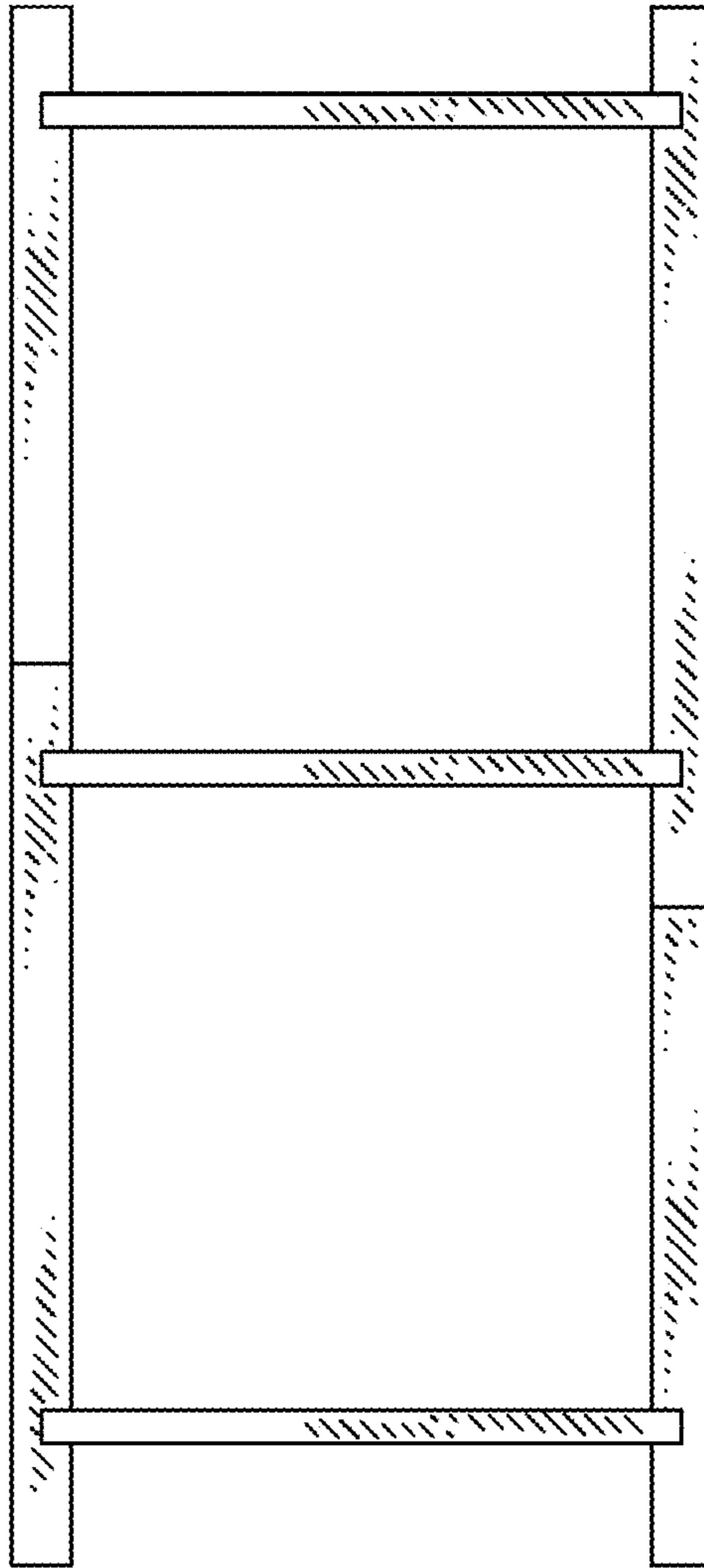


FIG. 5

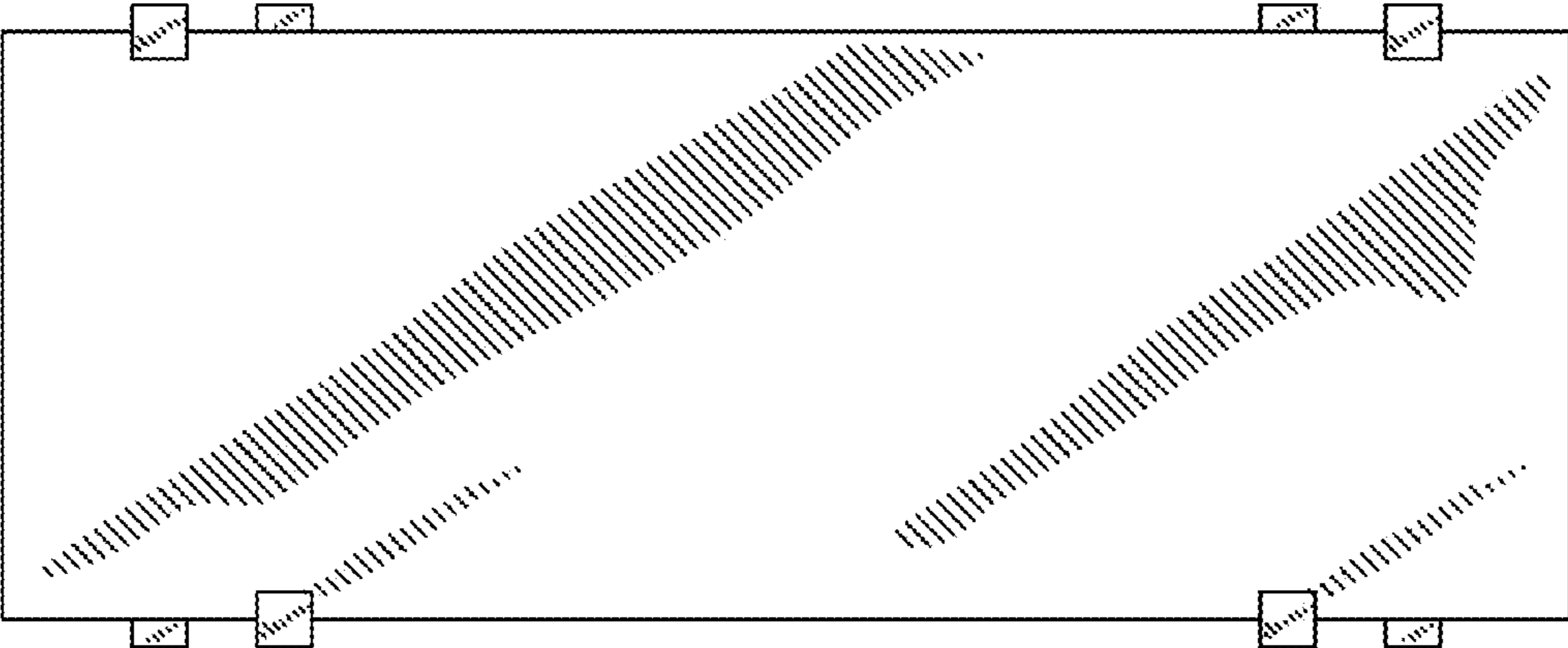


FIG. 6

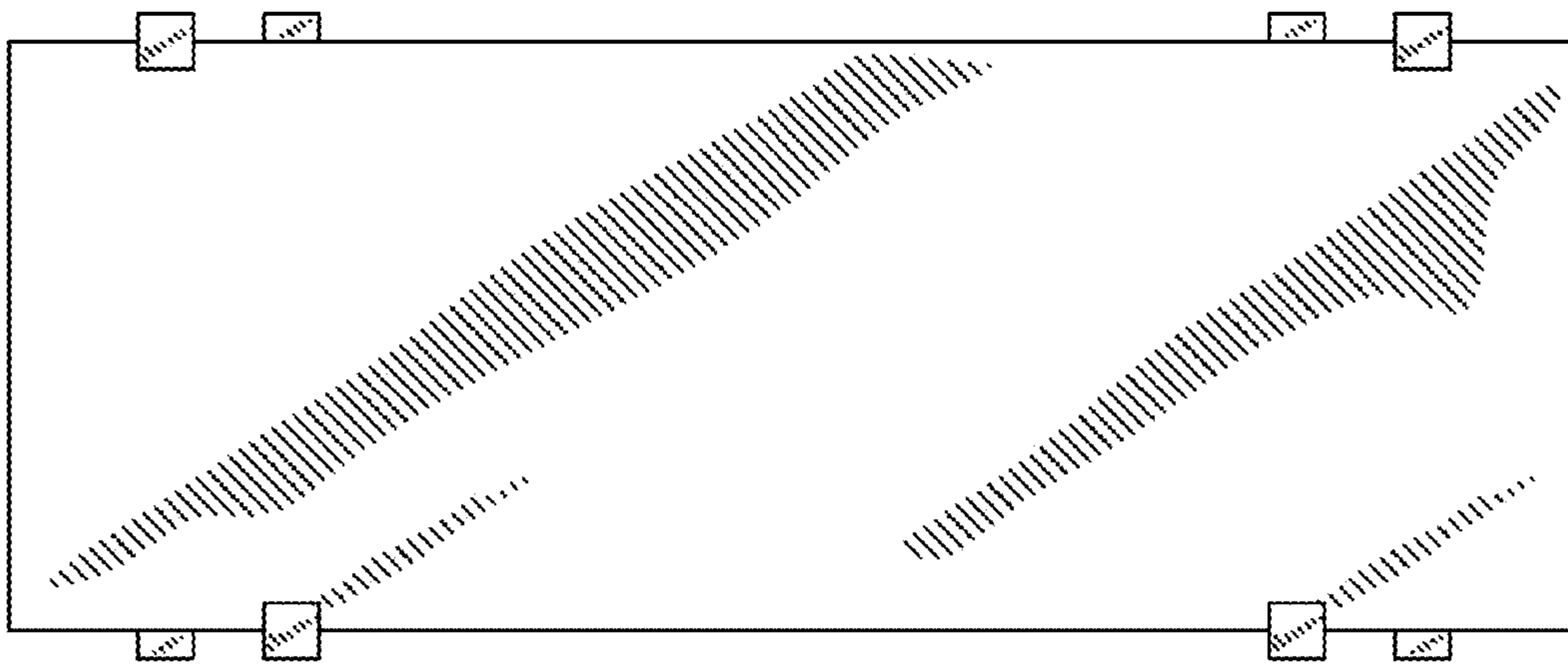


FIG. 7

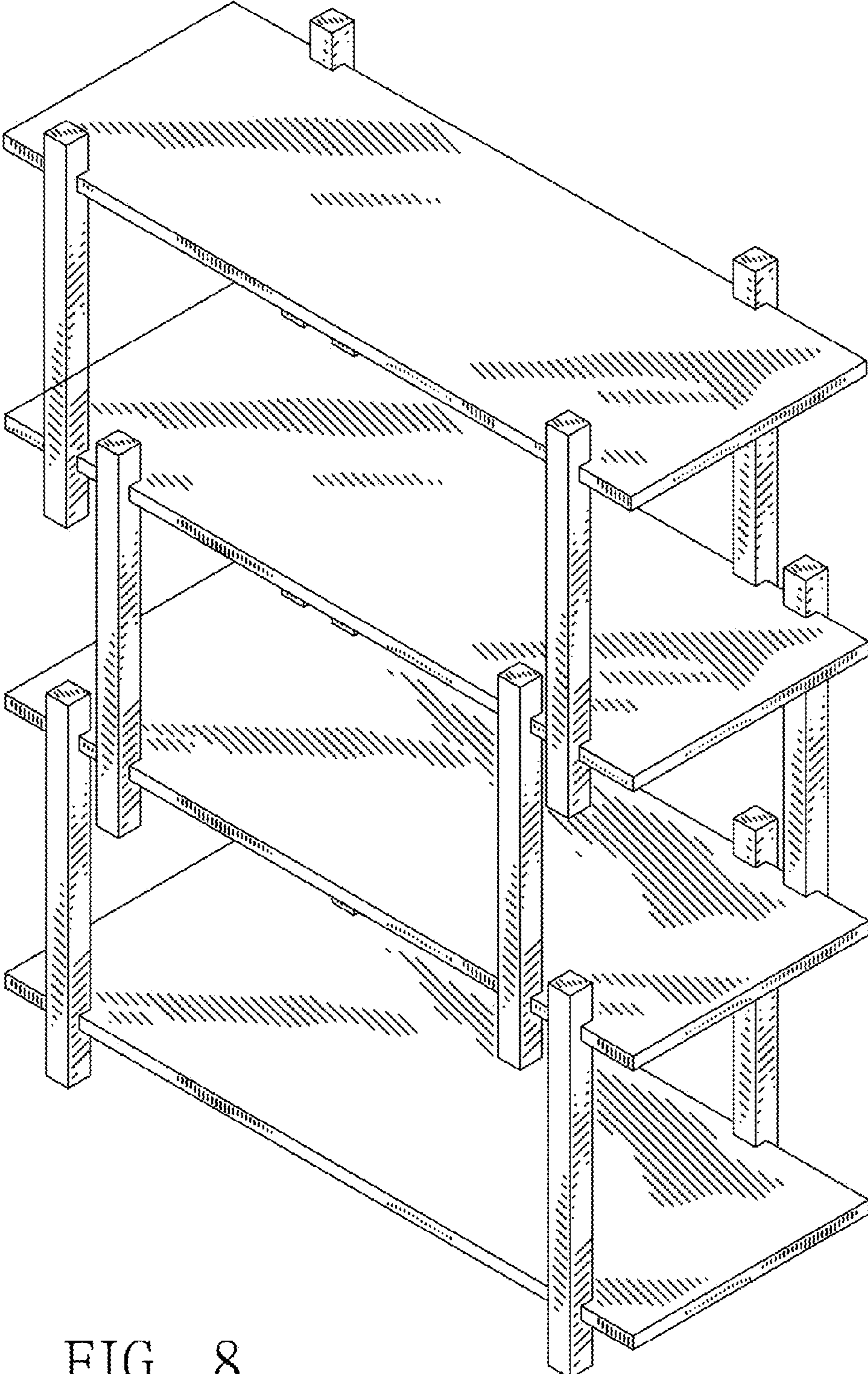


FIG. 8

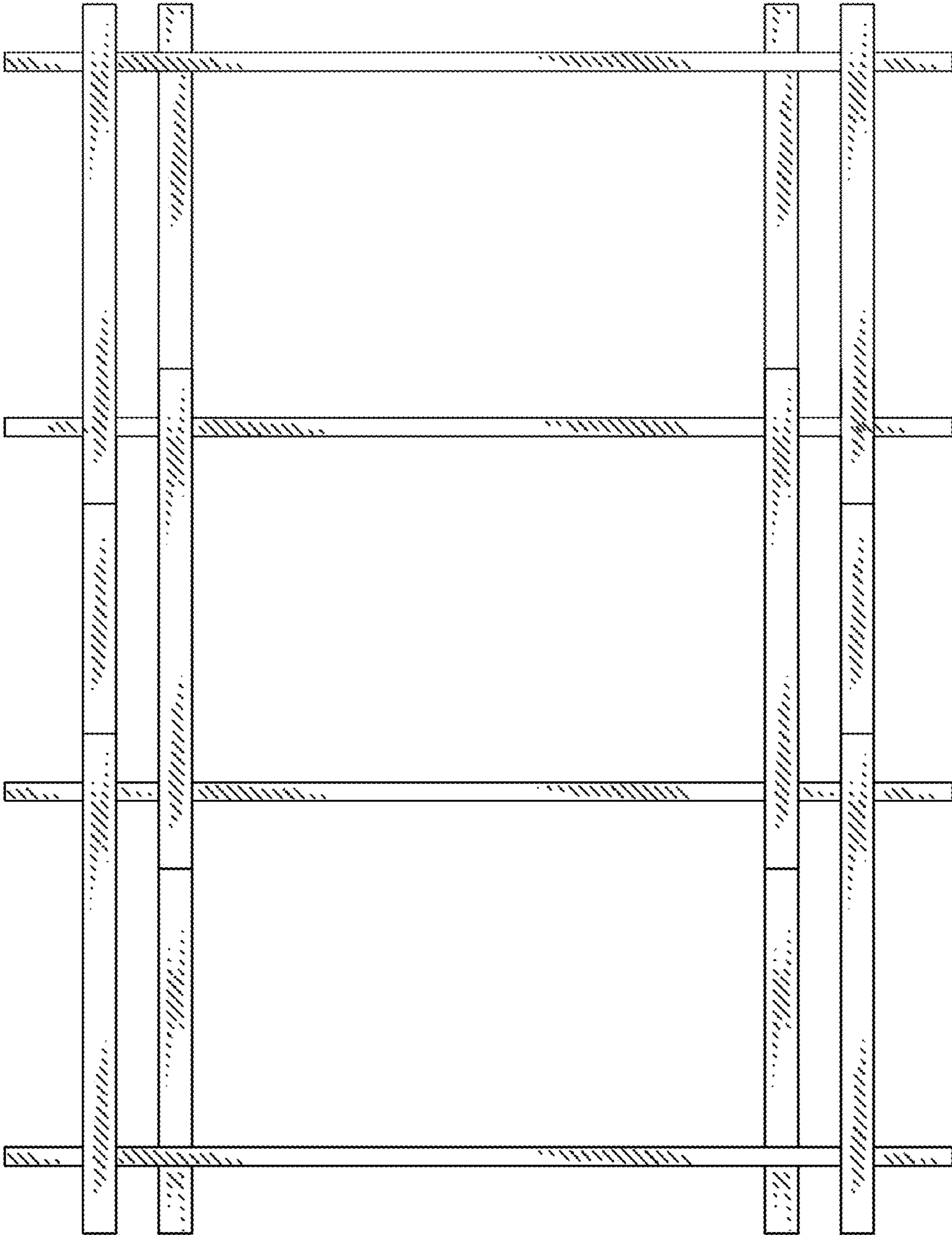


FIG. 9

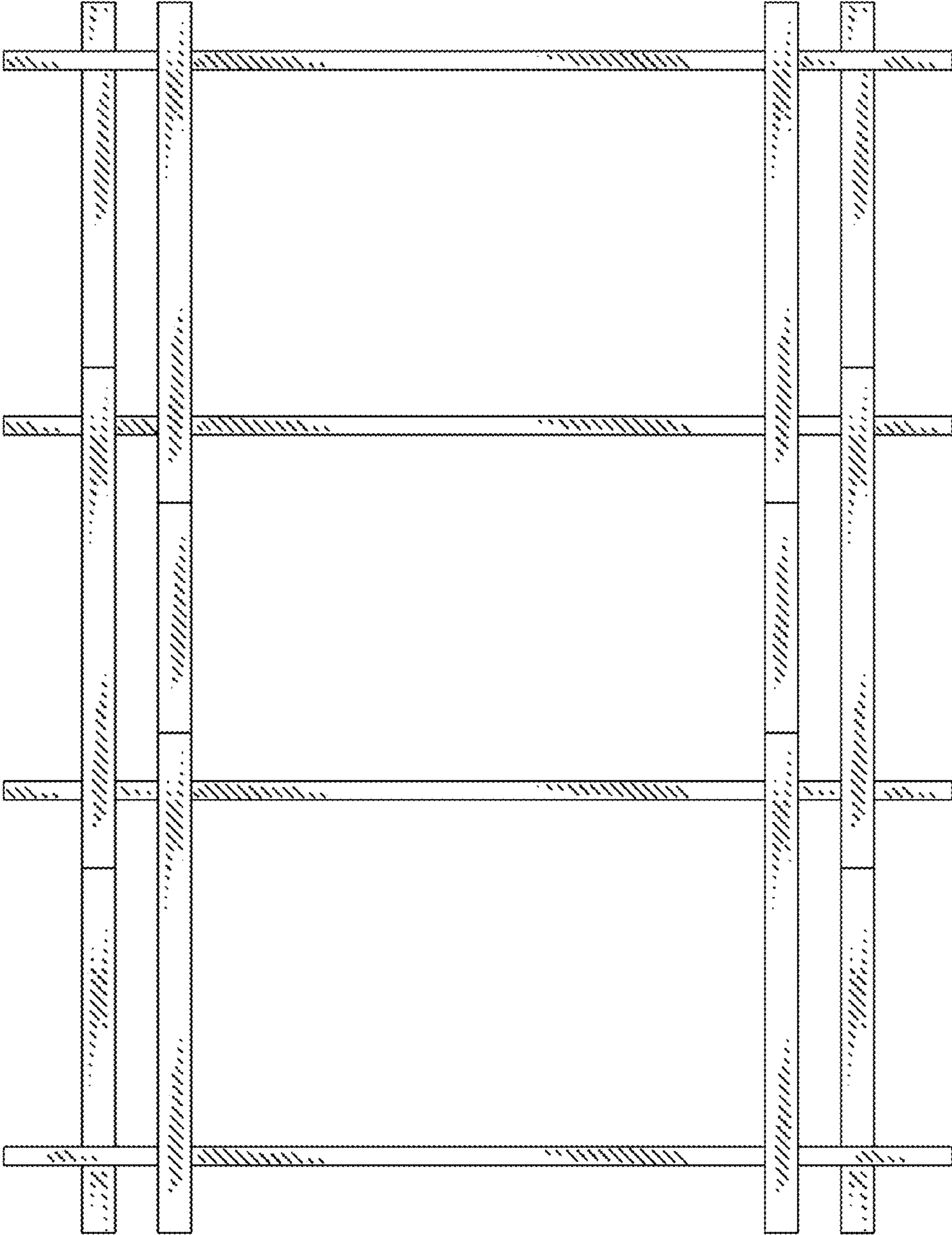


FIG. 10

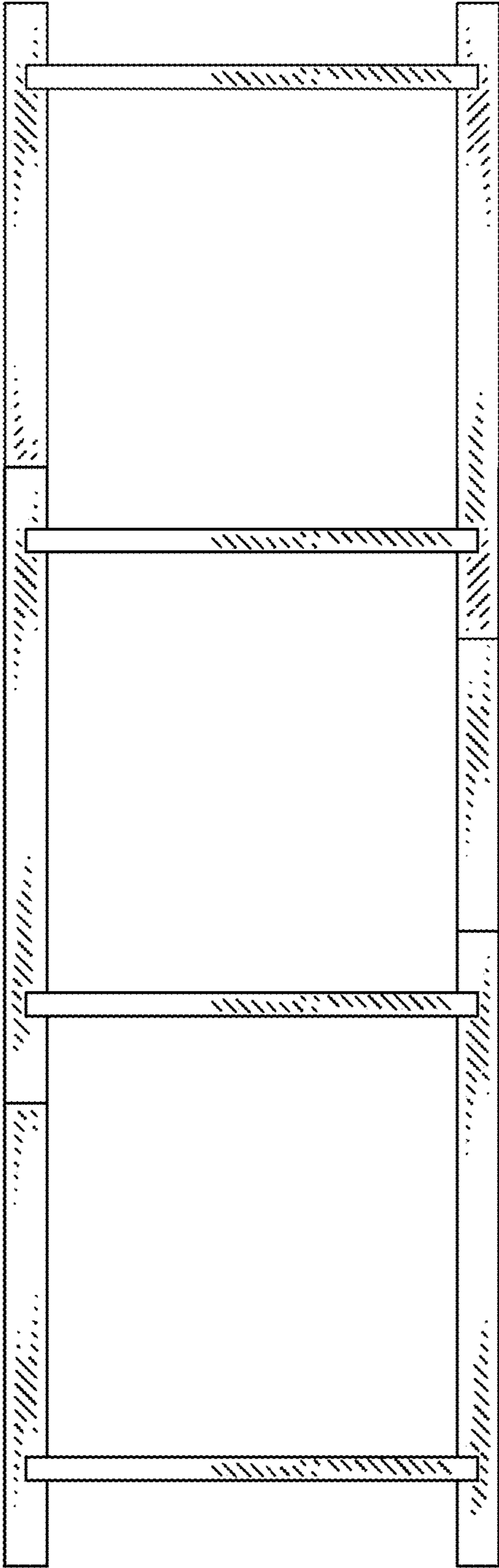


FIG. 11

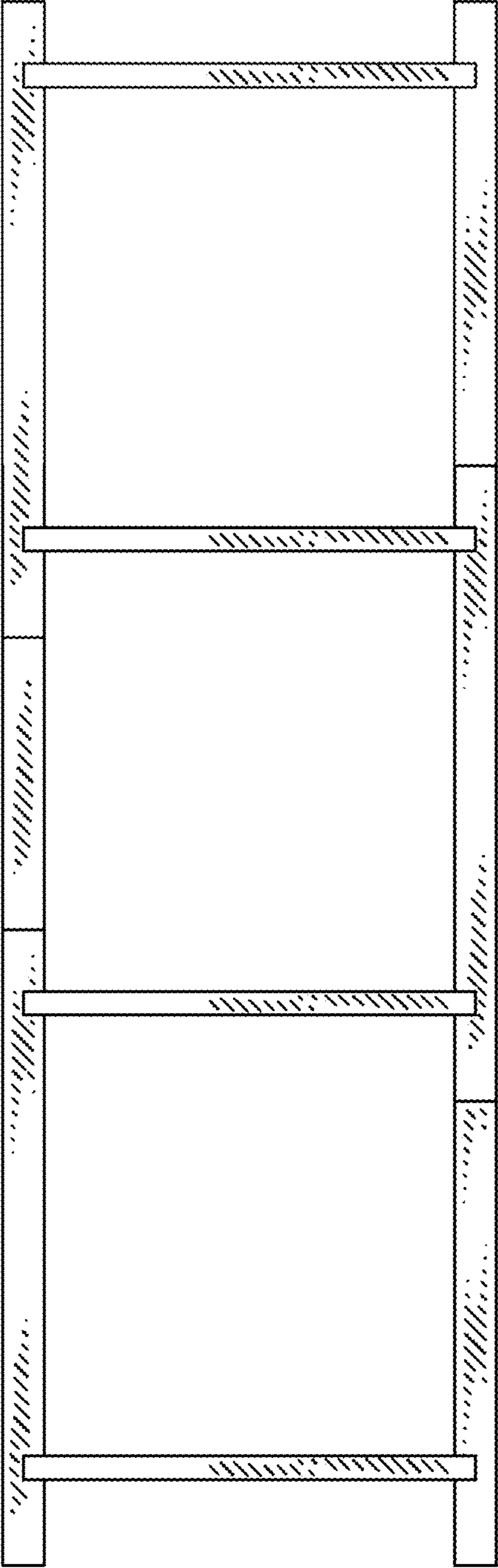


FIG. 12

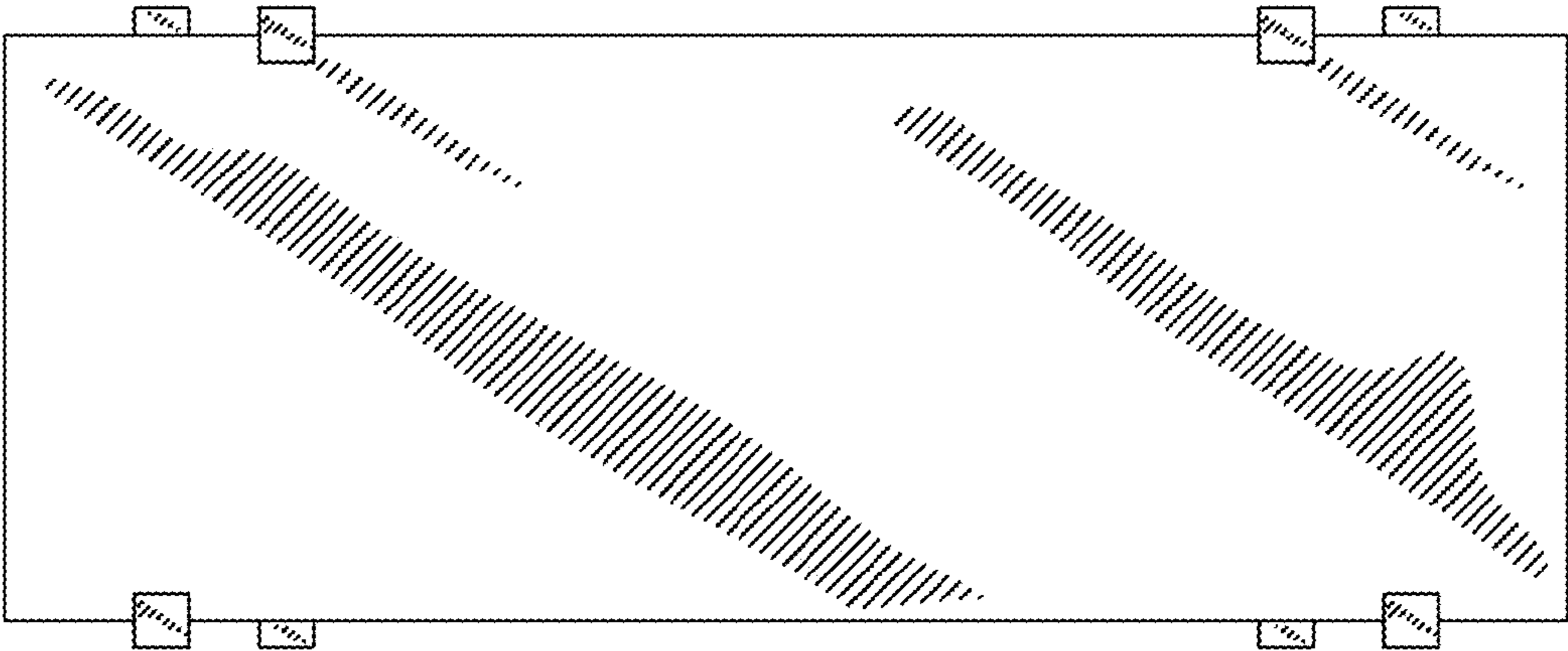


FIG. 13

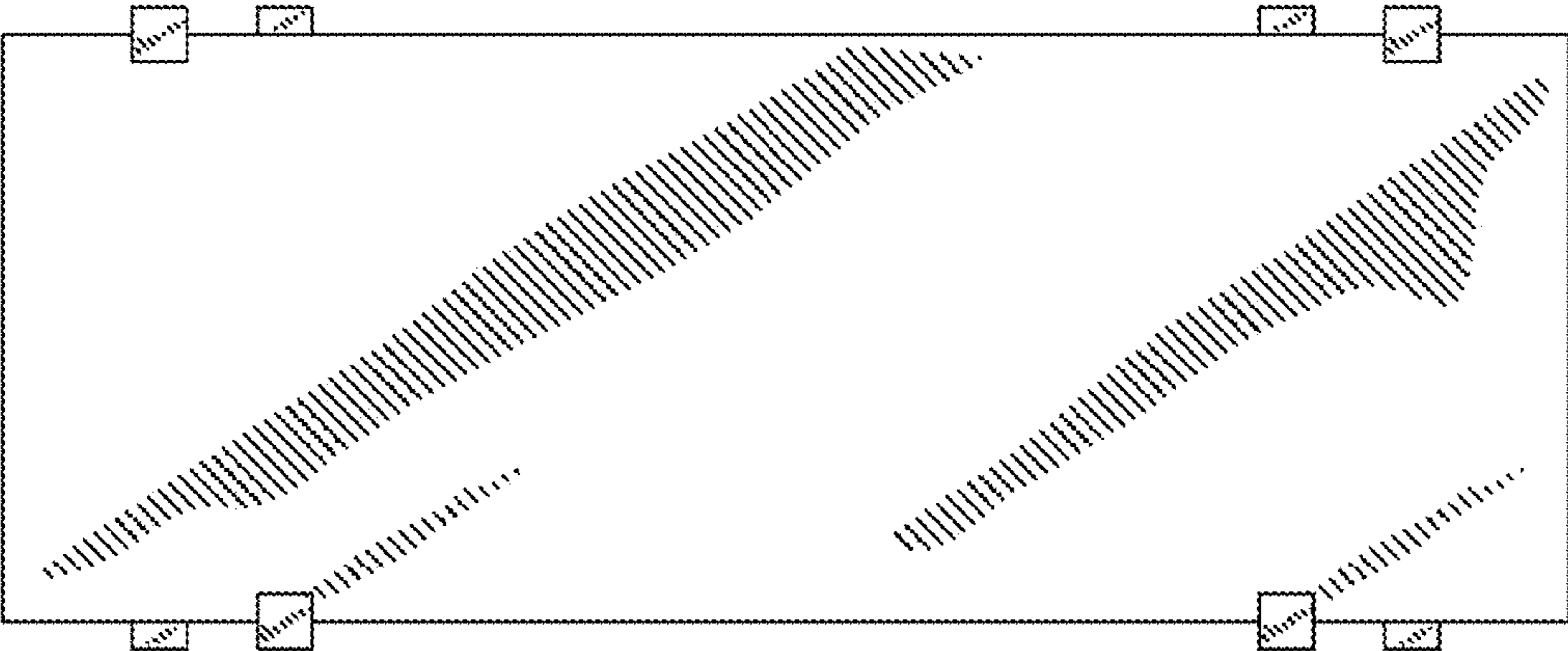


FIG. 14

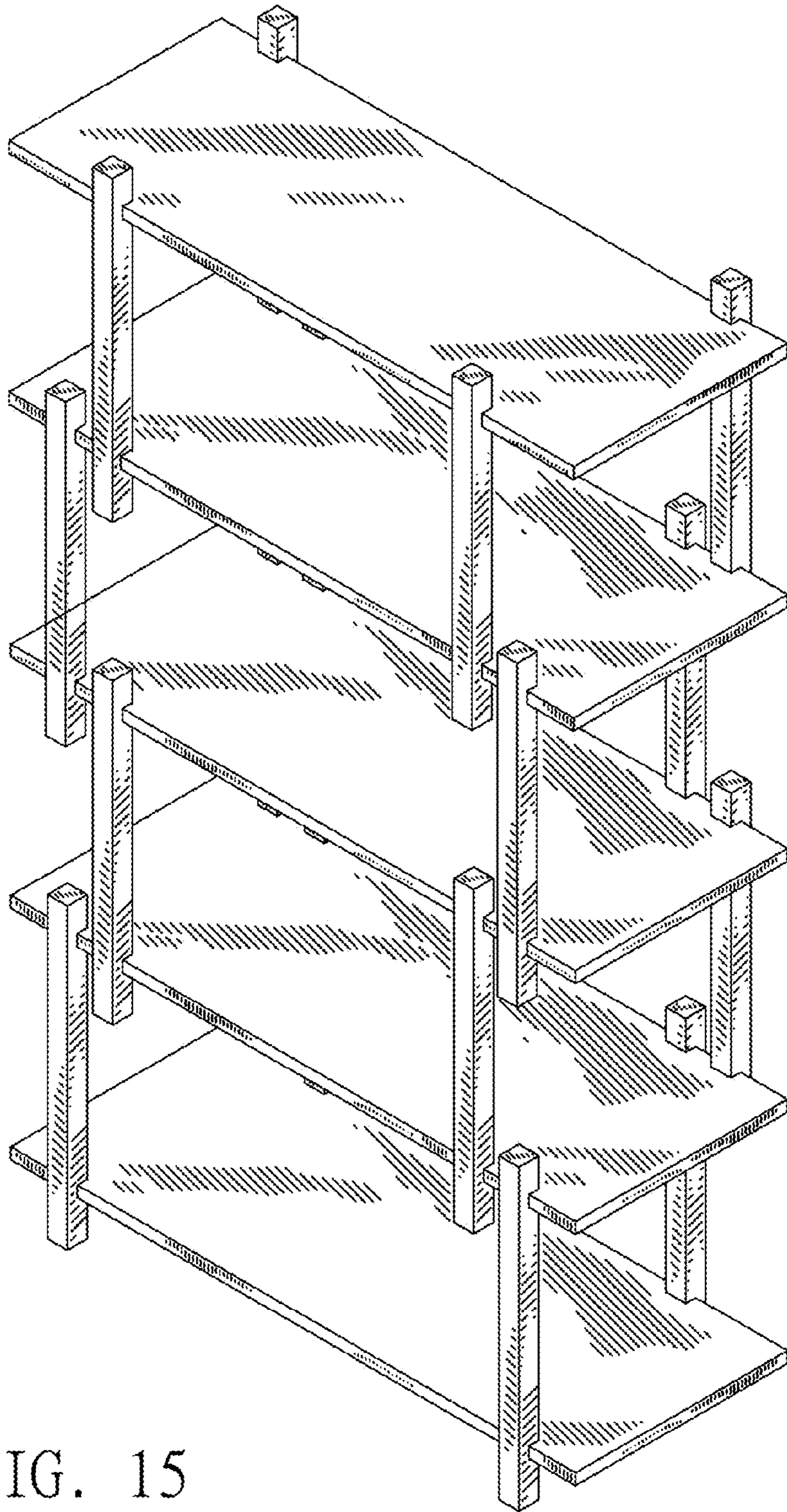


FIG. 15

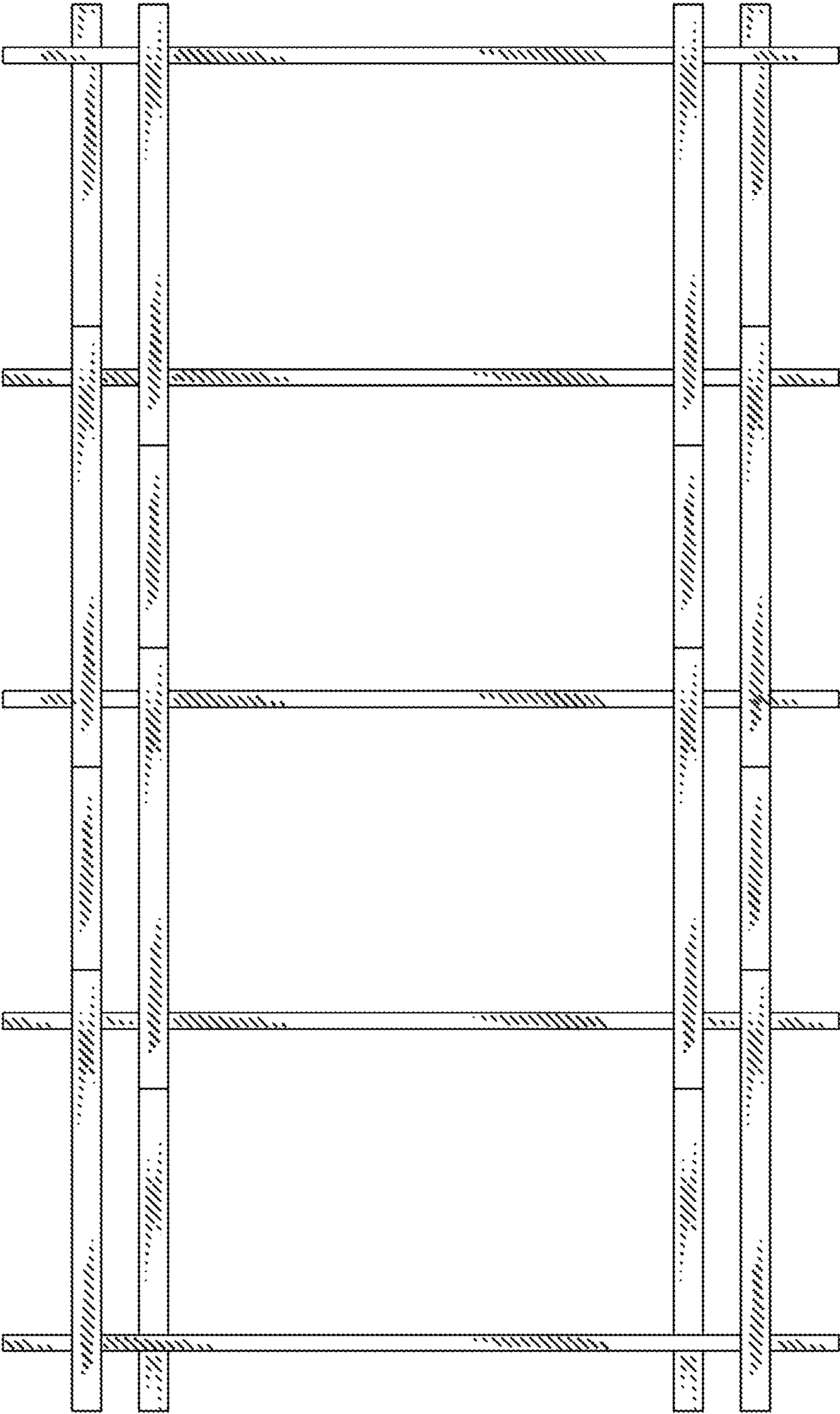


FIG. 16

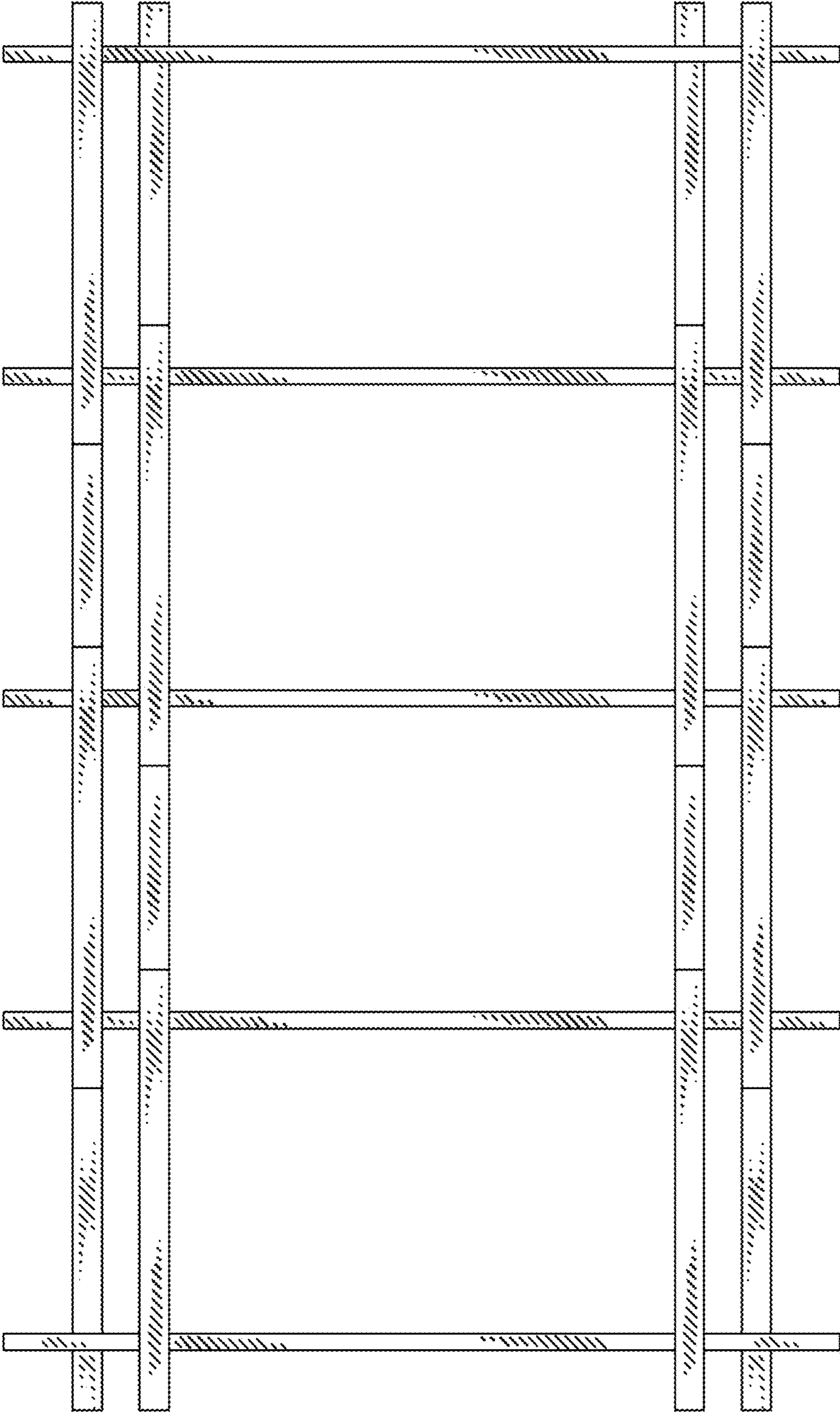


FIG. 17

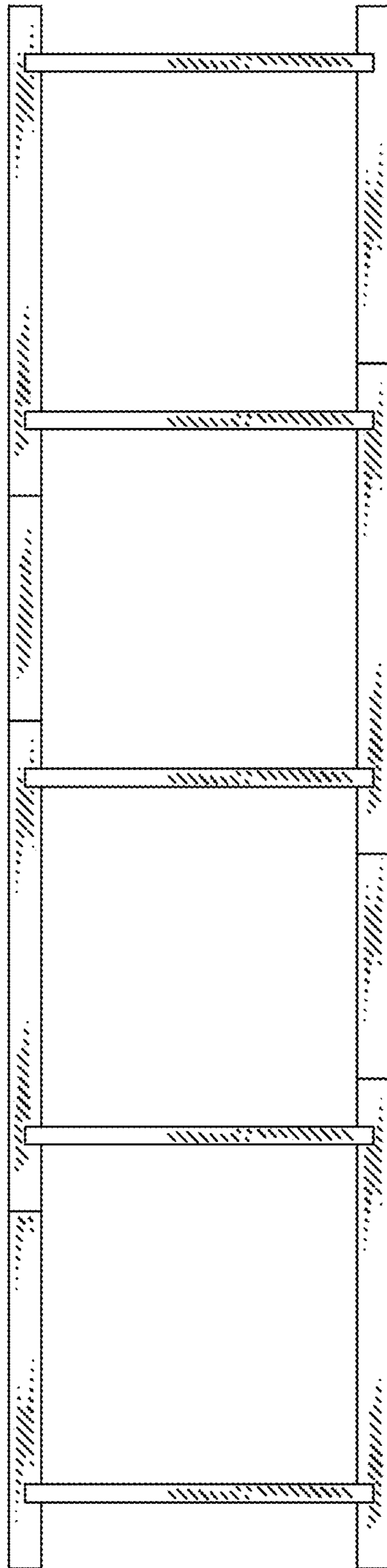


FIG. 18

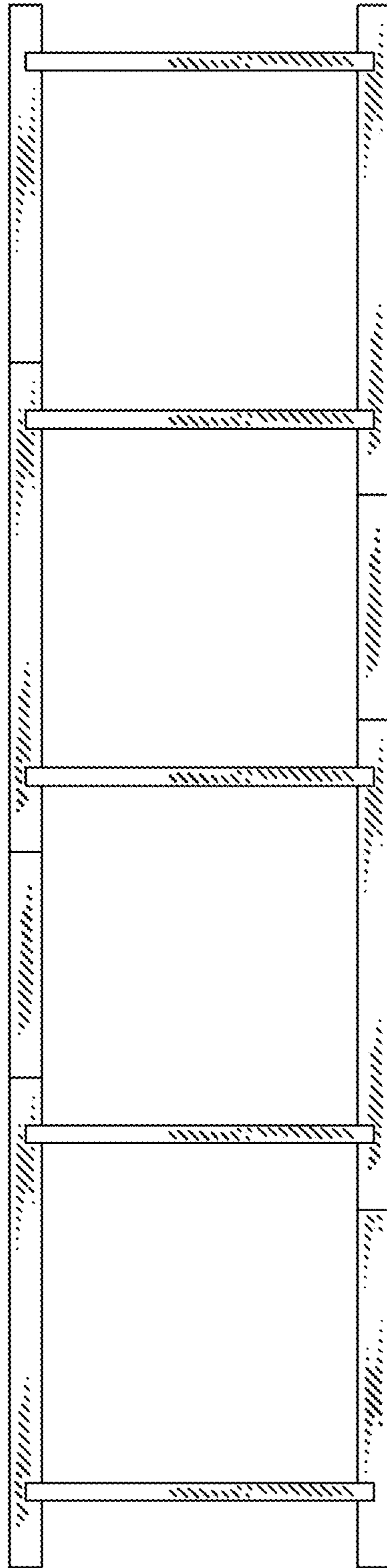


FIG. 19

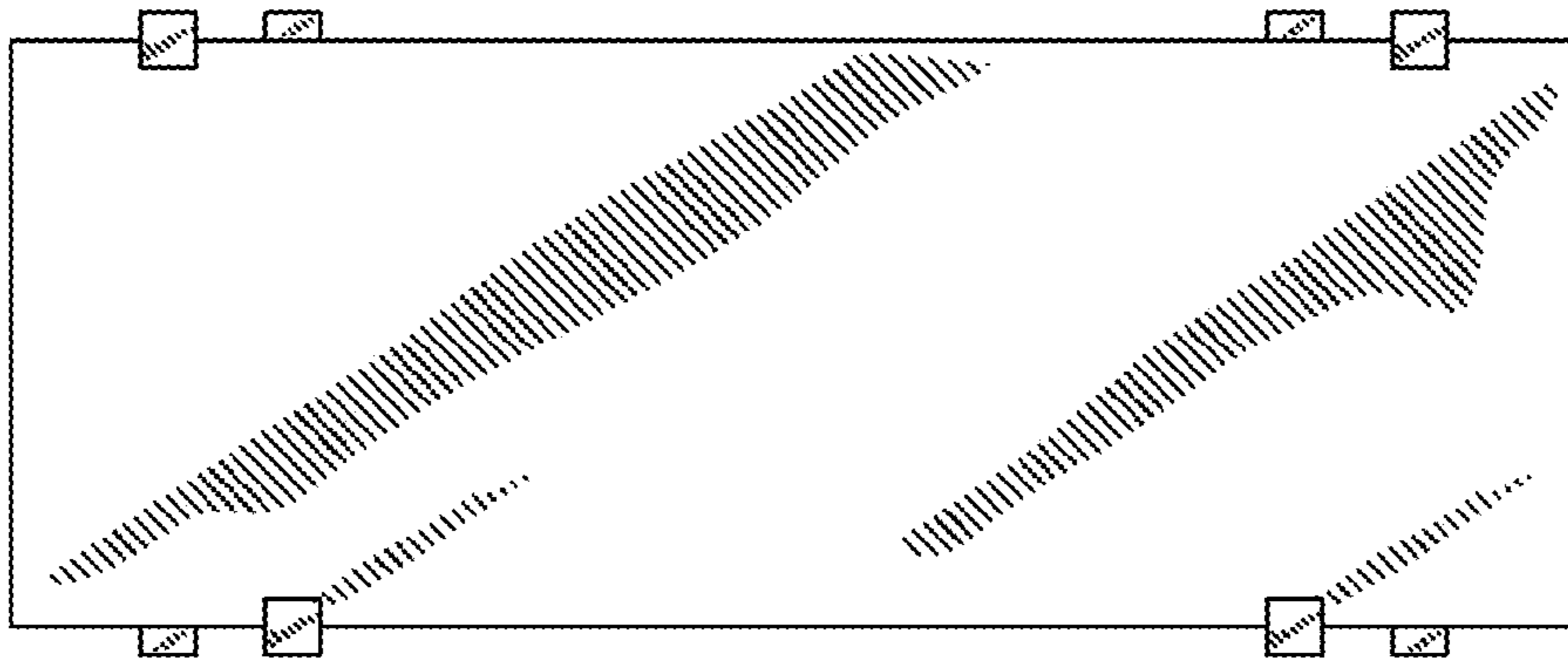


FIG. 20

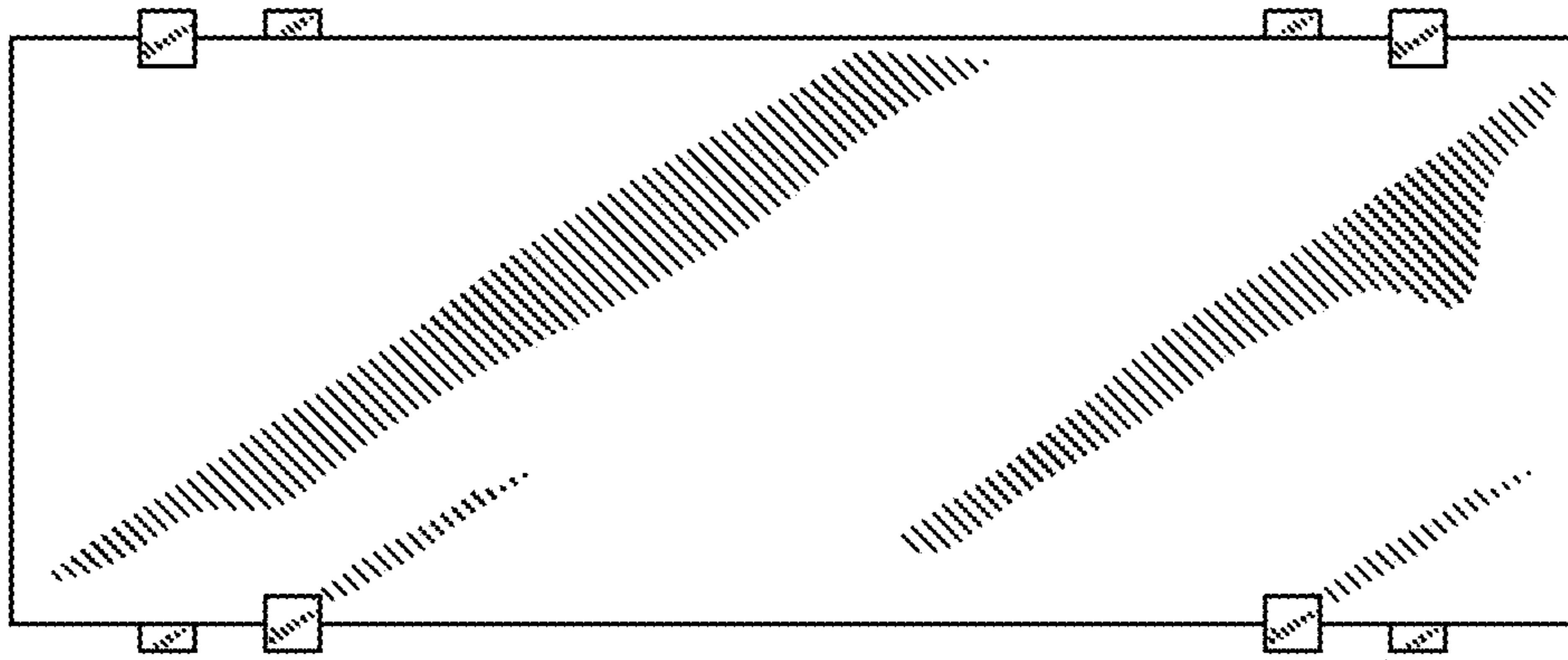


FIG. 21