



US00D758759S

(12) **United States Design Patent**
Anderson et al.

(10) **Patent No.:** **US D758,759 S**
(45) **Date of Patent:** **** Jun. 14, 2016**

(54) **HANDLE FOR A WINDOW COVERING**

(71) Applicant: **Hunter Douglas Inc.**, Pearl River, NY (US)

(72) Inventors: **Richard Anderson**, Whitesville, KY (US); **Mark Henry Sonnenberg**, Greenwich, CT (US); **Toralf H. Strand**, Kittery Point, ME (US)

(73) Assignee: **Hunter Douglas Inc.**, Pearl River, NY (US)

(**) Term: **14 Years**

(21) Appl. No.: **29/519,448**

(22) Filed: **Mar. 5, 2015**

Related U.S. Application Data

(63) Continuation-in-part of application No. 29/461,414, filed on Jul. 23, 2013, now abandoned.

(51) **LOC (10) Cl.** **06-10**

(52) **U.S. Cl.**
USPC **D6/580**

(58) **Field of Classification Search**
USPC D6/575, 576, 577, 578, 579, 580, 581;
D8/330, 349, 352, 353, 368, 369, 376,
D8/381; 160/84.01, 84.02, 84.03, 84.04,
160/84.05, 84.06, 84.07, 84.08, 107, 108,
160/111, 321
CPC E06B 3/30; E06B 9/00; E06B 9/02;
E06B 9/24; E06B 9/262; A47H 1/00; A47H
1/02; A47H 21/00; A47H 23/00; A47H 23/02;
A47H 23/04; A47H 2001/0205; A47H
2023/025

See application file for complete search history.

(56) **References Cited**

U.S. PATENT DOCUMENTS

7,673,665 B2 * 3/2010 Rossato E06B 9/262
160/84.01

| | | | | | |
|--------------|------|---------|----------|-------|---------------------------|
| 2002/0174961 | A1 * | 11/2002 | Anderson | | E06B 9/262 160/178.1 R |
| 2004/0182522 | A1 * | 9/2004 | Strand | | E06B 9/262 160/84.05 |
| 2004/0250965 | A1 * | 12/2004 | Strand | | E06B 9/322 160/170 |
| 2006/0196612 | A1 * | 9/2006 | Strand | | E06B 9/262 160/84.05 |
| 2008/0115894 | A1 * | 5/2008 | Cech | | E06B 9/36 160/168.1 V |
| 2012/0227912 | A1 * | 9/2012 | Anderson | | E06B 9/32 160/87 |
| 2014/0158314 | A1 * | 6/2014 | Anderson | | E06B 9/322 160/368.1 |
| 2015/0013921 | A1 * | 1/2015 | Franssen | | E06B 9/388 160/84.04 |
| 2015/0197984 | A1 * | 7/2015 | Anderson | | E06B 9/322 160/298 |

* cited by examiner

Primary Examiner — Karen S Acker

Assistant Examiner — Wendy Arminio

(74) *Attorney, Agent, or Firm* — Theresa Camoriano; Guillermo Camoriano

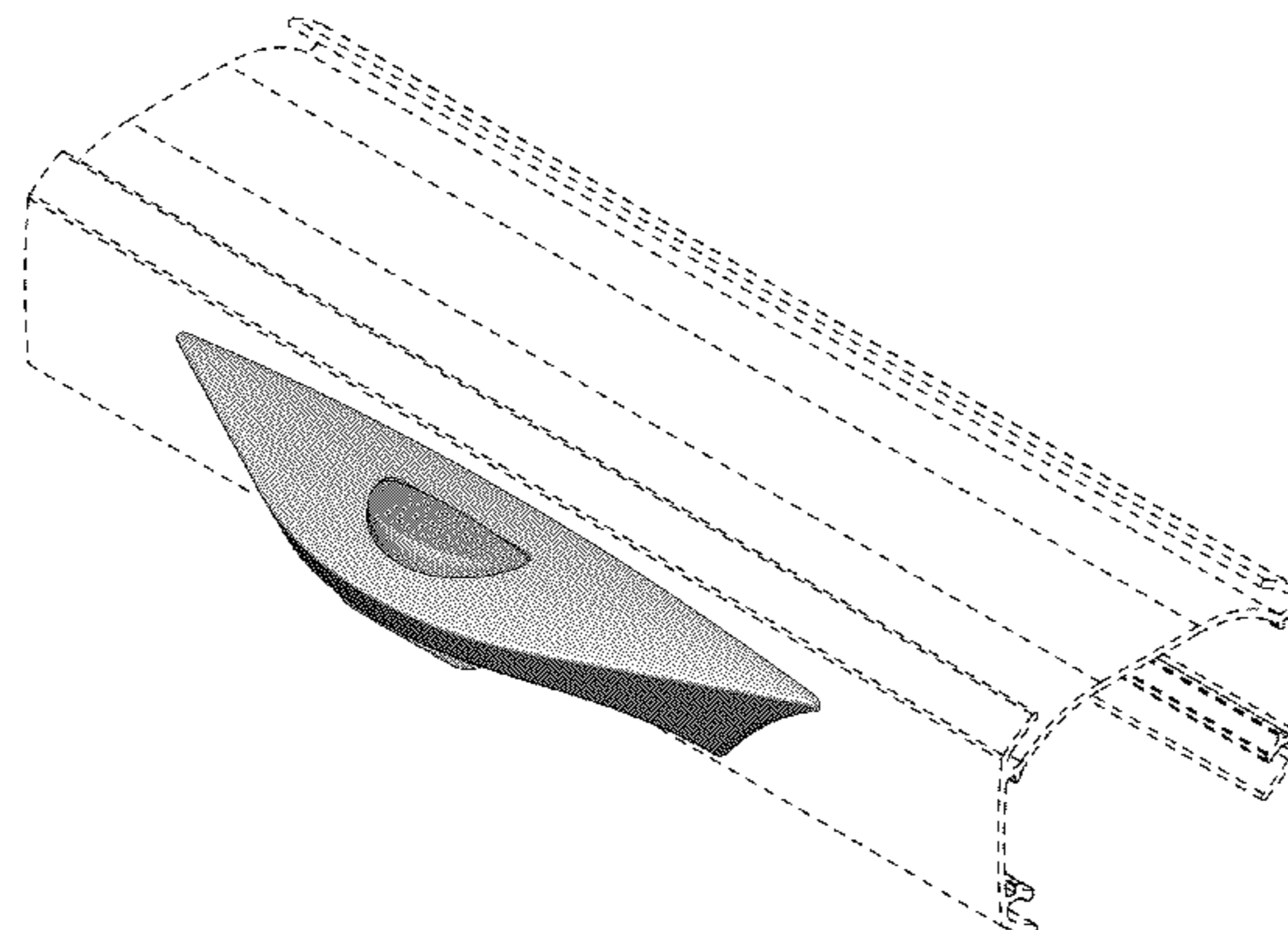
(57) **CLAIM**

The ornamental design for a handle for a window covering, as shown and described.

DESCRIPTION

FIG. 1 is a top perspective view of a handle for a window covering showing our design in a position of use; FIG. 2 is a front view thereof; FIG. 3 is a top view thereof; FIG. 4 is a bottom view thereof; FIG. 5 is a right side view thereof, which is a mirror image of the left side view; and, FIG. 6 is a bottom perspective view thereof. The broken lines in FIG. 1 illustrating a rail on which the handle for a window covering is mounted depicts environmental structure and forms no part of the claimed design.

1 Claim, 3 Drawing Sheets



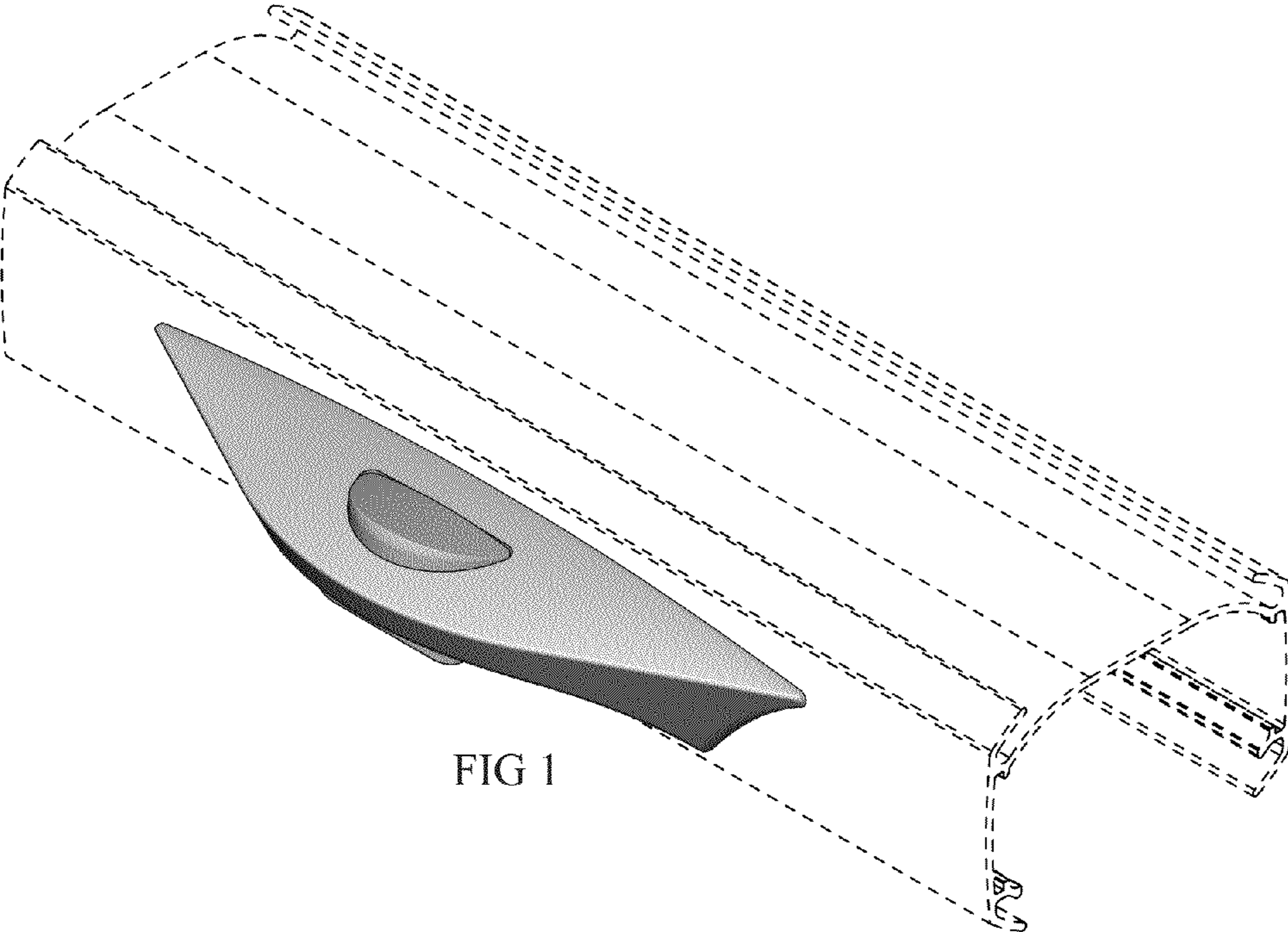


FIG 1

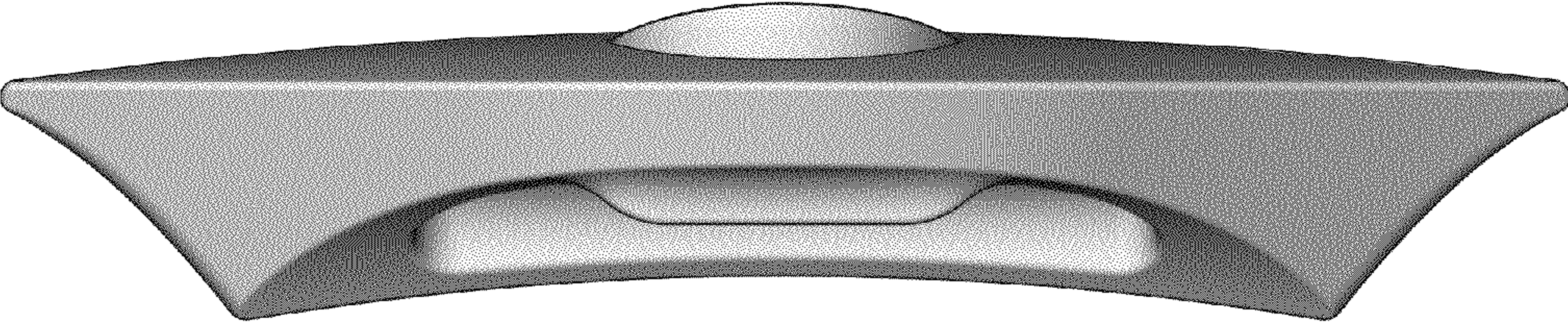


FIG 2

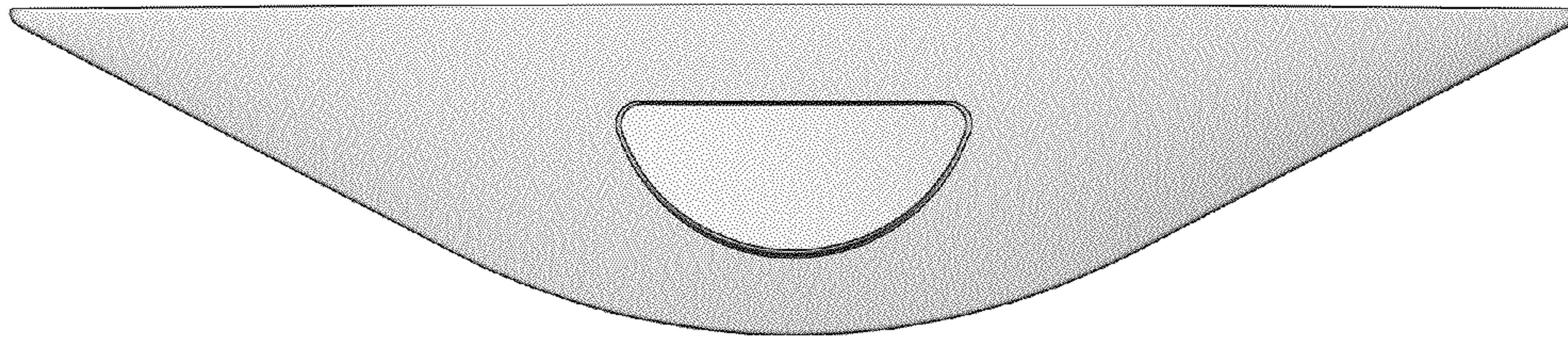


FIG 3



FIG 4

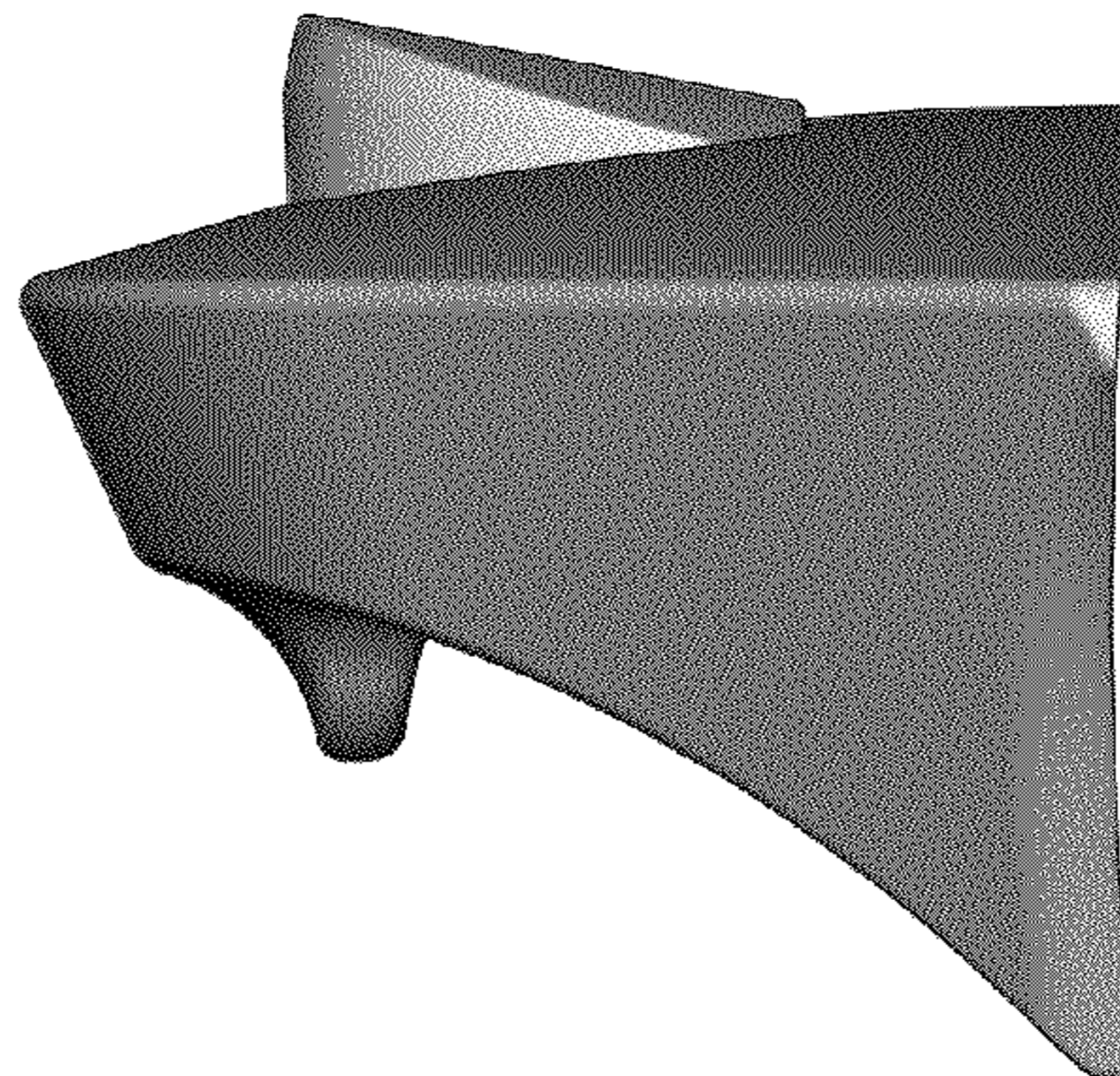


FIG 5

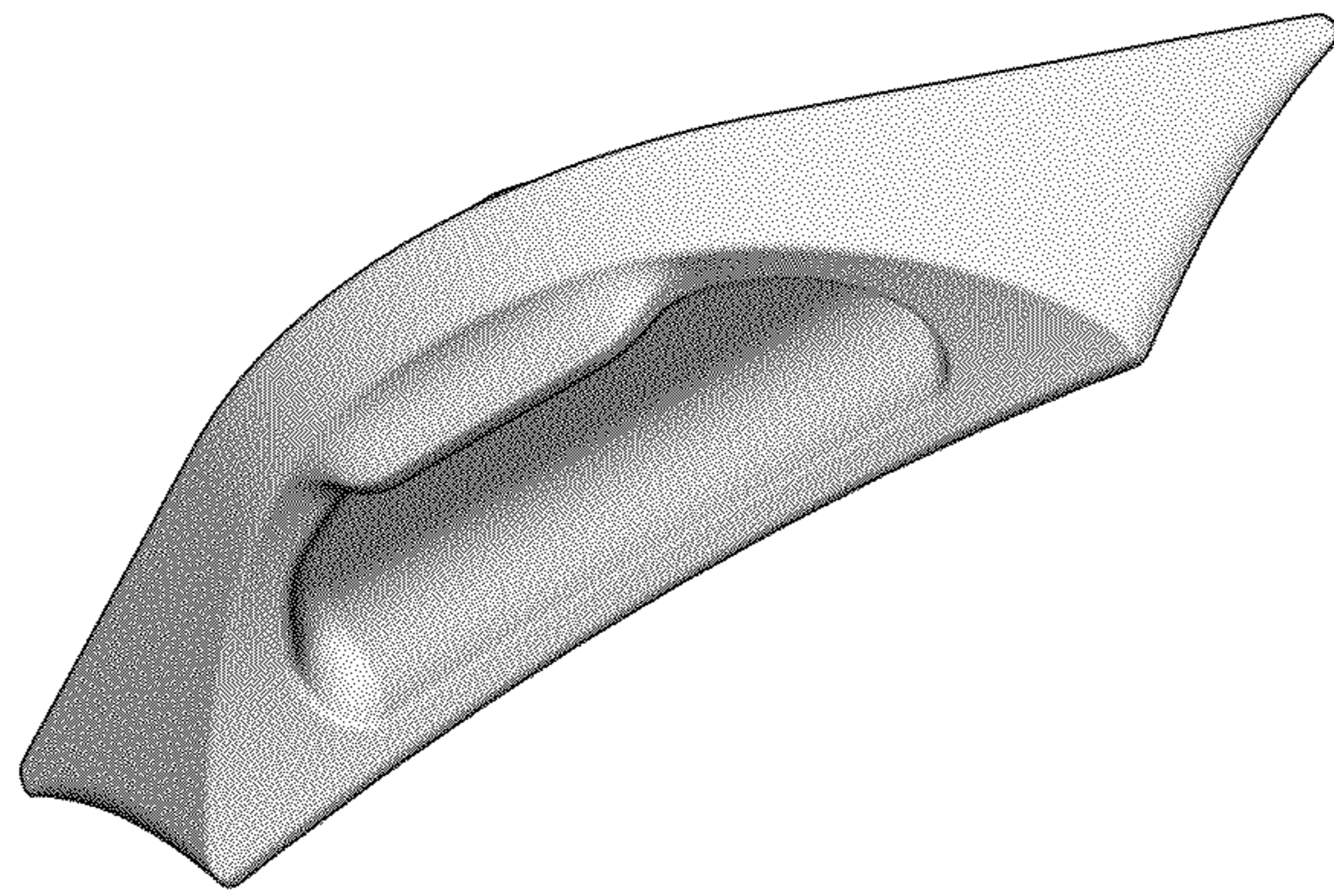


FIG 6