



US00D758756S

(12) **United States Design Patent**
Goodman et al.

(10) **Patent No.:** **US D758,756 S**
(45) **Date of Patent:** **** Jun. 14, 2016**

(54) **PAPER TOWEL HOLDER**
(71) Applicant: **Spectrum Diversified Designs, Inc.**,
Streetsboro, OH (US)
(72) Inventors: **Sheldon H. Goodman**, Solon, OH (US);
Phaysouk Xayoiphonh, Akron, OH
(US)
(73) Assignee: **Spectrum Diversified Designs, LLC**,
Streetsboro, OH (US)

D474,361 S * 5/2003 Ancona D6/521
D474,633 S * 5/2003 Ancona D6/521
D474,634 S * 5/2003 Ancona D6/521
D474,635 S * 5/2003 Ancona D6/521
D576,825 S * 9/2008 Goodman D6/521
D582,709 S * 12/2008 Goodman D6/521
D628,836 S * 12/2010 Guindi D6/521
D628,837 S * 12/2010 Goodman D6/521
D628,838 S * 12/2010 Goodman D6/521
D631,271 S * 1/2011 Goodman D6/521
D653,889 S * 2/2012 Guindi D6/521
D660,629 S * 5/2012 Goodman D6/521
D667,662 S * 9/2012 Goodman D6/521

(**) Term: **15 Years**

(Continued)

(21) Appl. No.: **29/543,779**

(22) Filed: **Oct. 28, 2015**

(51) **LOC (10) Cl.** **20-02**

(52) **U.S. Cl.**
USPC **D6/521**

(58) **Field of Classification Search**
USPC D6/518-523; 206/389, 391; 211/13.1,
211/59.1, 45, 89.01, 16, 85.5, 86.01, 87.01,
211/88.04, 100, 105.1, 105.2, 106, 113,
211/123, 181.1, 182-183; 242/570, 590,
242/597.7, 390.1, 390.2; D25/45; D8/300,
D8/370, 315; 108/28-29; 248/49, 175,
248/176.1, 200, 201, 205.1, 251, 302,
248/309.1, 315

CPC A47K 10/3836; A47K 2010/3863;
B26F 3/02; Y10T 225/282

See application file for complete search history.

(56) **References Cited**

U.S. PATENT DOCUMENTS

1,699,935 A * 1/1929 Warnes A47J 29/06
211/181.1
D390,054 S * 2/1998 Goodman D6/521
D395,567 S * 6/1998 Hollinger D6/521
D405,304 S * 2/1999 Goodman D6/521
D412,803 S * 8/1999 Goodman D6/521
D438,737 S * 3/2001 Goodman D6/522

OTHER PUBLICATIONS

Spectrum diversified design website, scroll paper towel holder, Feb. 1, 2016, <https://www.spectrumdiversified.com/Paper-Towel-Napkin-Holders-Scroll-Paper-Towel-Holder>.*

Primary Examiner — David Muller

Assistant Examiner — Nathan Johnston

(74) *Attorney, Agent, or Firm* — Benesch Friedlander Coplan & Aronoff, LLP

(57) **CLAIM**

What is claimed is the ornamental design for a paper towel holder, as shown and described.

DESCRIPTION

FIG. 1 is a perspective view of a paper towel holder showing a new design;

FIG. 2 is a front elevation view thereof;

FIG. 3 is a rear elevation view thereof;

FIG. 4 is a right side elevation view thereof;

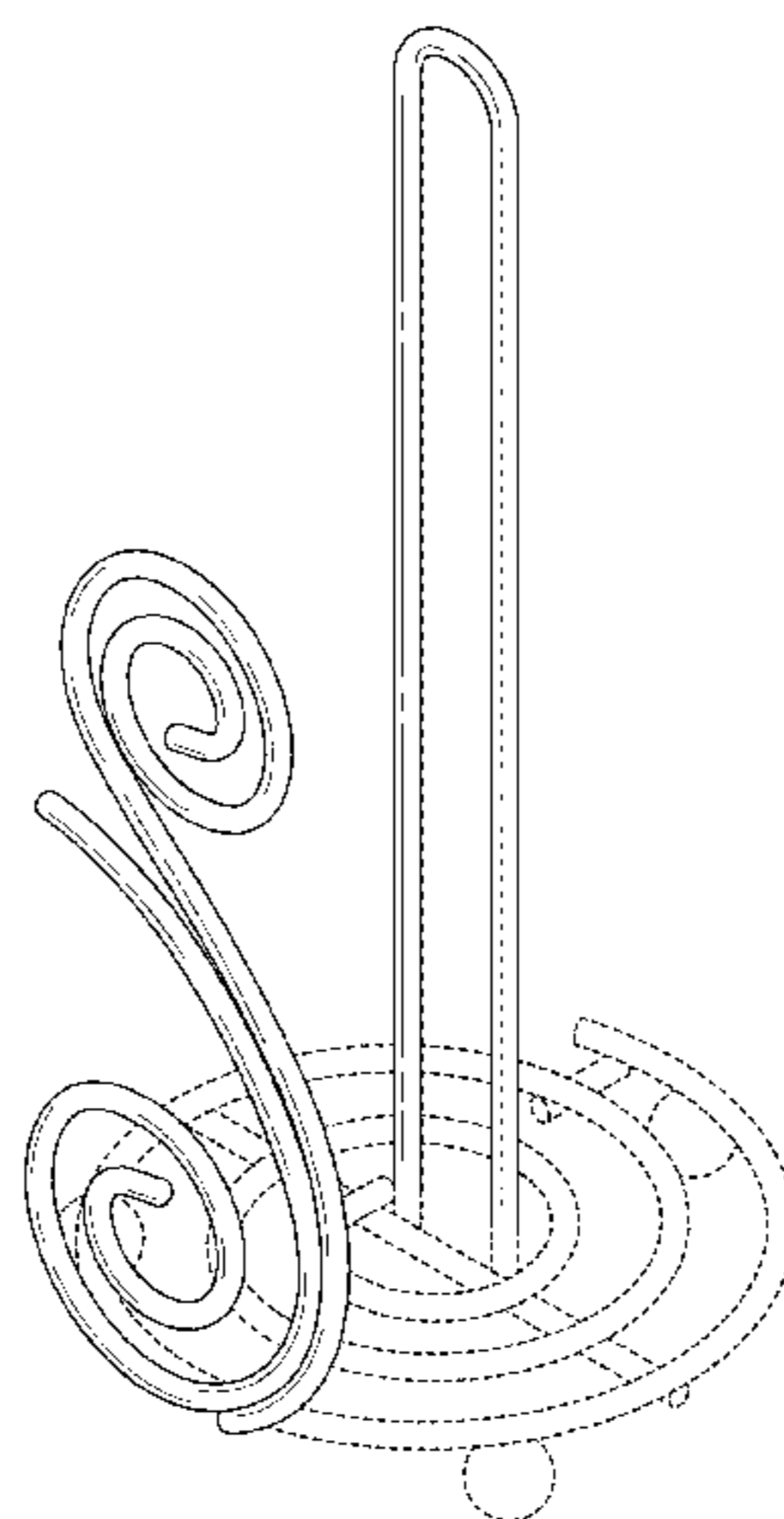
FIG. 5 is a left side elevation view thereof;

FIG. 6 is a top plan view thereof; and,

FIG. 7 is a bottom plan view thereof.

The components of the display shown in broken lines illustrate portions of the paper towel holder which form no part of the claimed design.

1 Claim, 7 Drawing Sheets



US D758,756 S

Page 2

(56)

References Cited

U.S. PATENT DOCUMENTS

D667,663 S * 9/2012 Goodman D6/521
D698,571 S * 2/2014 Tawil D6/520
D699,046 S * 2/2014 Goodman D6/521

D711,664 S * 8/2014 Goodman D6/521
D716,070 S * 10/2014 Goodman D6/521
D717,564 S * 11/2014 Goodman D6/521
D723,832 S * 3/2015 Goodman D6/521

* cited by examiner

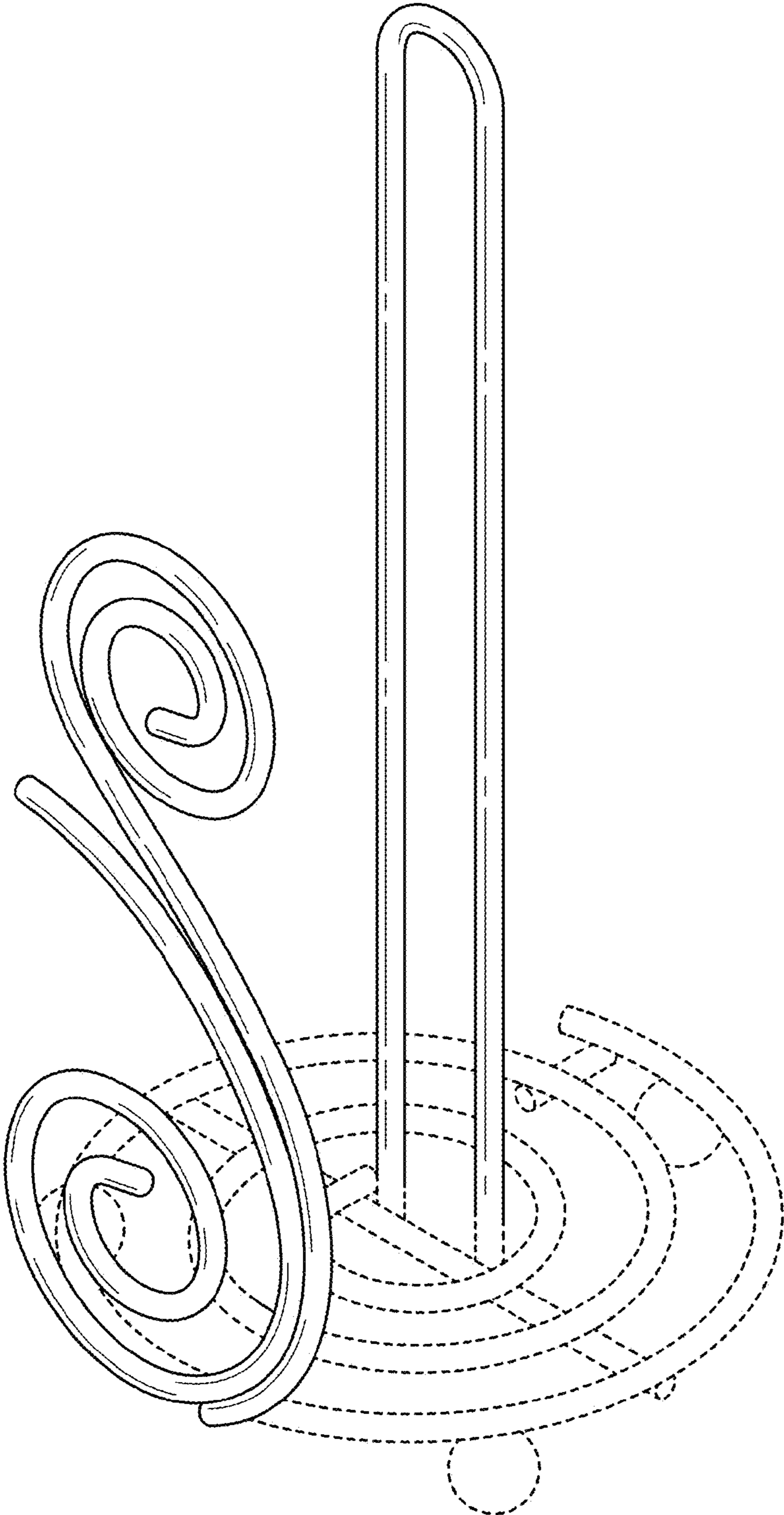


FIG. 1

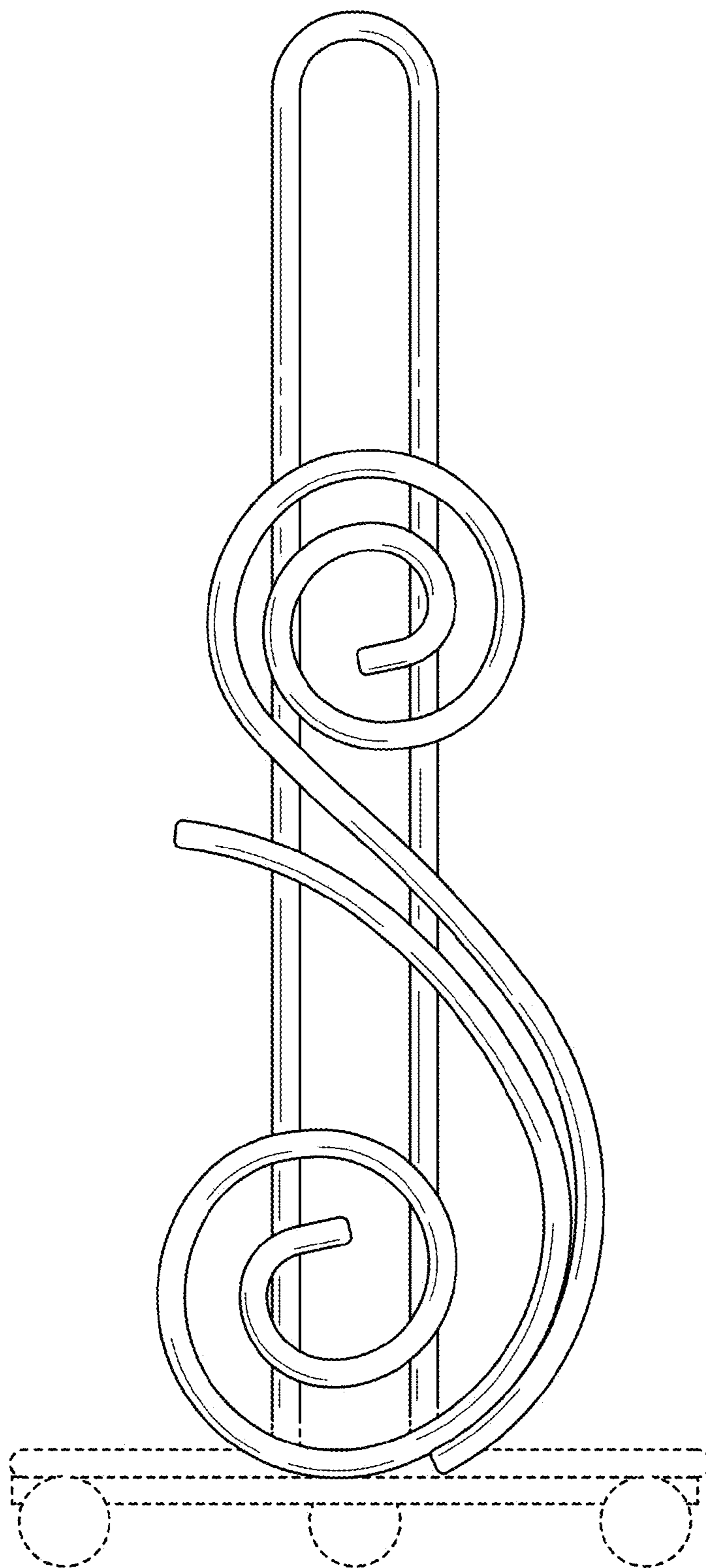


FIG. 2

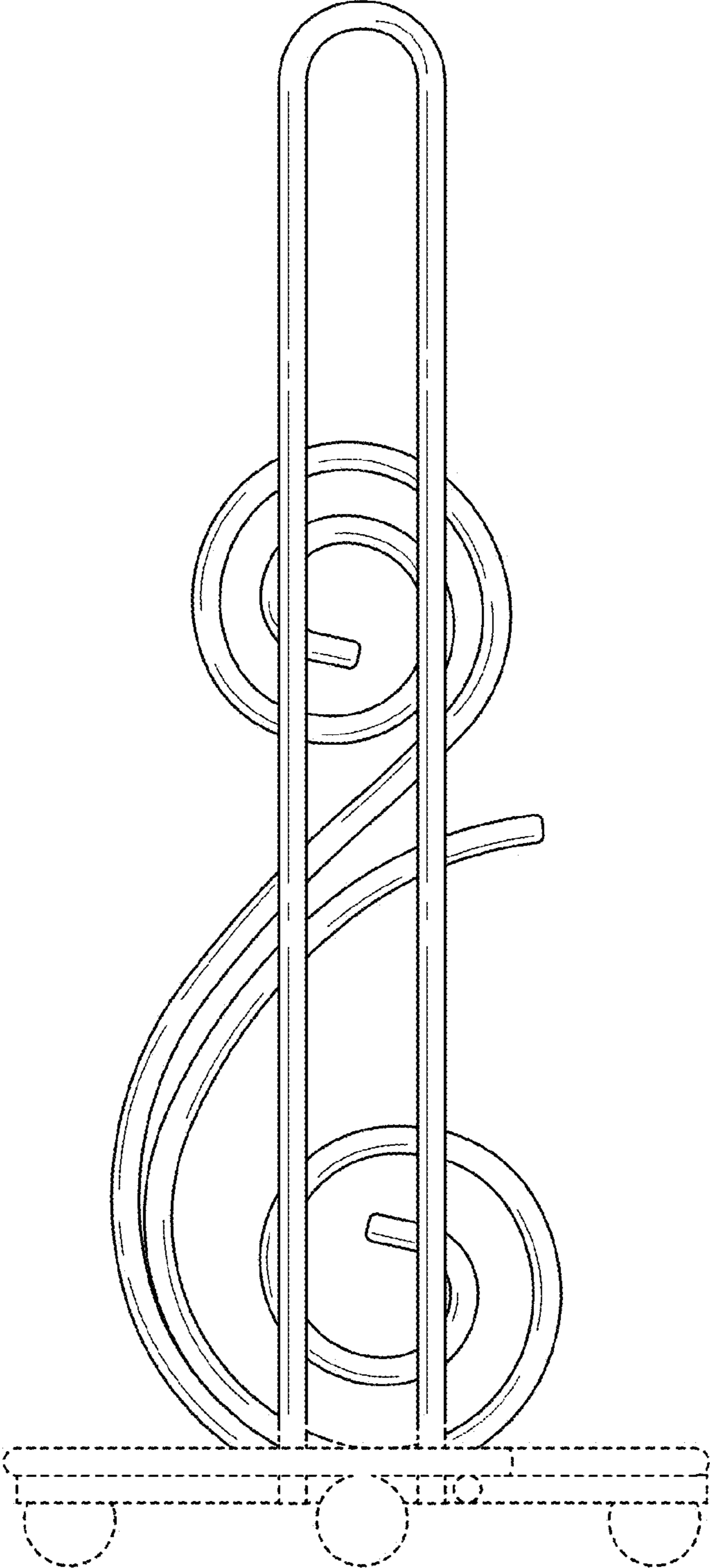


FIG. 3

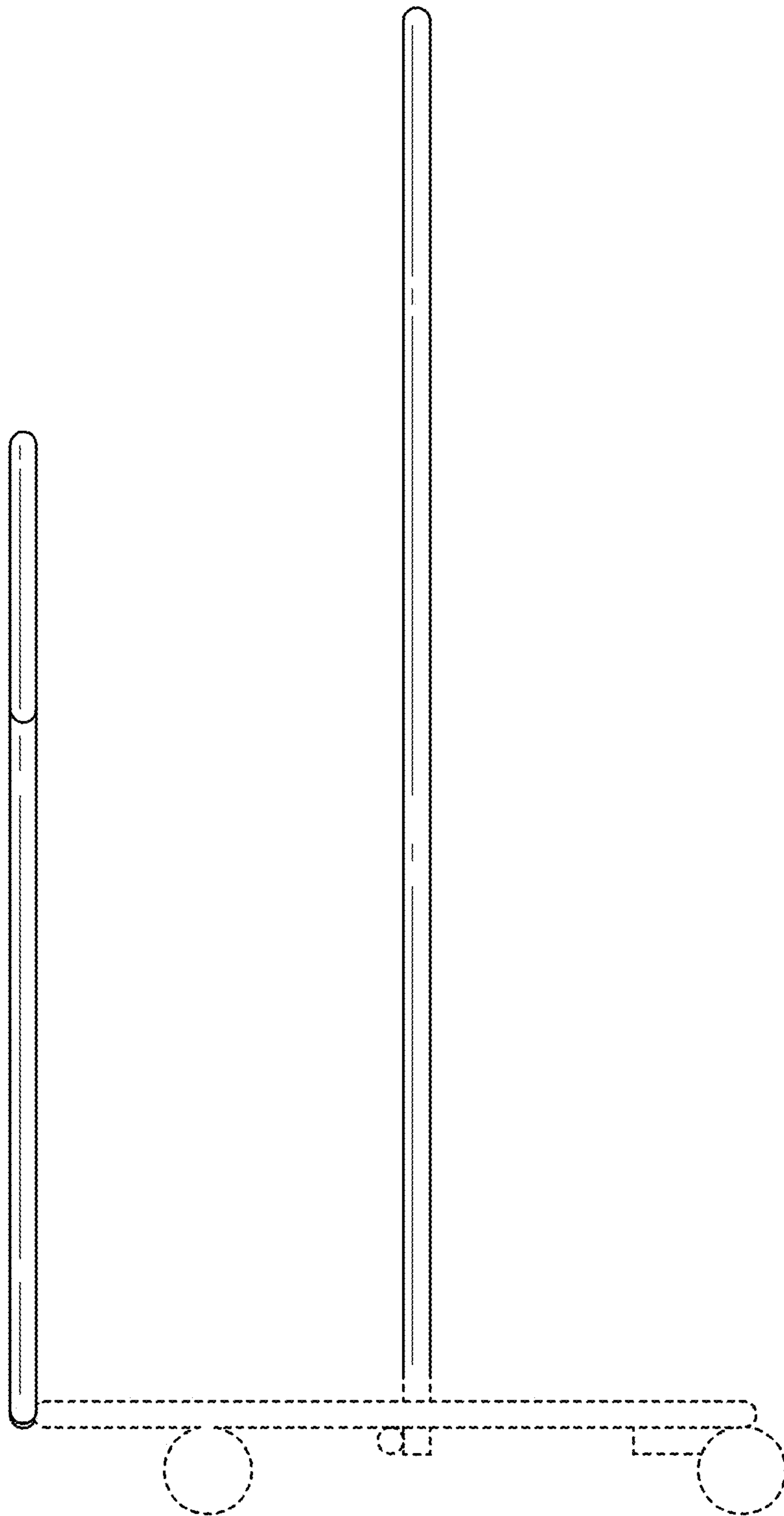


FIG. 4

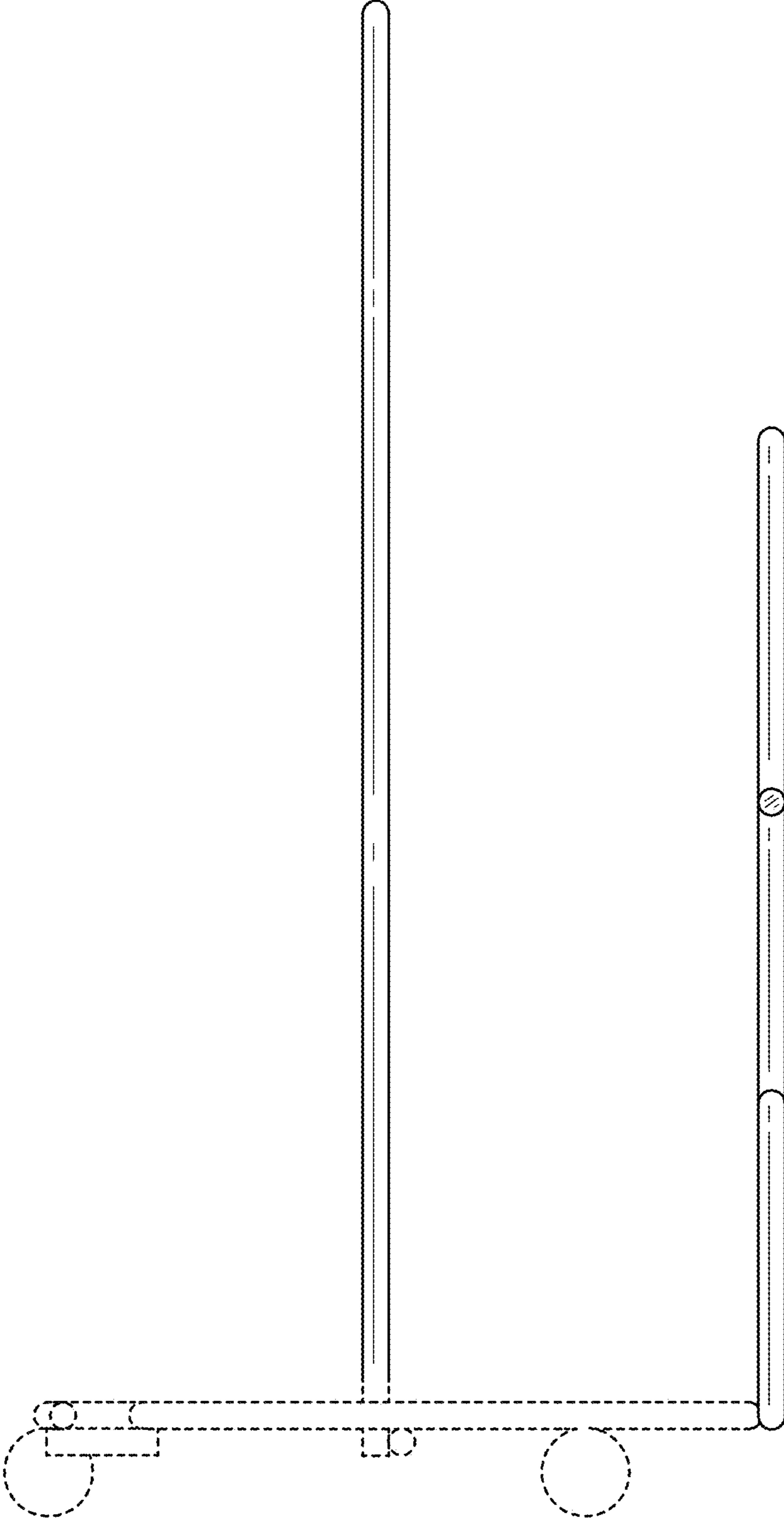


FIG. 5

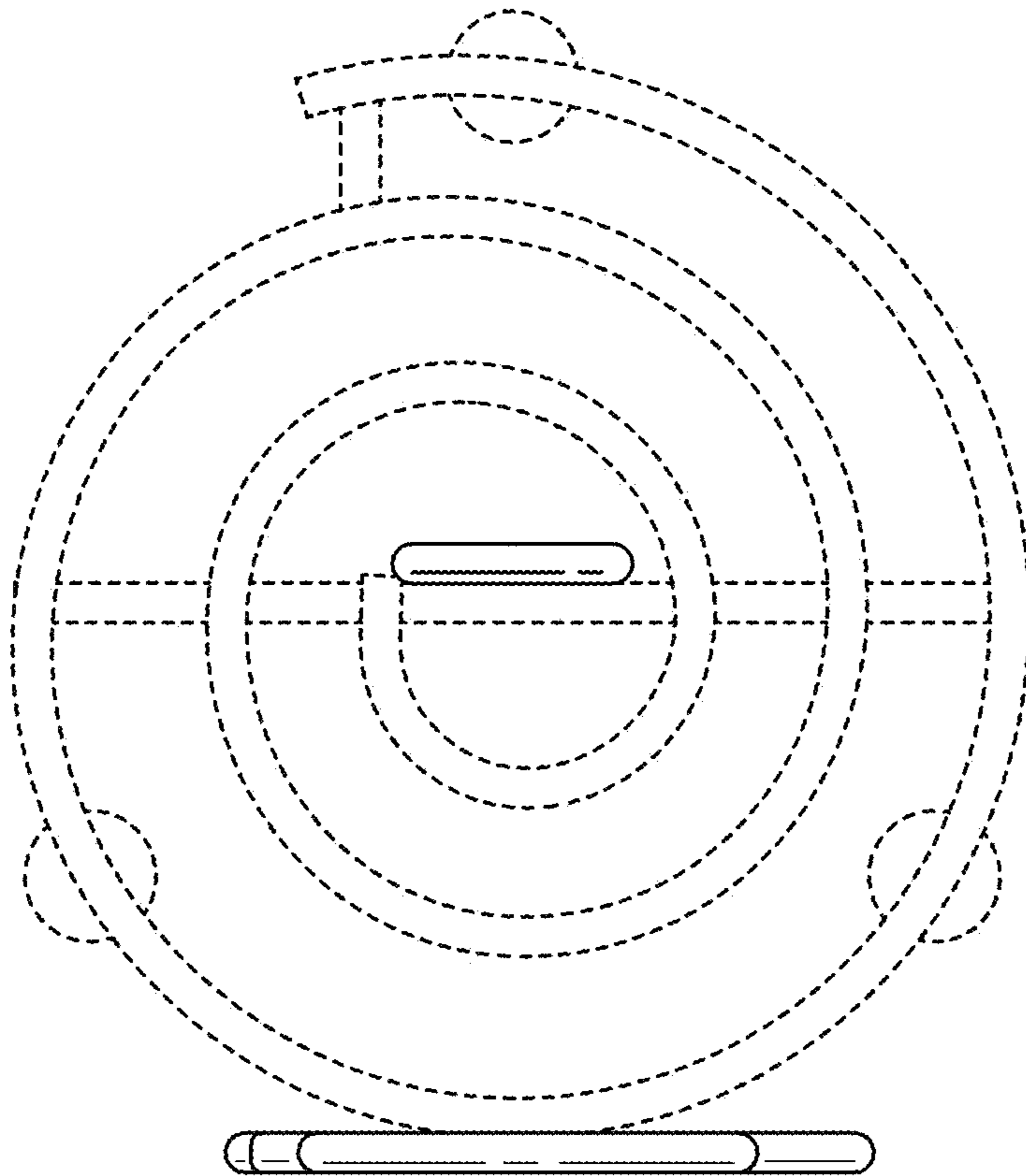


FIG. 6

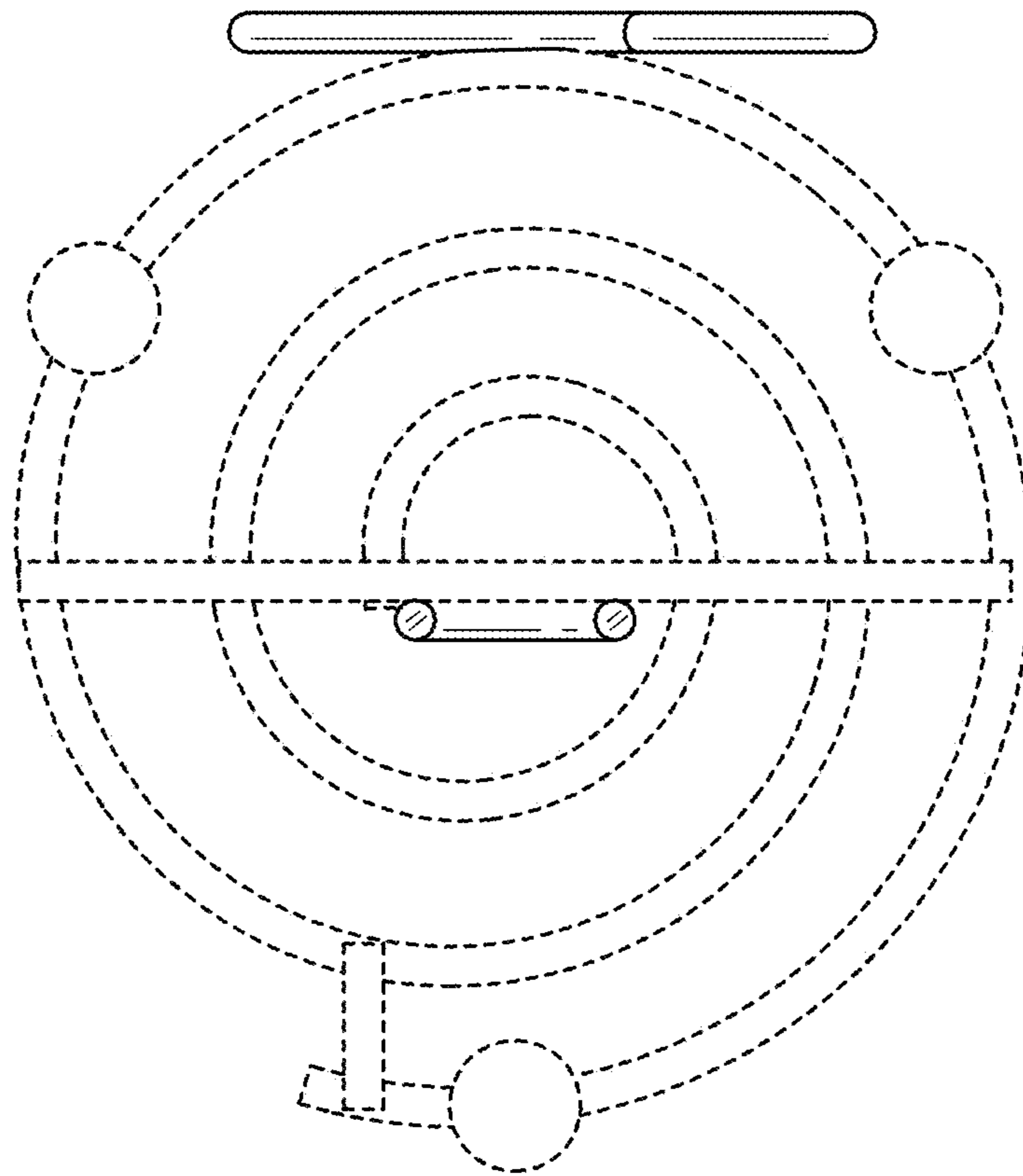


FIG. 7