



US00D758755S

(12) **United States Design Patent**
Goodman et al.

(10) **Patent No.:** **US D758,755 S**
(45) **Date of Patent:** **** Jun. 14, 2016**

- (54) **PAPER TOWEL HOLDER**
- (71) Applicant: **Spectrum Diversified Designs, Inc.**,
Streetsboro, OH (US)
- (72) Inventors: **Sheldon H. Goodman**, Solon, OH (US);
Phaysouk Xayoiphonh, Akron, OH
(US); **Jennifer K. Case**, Middelburg
Heights, OH (US)
- (73) Assignee: **Spectrum Diversified Designs, LLC**,
Streetsboro, OH (US)
- (**) Term: **15 Years**
- (21) Appl. No.: **29/533,199**
- (22) Filed: **Jul. 15, 2015**
- (51) **LOC (10) Cl.** **20-02**
- (52) **U.S. Cl.**
USPC **D6/521**
- (58) **Field of Classification Search**
USPC D6/518-523; 206/389, 391; 211/13.1,
211/59.1, 45, 89.01, 16, 85.5, 86.01, 87.01,
211/88.04, 100, 105.1, 105.2, 106, 113,
211/123, 181.1, 182-183; 242/570, 590,
242/597.7, 390.1, 390.2; D25/45; D8/300,
D8/370, 315; 108/28-29; 248/49, 175,
248/176.1, 200, 201, 205.1, 251, 302,
248/309.1, 315
CPC A47K 10/3836; A47K 2010/3863;
B26F 3/02; Y10T 225/282
See application file for complete search history.

- (56) **References Cited**
U.S. PATENT DOCUMENTS
1,699,935 A * 1/1929 Warnes A47J 29/06
211/181.1
D390,054 S * 2/1998 Goodman D6/521
D395,567 S * 6/1998 Hollinger D6/521
D405,304 S * 2/1999 Goodman D6/521
D412,803 S * 8/1999 Goodman D6/521

- D438,737 S * 3/2001 Goodman D6/522
- D474,361 S * 5/2003 Ancona D6/521
- D474,633 S * 5/2003 Ancona D6/521
- D474,634 S * 5/2003 Ancona D6/521
- D474,635 S * 5/2003 Ancona D6/521
- D576,825 S * 9/2008 Goodman D6/521
- D582,709 S * 12/2008 Goodman D6/521
- D628,836 S * 12/2010 Guindi D6/521
- D628,837 S * 12/2010 Goodman D6/521
- D628,838 S * 12/2010 Goodman D6/521
- D631,271 S * 1/2011 Goodman D6/521
- D653,889 S * 2/2012 Guindi D6/521
- D660,629 S * 5/2012 Goodman D6/521
- D667,662 S * 9/2012 Goodman D6/521
- D667,663 S * 9/2012 Goodman D6/521
- D698,571 S * 2/2014 Tawil D6/520
- D699,046 S * 2/2014 Goodman D6/521
- D711,664 S * 8/2014 Goodman D6/521
- D716,070 S * 10/2014 Goodman D6/521
- D717,564 S * 11/2014 Goodman D6/521
- D723,832 S * 3/2015 Goodman D6/521

* cited by examiner

Primary Examiner — David Muller

Assistant Examiner — Nathan Johnston

(74) *Attorney, Agent, or Firm* — Benesch Friedlander
Coplan & Aronoff, LLP

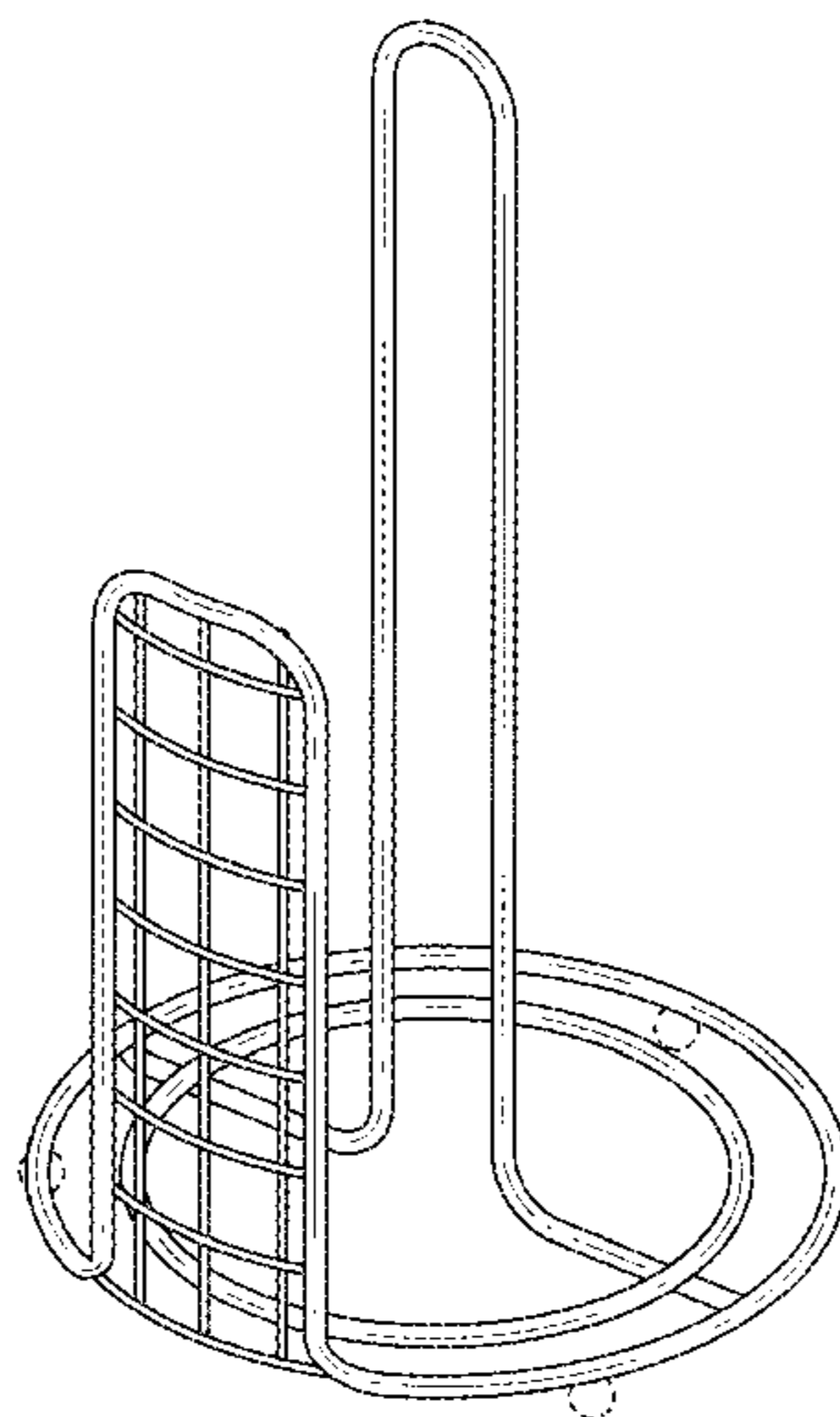
(57) **CLAIM**

What is claimed is the ornamental design for a paper towel holder, as shown and described.

DESCRIPTION

FIG. 1 is a perspective view of a paper towel holder showing our new design;
 FIG. 2 is a front elevation view thereof;
 FIG. 3 is a rear elevation view thereof;
 FIG. 4 is a side elevation view thereof;
 FIG. 5 is a top plan view thereof; and,
 FIG. 6 is a bottom plan view thereof.
 The components of the display shown in broken lines illustrate portions of the paper towel holder that form no part of the claimed design.

1 Claim, 4 Drawing Sheets



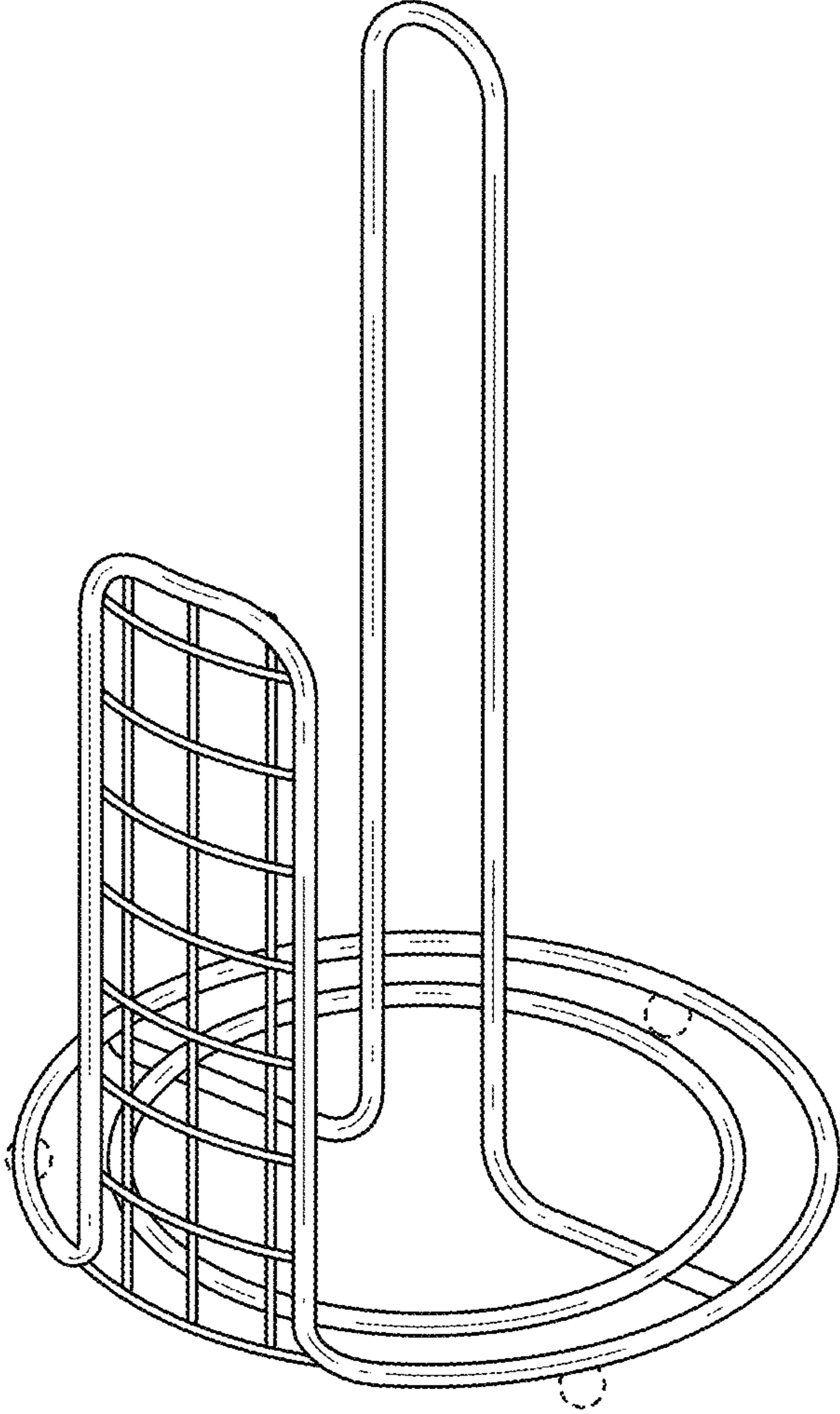


FIG. 1

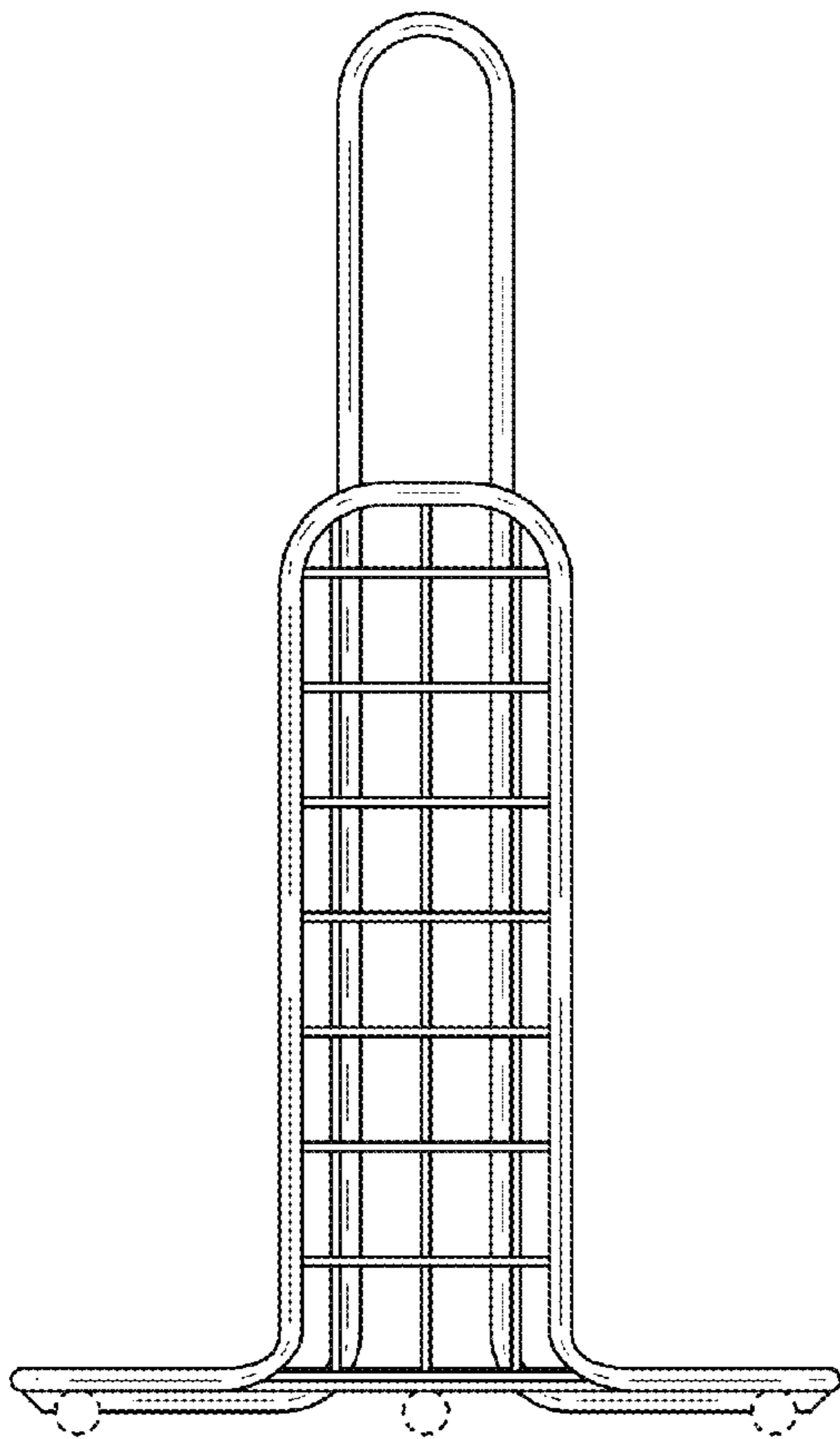


FIG. 2

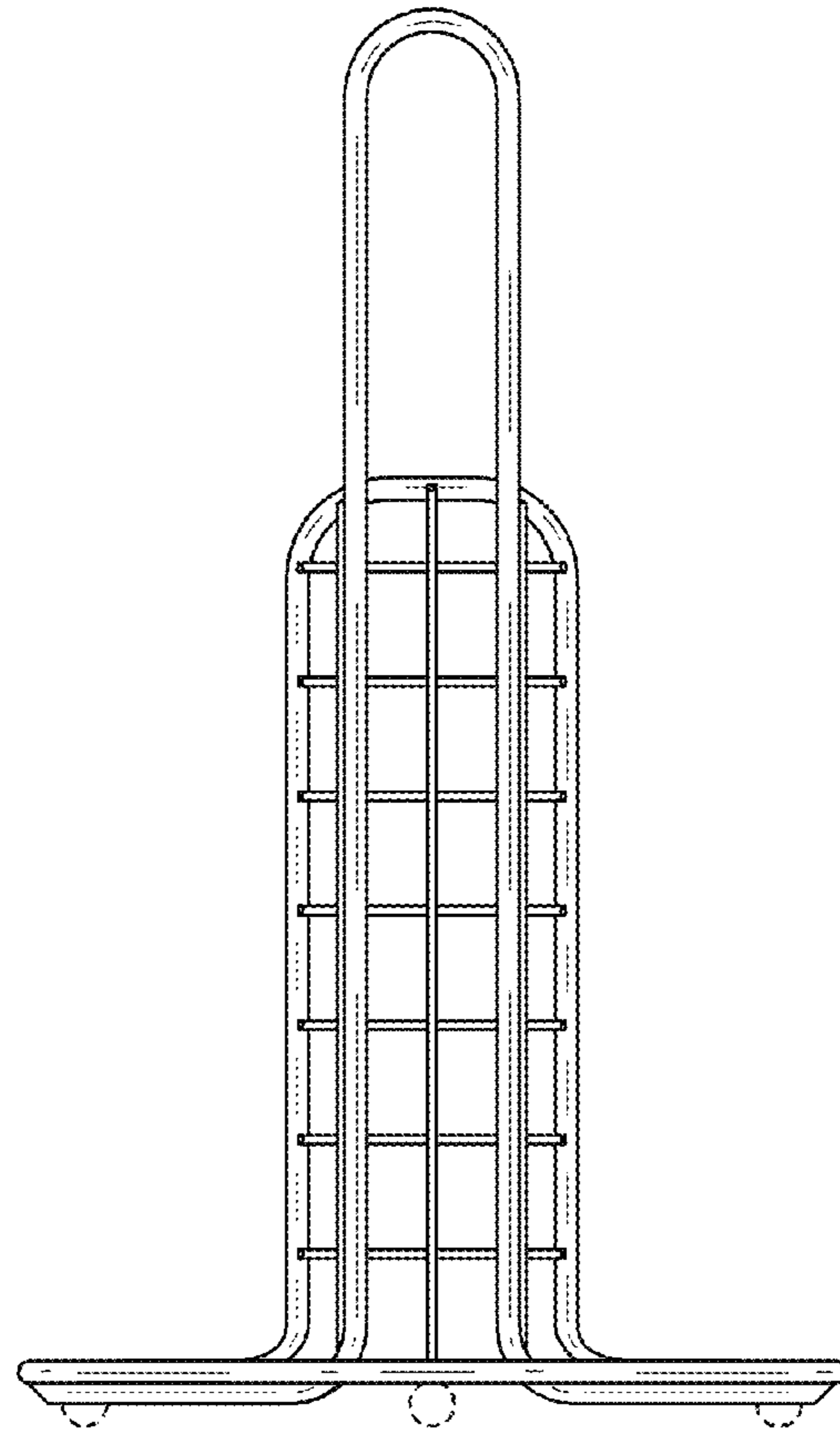


FIG. 3

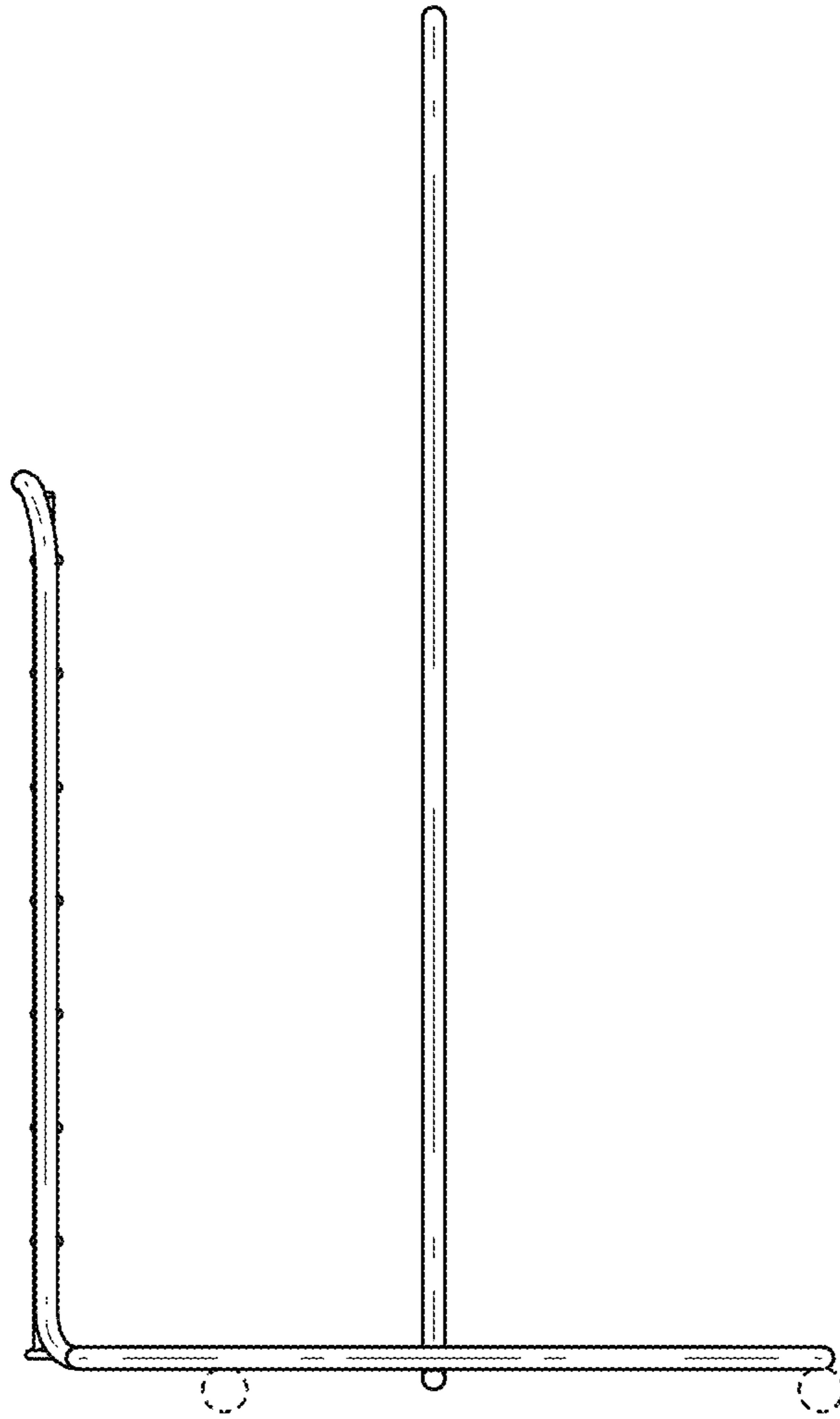


FIG. 4

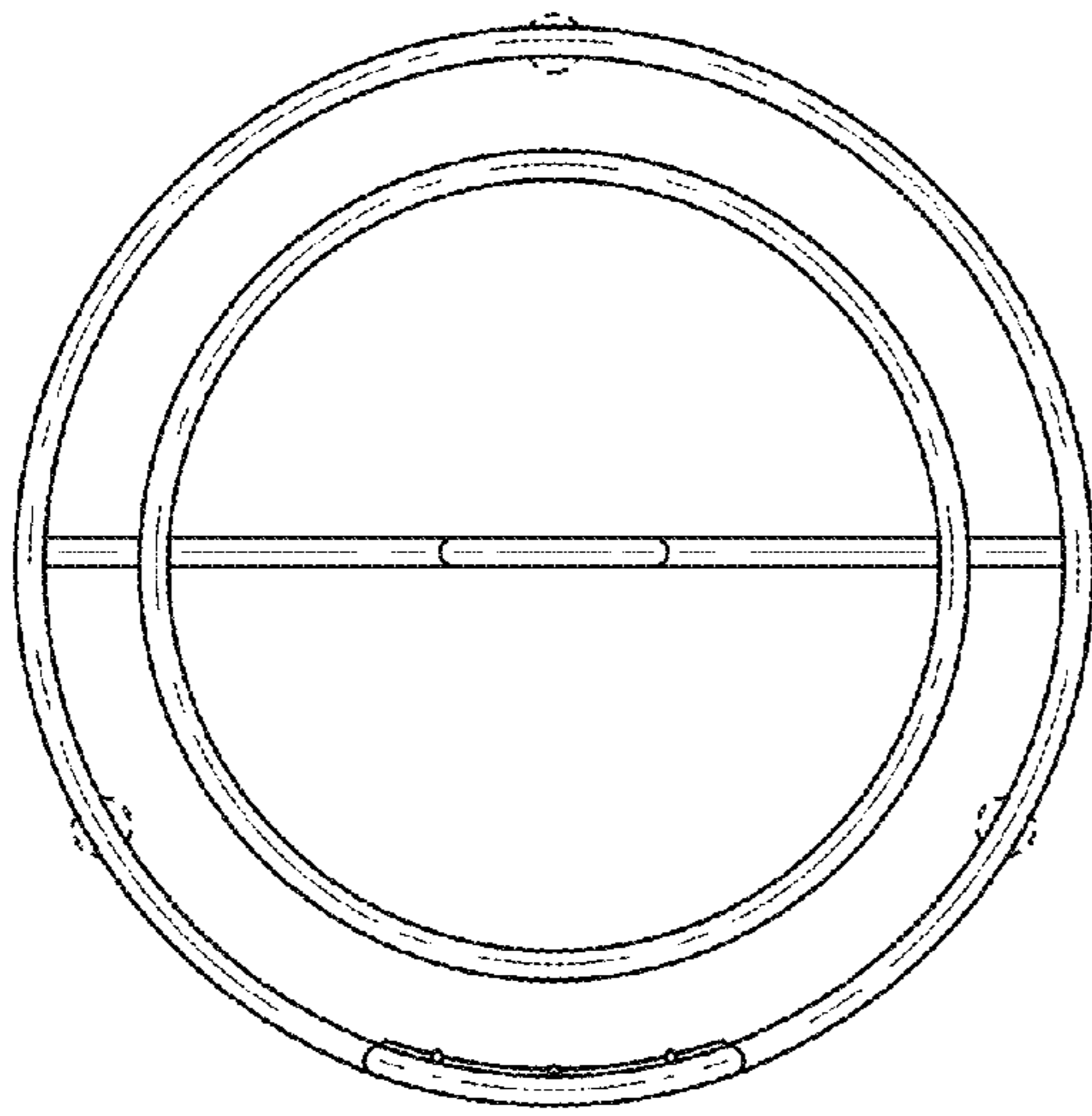


FIG. 5

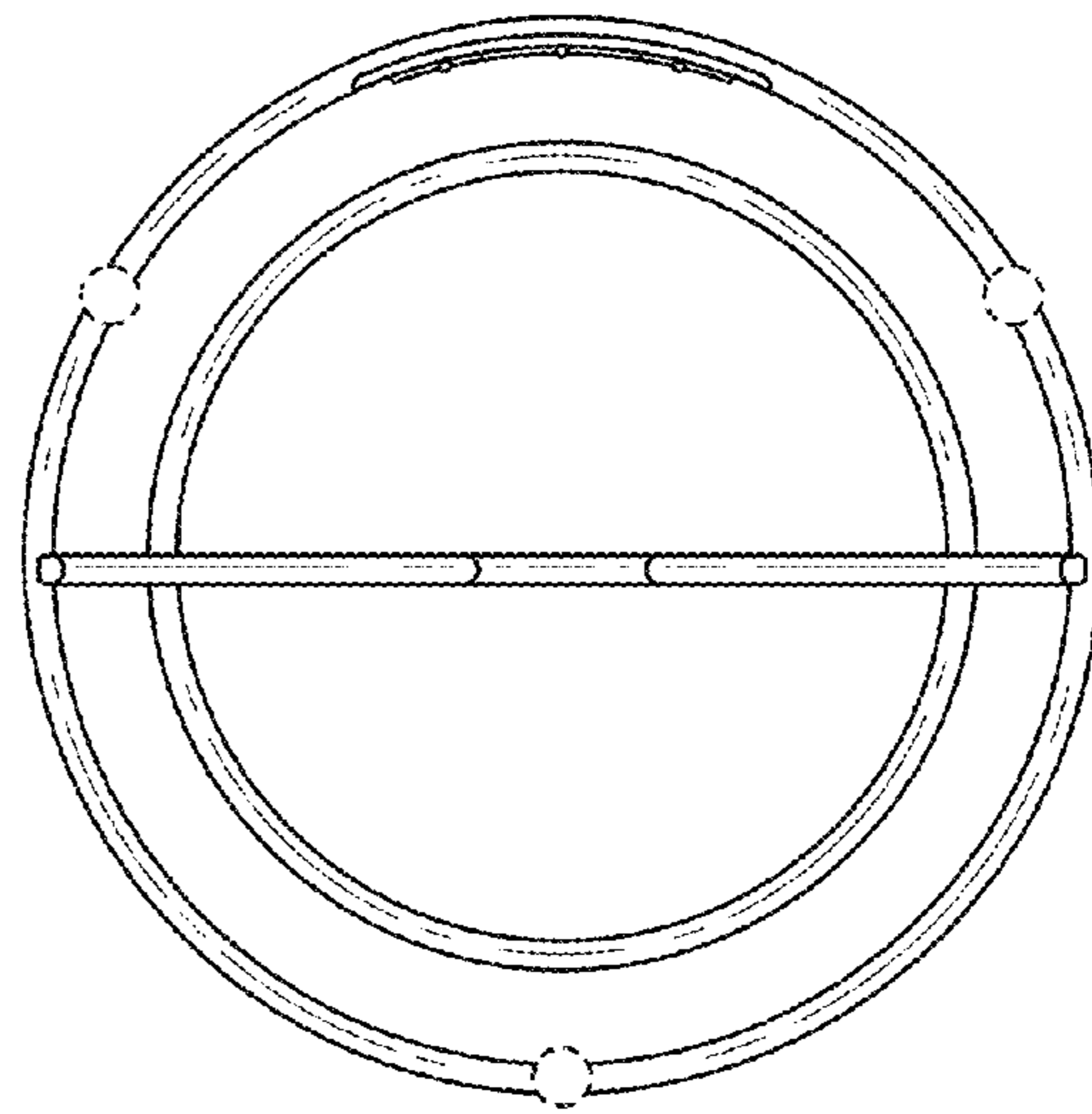


FIG. 6