



US00D758754S

(12) **United States Design Patent**  
**Appleby**

(10) **Patent No.:** **US D758,754 S**

(45) **Date of Patent:** **\*\* Jun. 14, 2016**

(54) **DOOR RACK ORGANIZER**

(71) Applicant: **Jason J. Appleby**, Sherwood Park (CA)

(72) Inventor: **Jason J. Appleby**, Sherwood Park (CA)

(\*\*) Term: **14 Years**

(21) Appl. No.: **29/509,205**

(22) Filed: **Nov. 14, 2014**

(51) **LOC (10) Cl.** ..... **06-02**

(52) **U.S. Cl.**  
USPC ..... **D6/514**

(58) **Field of Classification Search**  
USPC ..... D6/512, 513, 514, 524, 525, 553, 567,  
D6/569, 315, 317, 318  
CPC ..... A47F 7/02; A47F 5/0006; A47F 5/08;  
A47F 5/0892; A47F 1/04; A47F 5/01; A47F  
1/126; A47F 5/0807; A47F 5/0823; A47F  
1/125; A47F 1/128; A47F 3/0486; A47F  
5/0018; A47F 5/0056; A47F 5/02; A47F  
5/0861; A47F 7/024; A61K 2300/00; A61K  
31/047; A61K 31/16; A61K 31/167; A61K  
31/235; A61K 31/245; A61K 31/445; A61K  
31/455; A61K 36/61; A61K 36/63; A61K  
36/81; A61K 36/906; A61K 2800/88; A61K  
31/00; A61K 31/155; A61K 31/165

See application file for complete search history.

(56) **References Cited**

U.S. PATENT DOCUMENTS

1,189,677 A	7/1916	Farlese	
2,270,796 A	1/1942	Hauser	
2,508,527 A	5/1950	Martin et al.	
2,925,916 A	2/1960	Pollock	
2,959,297 A	11/1960	Larson	
2,972,419 A	2/1961	Zelen et al.	
4,846,430 A	7/1989	Ke	
6,223,914 B1	5/2001	Snell	
D580,661 S *	11/2008	Belokin	D6/315
D666,859 S *	9/2012	Goodman	D6/566
D667,250 S *	9/2012	Goodman	D6/566
D680,291 S *	4/2013	Shepherd	248/117.1

\* cited by examiner

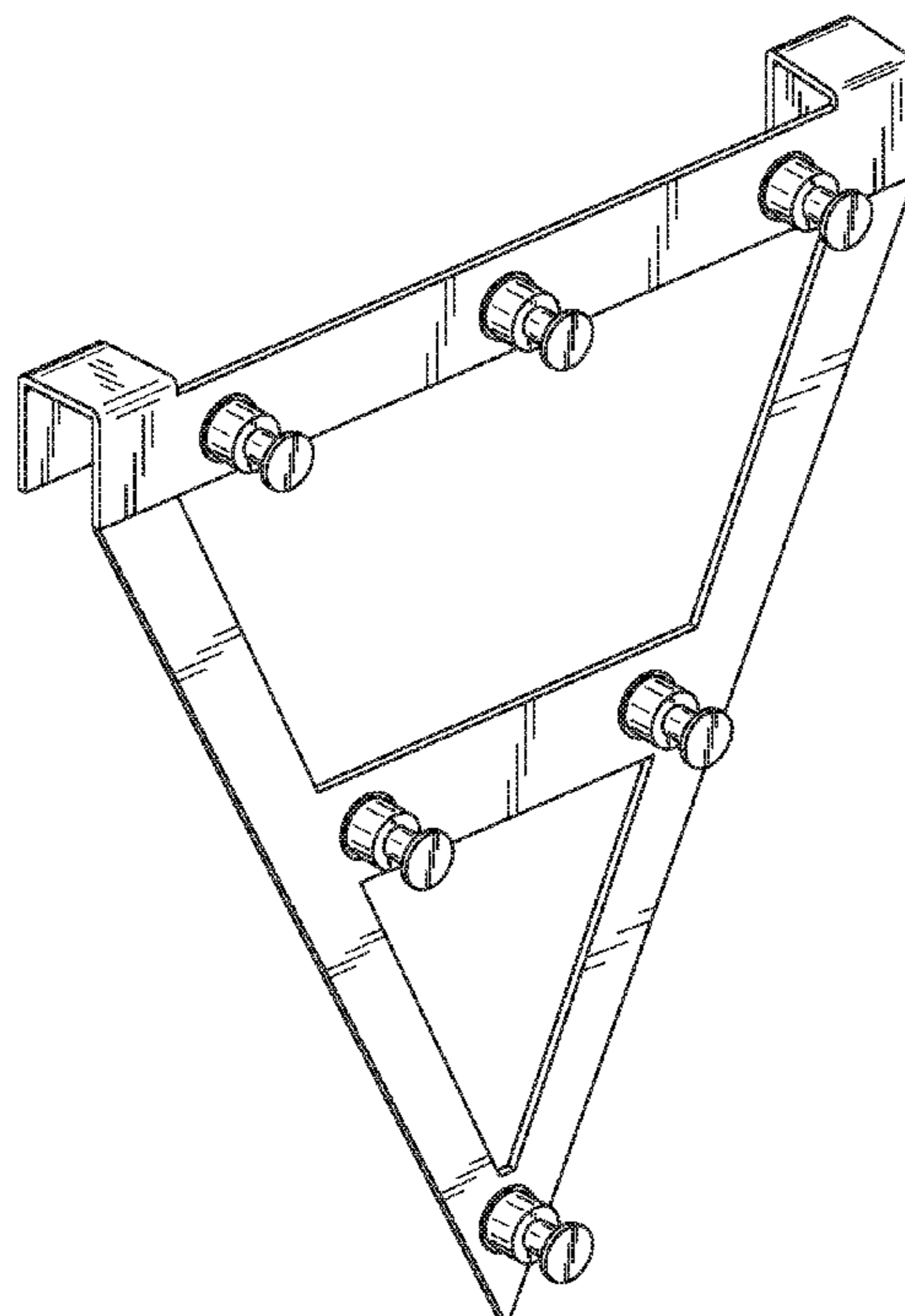
*Primary Examiner* — Daniel Bui  
*Assistant Examiner* — Khawaja Anwar  
(74) *Attorney, Agent, or Firm* — Robert C. Montgomery;  
Montgomery Patent & Design LP.

(57) **CLAIM**  
The ornamental design for a door rack organizer, as shown  
and described.

**DESCRIPTION**

FIG. 1 is a perspective view of a door rack organizer showing  
my new design;  
FIG. 2 is a front view thereof;  
FIG. 3 is a rear view thereof;  
FIG. 4 is a right-hand side view thereof, wherein the left-hand  
side view is a mirror image of the right-hand side view;  
FIG. 5 is a top view thereof; and,  
FIG. 6 is a bottom view thereof.

**1 Claim, 6 Drawing Sheets**



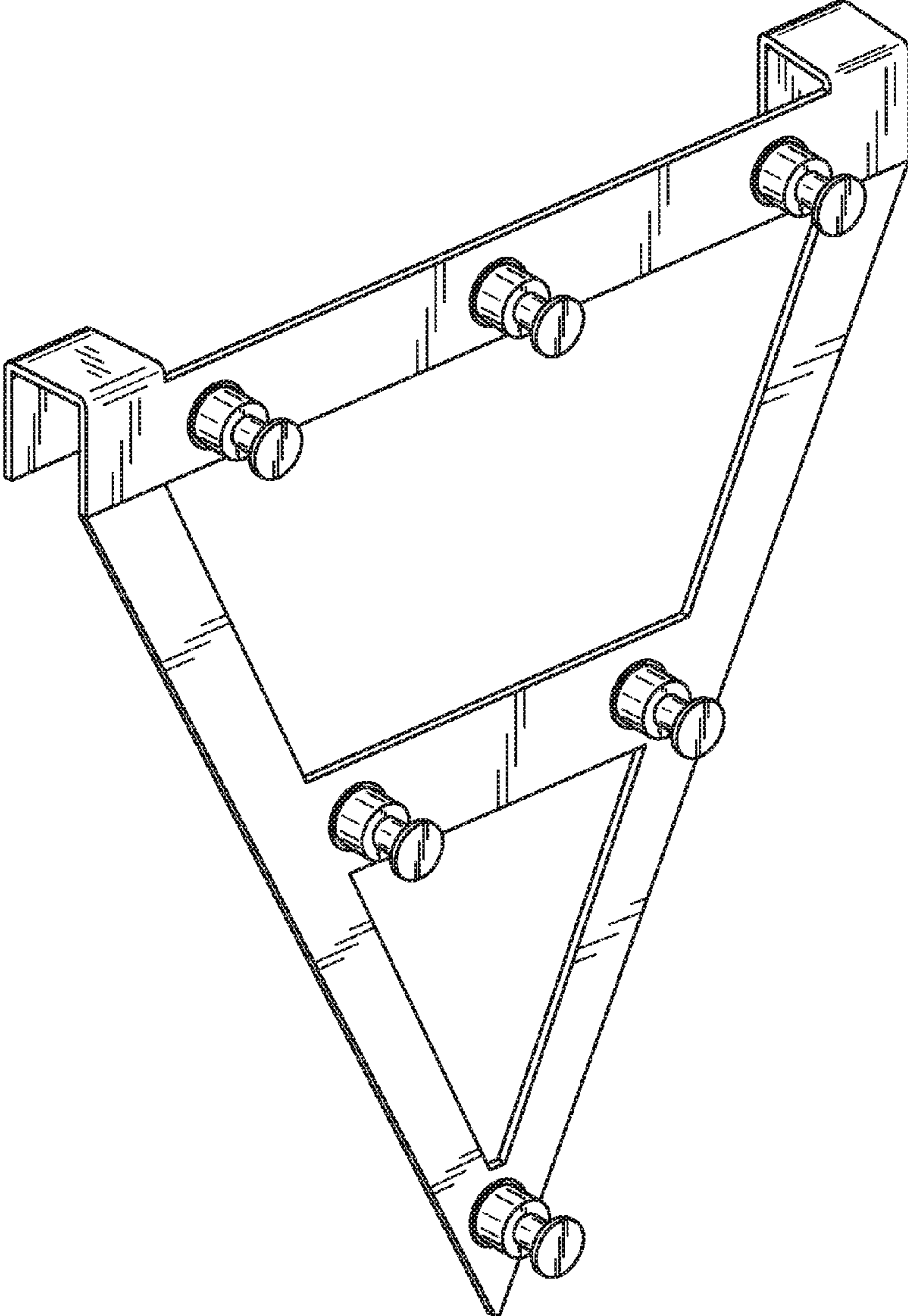


Fig. 1

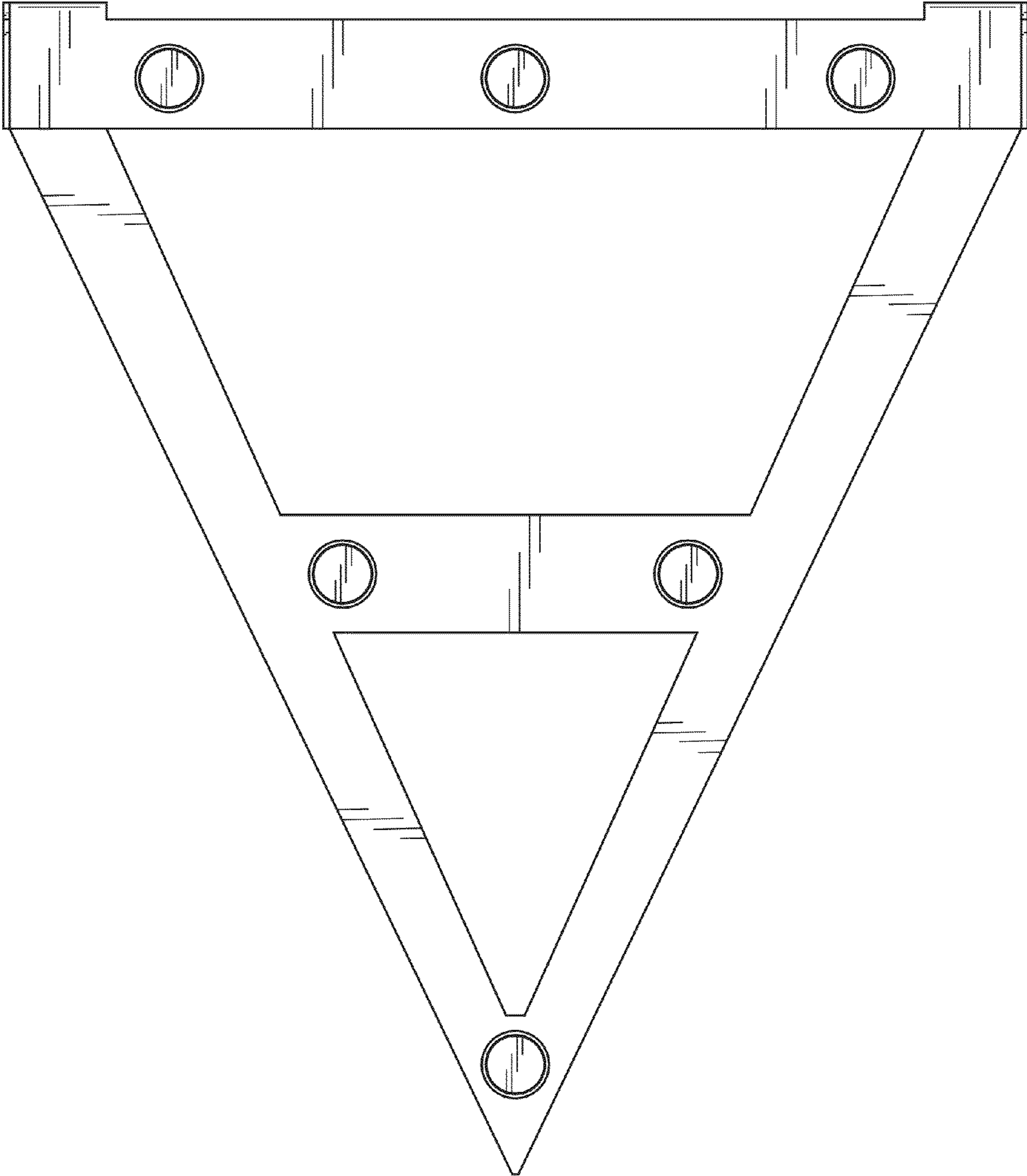


Fig. 2

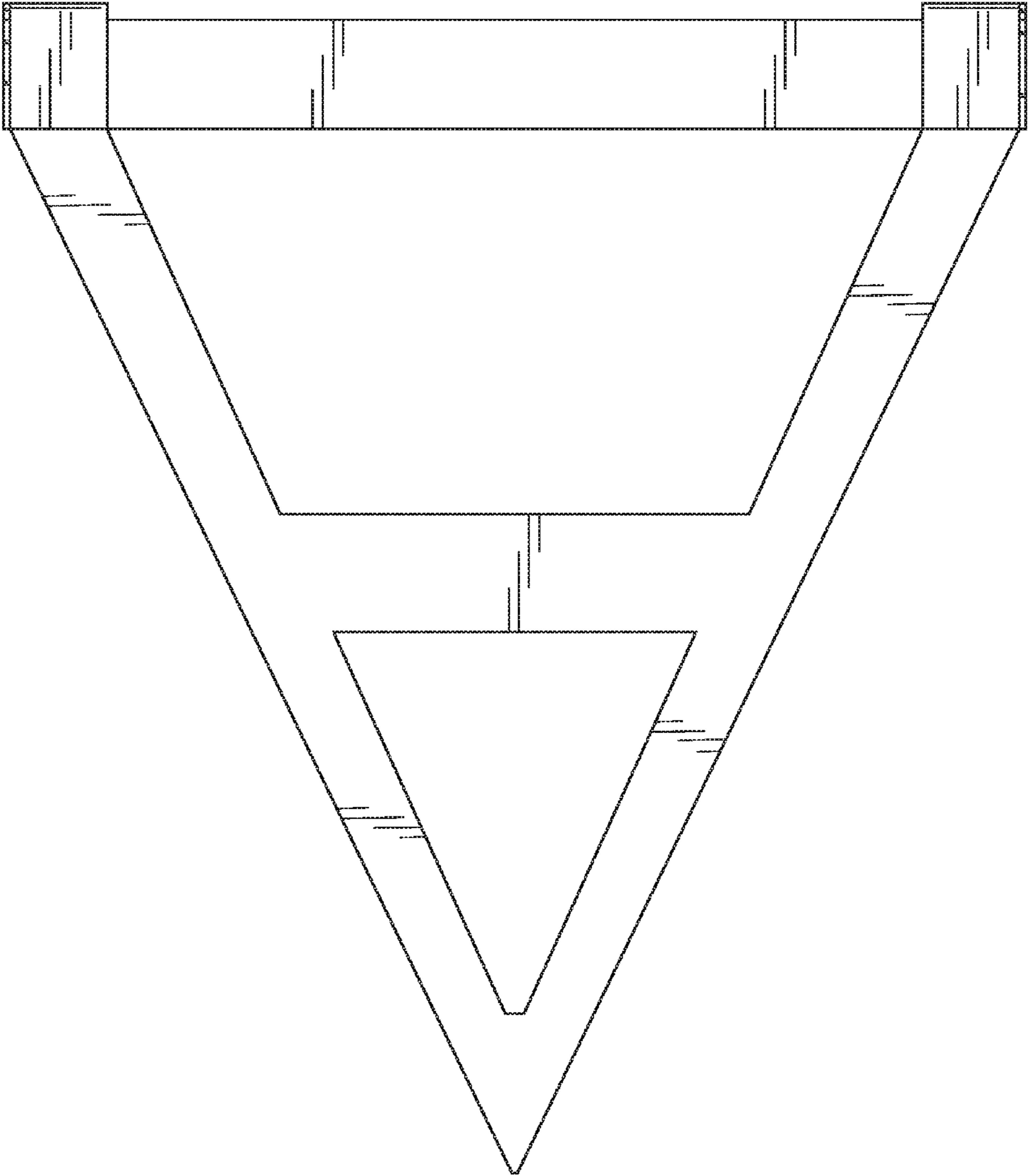


Fig. 3

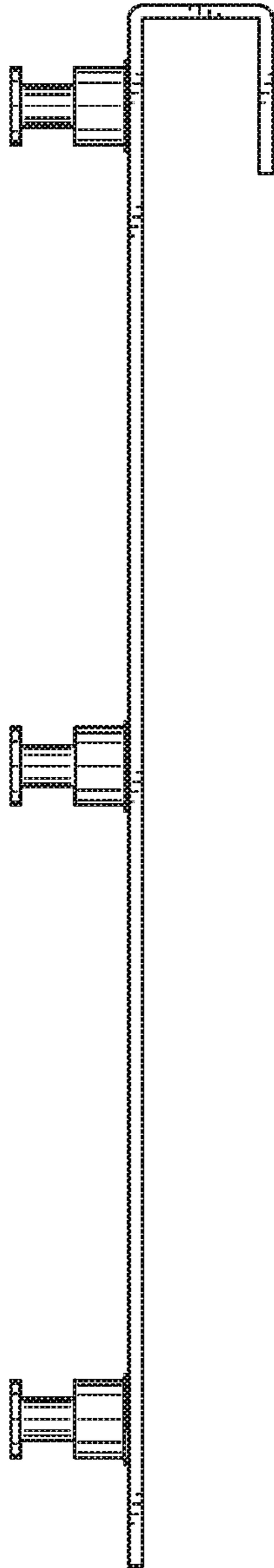


Fig. 4

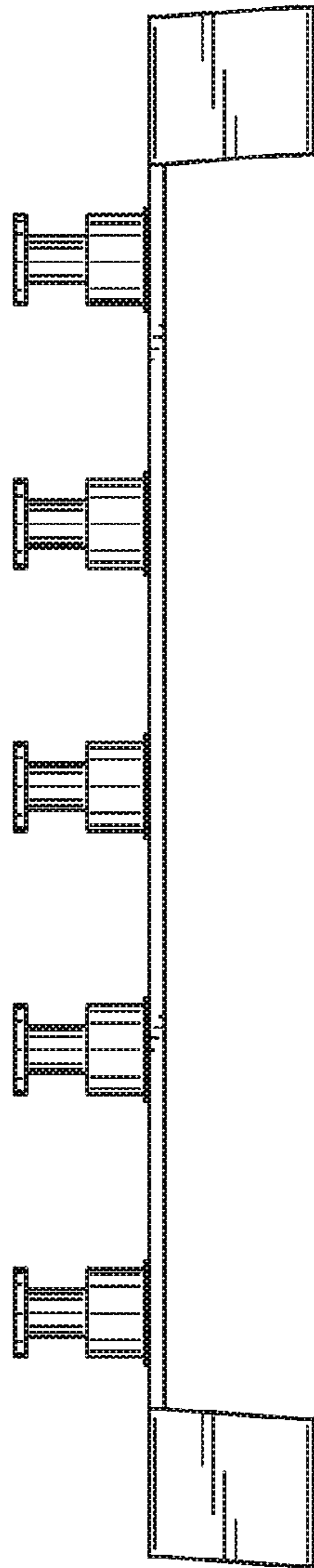


Fig. 5

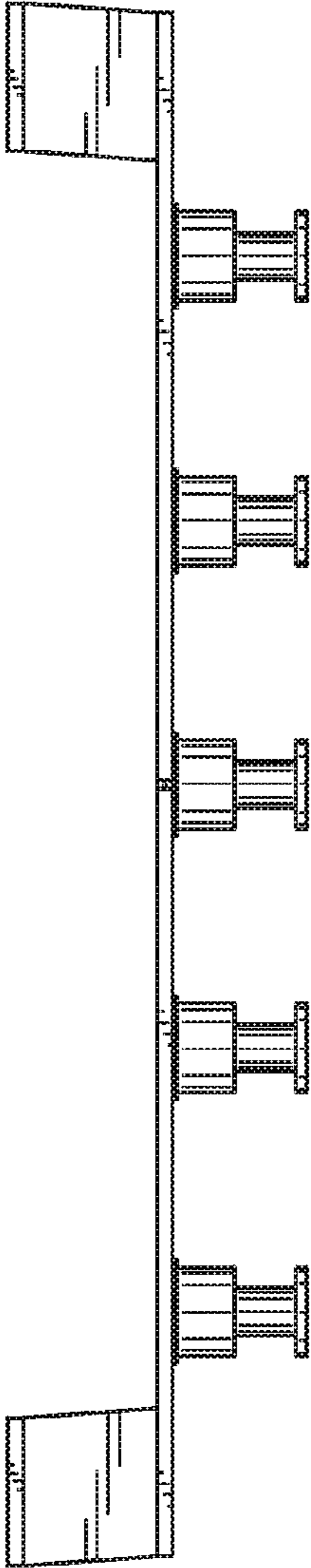


Fig. 6