



US00D758753S

(12) **United States Design Patent**  
**Lagier**

(10) **Patent No.:** **US D758,753 S**  
(45) **Date of Patent:** **\*\* \*Jun. 14, 2016**

(54) **INFLATABLE SOFA**  
(71) Applicant: **Pigro Felice Ltd.**, Hong Kong (CN)  
(72) Inventor: **Julien Lagier**, Beirut (LB)  
(73) Assignee: **Pigro Felice Lts.**, Hong Kong (CN)  
(\* ) Notice: This patent is subject to a terminal disclaimer.  
(\*\*) Term: **14 Years**

D373,256 S \* 9/1996 Lewis ..... D6/381  
5,560,056 A 10/1996 Tai  
5,566,409 A 10/1996 Klearman  
D376,274 S \* 12/1996 Lewis ..... D6/381  
6,042,186 A 3/2000 Kojic et al.  
D434,243 S 11/2000 Casto et al.  
6,224,444 B1 5/2001 Kilmenko  
7,104,864 B1 9/2006 Liou  
7,131,701 B1 11/2006 Yang  
7,231,681 B2 6/2007 Kasatshko et al.  
D551,484 S \* 9/2007 Kasatshko et al. .... D6/604  
7,331,074 B2 2/2008 Wu

(Continued)

(21) Appl. No.: **29/501,853**  
(22) Filed: **Sep. 9, 2014**  
(51) **LOC (10) Cl.** ..... **06-01**  
(52) **U.S. Cl.**  
USPC ..... **D6/381**  
(58) **Field of Classification Search**  
USPC ..... D6/334–338, 349, 355, 361, 368–370,  
D6/376, 379–381, 716, 716.1, 716.2, 340,  
D6/354, 377; 297/16.1, 42, 94, 135, 175,  
297/232, 233, 350, 351, 445.1, 448.1,  
297/448.2, 451.9; 5/12.1, 12.2; D21/809  
See application file for complete search history.

FOREIGN PATENT DOCUMENTS

JP H0397417 A 4/1991

Primary Examiner — Sandra Snapp

(74) *Attorney, Agent, or Firm* — Hoffman Warnick LLC

(57) **CLAIM**

The design for an inflatable sofa, as shown and described.

**DESCRIPTION**

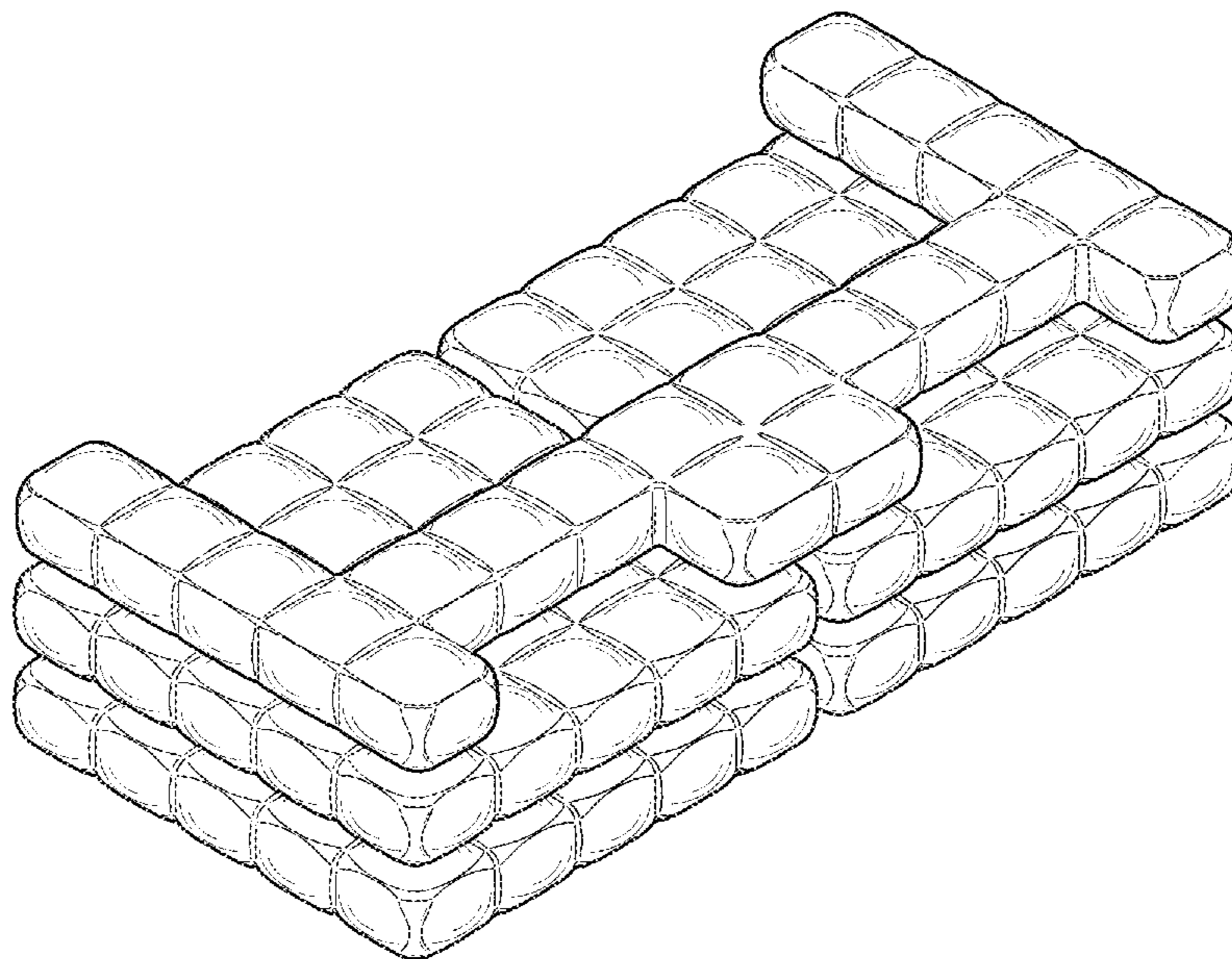
FIG. 1 is a top perspective view of the inflatable sofa;  
FIG. 2 is top view of the inflatable sofa of FIG. 1;  
FIG. 3 is a front view of the inflatable sofa of FIG. 1;  
FIG. 4 is a side view of the inflatable sofa of FIG. 1;  
FIG. 5 is a rear view of the inflatable sofa of FIG. 1;  
FIG. 6 is a top perspective view of the inflatable sofa arranged  
in an alternate configuration;  
FIG. 7 is a top view of the inflatable sofa of FIG. 6;  
FIG. 8 is a front view of the inflatable sofa as shown FIG. 6;  
FIG. 9 is a side view of the inflatable sofa as shown in FIG. 6;  
and,  
FIG. 10 is a rear view of the inflatable sofa as shown in FIG.  
6.

(56) **References Cited**

U.S. PATENT DOCUMENTS

2,023,605 A \* 12/1935 Mandell ..... 5/46.1  
2,623,574 A 12/1952 Damsch  
2,843,181 A 7/1958 Paschen  
3,742,526 A \* 7/1973 Lillard ..... 5/12.1  
3,902,759 A \* 9/1975 Monteforte et al. .... 297/452.16  
4,459,714 A 7/1984 Lin  
4,723,329 A \* 2/1988 Vaccaro ..... 5/710  
4,905,332 A 3/1990 Wang  
D349,145 S \* 7/1994 Haughey ..... D21/809  
D371,252 S 7/1996 Chaput

**1 Claim, 8 Drawing Sheets**



(56)

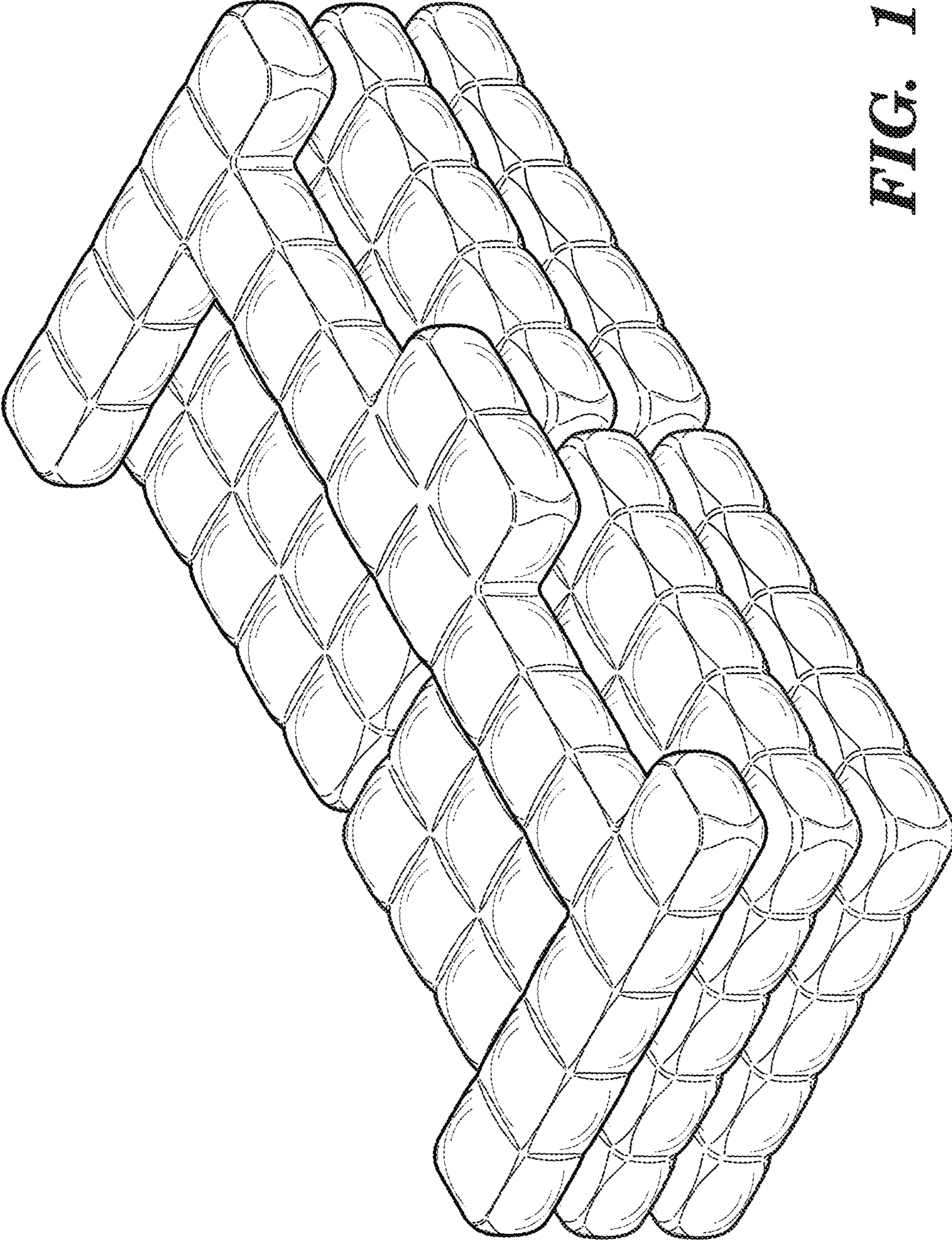
**References Cited**

U.S. PATENT DOCUMENTS

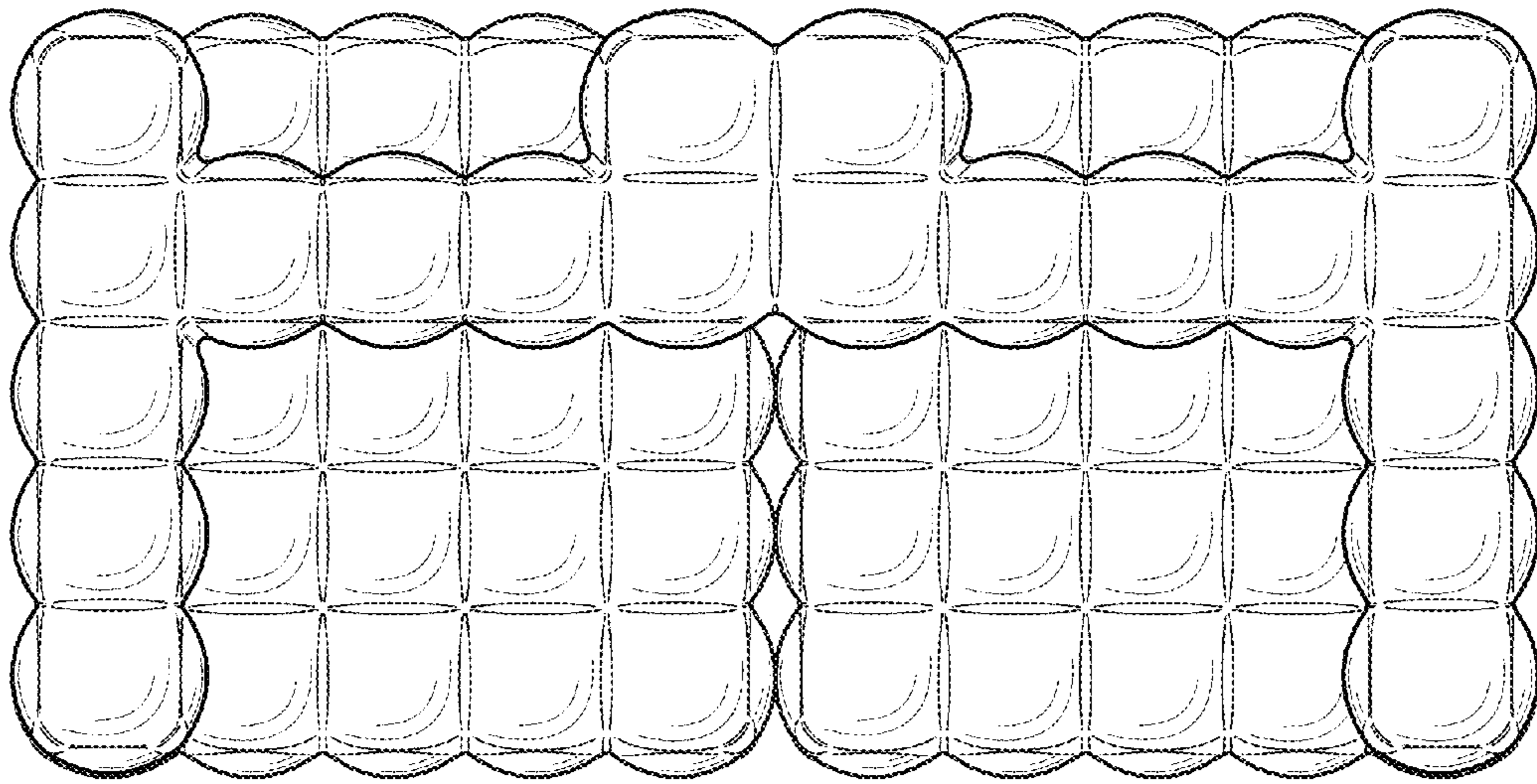
7,360,266 B2 \* 4/2008 Kasatshko ..... 5/722  
7,370,379 B2 5/2008 Zheng  
D617,112 S \* 6/2010 Tsai ..... D6/381  
D655,100 S \* 3/2012 Yeung Ka Fei ..... D6/371

D687,235 S \* 8/2013 Sage et al. .... D6/371  
2002/0000741 A1 \* 1/2002 Clay et al. .... 297/118  
2005/0099054 A1 5/2005 McCarthy et al.  
2006/0163935 A1 7/2006 Harris  
2010/0229960 A1 9/2010 Merker et al.

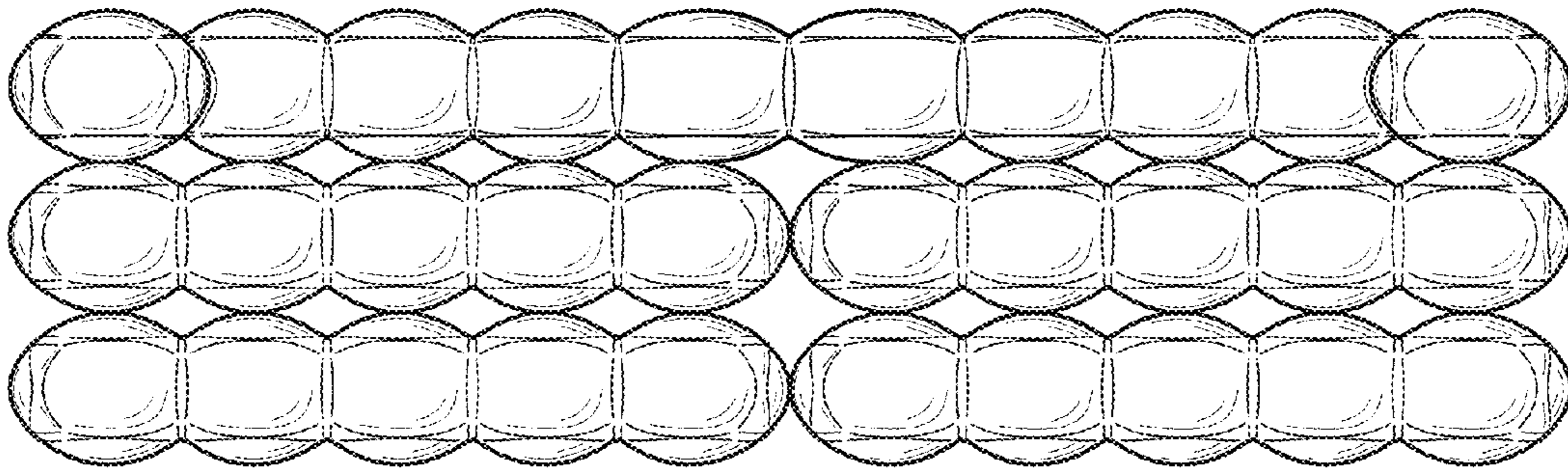
\* cited by examiner



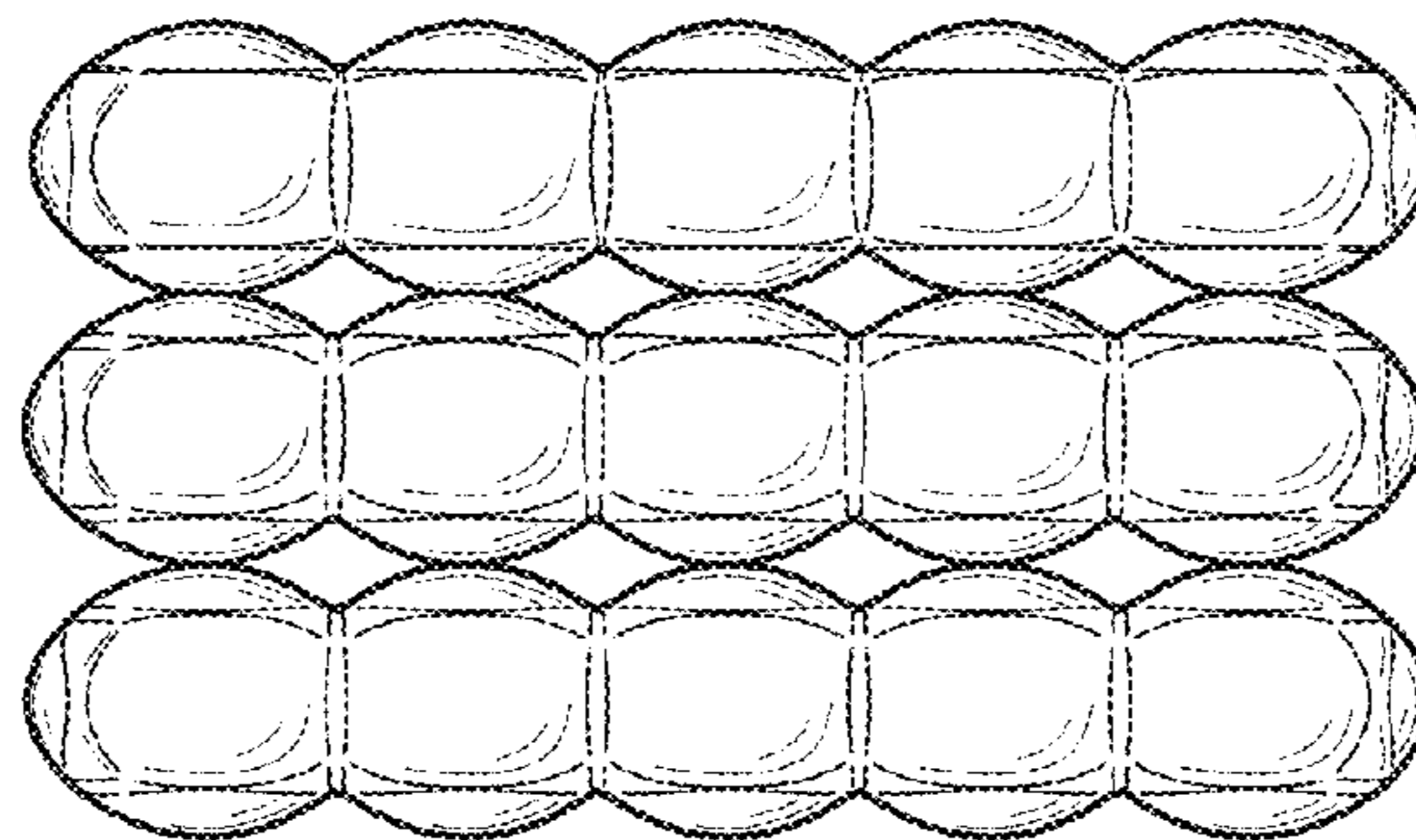
**FIG. 1**



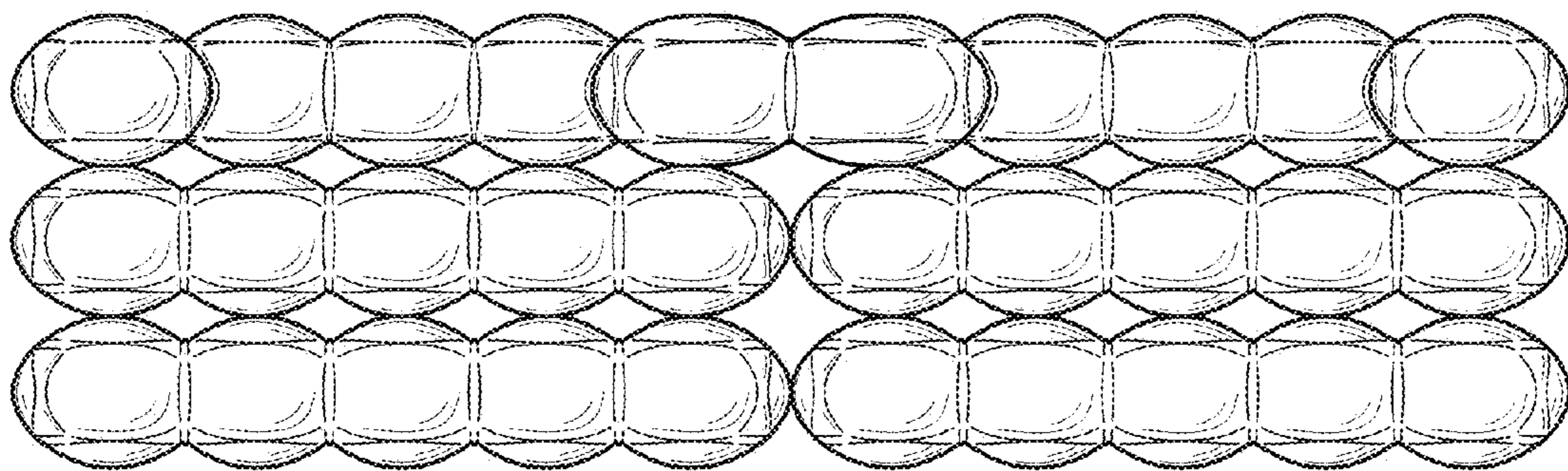
**FIG. 2**



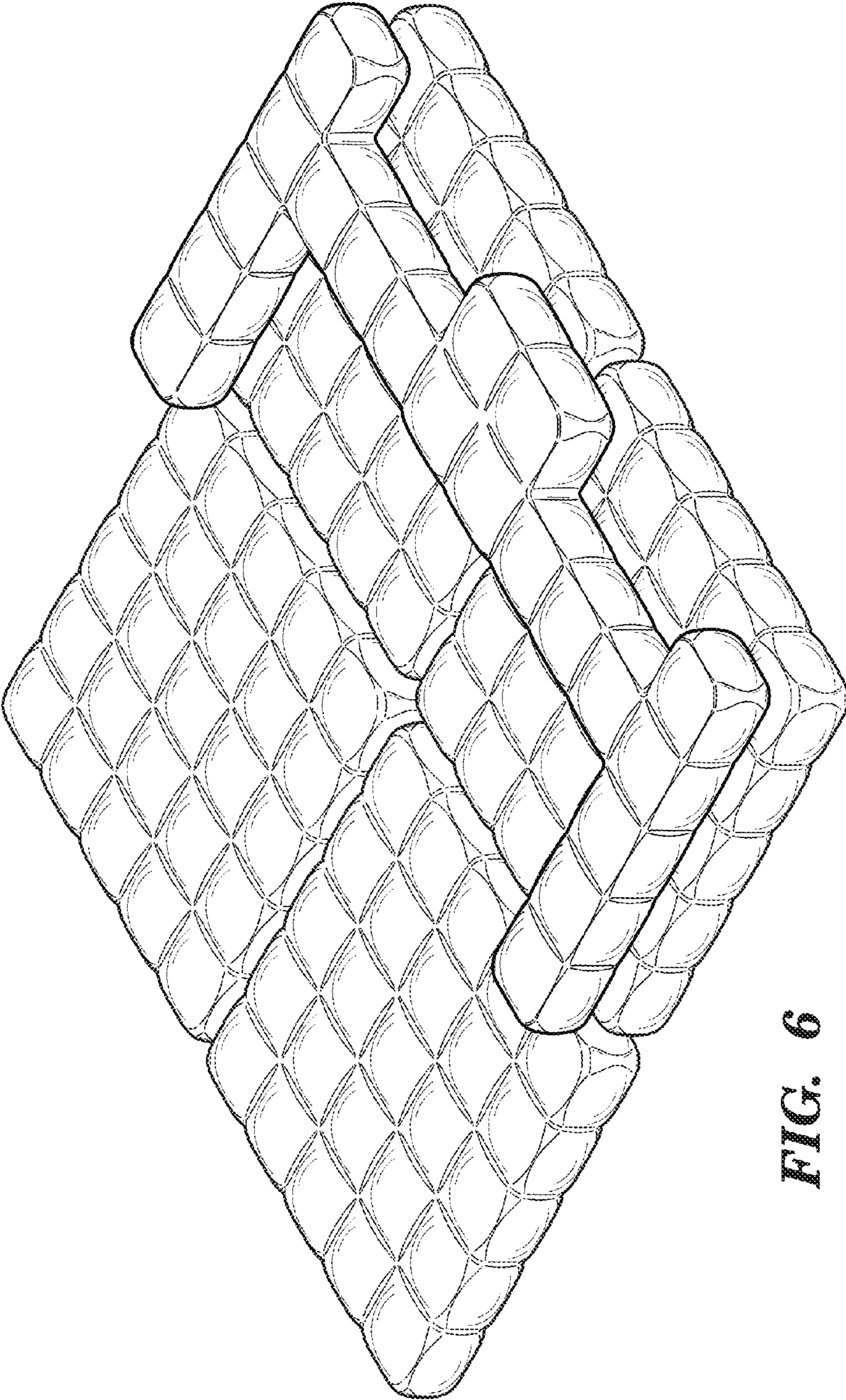
**FIG. 3**



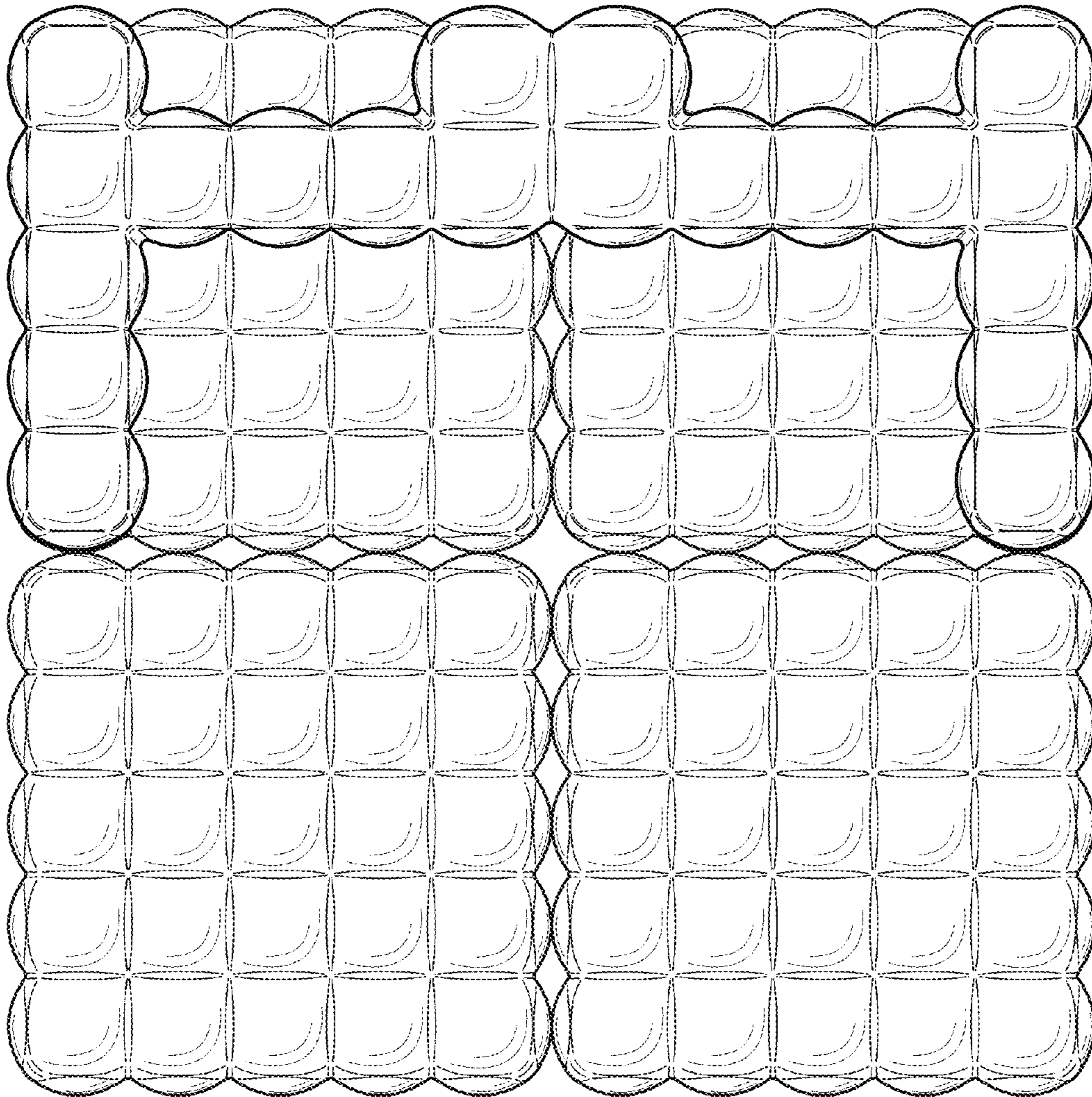
**FIG. 4**



**FIG. 5**

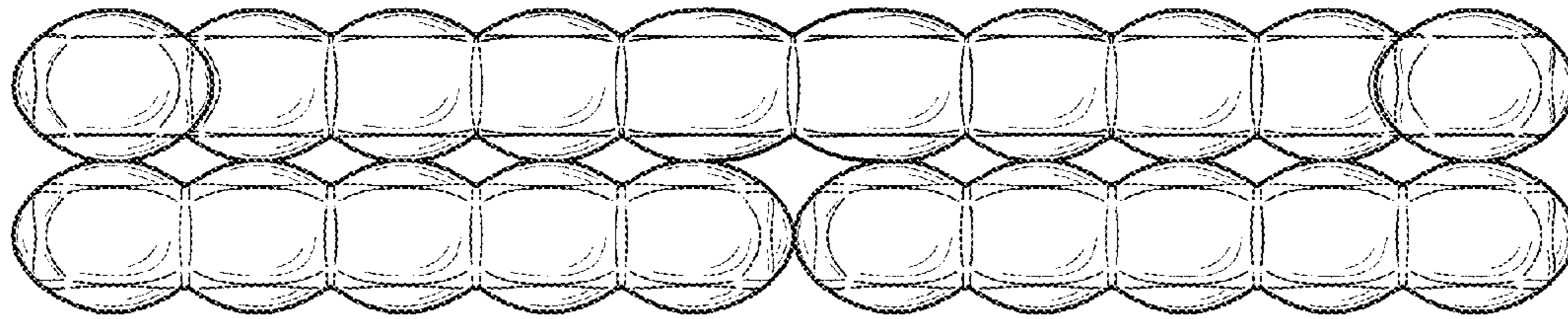


**FIG. 6**

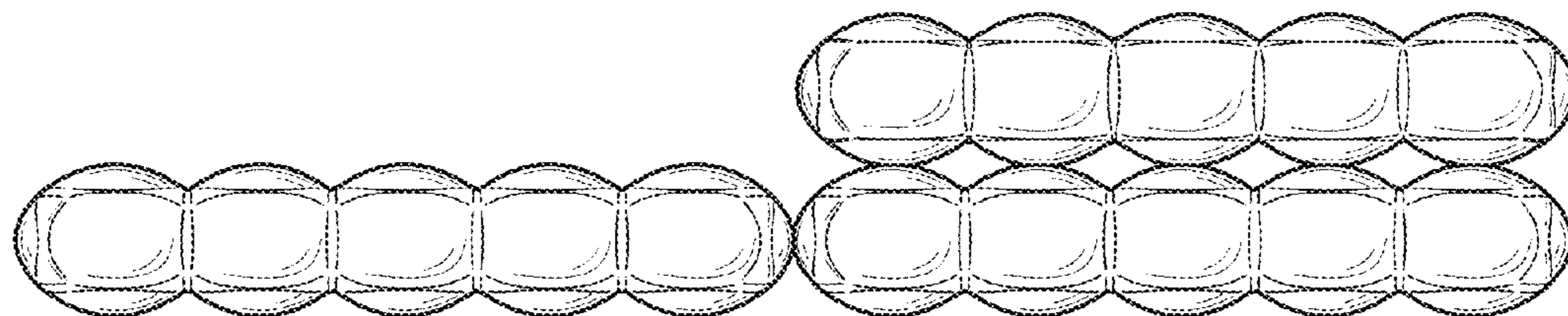


**FIG. 7**

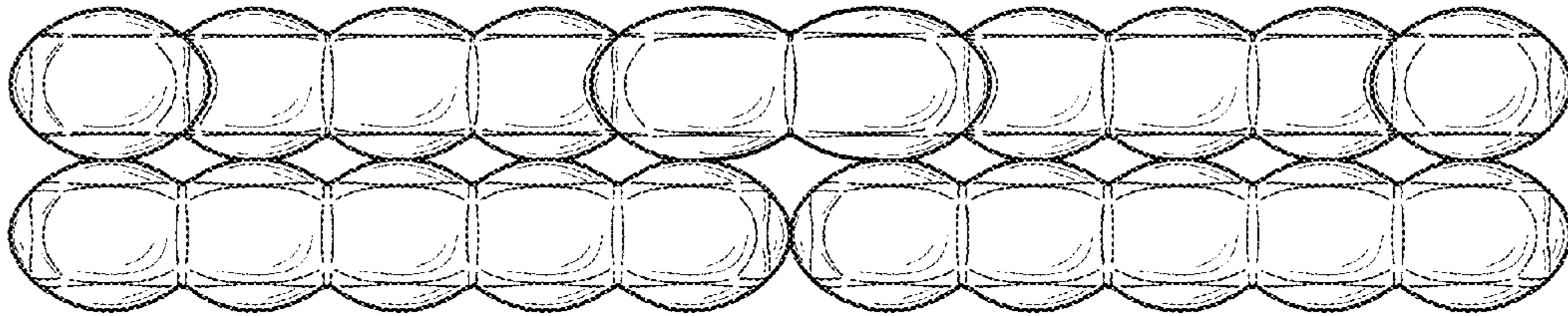




**FIG. 8**



**FIG. 9**



**FIG. 10**