



US00D758752S

(12) **United States Design Patent**
Garcia

(10) **Patent No.:** **US D758,752 S**
(45) **Date of Patent:** **** Jun. 14, 2016**

- (54) **COUCH**
- (71) Applicant: **Baker, Knapp & Tubbs, Inc.**, Hickory, NC (US)
- (72) Inventor: **Jacques Garcia**, Paris (FR)
- (73) Assignee: **Baker, Knapp & Tubbs, Inc.**, Hickory, NC (US)
- (**) Term: **14 Years**
- (21) Appl. No.: **29/523,050**
- (22) Filed: **Apr. 6, 2015**

D234,731 S *	4/1975	McDonald	D6/371
D239,424 S *	4/1976	Offredi	D6/381
4,437,704 A	3/1984	Hovsepian	
D283,276 S *	4/1986	Mallison	D6/334
D345,870 S *	4/1994	Williams	D6/381
D373,256 S	9/1996	Lewis	
D600,939 S *	9/2009	Natuzzi	D6/381
D617,112 S	6/2010	Tsai	
D628,402 S	12/2010	Missoni	
D655,100 S	3/2012	Yeung Ka Fei	
D666,847 S	9/2012	Metcalf et al.	
D680,768 S	4/2013	Versace	
D685,200 S *	7/2013	Sage	D6/371
D687,235 S *	8/2013	Sage	D6/371
D732,867 S *	6/2015	Garcia	D6/371

Related U.S. Application Data

- (62) Division of application No. 29/468,459, filed on Sep. 30, 2013, now Pat. No. Des. 732,867.
- (51) **LOC (10) Cl.** **06-01**
- (52) **U.S. Cl.**
USPC **D6/371**
- (58) **Field of Classification Search**
USPC D6/334-336, 371, 372, 373, 374, 379, D6/381, 716, 716.1, 716.4
CPC A47C 4/02; A47C 4/03; A47C 7/54; A47C 4/00; A47C 4/025; A47C 4/028; A47C 17/12
See application file for complete search history.

References Cited

U.S. PATENT DOCUMENTS

D170,088 S *	7/1953	Hoffman	D6/381
D221,219 S	7/1971	Winrow	
D226,888 S *	5/1973	Gilbert et al.	D6/371

OTHER PUBLICATIONS

Notice of Allowance regarding U.S. Appl. No. 29/468,459 issued Apr. 13, 2015.

* cited by examiner

Primary Examiner — Mimoso De

(74) *Attorney, Agent, or Firm* — Foley & Lardner LLP

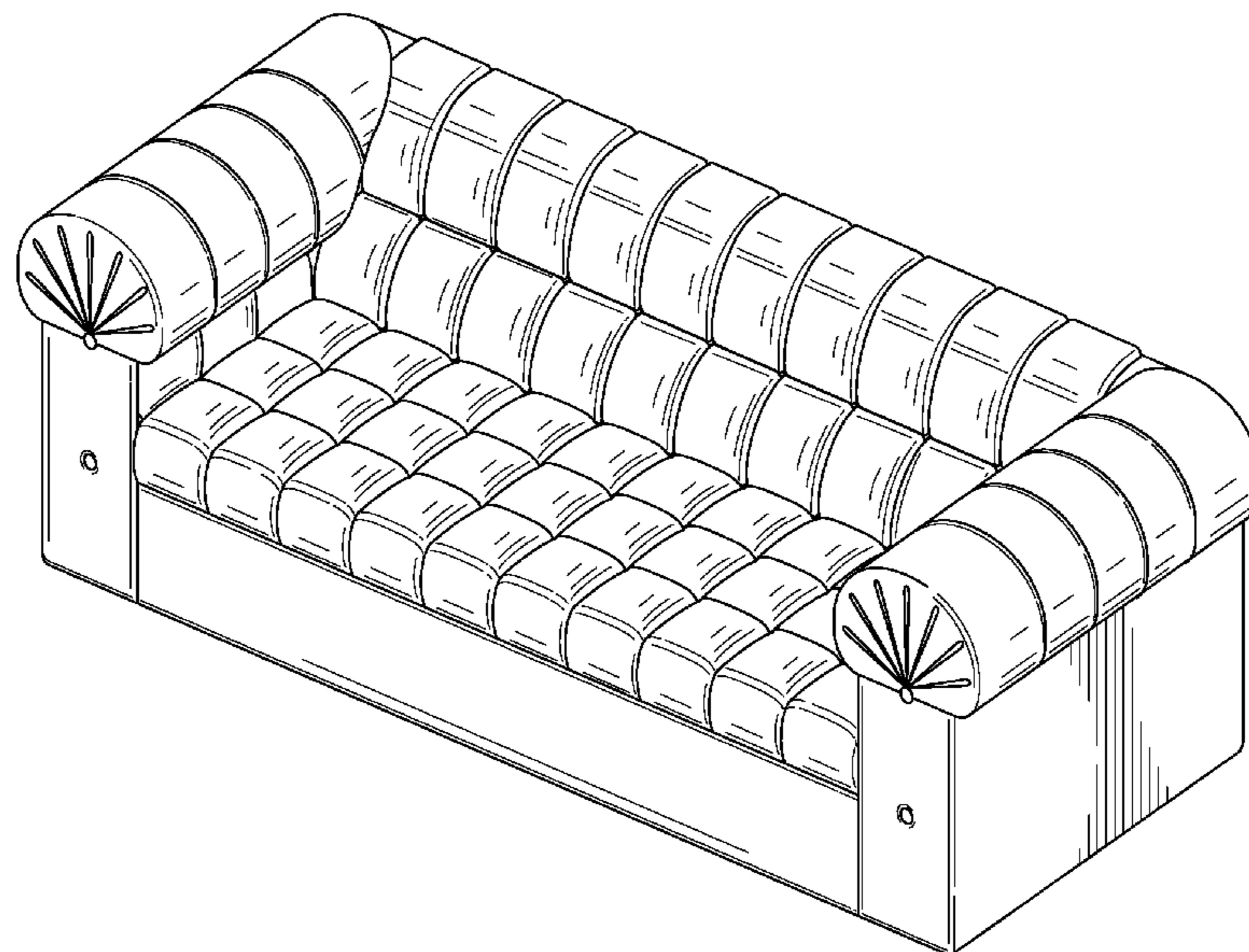
(57) **CLAIM**

I claim the ornamental design for a couch, as shown and described.

DESCRIPTION

FIG. 1 is a perspective view of the claimed design; FIG. 2 is a front view of the claimed design shown in FIG. 1; FIG. 3 is a rear view shown in FIG. 1; FIG. 4 is a side view shown in FIG. 1; FIG. 5 is another side view shown in FIG. 1; FIG. 6 is a top view shown in FIG. 1; and, FIG. 7 is a bottom view shown in FIG. 1.

1 Claim, 6 Drawing Sheets



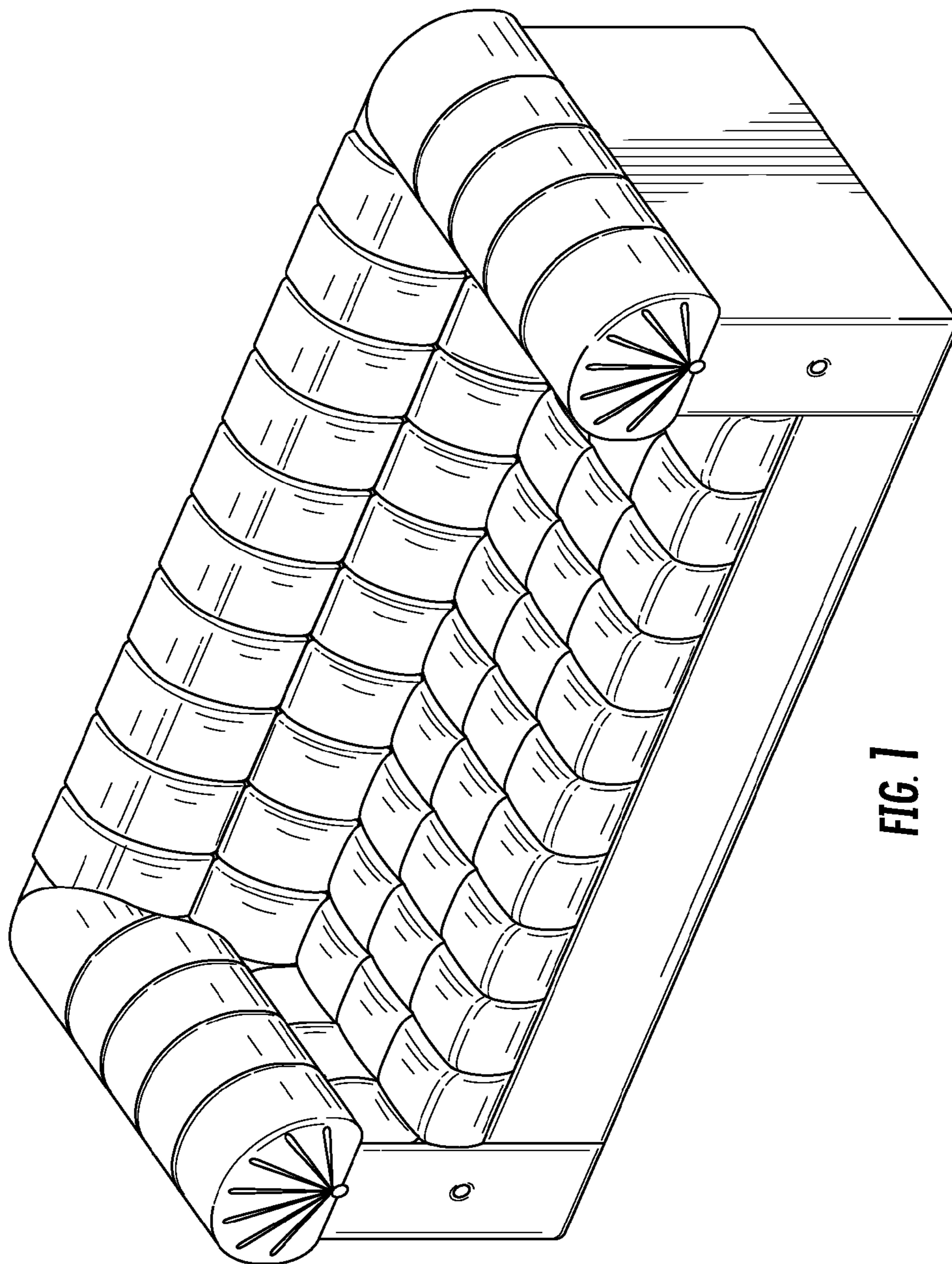


FIG. 1

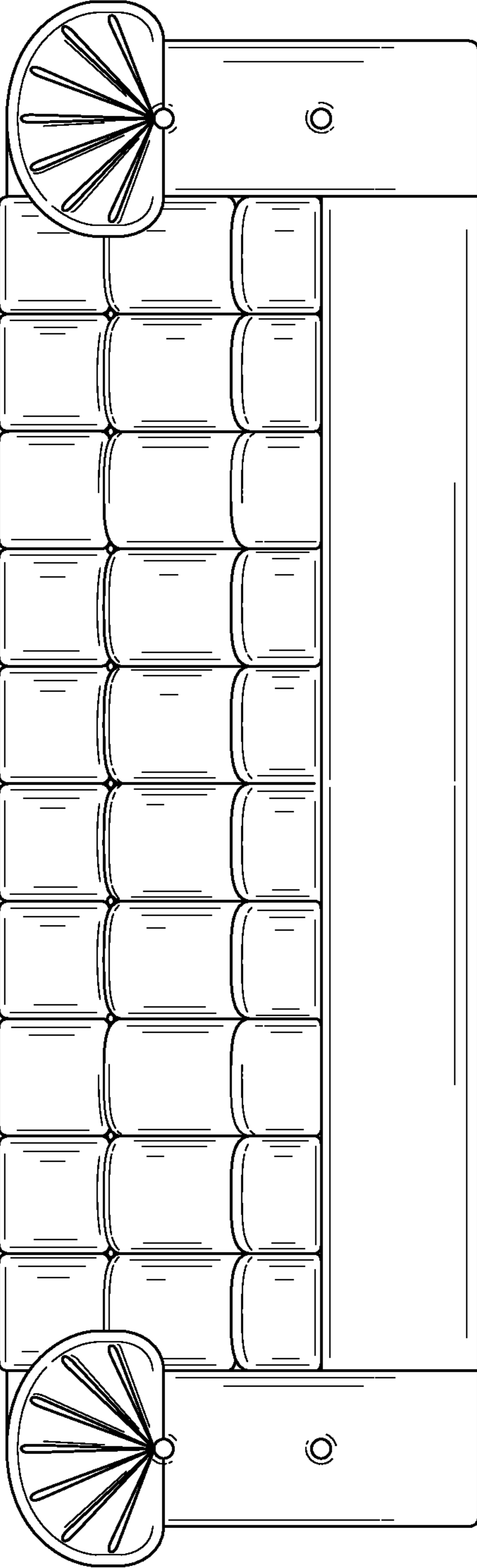


FIG. 2

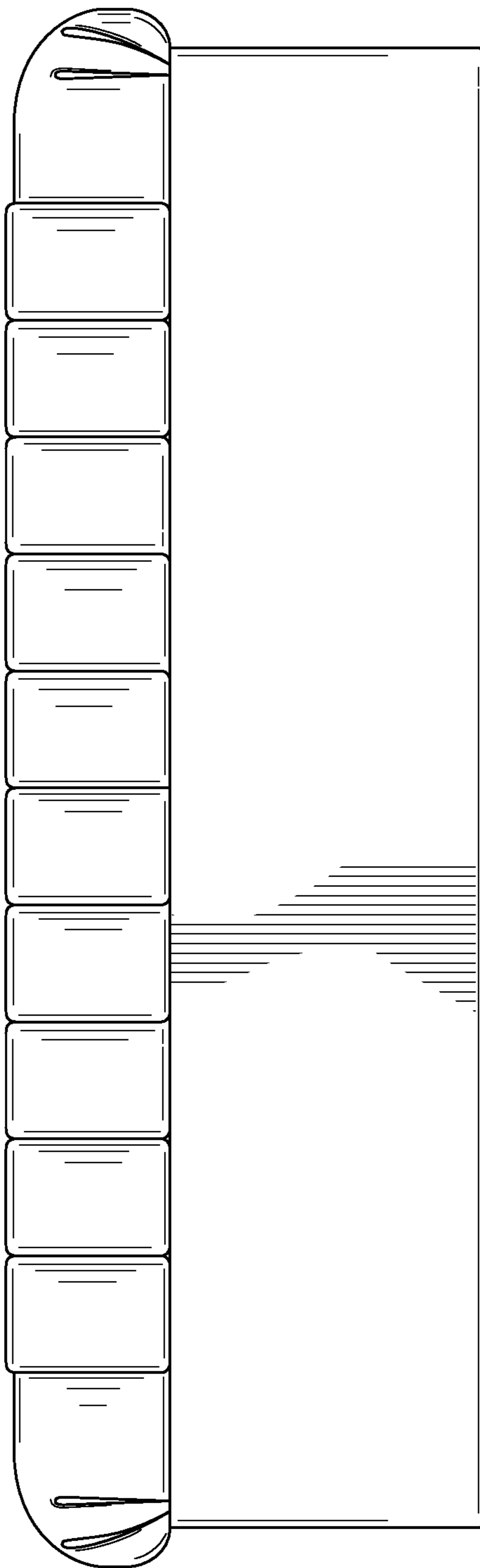


FIG. 3

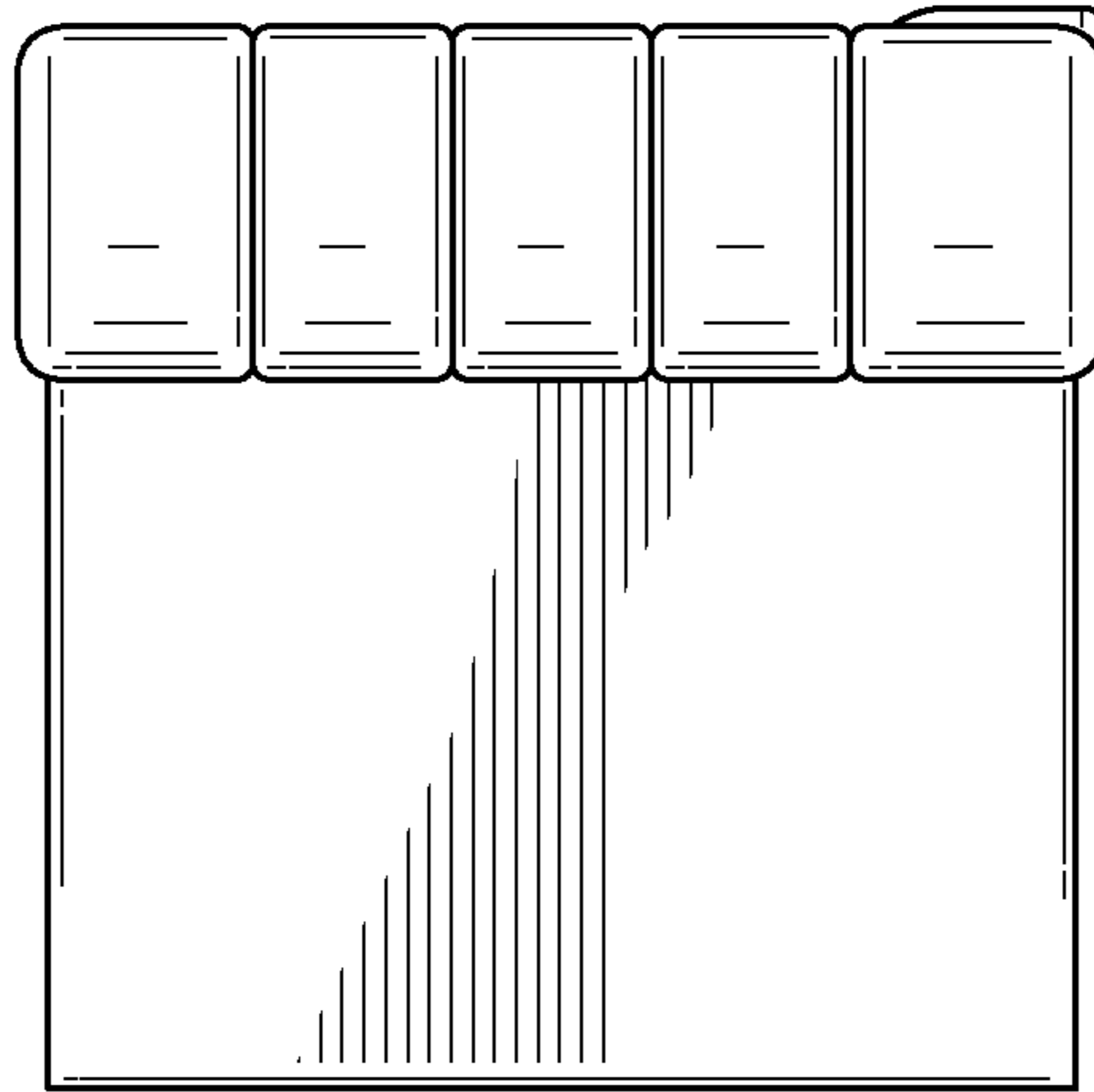


FIG. 4

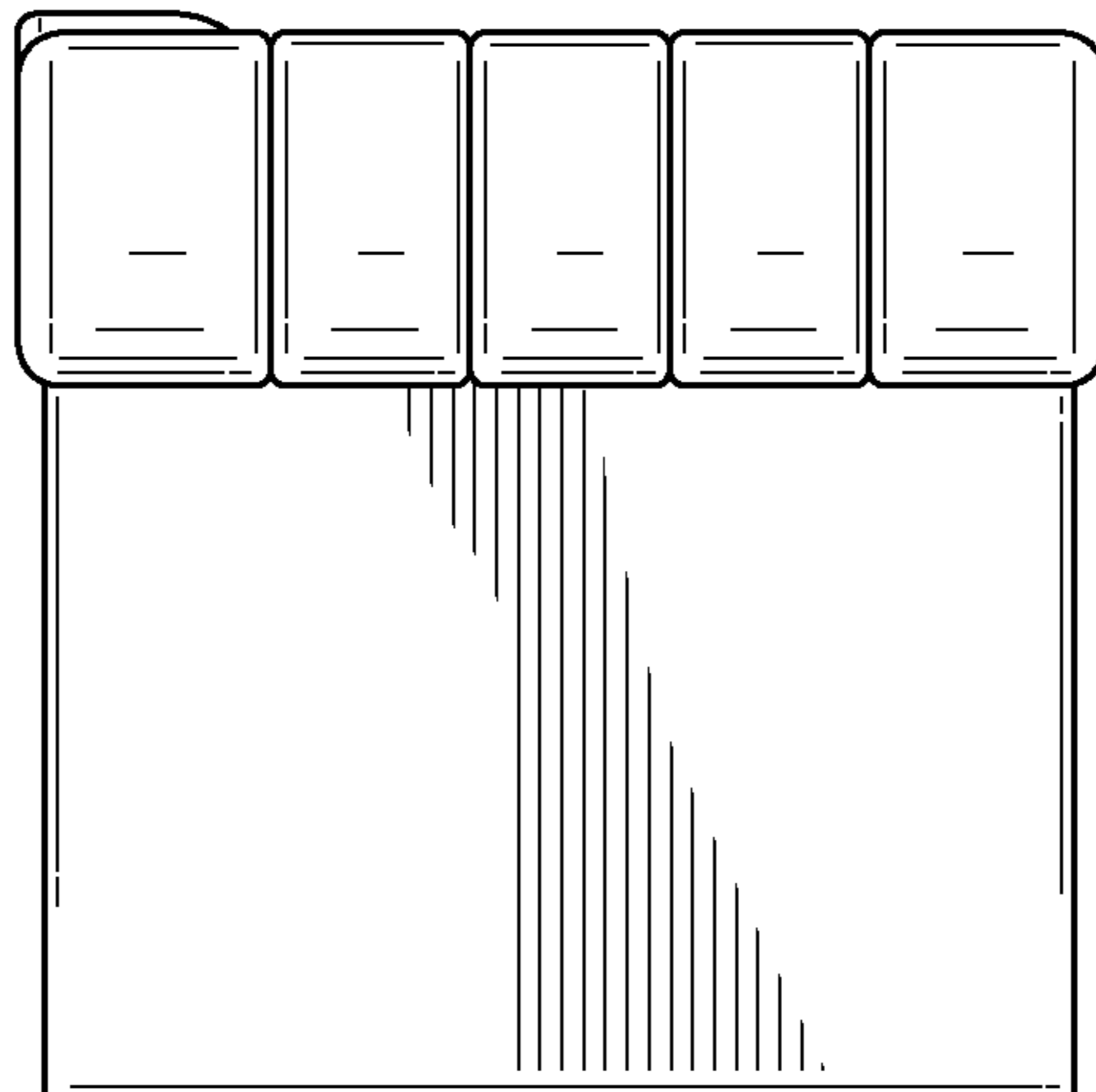


FIG. 5

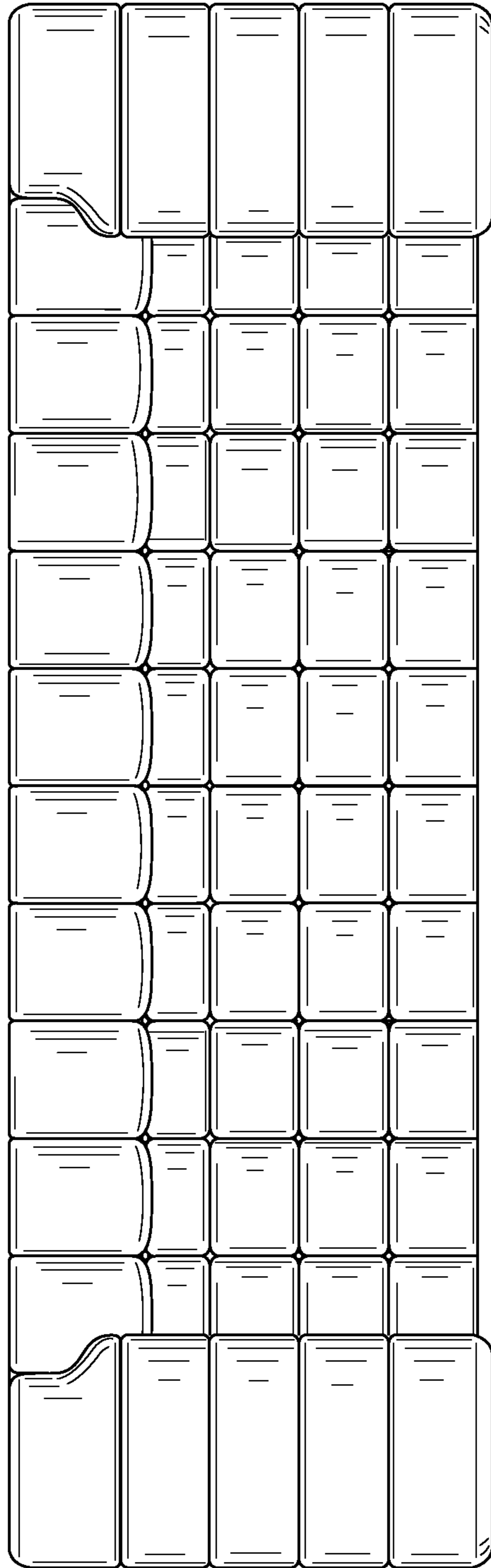


FIG. 6

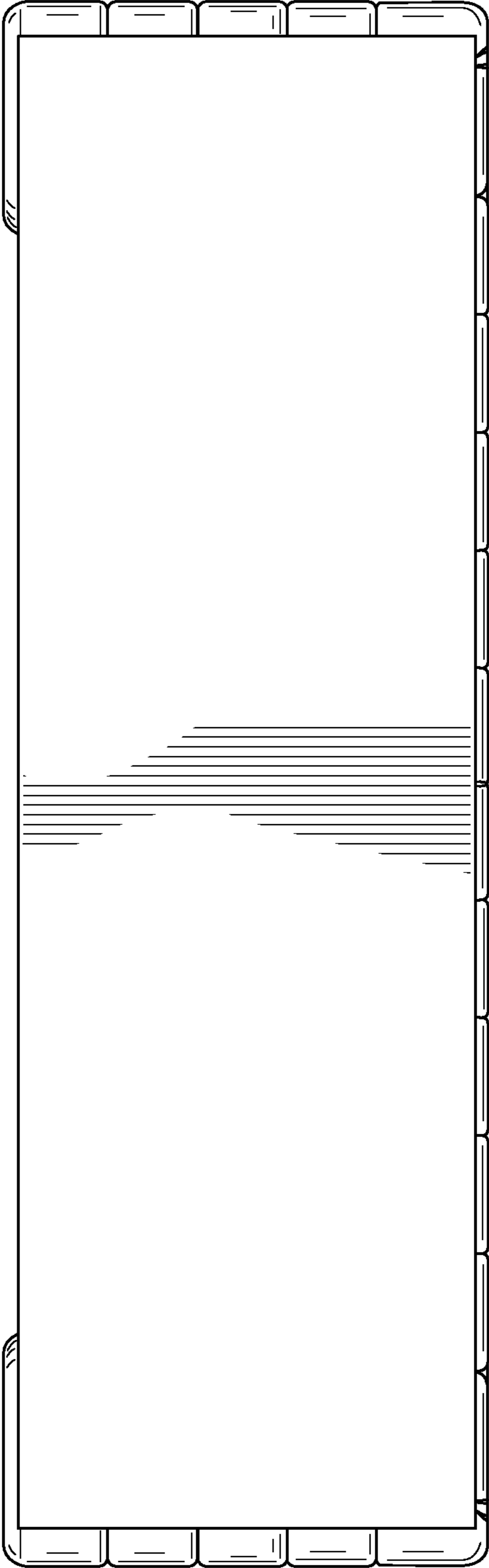


FIG. 7