



US00D758751S

(12) **United States Design Patent**
Lievore et al.

(10) **Patent No.:** **US D758,751 S**
(45) **Date of Patent:** **** Jun. 14, 2016**

(54) **OFFICE CHAIR**

(71) Applicant: **ARPER S.p.A.**, Monastier di Treviso (Treviso) (IT)
(72) Inventors: **Alberto Lievore**, Monastier di Treviso (IT); **Jeannette Altherr**, Monastier di Treviso (IT); **Manel Molina**, Monastier di Treviso (IT)
(73) Assignee: **ARPER S.p.A.**, Monastier di Treviso (Treviso) (IT)

(**) Term: **14 Years**

(21) Appl. No.: **29/523,800**

(22) Filed: **Apr. 14, 2015**

(30) **Foreign Application Priority Data**

Oct. 17, 2014 (WO) 846242301

(51) **LOC (10) Cl.** **06-01**

(52) **U.S. Cl.**
USPC **D6/366**

(58) **Field of Classification Search**
USPC D6/334–336, 364, 365, 366, 374, 375, D6/379, 380, 716, 716.1, 716.2, 716.4
CPC A47C 7/16; A47C 7/54; A47C 7/022; A47C 7/40; A47C 7/18; A47C 7/22; A47C 7/24
See application file for complete search history.

(56) **References Cited**

U.S. PATENT DOCUMENTS

D236,302 S * 8/1975 Prizlow D6/366
D240,478 S * 7/1976 Sklaroff D6/366

D259,155 S * 5/1981 Buhk D6/366
D260,205 S * 8/1981 Buhk D6/366
D550,466 S * 9/2007 Molina D6/366
D565,317 S * 4/2008 Molina D6/375
D602,273 S * 10/2009 Starczewski D6/366
D645,672 S * 9/2011 Lievore D6/366
D646,084 S * 10/2011 Lievore D6/716
D649,797 S * 12/2011 Lievore D6/366
D654,732 S * 2/2012 Kubryk D6/366
D657,151 S * 4/2012 Lievore D6/366
D680,344 S * 4/2013 Lievore D6/366
D688,484 S * 8/2013 Starck D6/375
D734,632 S * 7/2015 Hara D6/366
D737,617 S * 9/2015 Bellin D6/375

* cited by examiner

Primary Examiner — Mimoso De

(74) *Attorney, Agent, or Firm* — Thomas | Horstemeyer, LLP

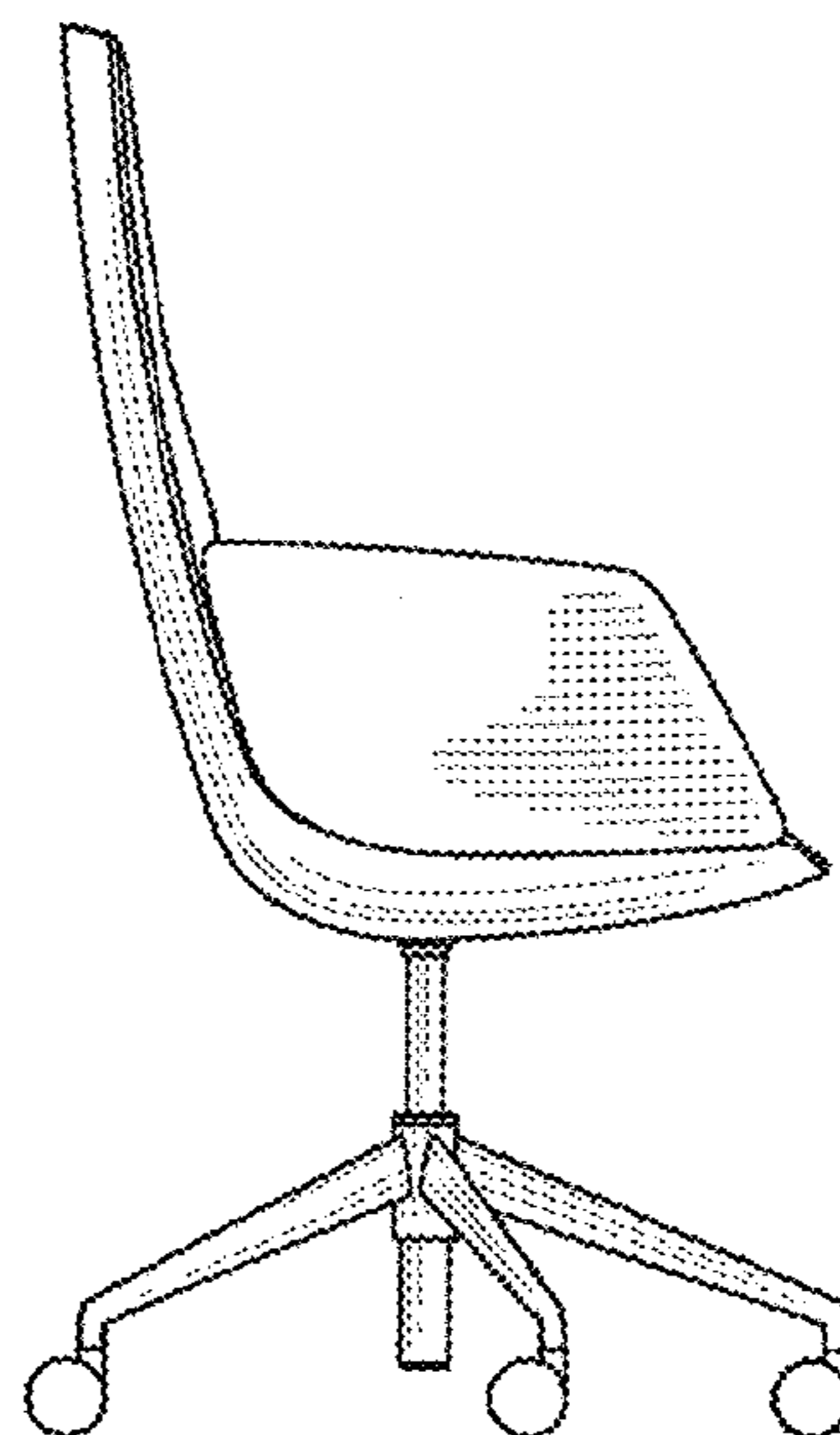
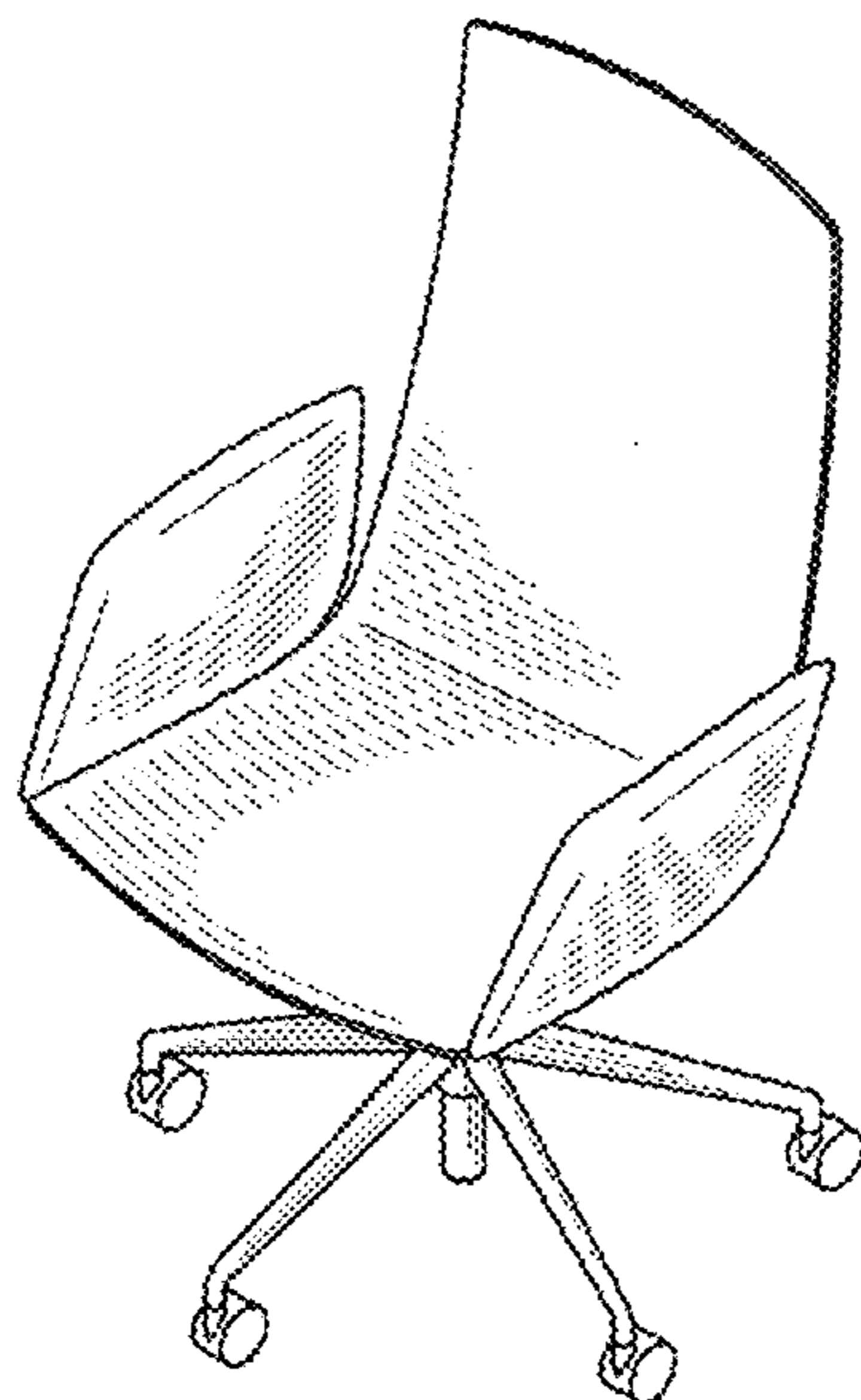
(57) **CLAIM**

The ornamental design for an office chair, as shown and described.

DESCRIPTION

FIG. 1 is a perspective view of my new office chair;
FIG. 2 is a perspective view of my new office chair from a back opposite that of FIG. 1;
FIG. 3 is a front elevational view of my new office chair of FIG. 1;
FIG. 4 is a rear elevational view of my new office chair, opposite that of FIG. 3;
FIG. 5 is a side elevational view of my new office chair of FIG. 1;
FIG. 6 is a side elevational view of my new office chair from a side opposite that of FIG. 5;
FIG. 7 is a top view of my new office chair; and,
FIG. 8 is a bottom view of my new office chair.

1 Claim, 8 Drawing Sheets



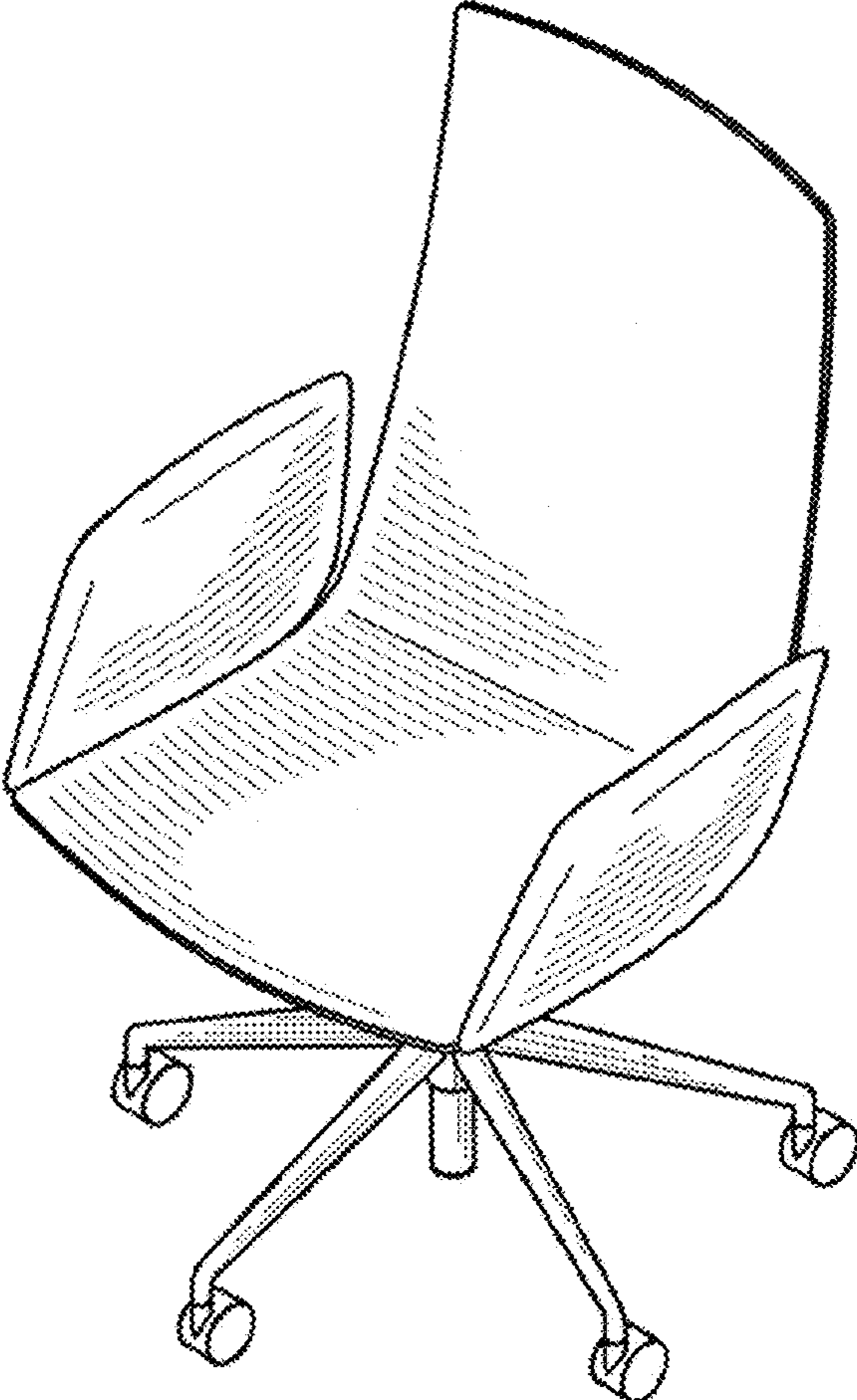


FIG.1

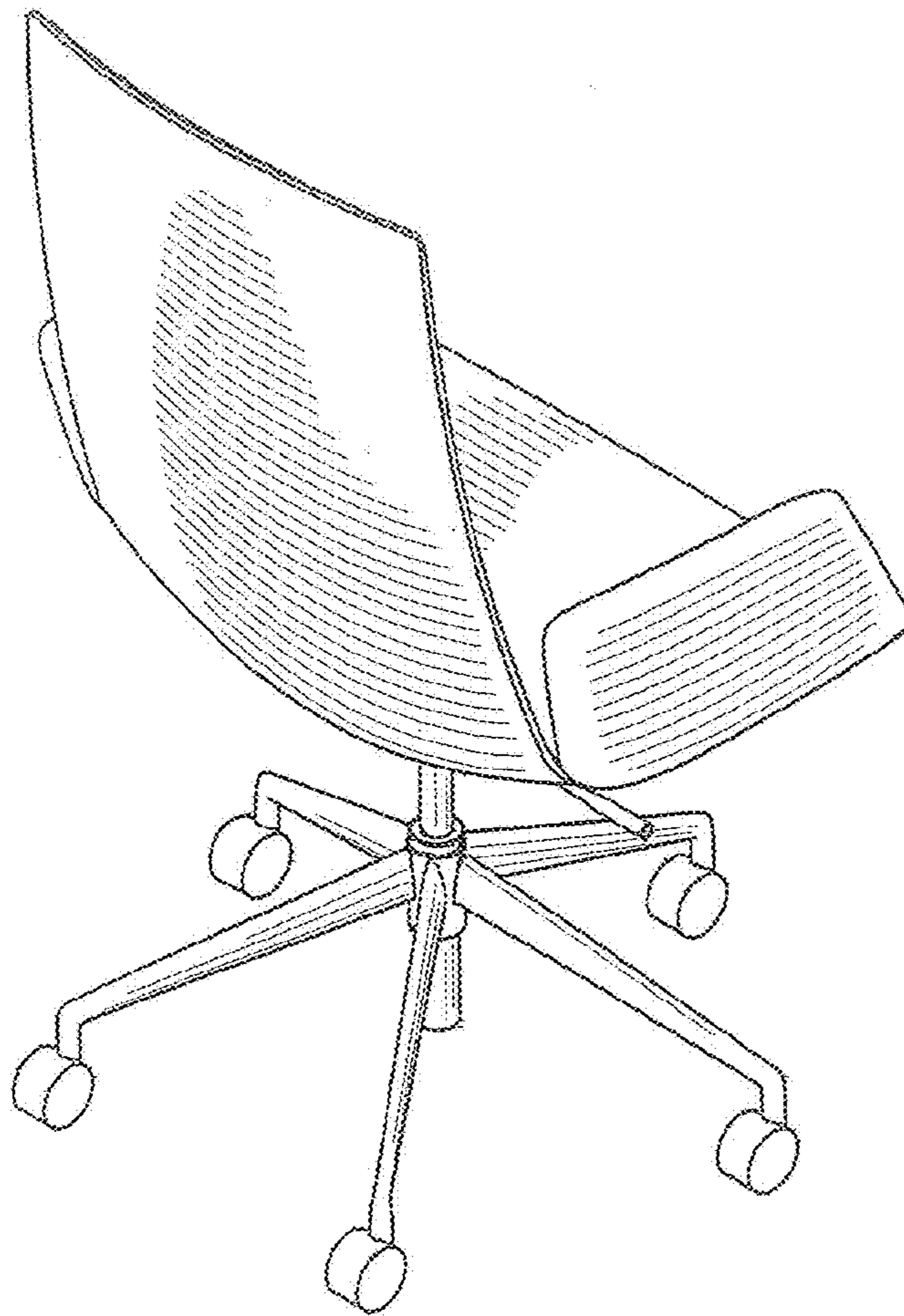


FIG.2

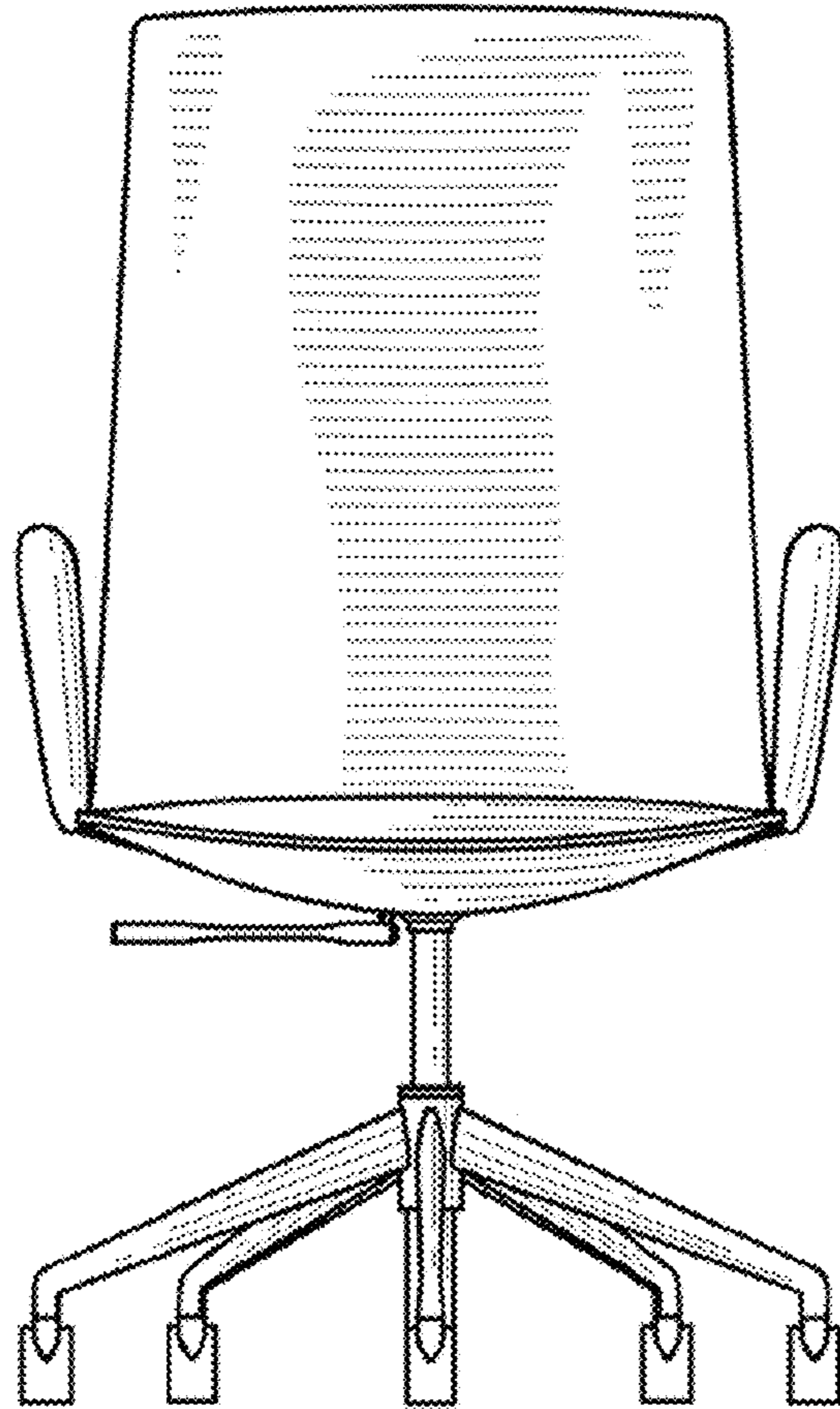


FIG. 3

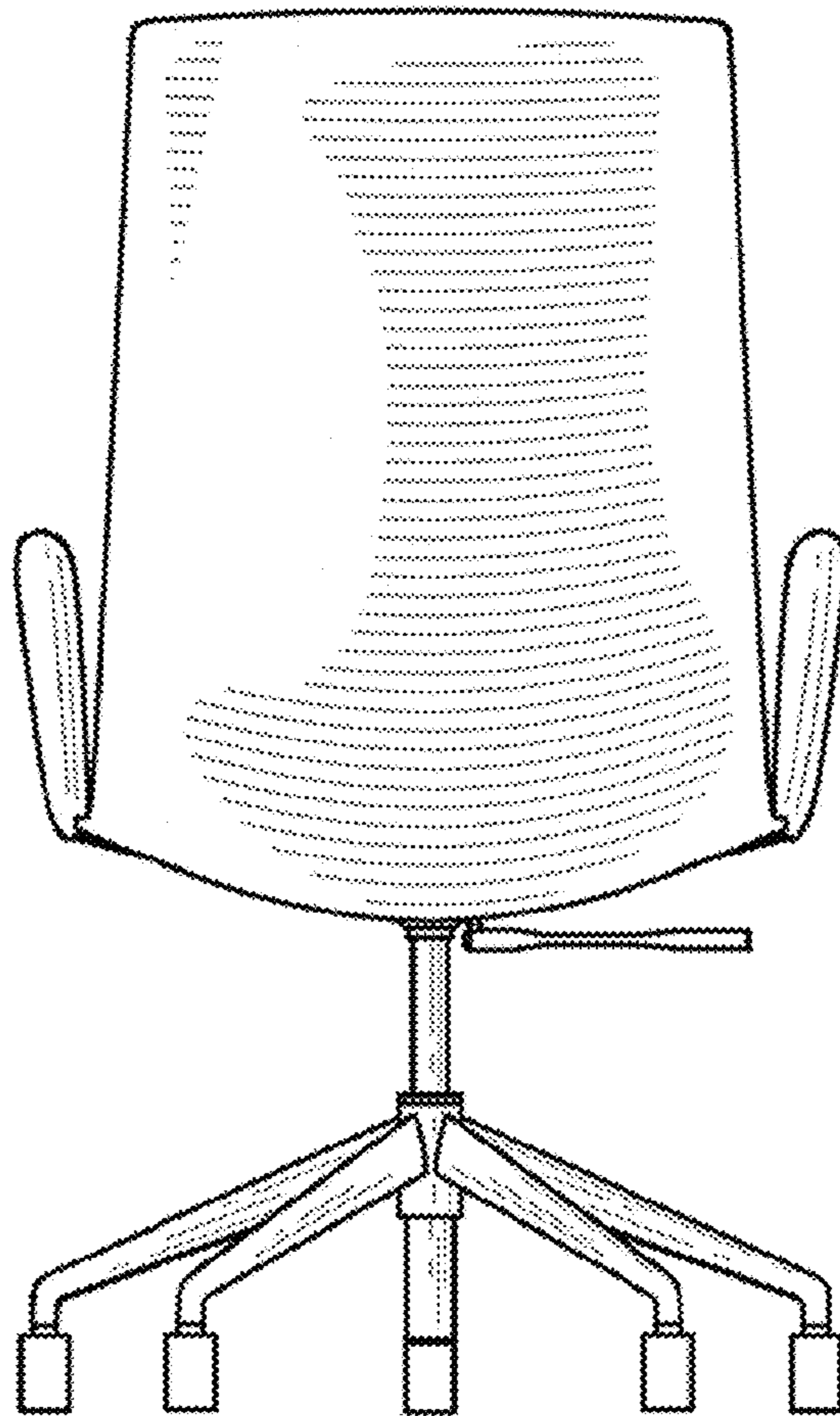


FIG. 4

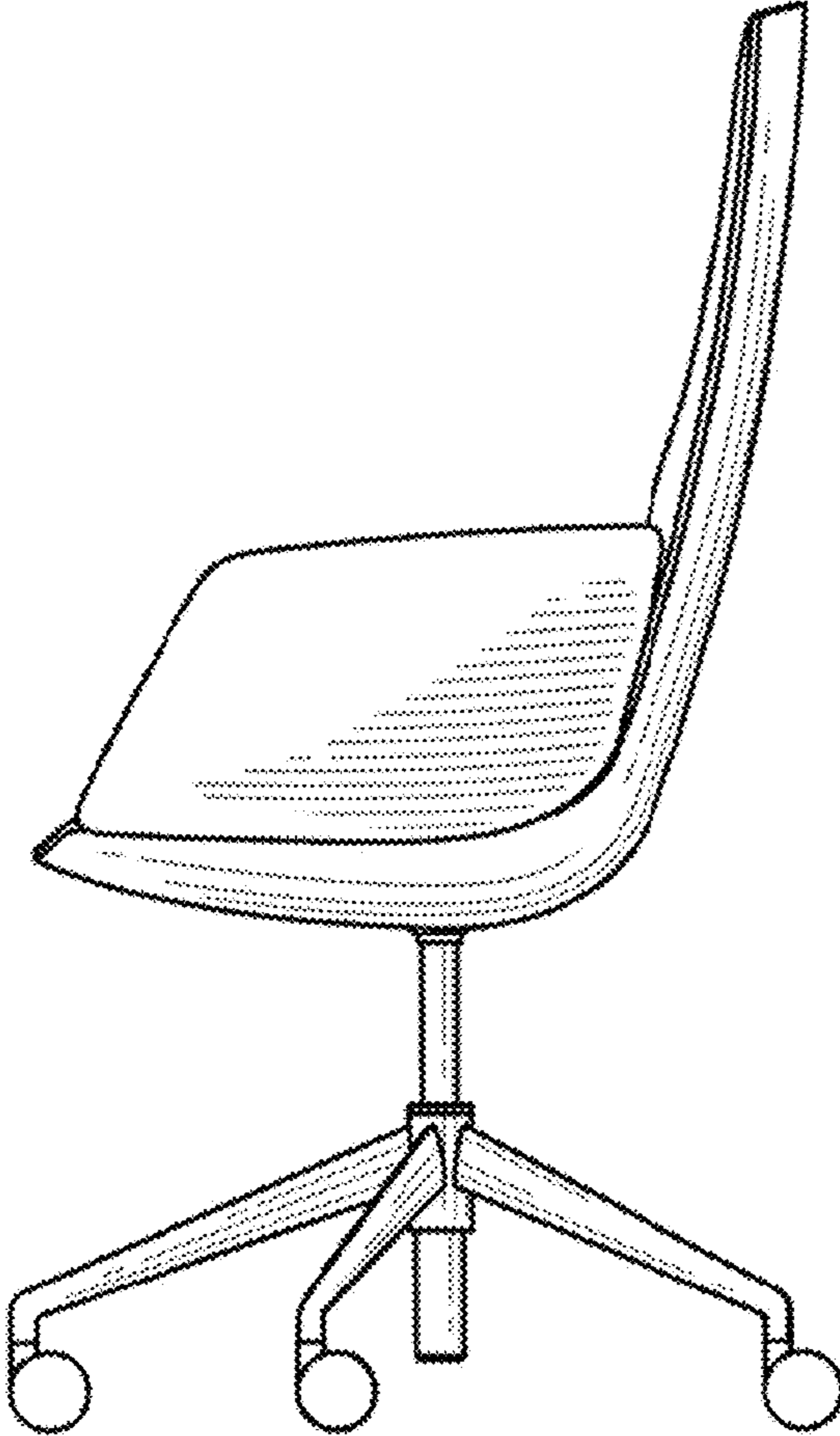


FIG. 5

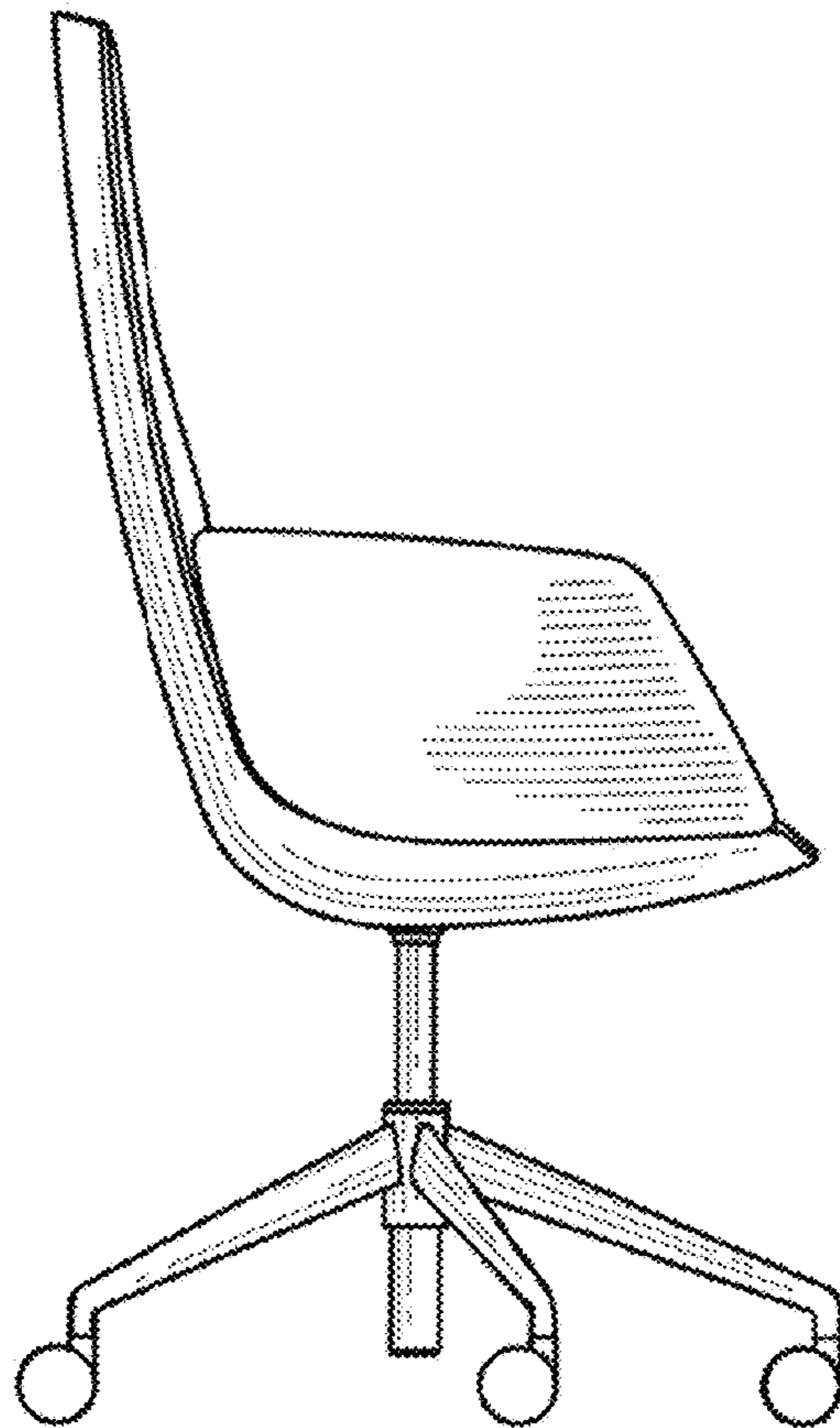


FIG. 6

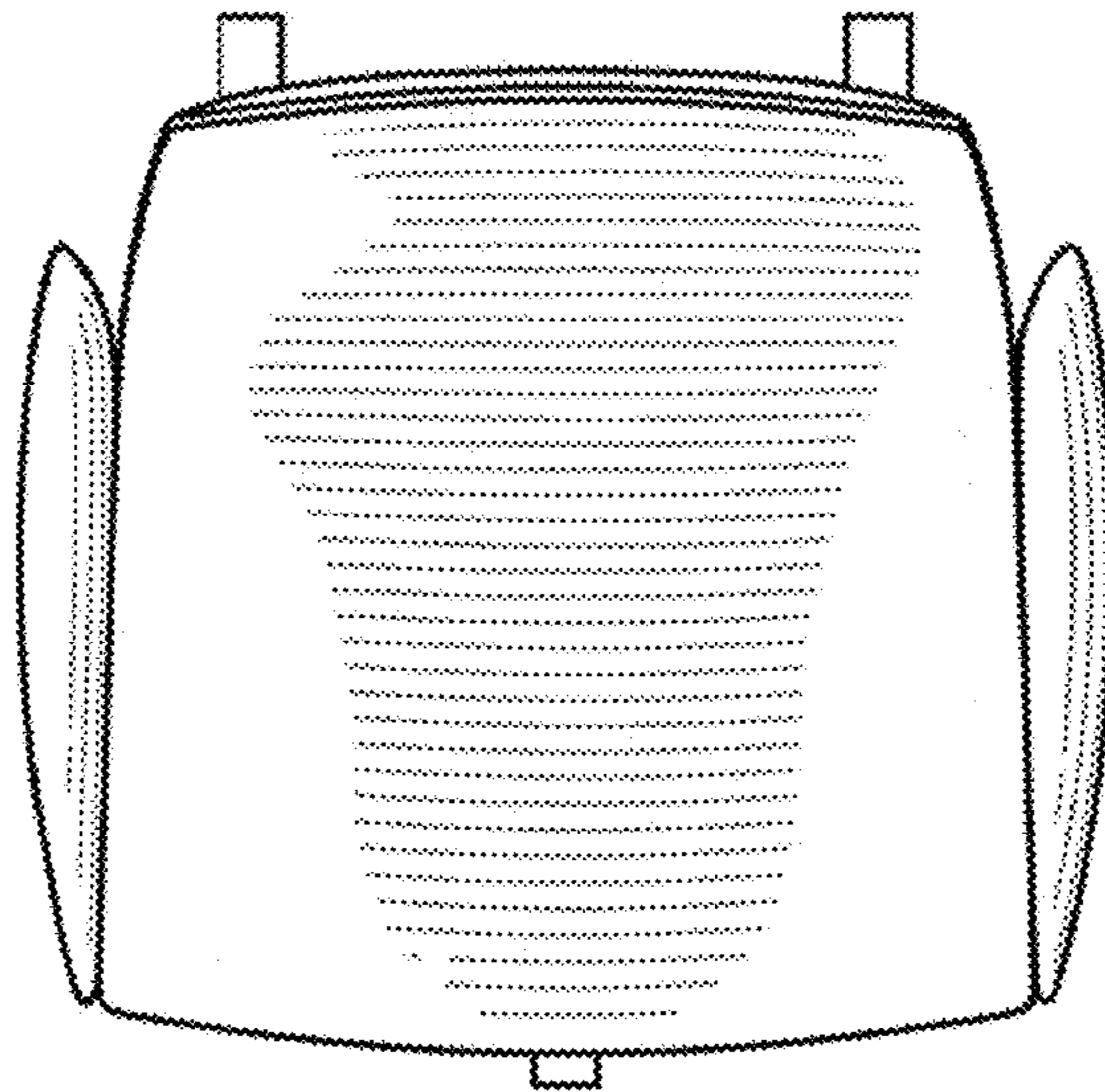


FIG. 7

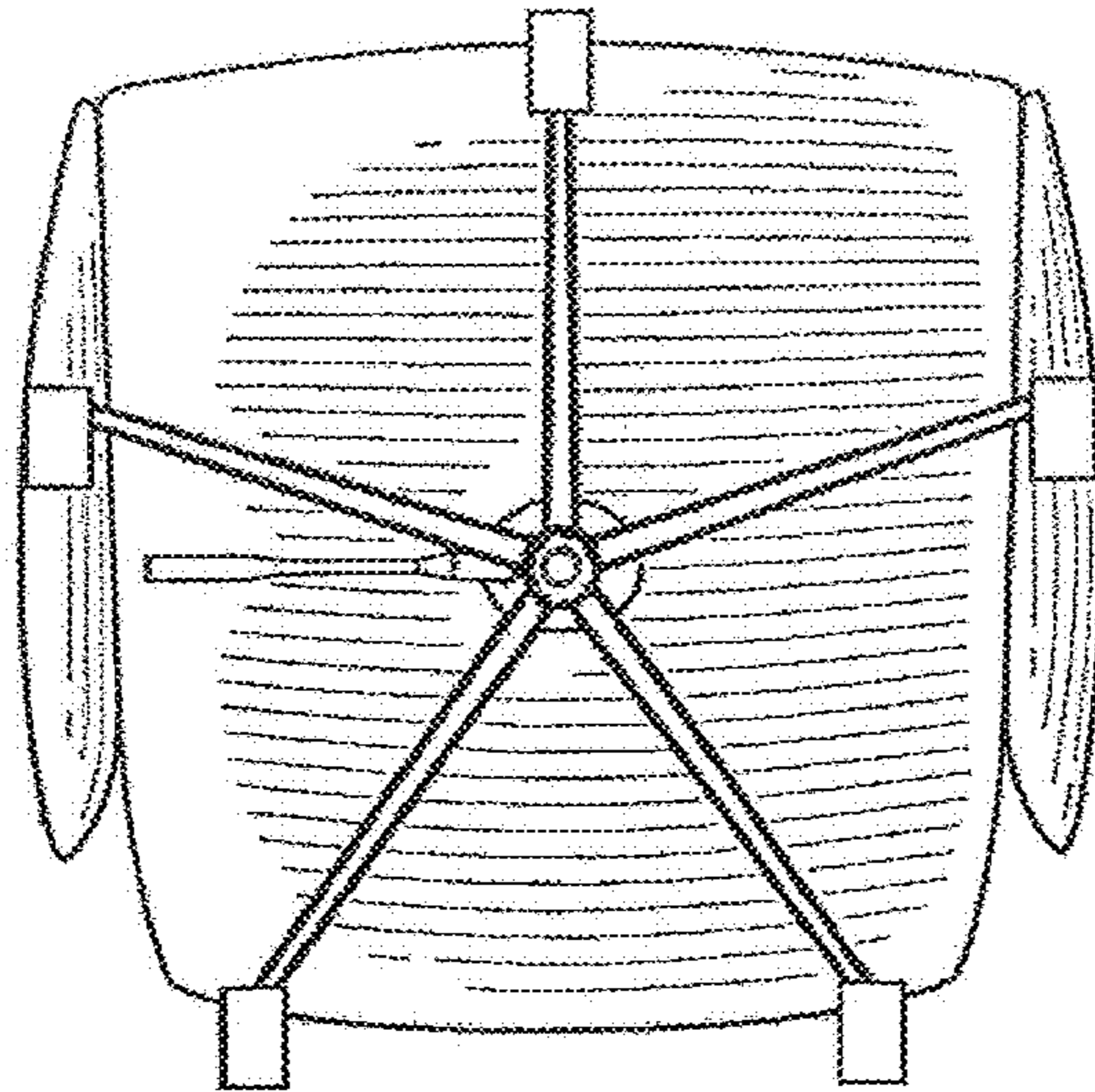


FIG. 8