



US00D758750S

(12) **United States Design Patent**
Lievore et al.

(10) **Patent No.:** **US D758,750 S**
(45) **Date of Patent:** **** Jun. 14, 2016**

(54) **OFFICE CHAIR**

- (71) Applicant: **ARPER S.p.A.**, Monastier di Treviso (IT)
- (72) Inventors: **Alberto Lievore**, Monastier di Treviso (IT); **Jeannette Altherr**, Monastier di Treviso (IT); **Manel Molina**, Monastier di Treviso (IT)
- (73) Assignee: **ARPER S.p.A.**, Monastier di Treviso (Treviso) (IT)
- (**) Term: **14 Years**
- (21) Appl. No.: **29/523,798**
- (22) Filed: **Apr. 14, 2015**

(30) **Foreign Application Priority Data**

- Oct. 17, 2014 (WO) 846242301
- (51) **LOC (10) Cl.** **06-01**
- (52) **U.S. Cl.**
USPC **D6/366**
- (58) **Field of Classification Search**
USPC D6/334–336, 364, 365, 366, 374, 375,
D6/379, 380, 716, 716.1, 716.2, 716.4
CPC A47C 7/16; A47C 7/54; A47C 7/022;
A47C 7/40; A47C 7/18; A47C 7/22; A47C
7/24

See application file for complete search history.

(56) **References Cited**

U.S. PATENT DOCUMENTS

D236,302 S *	8/1975	Prizlow	D6/366
D240,478 S *	7/1976	Sklaroff	D6/366
D259,155 S *	5/1981	Buhk	D6/366
D550,466 S *	9/2007	Molina	D6/366
D565,317 S *	4/2008	Molina	D6/375
D645,672 S *	9/2011	Lievore	D6/366
D646,084 S *	10/2011	Lievore	D6/716
D649,797 S *	12/2011	Lievore	D6/366
D654,732 S *	2/2012	Kubryk	D6/716
D688,484 S *	8/2013	Starck	D6/375

* cited by examiner

Primary Examiner — Mimoso De

(74) *Attorney, Agent, or Firm* — Thomas | Horstemeyer, LLP

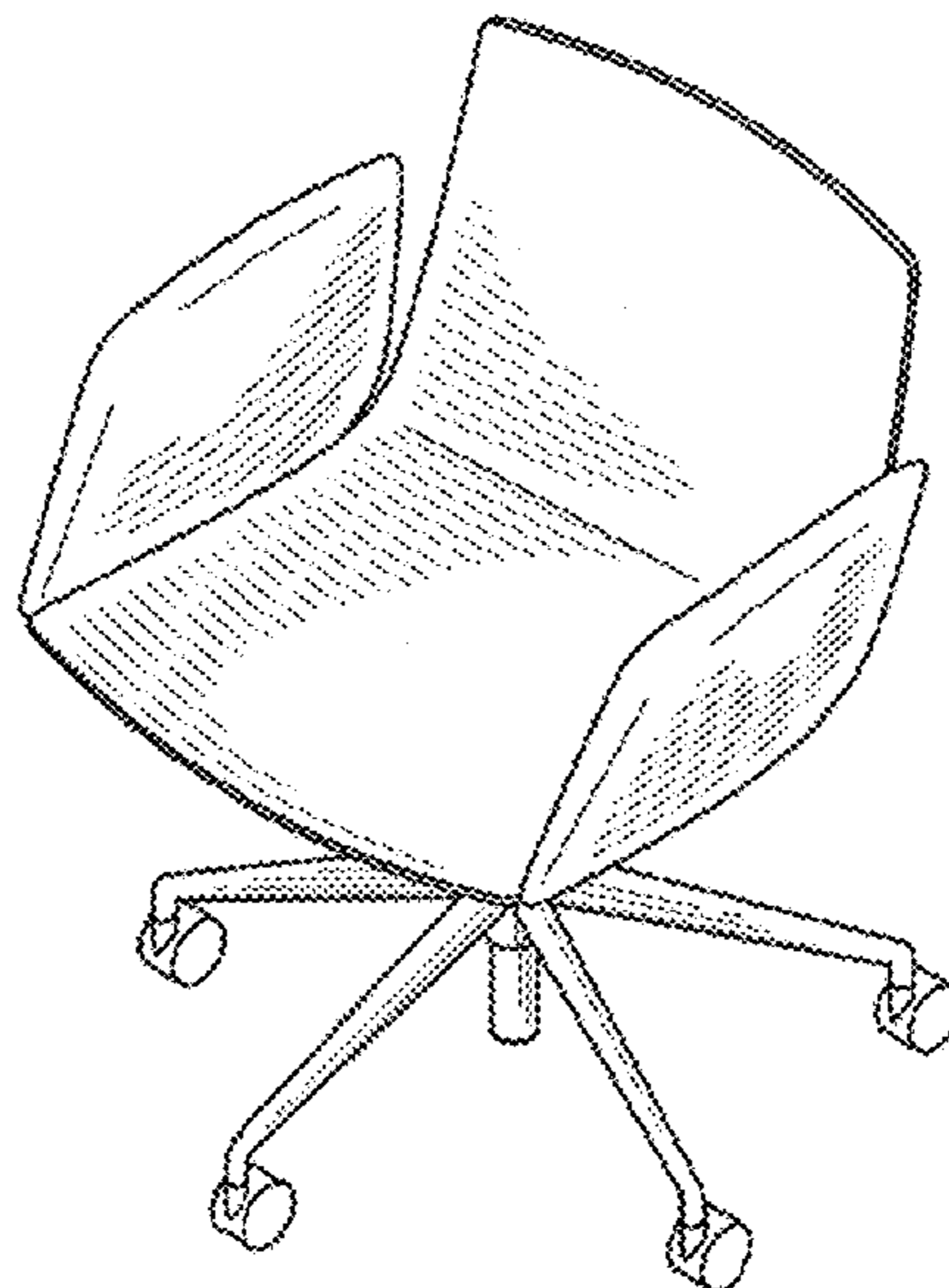
(57) **CLAIM**

The ornamental design for an office chair, as shown and described.

DESCRIPTION

FIG. 1 is a perspective view of my new office chair;
 FIG. 2 is a perspective view of my new office chair from a back opposite that of FIG. 1;
 FIG. 3 is a front elevational view of my new office chair of FIG. 1;
 FIG. 4 is a rear elevational view of my new office chair, opposite that of FIG. 3;
 FIG. 5 is a side elevational view of my new office chair of FIG. 1;
 FIG. 6 is a side elevational view of my new office chair from a side opposite that of FIG. 5;
 FIG. 7 is a top view of my new office chair; and,
 FIG. 8 is a bottom view of my new office chair.

1 Claim, 8 Drawing Sheets



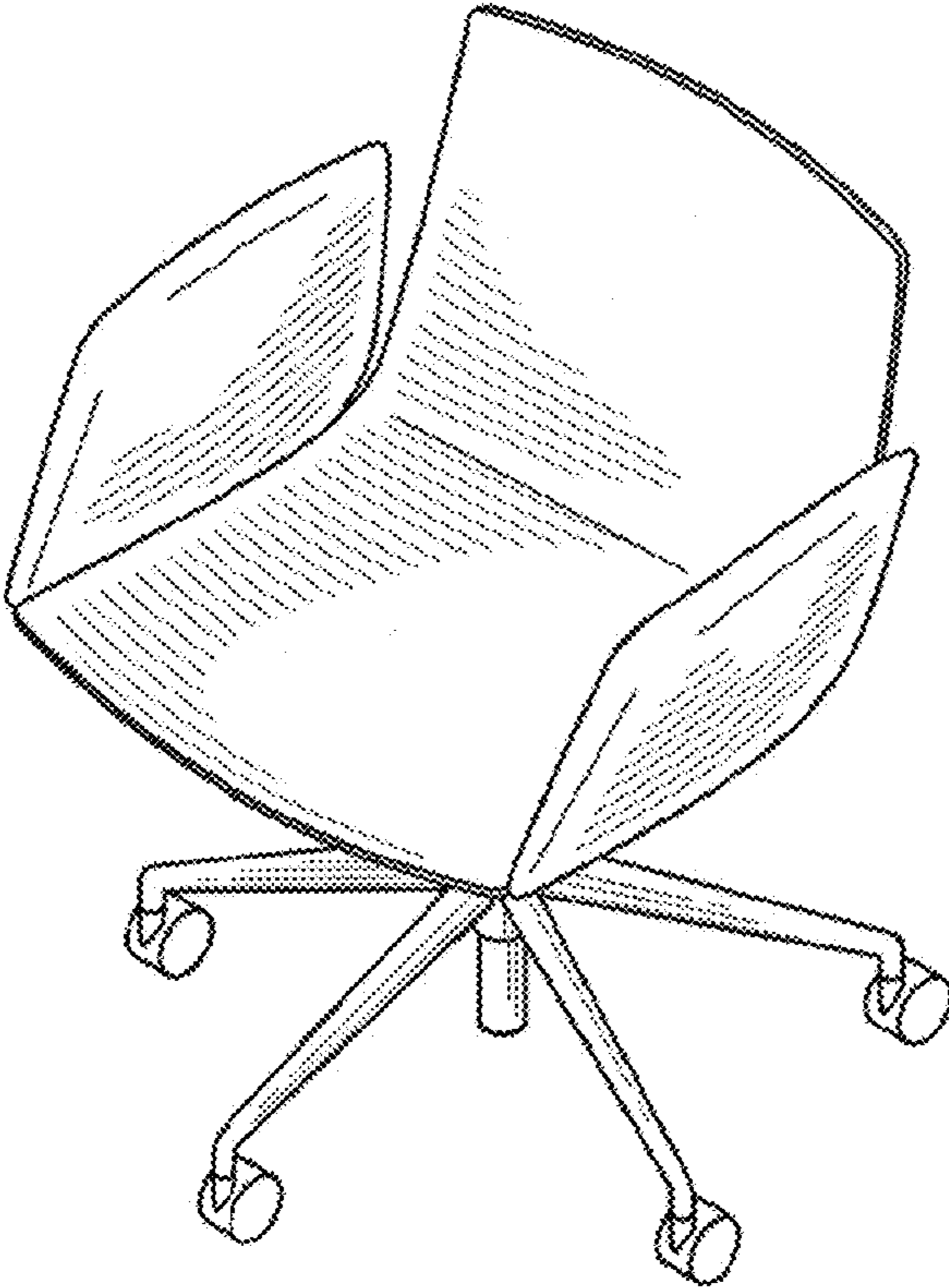


FIG. 1

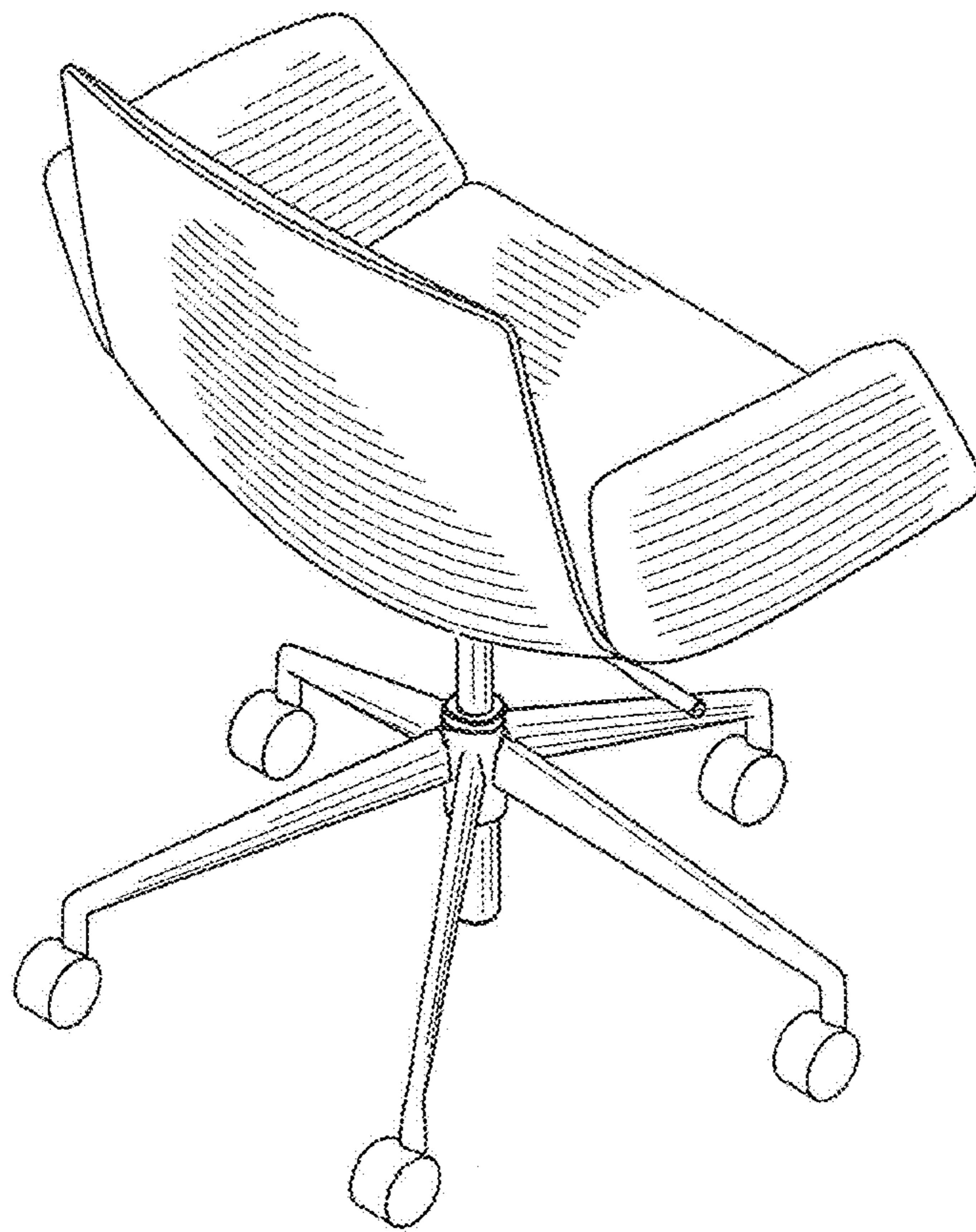


FIG.2

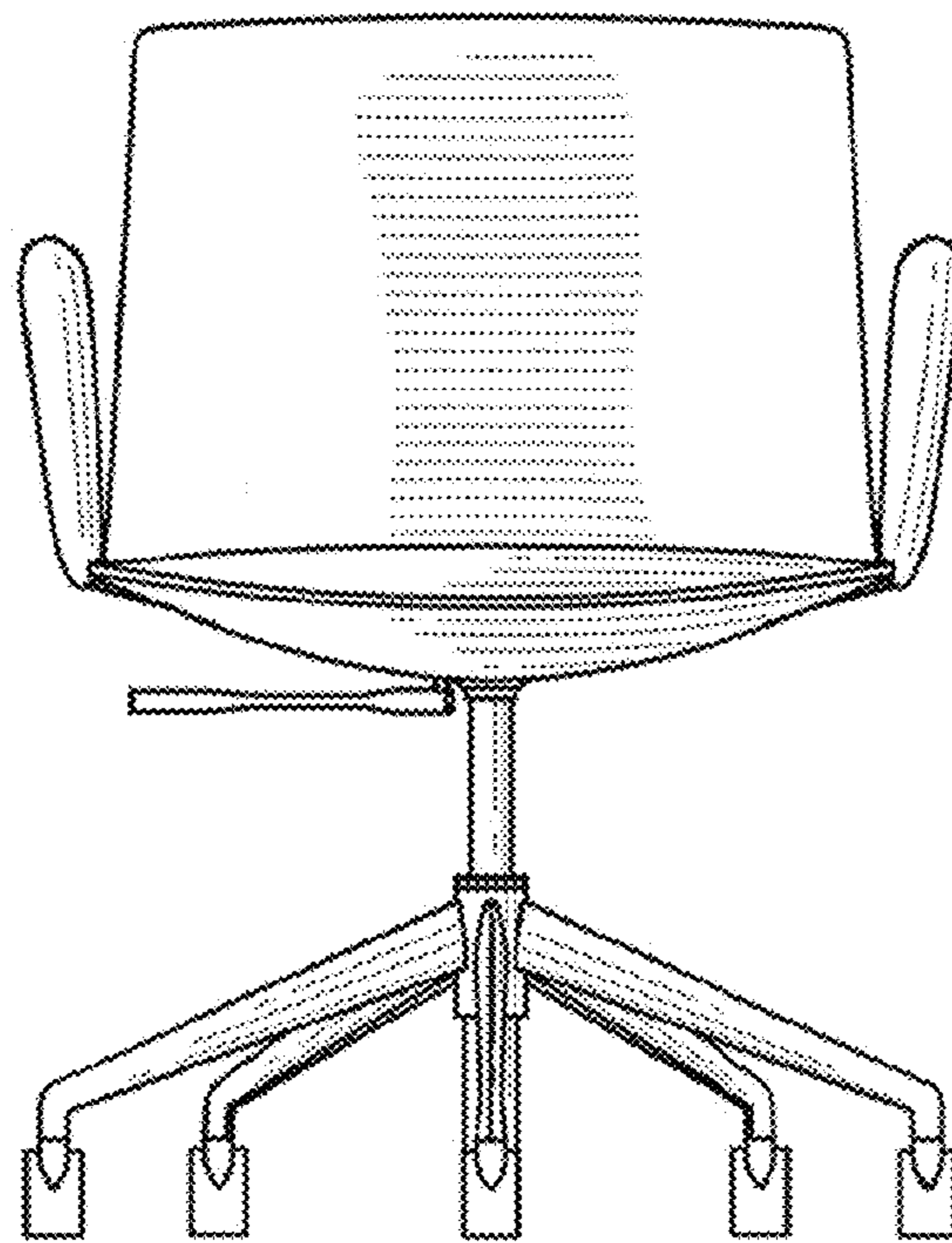


FIG. 3

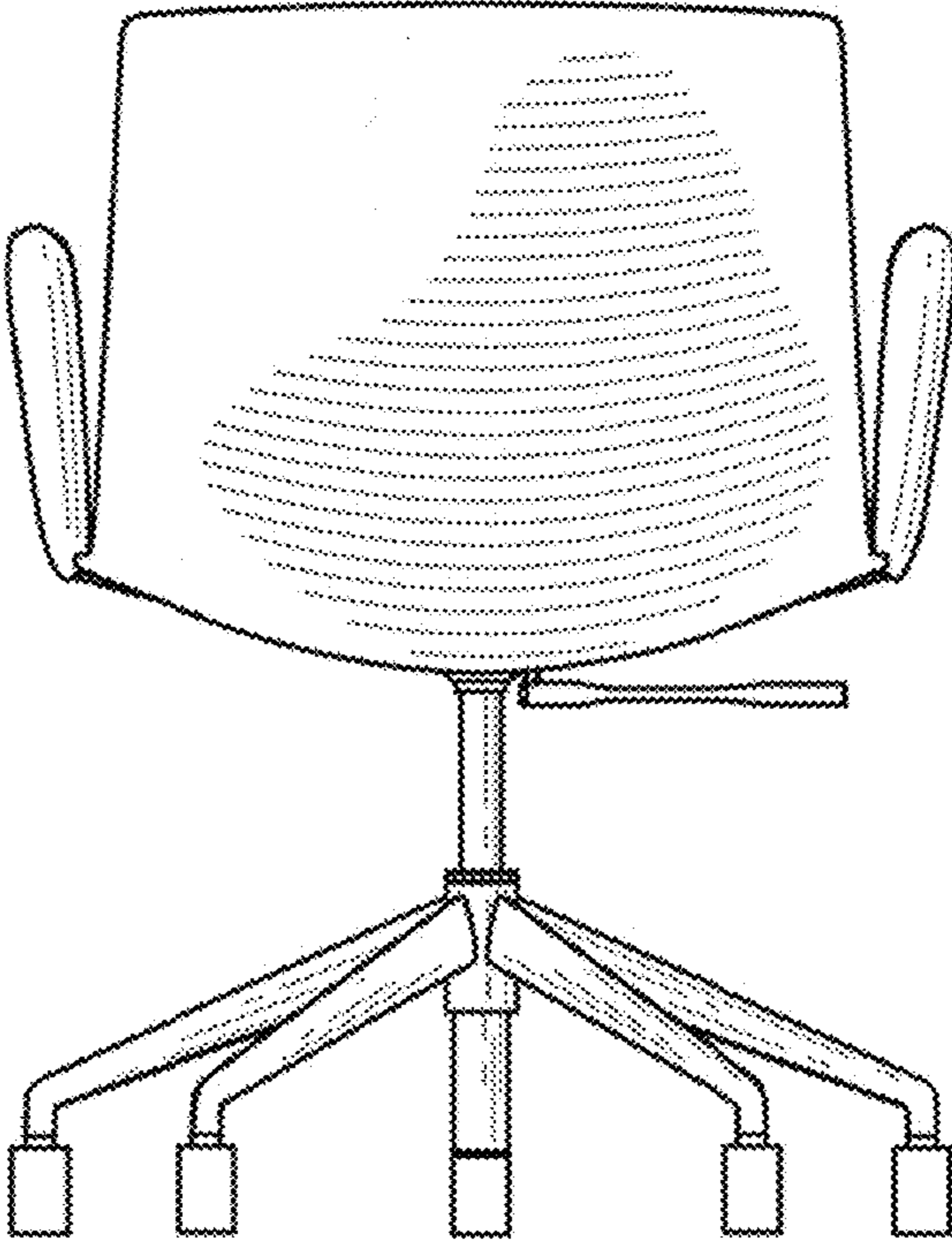


FIG. 4

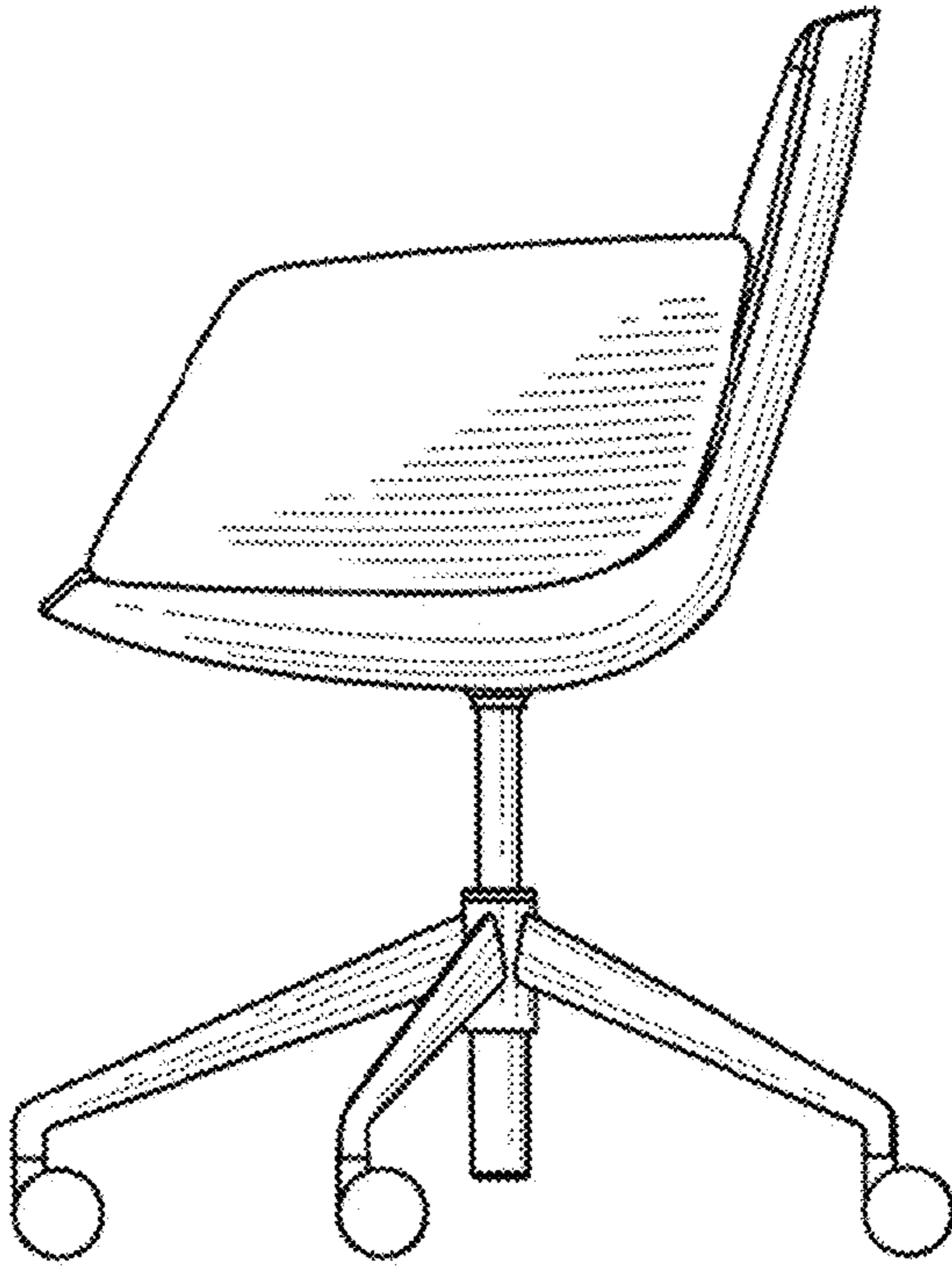


FIG. 5

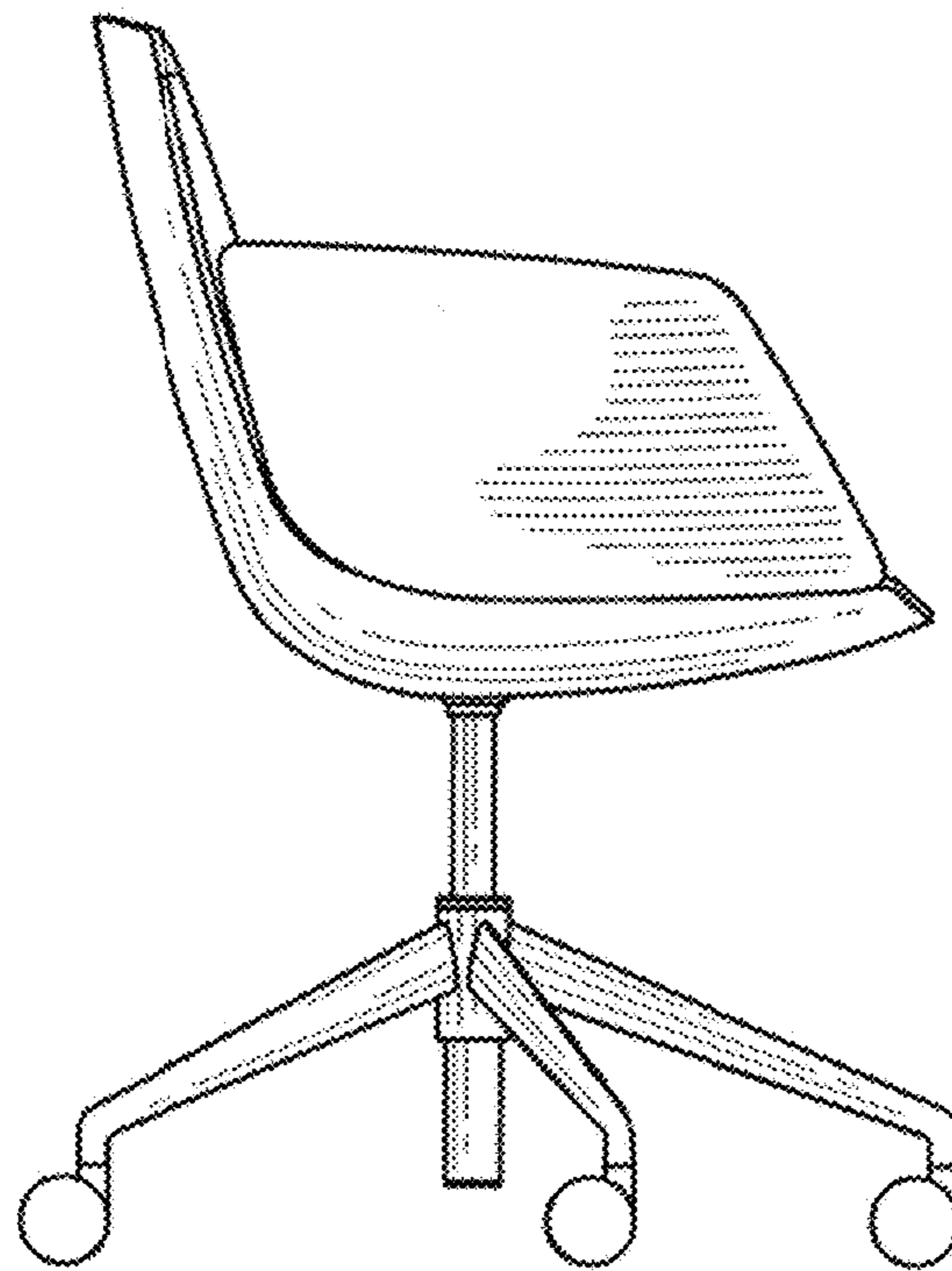


FIG. 6

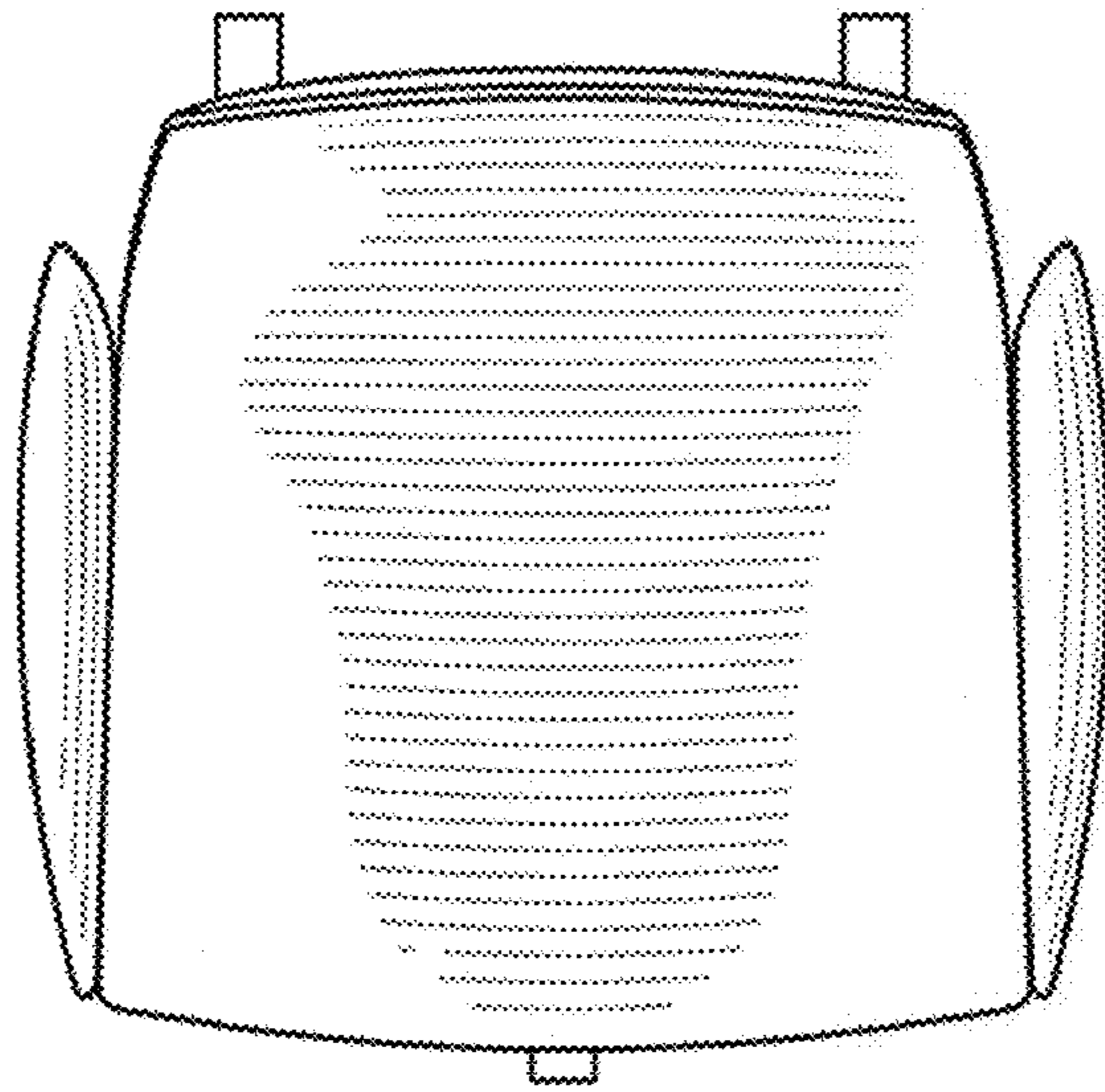


FIG. 7

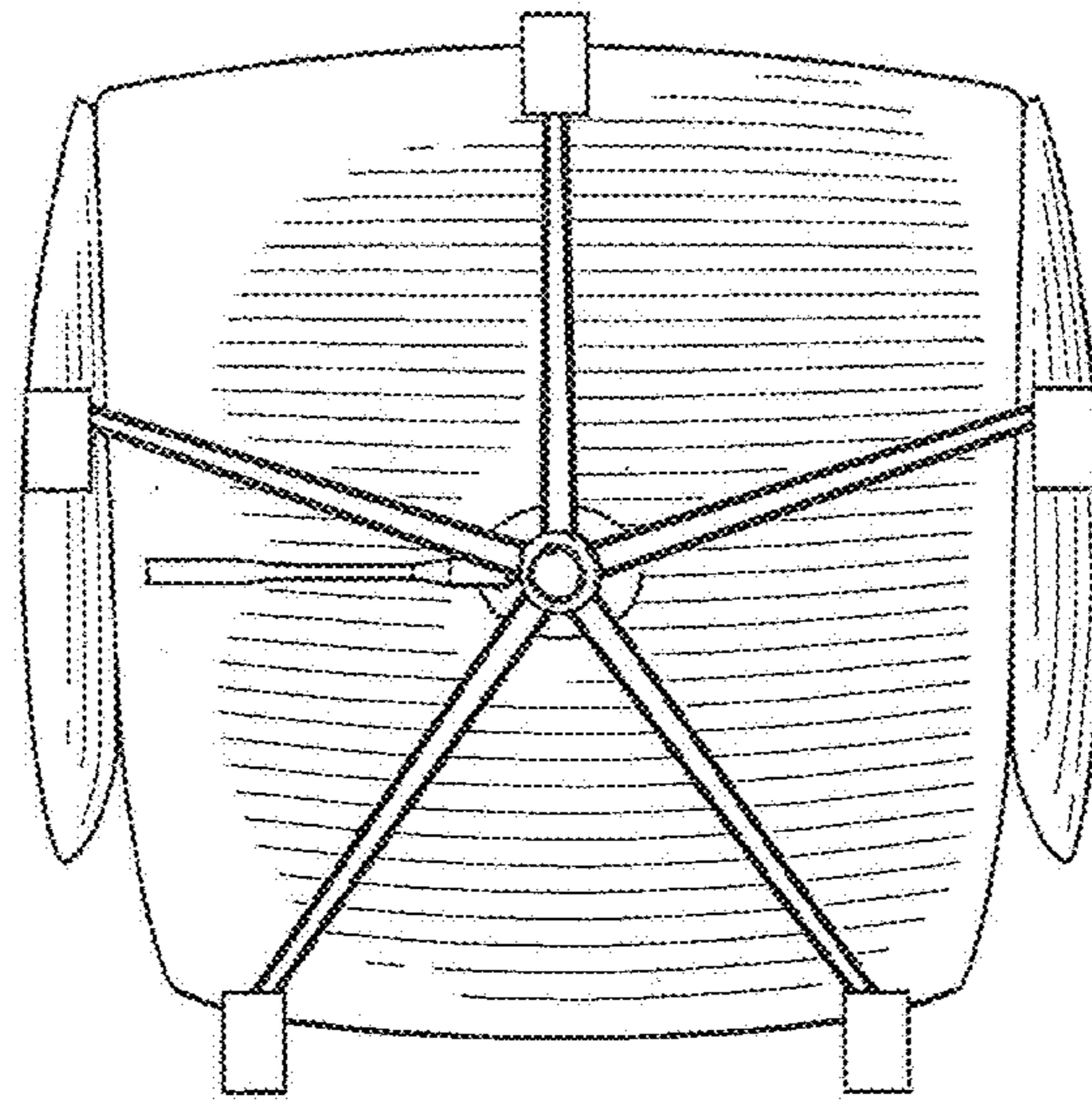


FIG.8