



US00D758748S

(12) **United States Design Patent**
Lade

(10) **Patent No.:** **US D758,748 S**
(45) **Date of Patent:** **** Jun. 14, 2016**

(54) **CHAIR**

(56) **References Cited**

(71) Applicant: **Ekornes ASA**, Ikornnes (NO)

(72) Inventor: **Jan Lade**, Straumgjerde (NO)

(73) Assignee: **EKORNES ASA**, Ikornnes (NO)

(**) Term: **14 Years**

(21) Appl. No.: **29/523,927**

(22) Filed: **Apr. 15, 2015**

(30) **Foreign Application Priority Data**

Oct. 17, 2014 (NO) DS20140910

(51) **LOC (10) Cl.** **06-01**

(52) **U.S. Cl.**
USPC **D6/365**

(58) **Field of Classification Search**

USPC D6/334-336, 364, 365, 366, 367, 716,
D6/716.1, 716.2, 716.3, 716.4

CPC A47C 1/032; A47C 3/18; A47C 4/028;
A47C 7/004; A47C 7/022; A47C 7/18;
A47C 7/24; B60N 2/4808

See application file for complete search history.

U.S. PATENT DOCUMENTS

| | | | |
|--------------|---------|----------------|--------|
| D191,705 S * | 11/1961 | Galloway | D6/365 |
| D364,283 S * | 11/1995 | Zaidman | D6/365 |
| D459,599 S * | 7/2002 | Zaidman | D6/365 |
| D467,746 S * | 12/2002 | Zaidman | D6/365 |
| D467,747 S * | 12/2002 | Zaidman | D6/365 |
| D468,119 S * | 1/2003 | Zaidman | D6/365 |
| D468,120 S * | 1/2003 | Zaidman | D6/365 |
| D531,420 S * | 11/2006 | Kita | D6/364 |
| D531,421 S * | 11/2006 | Egger | D6/365 |
| D555,376 S * | 11/2007 | Lade | D6/365 |
| D601,359 S * | 10/2009 | Wold | D6/365 |

* cited by examiner

Primary Examiner — Mimoso De

(74) *Attorney, Agent, or Firm* — Thomas Schneck

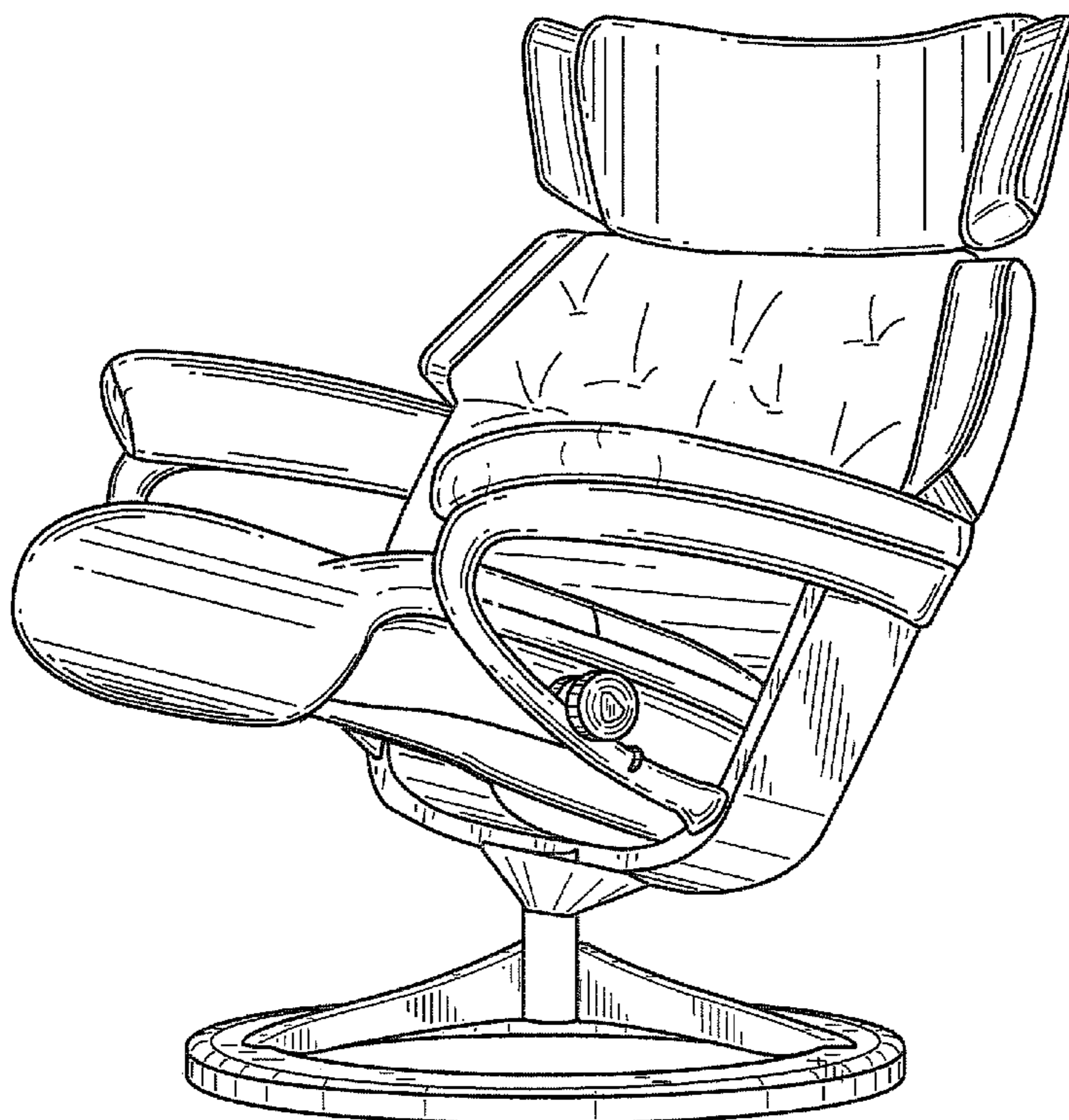
(57) **CLAIM**

I claim the ornamental design for a chair, as shown and described.

DESCRIPTION

FIG. 1 is a perspective view of a chair of my design;
FIG. 2 is a front view thereof;
FIG. 3 is a back view thereof;
FIG. 4 is a right side view thereof;
FIG. 5 is a left side view thereof;
FIG. 6 is a top view thereof; and,
FIG. 7 is a bottom view thereof.

1 Claim, 7 Drawing Sheets



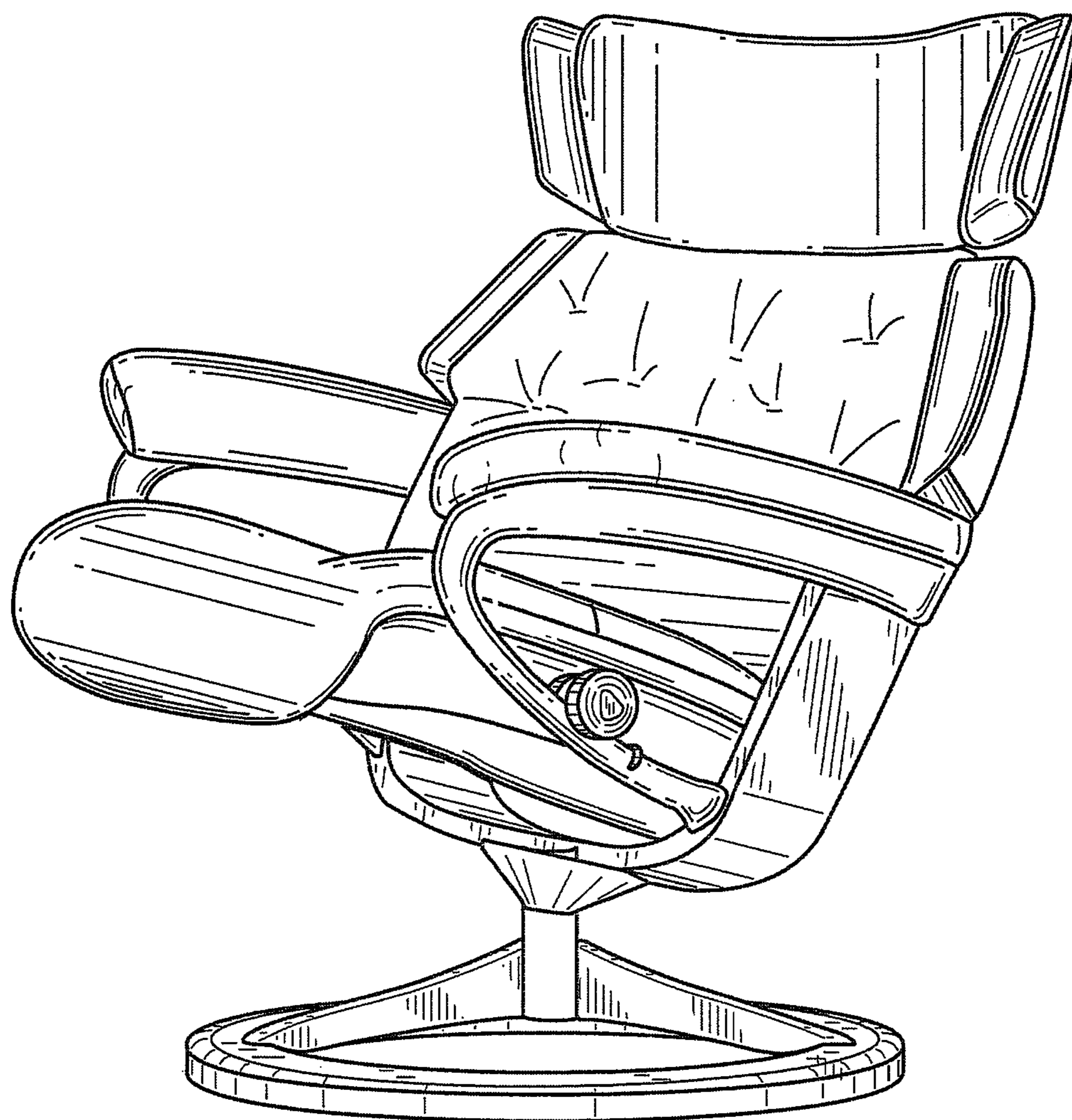


Fig. 1

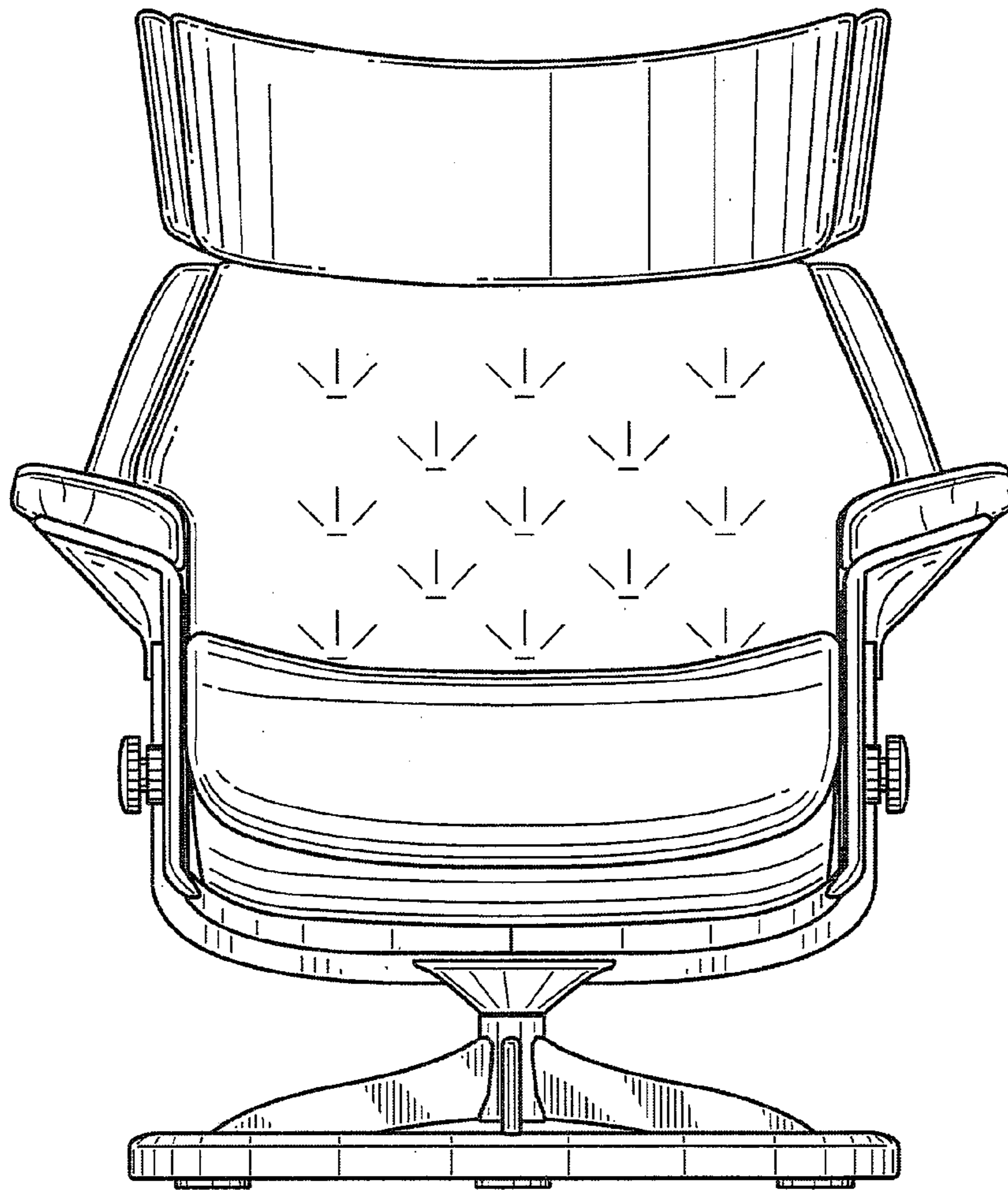


Fig. 2

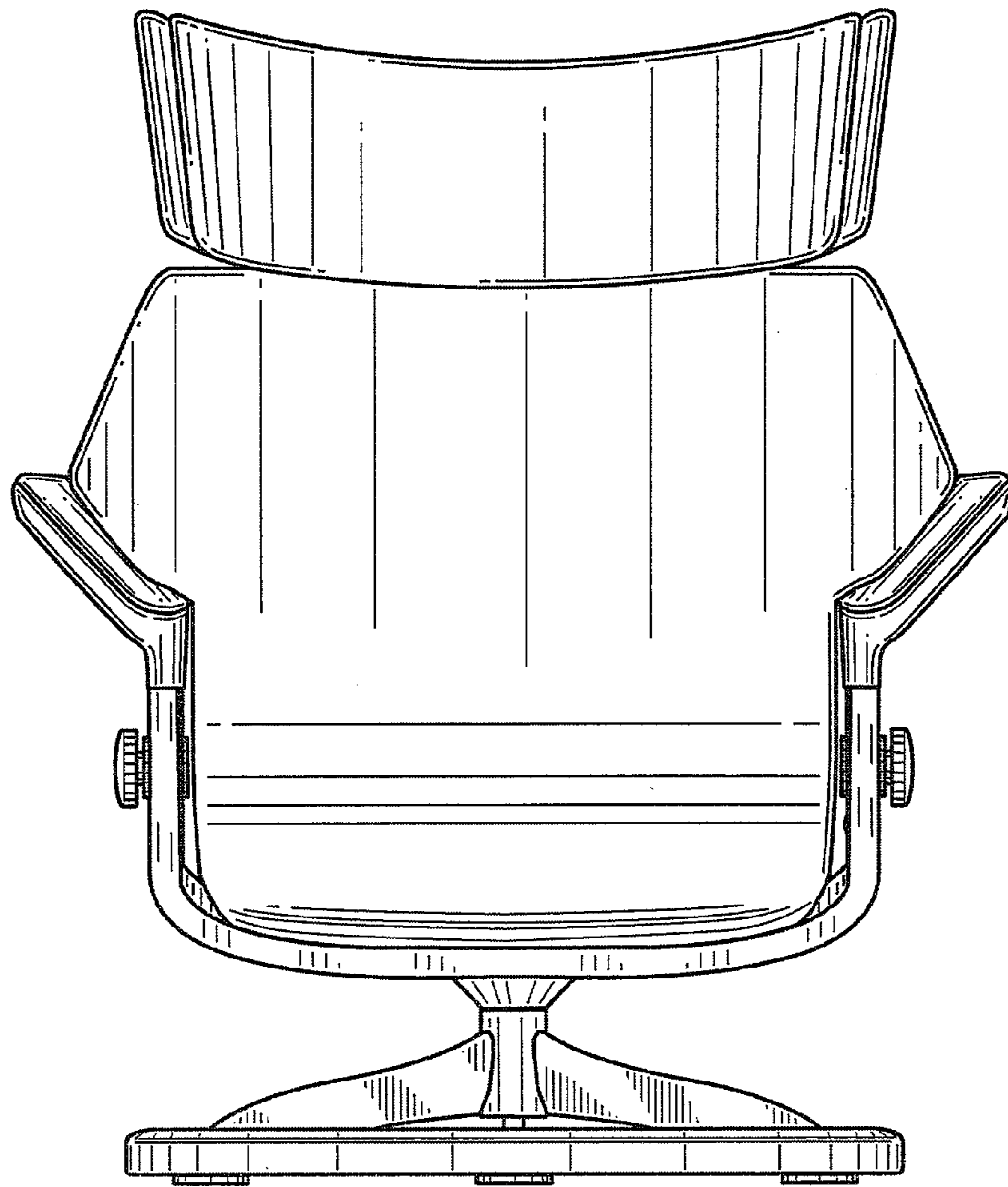


Fig. 3

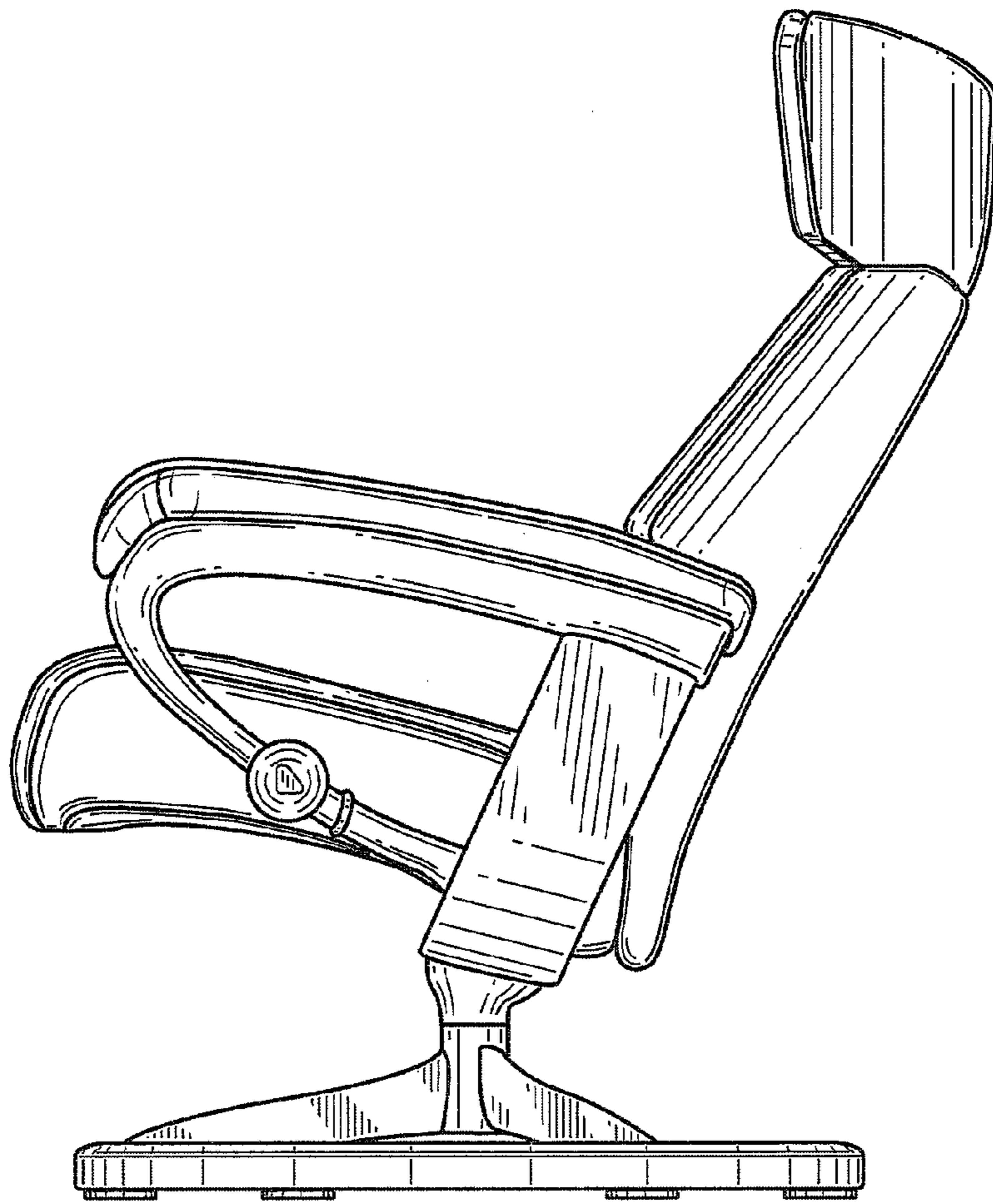


Fig. 4

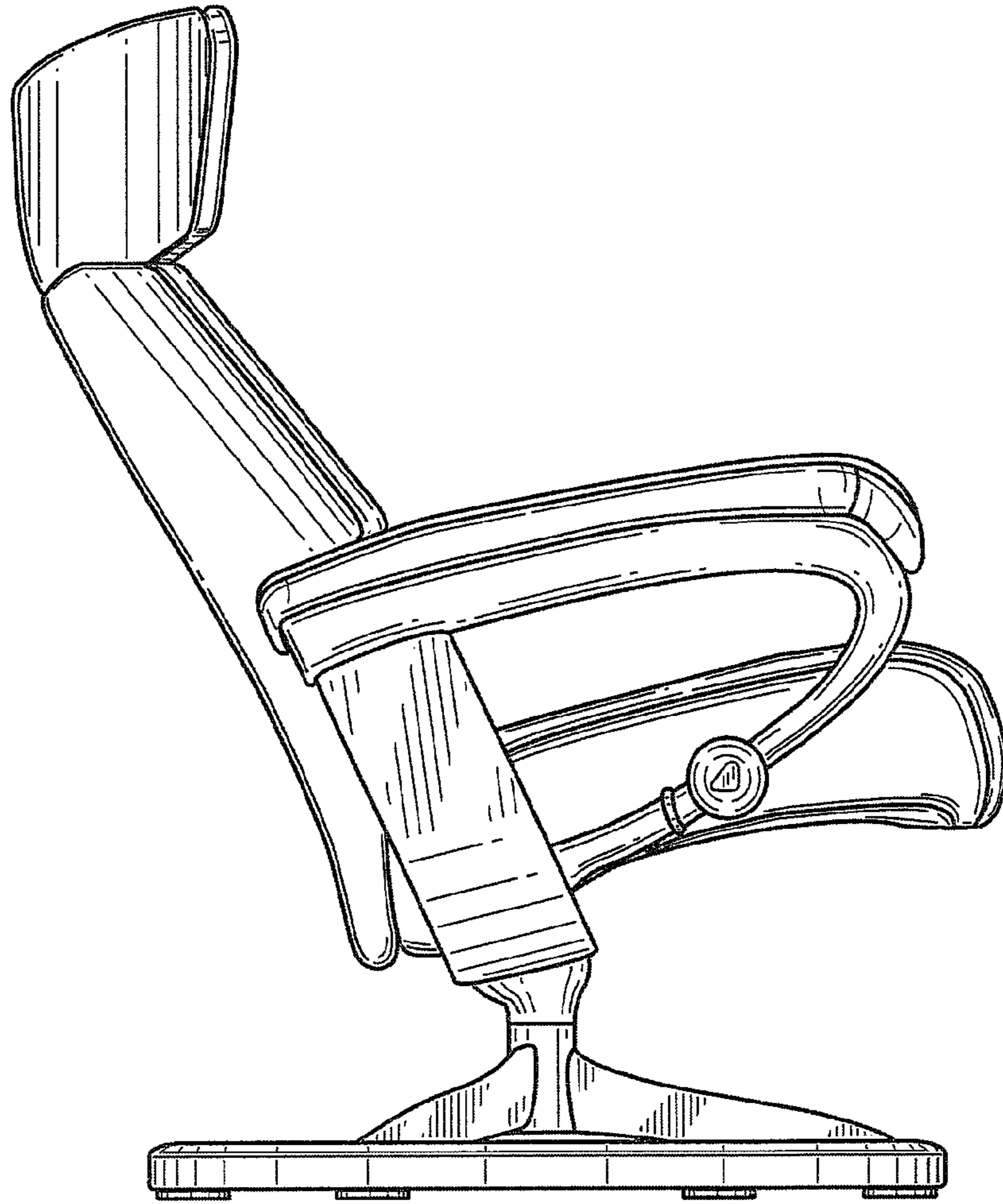


Fig. 5

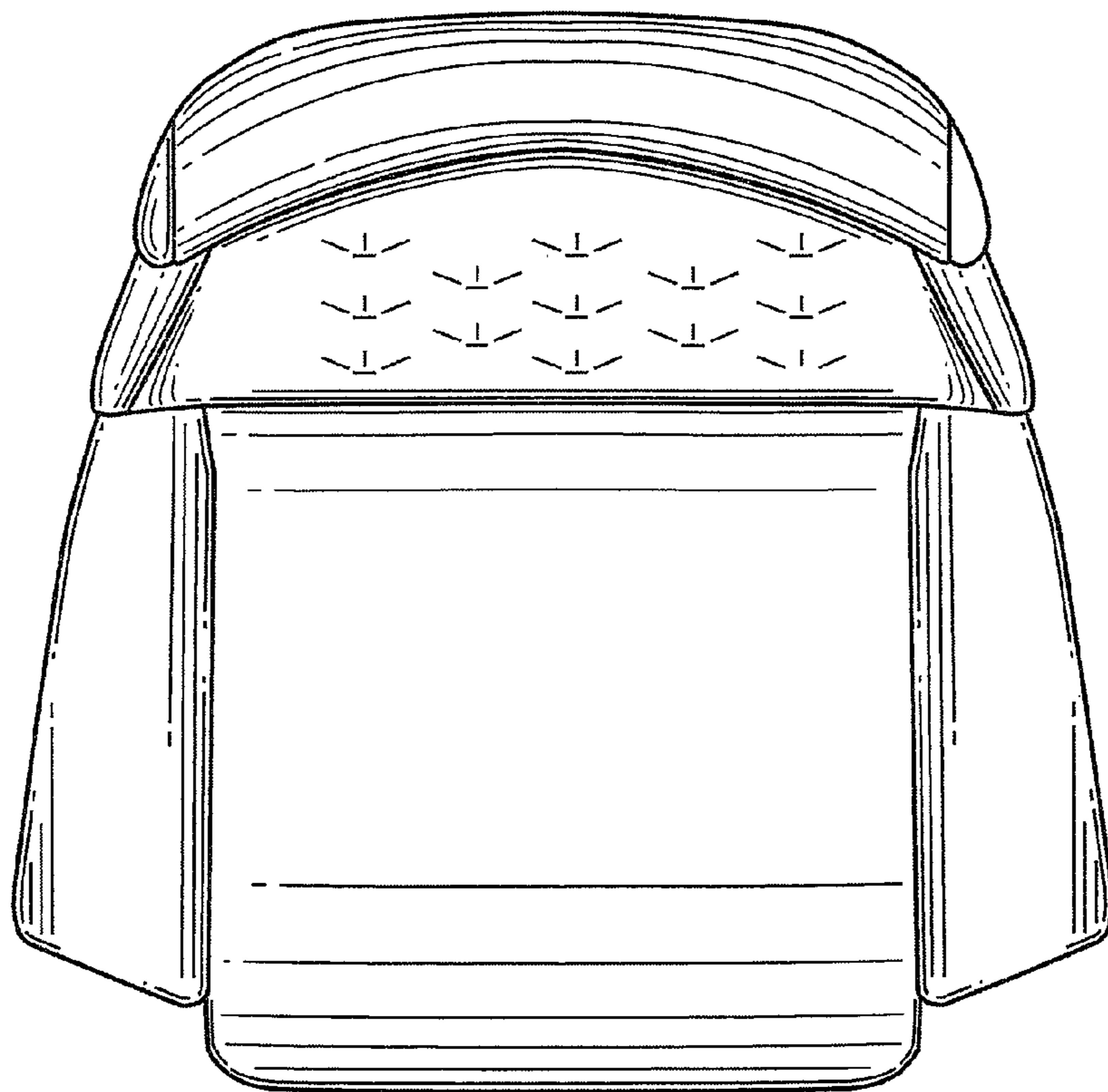


Fig. 6

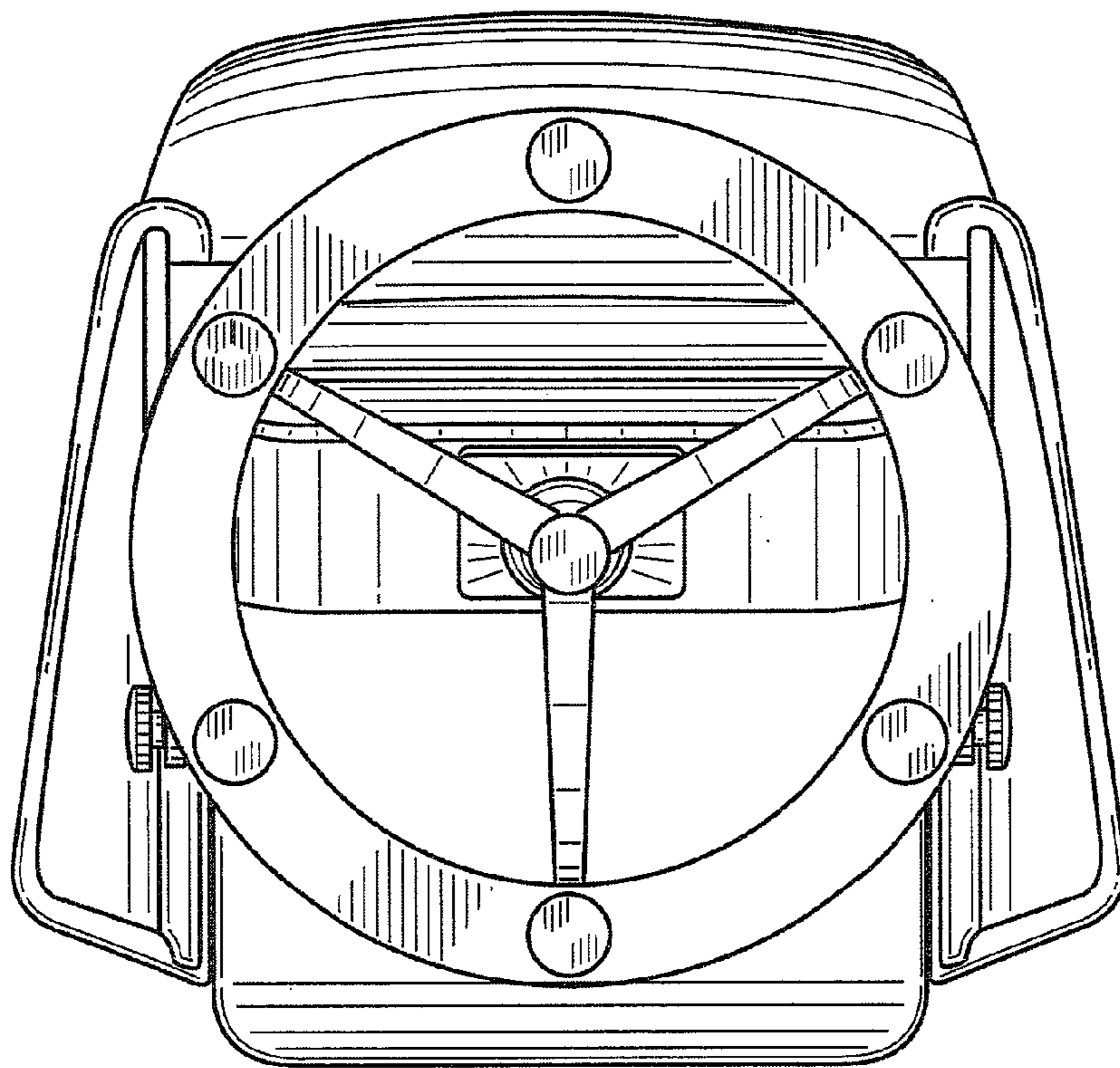


Fig. 7