



US00D758747S

(12) **United States Design Patent**  
**Lenz et al.**

(10) **Patent No.:** **US D758,747 S**

(45) **Date of Patent:** **\*\* Jun. 14, 2016**

(54) **SEAT**

(71) Applicant: **ongo GmbH**, Stuttgart (DE)

(72) Inventors: **Eberhard Lenz**, Stuttgart (DE); **Stefan Lippert**, Stuttgart (DE); **Stefan Trinkle**, Stuttgart (DE)

(73) Assignee: **ongo GmbH**, Stuttgart (DE)

(\*\*) Term: **14 Years**

(21) Appl. No.: **29/511,601**

(22) Filed: **Dec. 11, 2014**

(30) **Foreign Application Priority Data**

Jun. 11, 2014 (EM) ..... 002480319-0007

(51) **LOC (10) Cl.** ..... **06-01**

(52) **U.S. Cl.**  
USPC ..... **D6/353**; D6/349

(58) **Field of Classification Search**  
USPC ..... D6/333, 335, 340, 344, 347, 349-355,  
D6/358, 360, 363-365, 381, 406.6, 596,  
D6/601, 648, 662.1, 675, 677, 685-687,  
D6/688.15, 688.27, 690, 691, 691.8,  
D6/692.1-692.3, 695.1, 708.16, 708.2,  
D6/709, 709.2, 709.22, 711, 716-716.7,  
D6/717

CPC ..... A47C 1/14; A47C 3/00; A47C 3/04;  
A47C 3/14; A47C 3/16; A47C 3/18; A47C  
3/20; A47C 3/36; A47C 4/00; A47C 4/28;  
A47C 4/30; A47C 4/38; A47C 4/42; A47C  
4/48; A47C 5/02; A47C 5/04; A47C 5/043;  
A47C 7/00-7/006; A47C 7/02; A47C 9/00;  
A47C 9/02; A47C 9/002; A47C 9/007;  
A47C 9/025; A47C 9/10; A47C 11/00;  
A47C 12/00; A47C 13/00; A47C 16/02;  
A47B 7/00-7/02; A47B 45/00; A47B  
47/04-47/045; A47B 3/00; A47B 3/02;  
A47B 3/04; A47B 3/12

See application file for complete search history.

(56) **References Cited**

U.S. PATENT DOCUMENTS

D271,352	S	*	11/1983	De Boer	.....	D6/349
D454,438	S	*	3/2002	Volkman	.....	D6/349
D467,745	S	*	12/2002	Ryan	.....	D6/364
D509,076	S	*	9/2005	Beck	.....	D6/349
D586,573	S	*	2/2009	Saitou	.....	D6/349
D641,981	S	*	7/2011	Wu	.....	D6/353
D666,425	S	*	9/2012	Link	.....	D6/349
D694,044	S	*	11/2013	Copeland	.....	D6/656.15
D697,328	S	*	1/2014	Keen	.....	D6/353
D720,948	S	*	1/2015	Gonzalez	.....	D6/656.13
2005/0151403	A1	*	7/2005	Volkman	.....	A47C 9/027 297/258.1

\* cited by examiner

*Primary Examiner* — Vy Koenig

(74) *Attorney, Agent, or Firm* — Symbus Law Group, LLC;  
Clifford D. Hyra

(57) **CLAIM**

The ornamental design for a seat, as shown and described.

**DESCRIPTION**

FIG. 1 is a front, top and right sides perspective view of a seat showing our new design.

FIG. 2 is a front view of a seat.

FIG. 3 is a rear view of a seat.

FIG. 4 is a left side view of a seat.

FIG. 5 is a right side view of a seat.

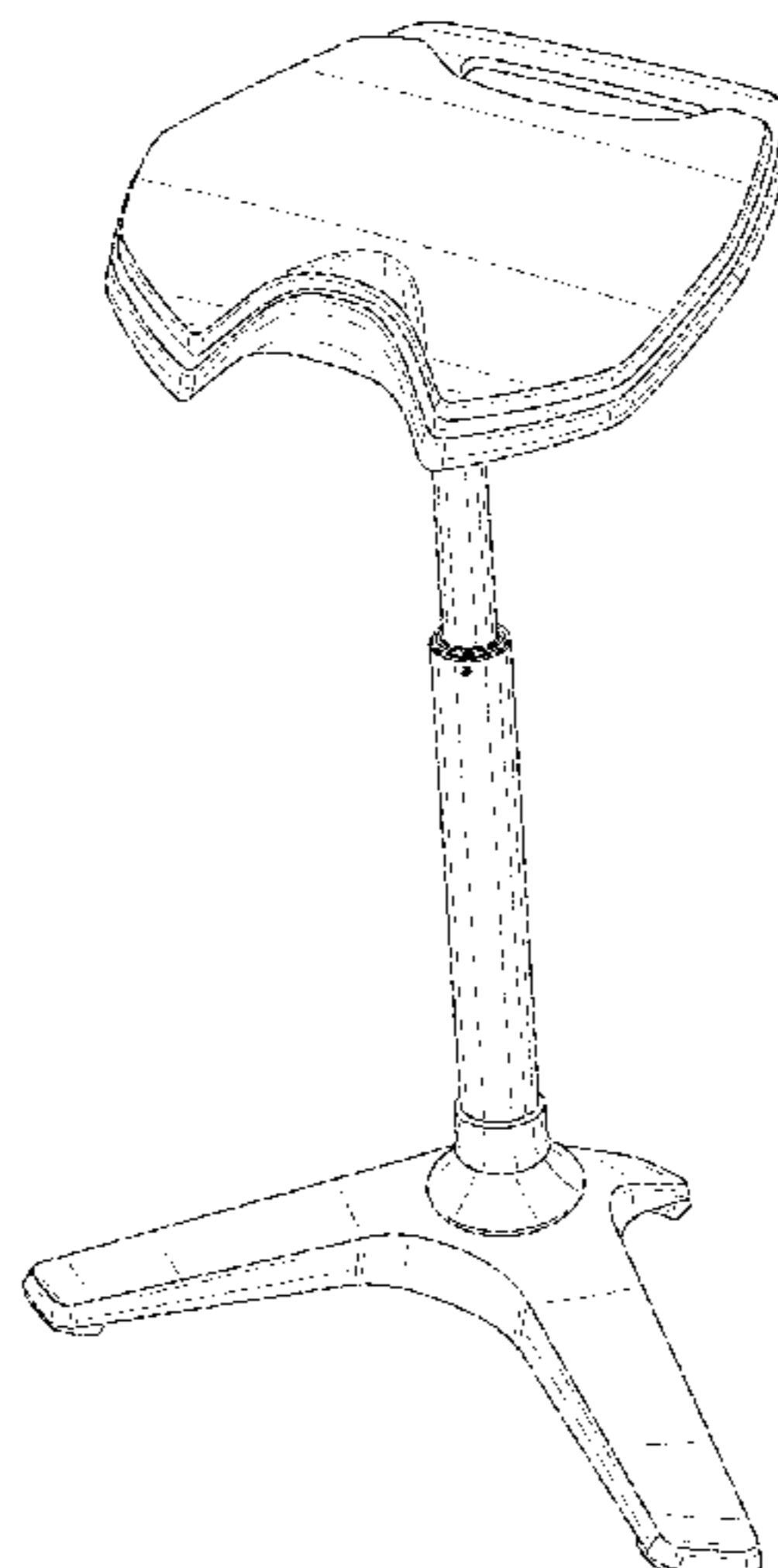
FIG. 6 is a top view of a seat.

FIG. 7 is a bottom view of a seat; and,

FIG. 8 is an exploded view of a seat, showing the front, top and right sides.

The broken lines shown in FIG. 7 represent portions of the seat that form no part of the claimed design. The broken lines shown in FIG. 8 indicate the positional relationship between the exploded portion of the seat and the remainder of the seat, and form no part of the claimed design.

**1 Claim, 8 Drawing Sheets**



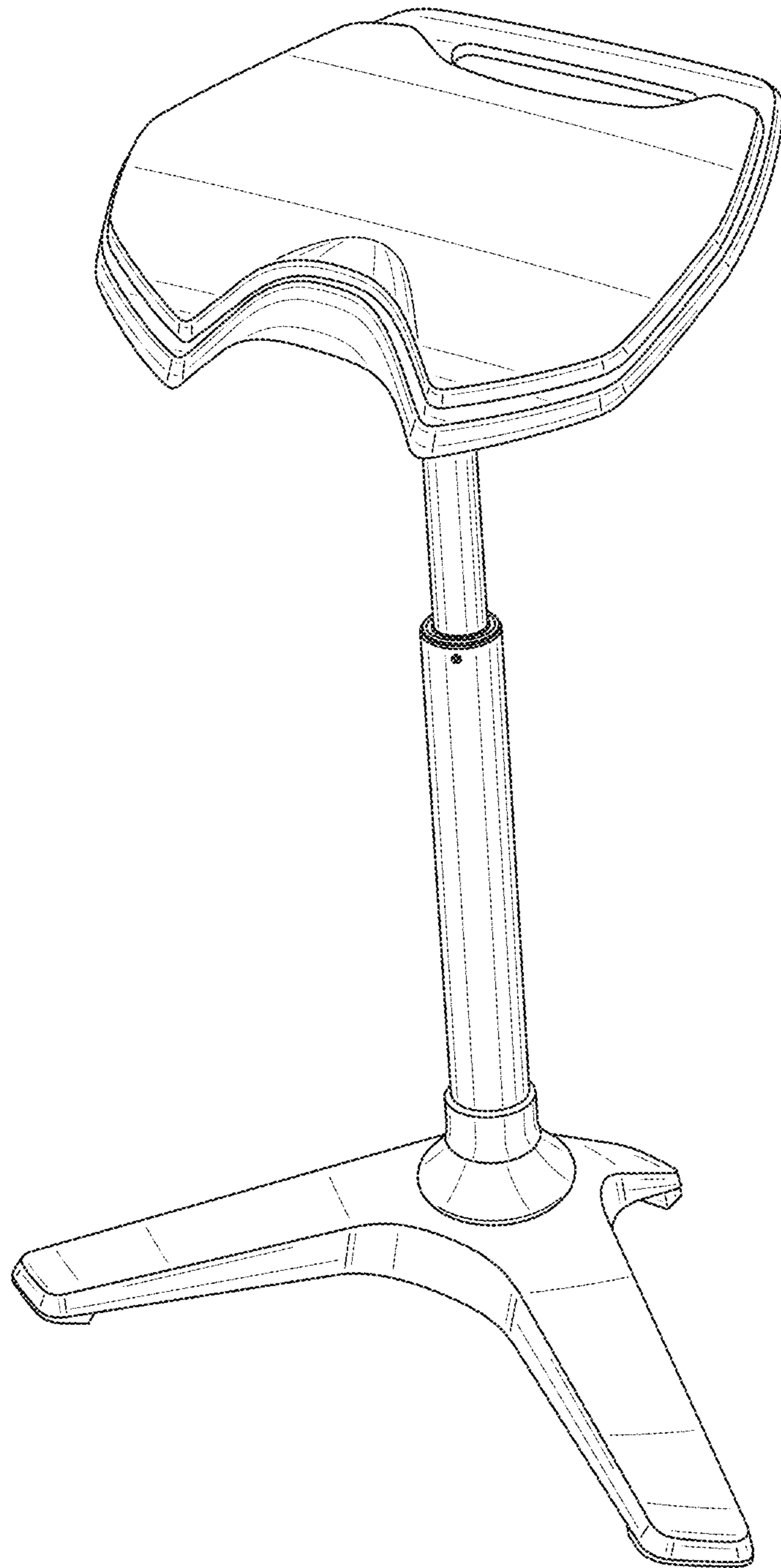


FIG. 1

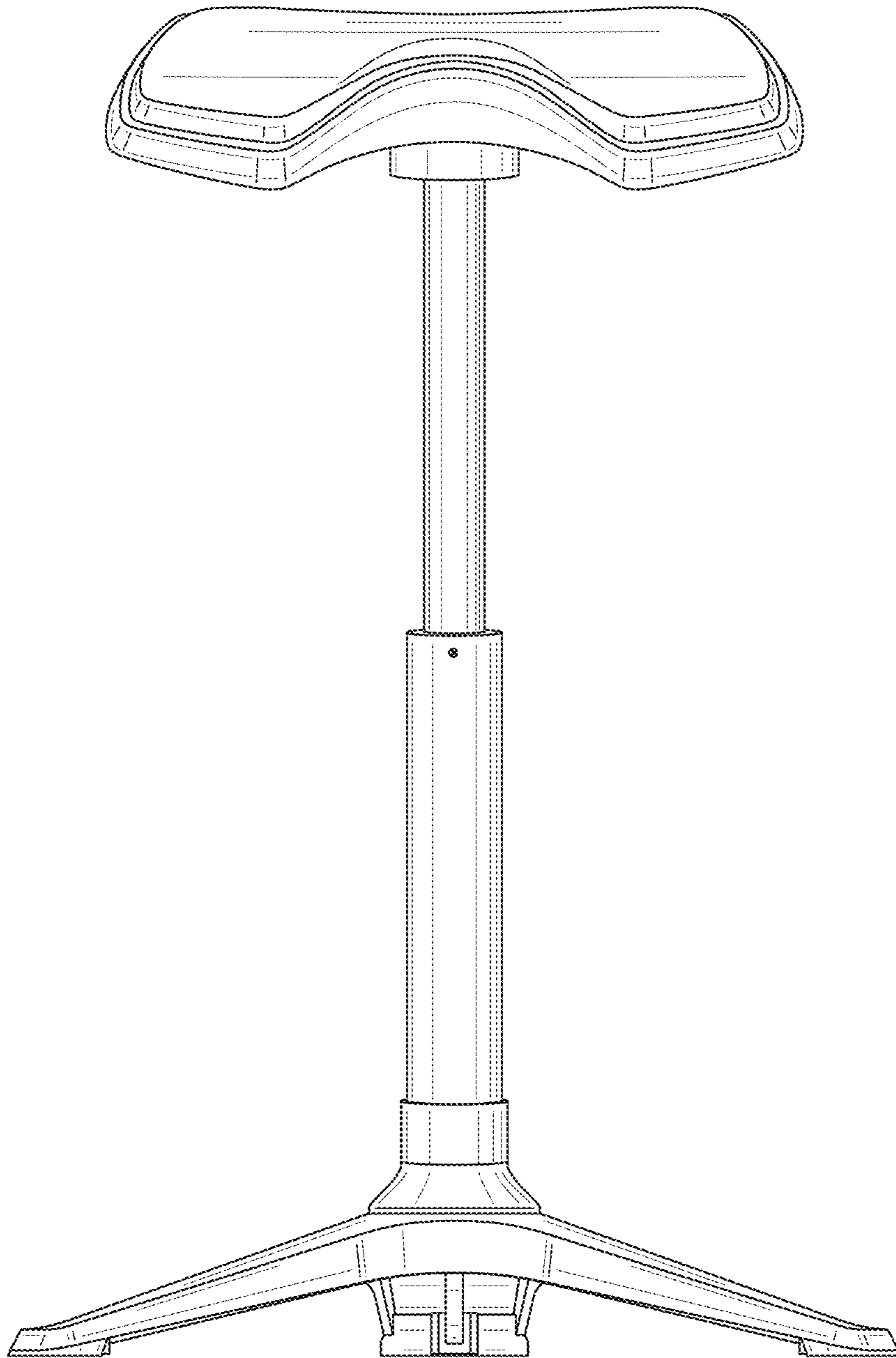


FIG. 2

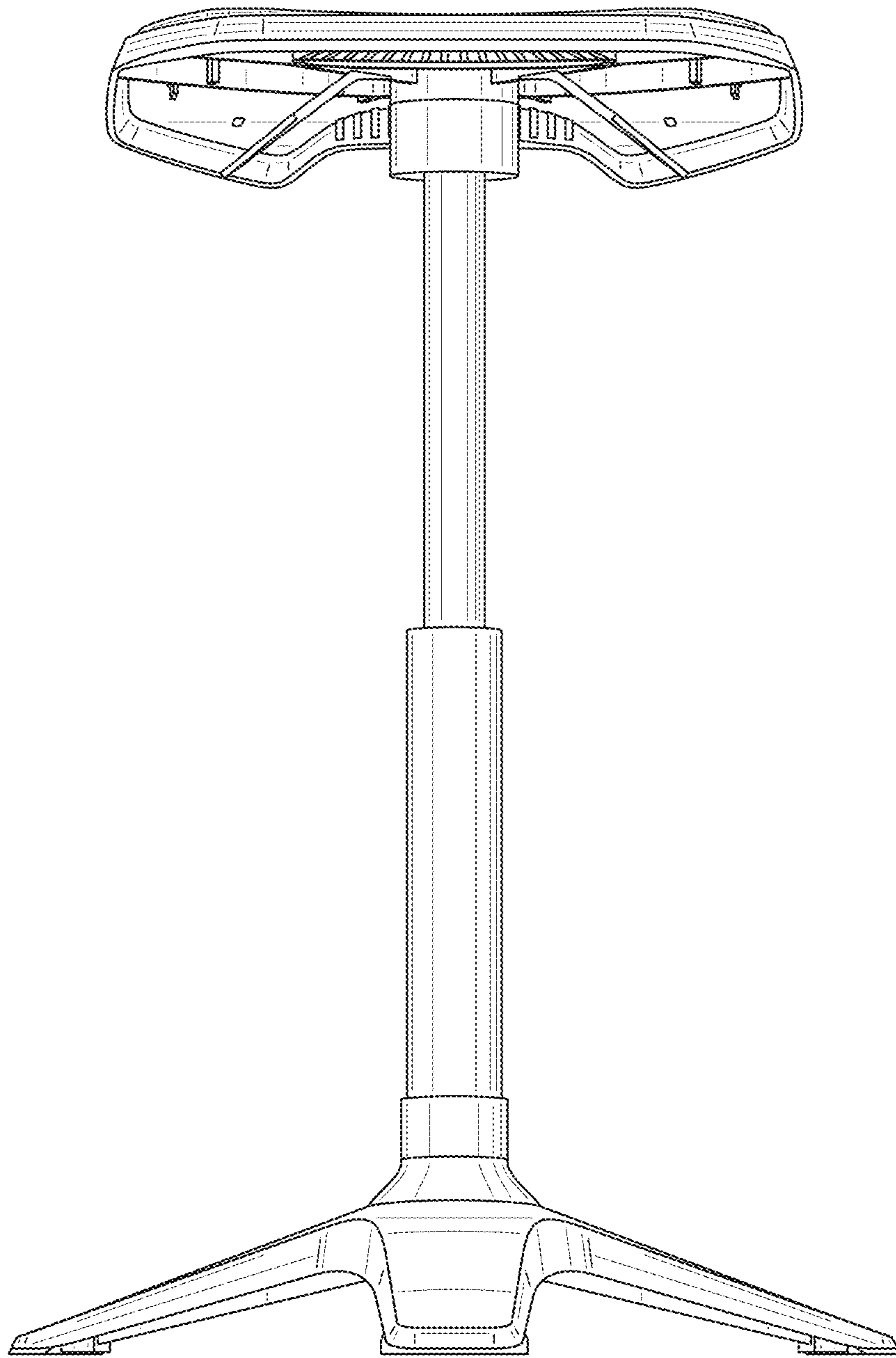


FIG. 3

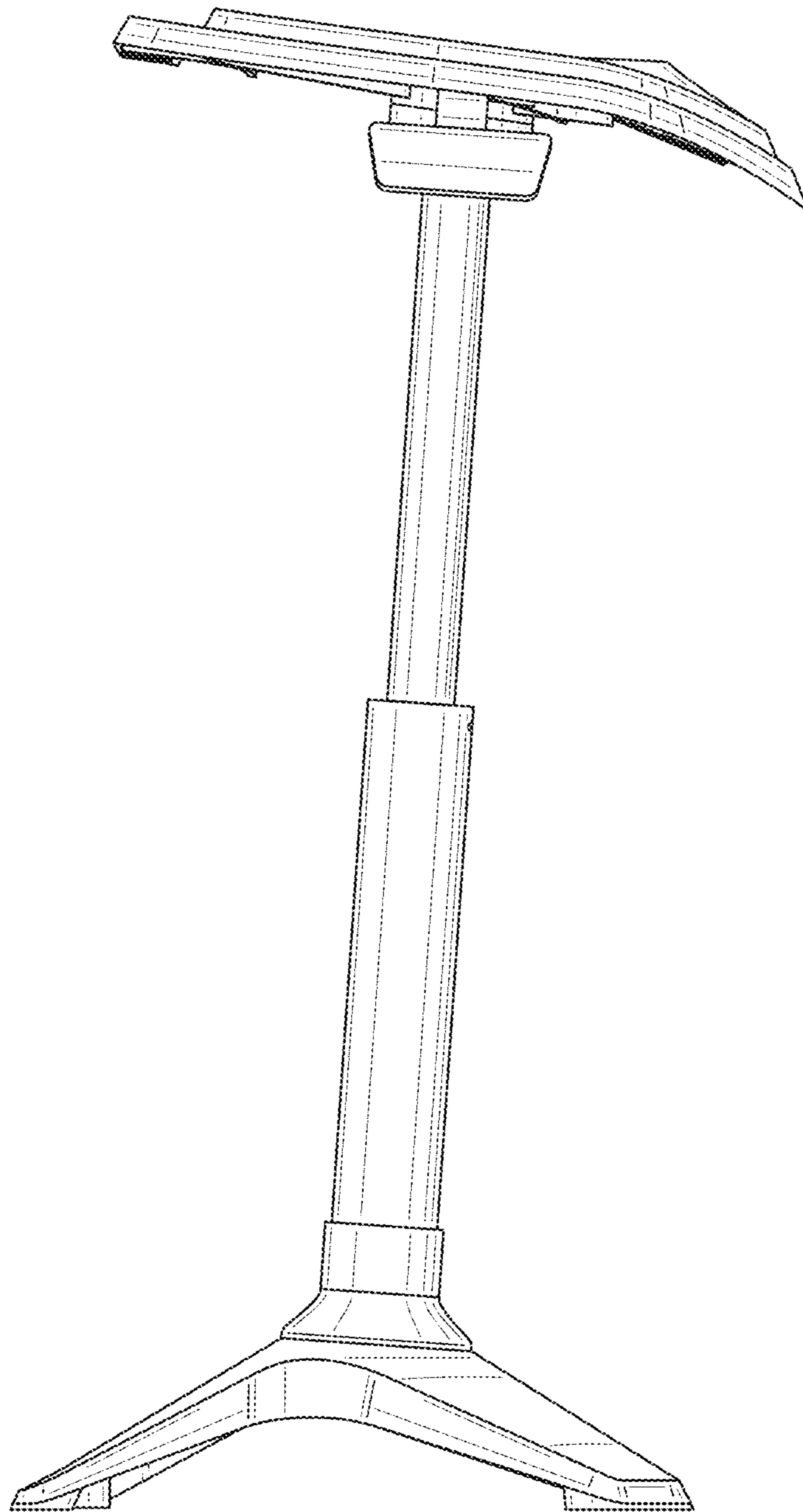


FIG. 4

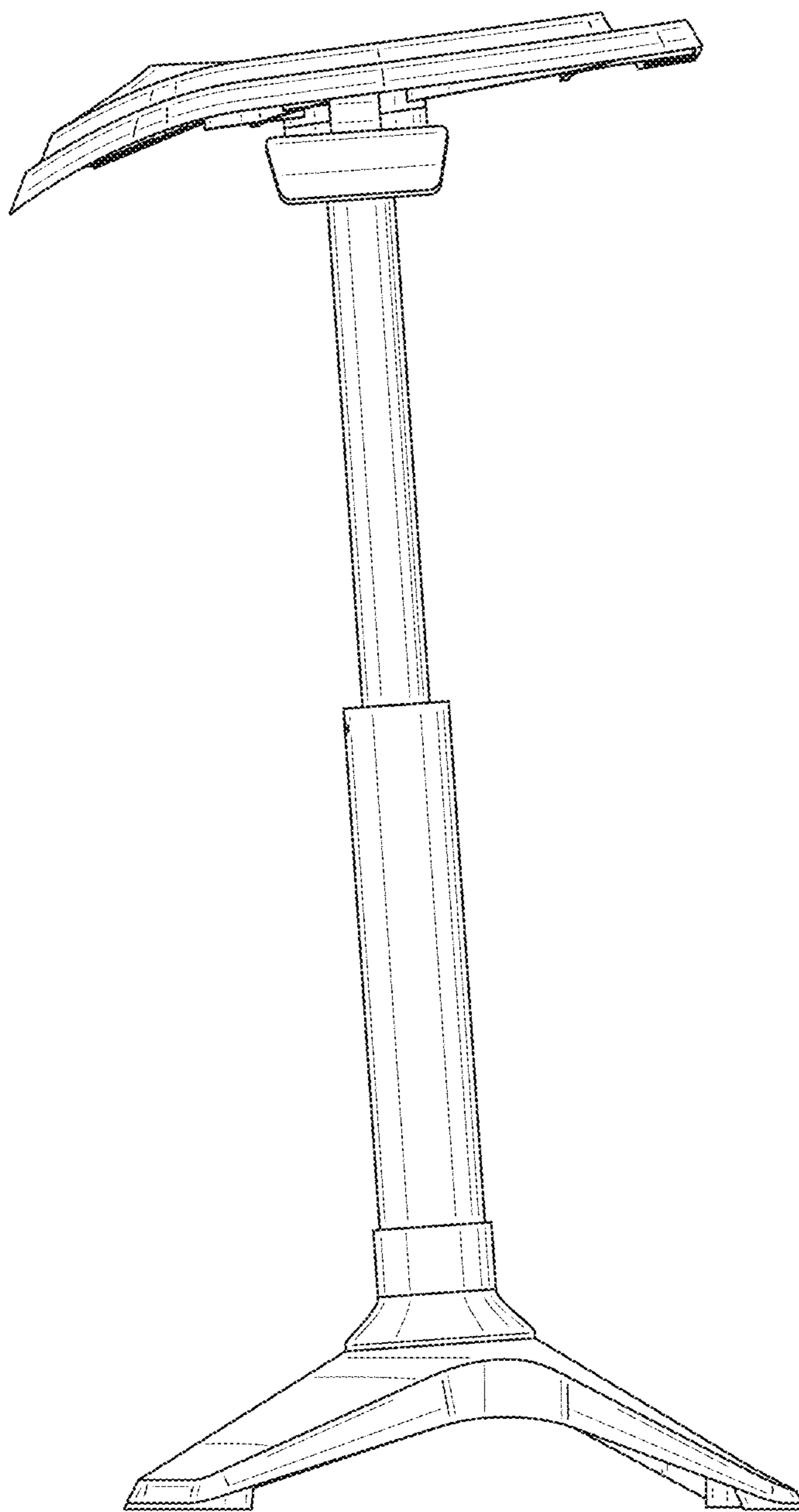


FIG. 5

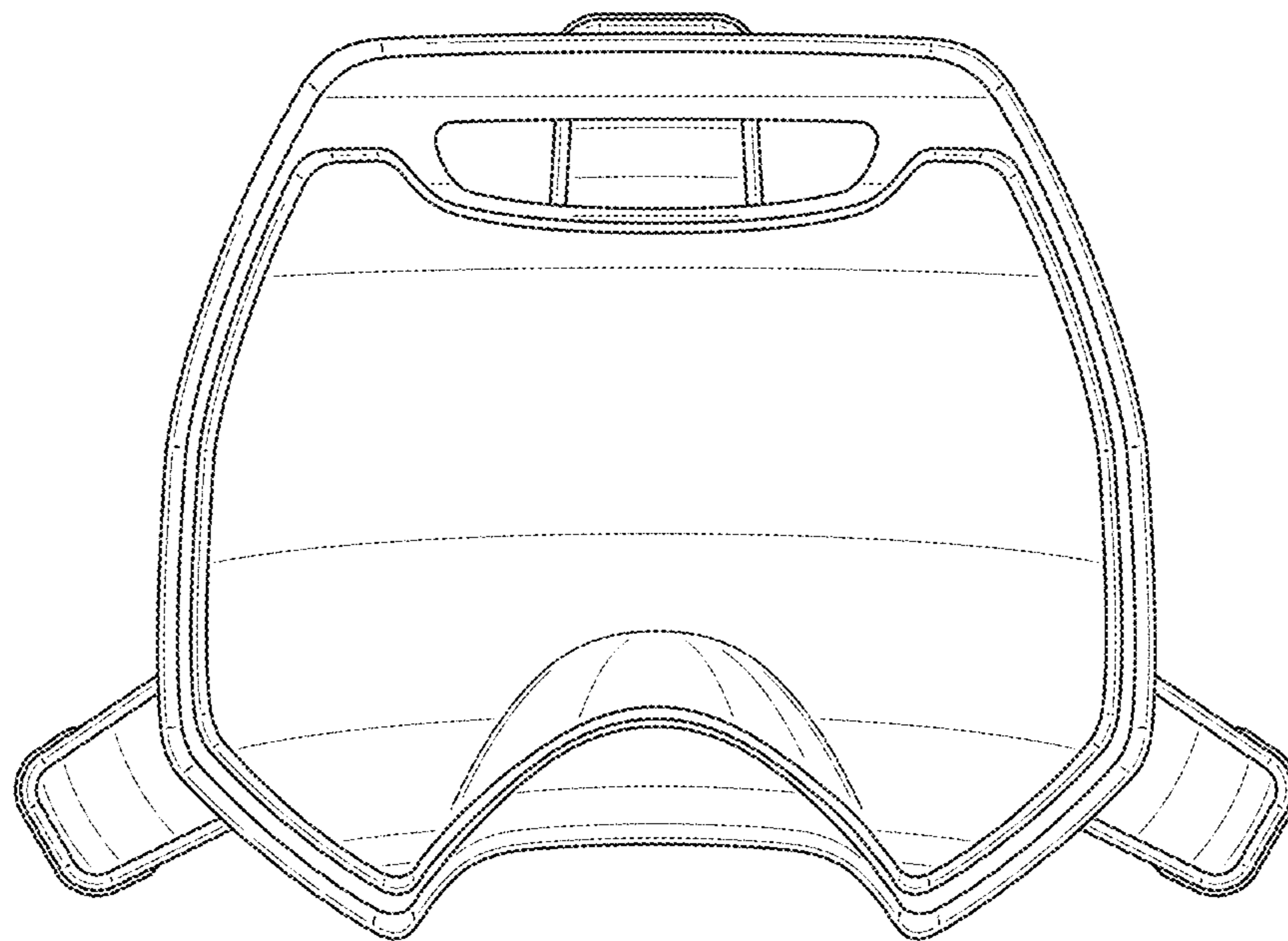


FIG. 6

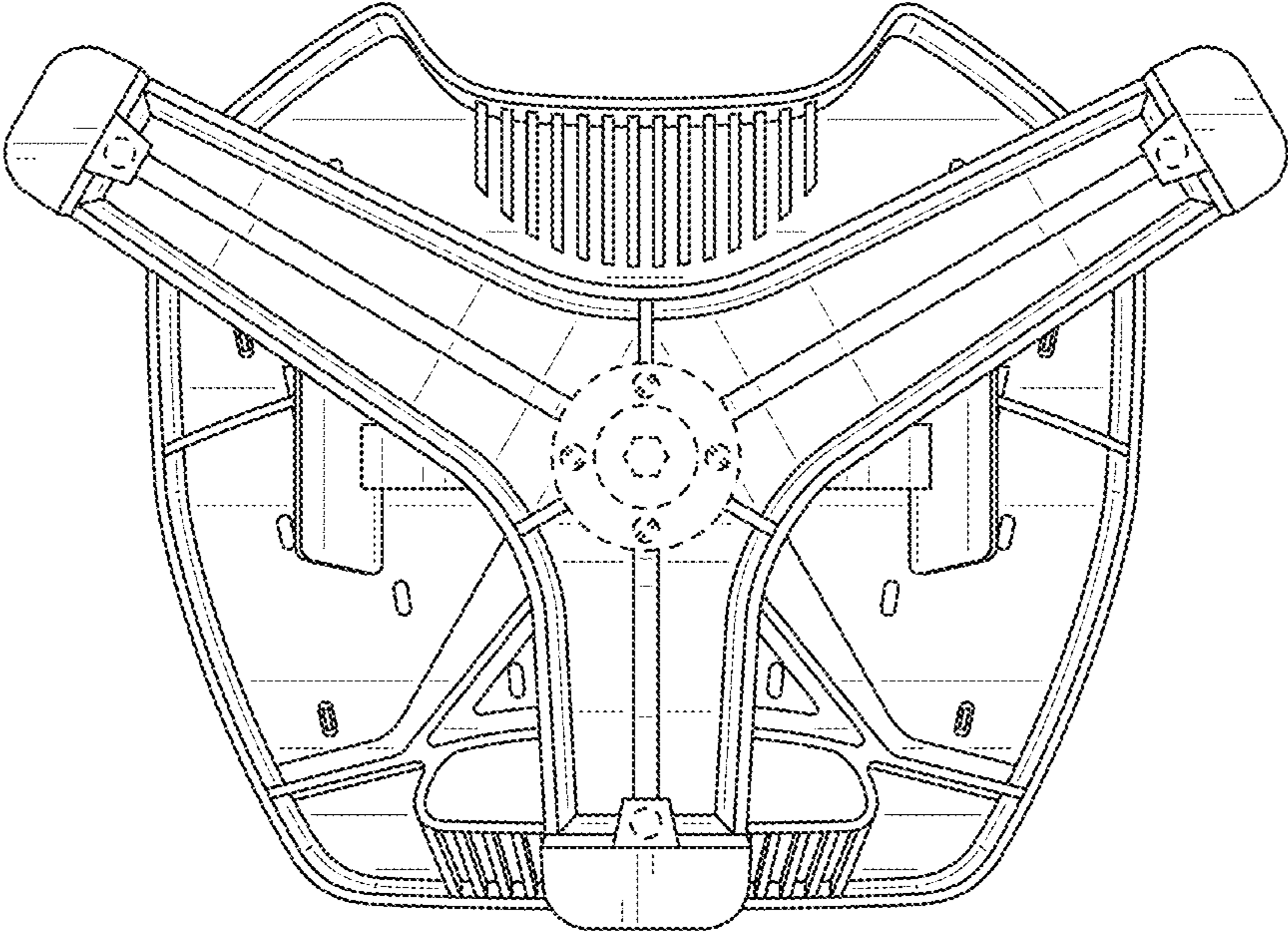


FIG. 7



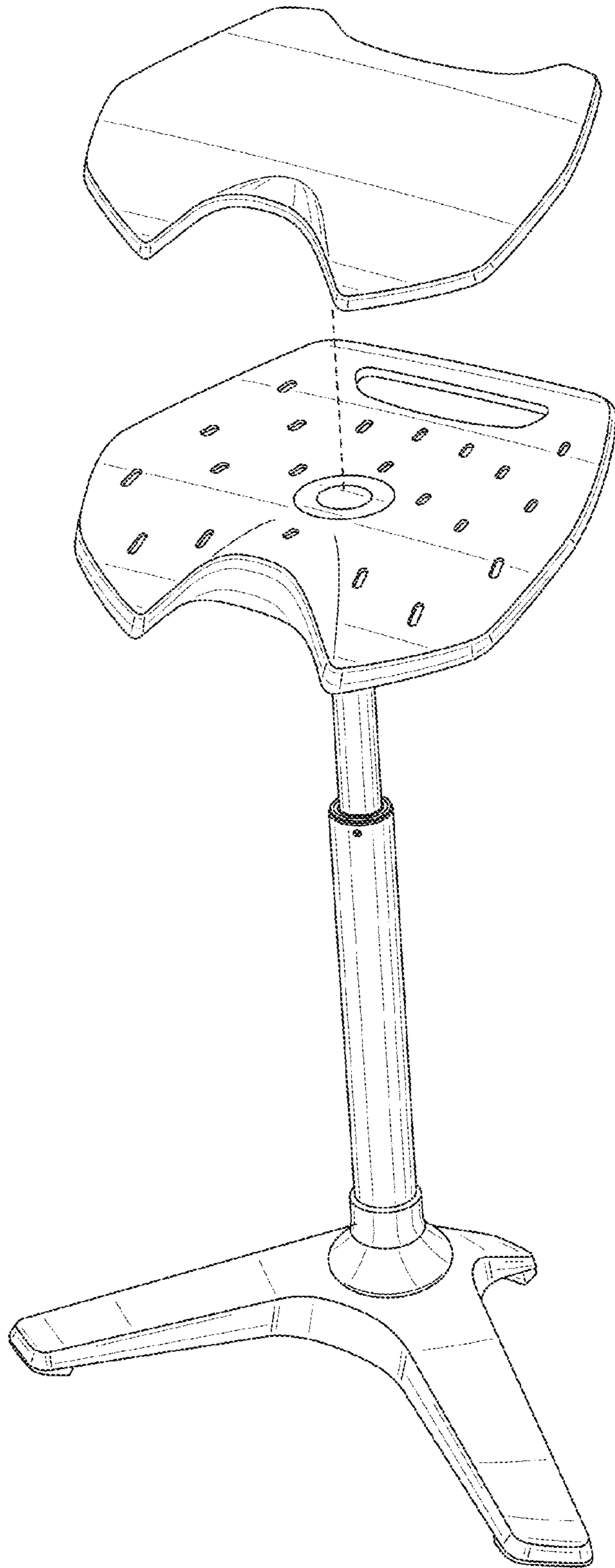


FIG. 8