



US00D758737S

(12) **United States Design Patent**
Tan et al.

(10) **Patent No.:** **US D758,737 S**
(45) **Date of Patent:** **** Jun. 14, 2016**

(54) **NAIL POLISH BOTTLE**

(71) Applicants: **Ana Katrina Tan**, Bakersfield, CA (US); **Khoa Duong**, Bakersfield, CA (US)

(72) Inventors: **Ana Katrina Tan**, Bakersfield, CA (US); **Khoa Duong**, Bakersfield, CA (US)

(73) Assignee: **Glam and Glits Nail Design, Inc.**, Bakersfield, CA (US)

(**) Term: **14 Years**

(21) Appl. No.: **29/499,385**

(22) Filed: **Aug. 14, 2014**

(51) **LOC (10) Cl.** **04-01**

(52) **U.S. Cl.**
USPC **D4/116; D9/503**

(58) **Field of Classification Search**
USPC D4/116, 121, 127, 135; D9/436, 454, D9/500, 503, 504, 516, 520, 529, 549, 558, D9/723, 725; 132/74.5; 206/15.2, 15.3, 206/581, 823; 215/227, 228; 401/118-123, 401/125-127, 129, 130
CPC A45D 29/00; A45D 29/11; A45D 29/12; A45D 34/00; A45D 34/042; A45D 34/043; A45D 34/045; A45D 34/046; A45D 40/262; A45D 40/265; A45D 40/267; A45D 2034/00; A45D 2034/002; A45D 2200/10; A45D 2200/1009; A45D 2200/1018; B65D 51/32
See application file for complete search history.

(56) **References Cited**

U.S. PATENT DOCUMENTS

D255,648 S 7/1980 Bolter
D259,252 S 5/1981 Acker

(Continued)

FOREIGN PATENT DOCUMENTS

CN 302627680 S * 11/2013
CN 302708377 S * 1/2014
FR 2578403 A * 9/1986

OTHER PUBLICATIONS

CN 3520352, Registered Design, (Luo Yizhong), Apr. 19, 2006 [online], [retrieved on Sep. 5, 2015]. Retrieved from the Design Database of the State Intellectual Property Office using the Internet: <http://epub.sipo.gov.cn>.*

(Continued)

Primary Examiner — Keli L Hill

(74) *Attorney, Agent, or Firm* — Lapple Ubell IP Law, LLP; Matthew Lapple

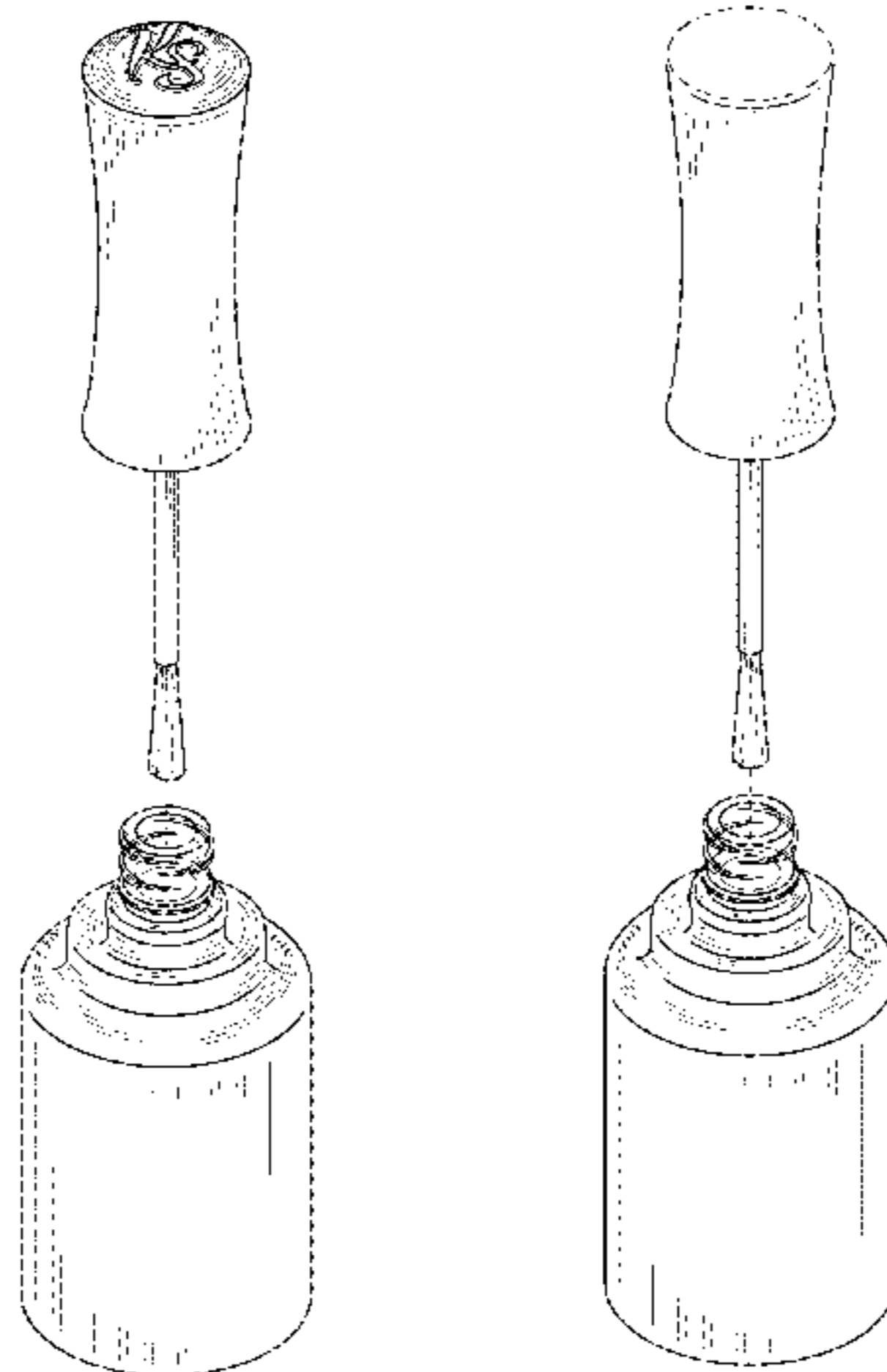
(57) **CLAIM**

The ornamental design for a nail polish bottle, as shown and described.

DESCRIPTION

FIG. 1 is a perspective view of a nail polish bottle; FIG. 2 is a front view of the nail polish bottle of FIG. 1; FIG. 3 is a back view of the nail polish bottle of FIG. 1; FIG. 4 is a right side view of the nail polish bottle of FIG. 1; FIG. 5 is a left side view of the nail polish bottle of FIG. 1; FIG. 6 is a top view of the nail polish bottle of FIG. 1; FIG. 7 is a bottom view of the nail polish bottle of FIG. 1; FIG. 8 is an exploded perspective view of the nail polish bottle of FIG. 1; FIG. 9 is a perspective view of a second embodiment of a nail polish bottle; FIG. 10 is a front view of the nail polish bottle of FIG. 9; FIG. 11 is a back view of the nail polish bottle of FIG. 9; FIG. 12 is a right side view of the nail polish bottle of FIG. 9; FIG. 13 is a left side view of the nail polish bottle of FIG. 9; FIG. 14 is a top view of the nail polish bottle of FIG. 9; FIG. 15 is a bottom view of the nail polish bottle of FIG. 9; and, FIG. 16 is an exploded perspective view of the nail polish bottle of FIG. 9. The broken lines that are immediately adjacent the surface shading represent the bounds of the claim and form no part thereof. The broken lines showing the bottom surfaces in FIGS. 7 and 15 illustrate portions of the bottle that form no part of the claimed design while the broken line showing the top surface of the cap in FIGS. 9-14 illustrates a portion of the bottle that forms no part of the second embodiment.

1 Claim, 10 Drawing Sheets



(56)

References Cited

U.S. PATENT DOCUMENTS

4,781,484 A * 11/1988 Goncalves A45D 34/045
401/129
D363,374 S 10/1995 Arntsen
D363,375 S 10/1995 Arntsen
D399,658 S 10/1998 Nosella
D429,154 S * 8/2000 Chang D9/503
6,966,716 B2 * 11/2005 Pink A45D 34/045
401/126
D548,084 S * 8/2007 Dittmer et al. D9/504
D561,027 S * 2/2008 Nguyen D9/500
D581,287 S 11/2008 Tran et al.
D604,167 S 11/2009 Tran et al.
D677,569 S 3/2013 Lemaitre
D677,583 S 3/2013 In
D730,189 S 5/2015 Haile

D732,893 S * 6/2015 Bronwasser et al. D7/510
2003/0196672 A1 * 10/2003 Kirita et al. A45D 40/267
132/218
2010/0098479 A1 * 4/2010 Brantenaar et al. B65D 51/32
401/129
2011/0170936 A1 * 7/2011 Kim A45D 34/045
401/129

OTHER PUBLICATIONS

Images of publicly available prior art Nail Polish Bottles, specifically: OPI Nail Lacquer; Essie Nail Gel and Polish; Nanacoco Nail Polish; Orly GelFX Gel Nail Lacquer; Orly Nail Lacquer (silver dimpled cap); Orly Nail Lacquer (black ridged cap); Creative Nail Design (“CND”) Shellac; LeChat Perfect Match; Color Club Nail Lacquer; and Angelacq nail and gel lacquer.

* cited by examiner

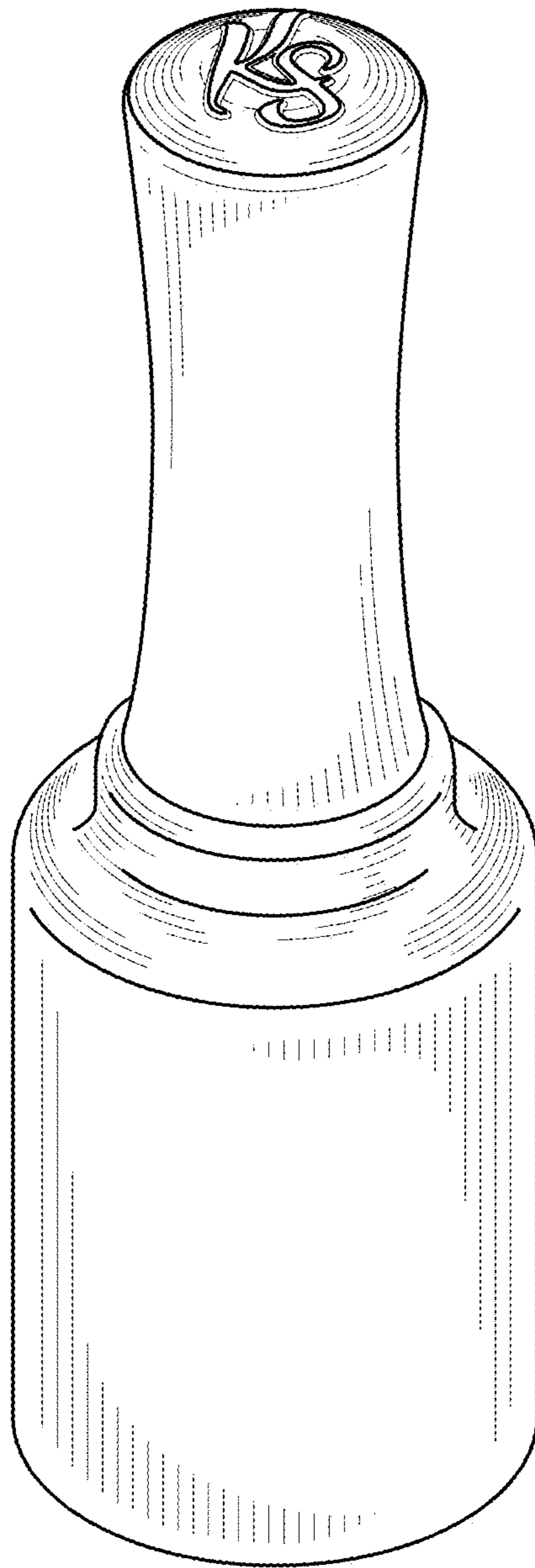


FIG. 1

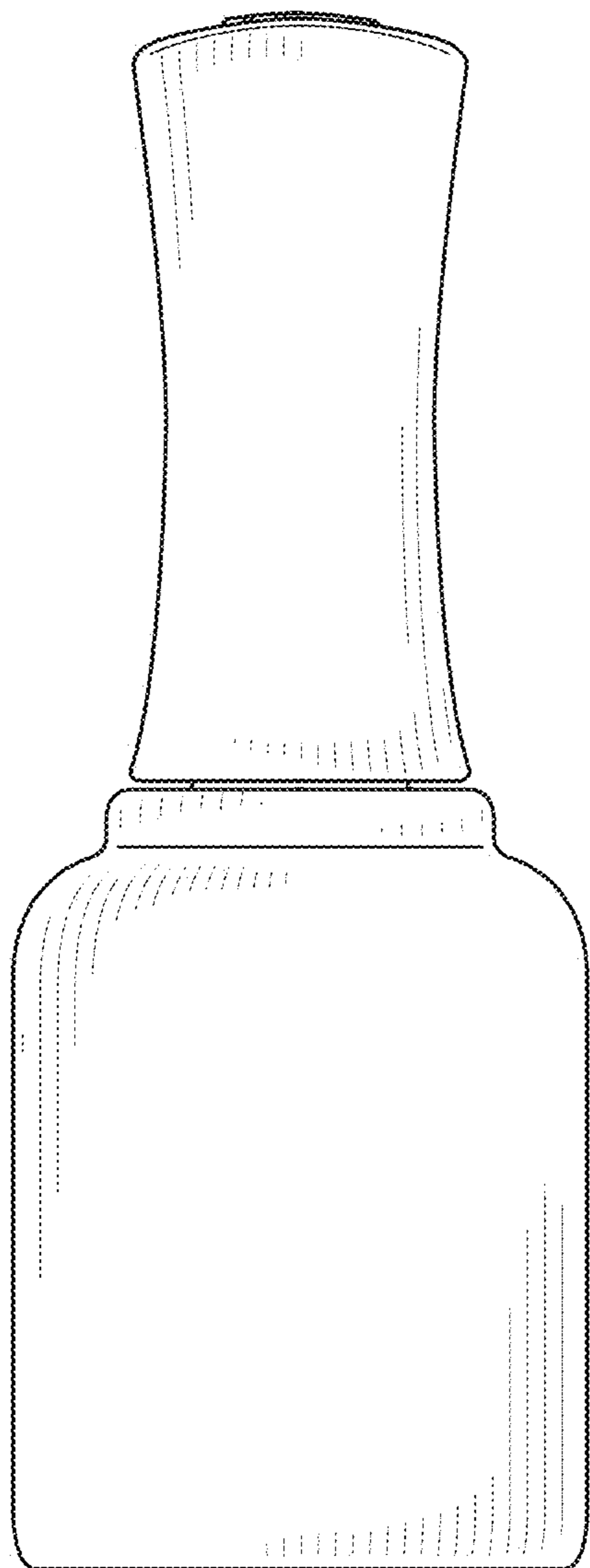


FIG. 2

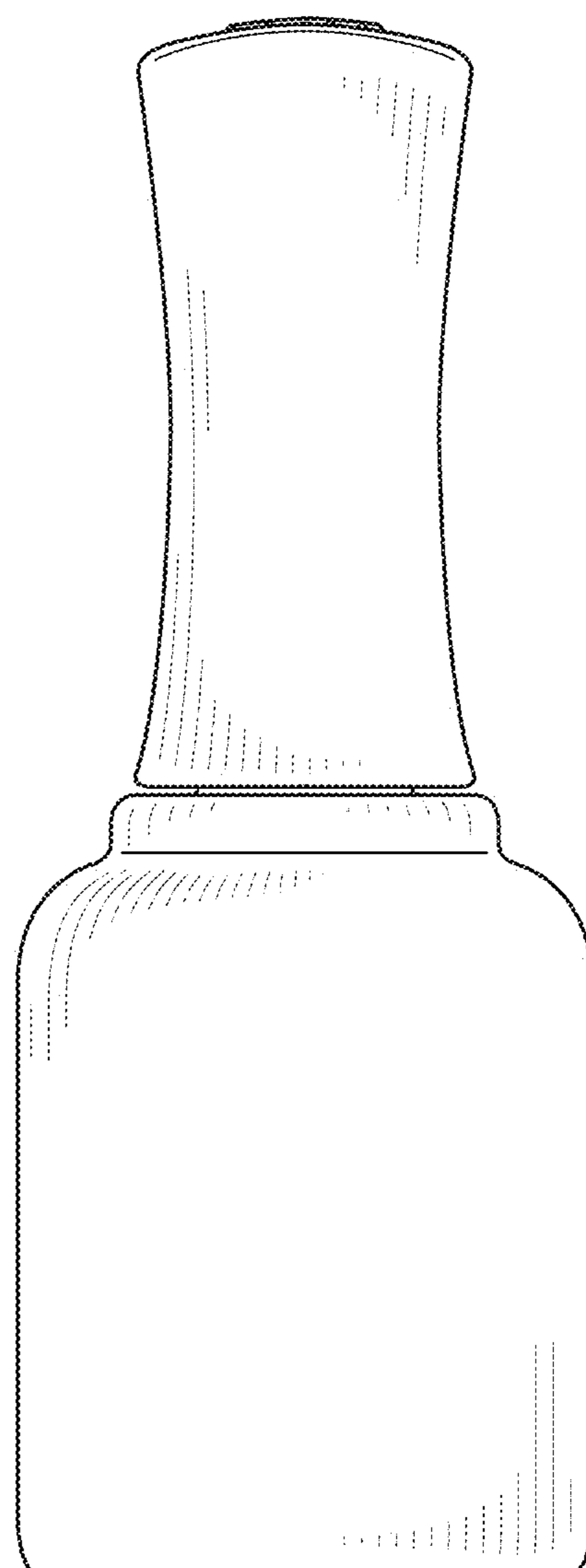


FIG. 3

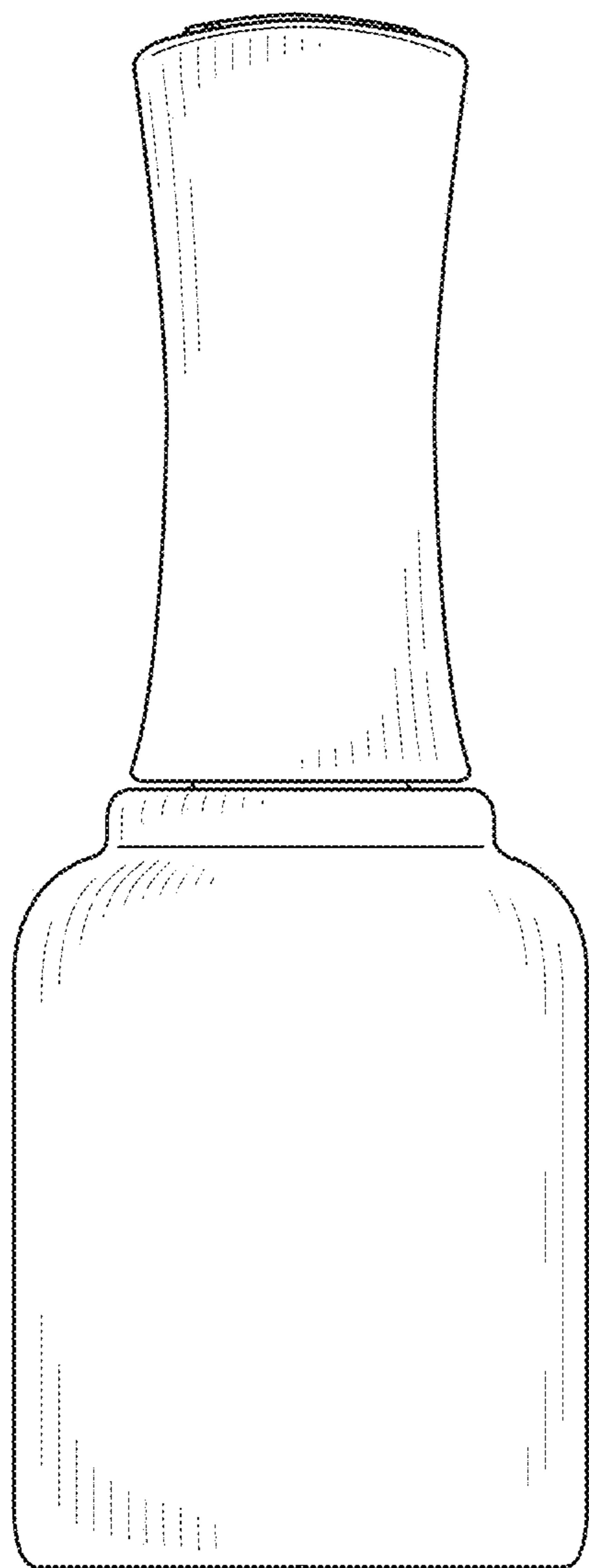


FIG. 4

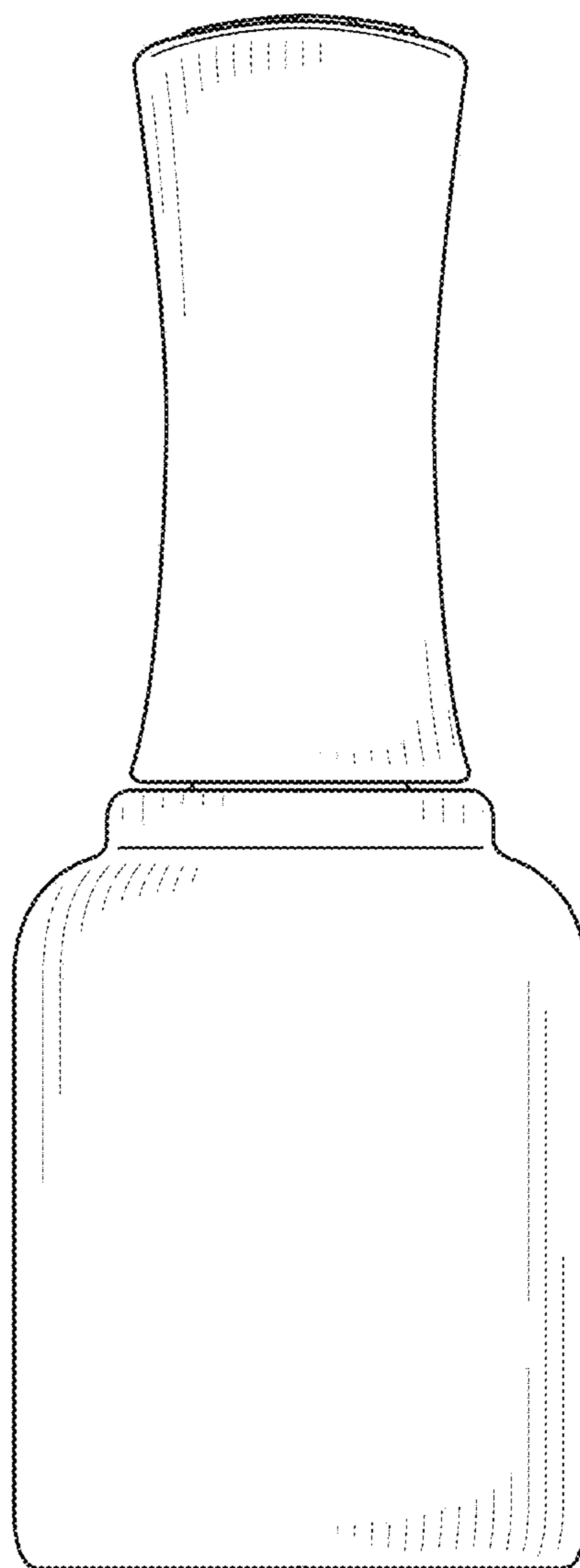


FIG. 5

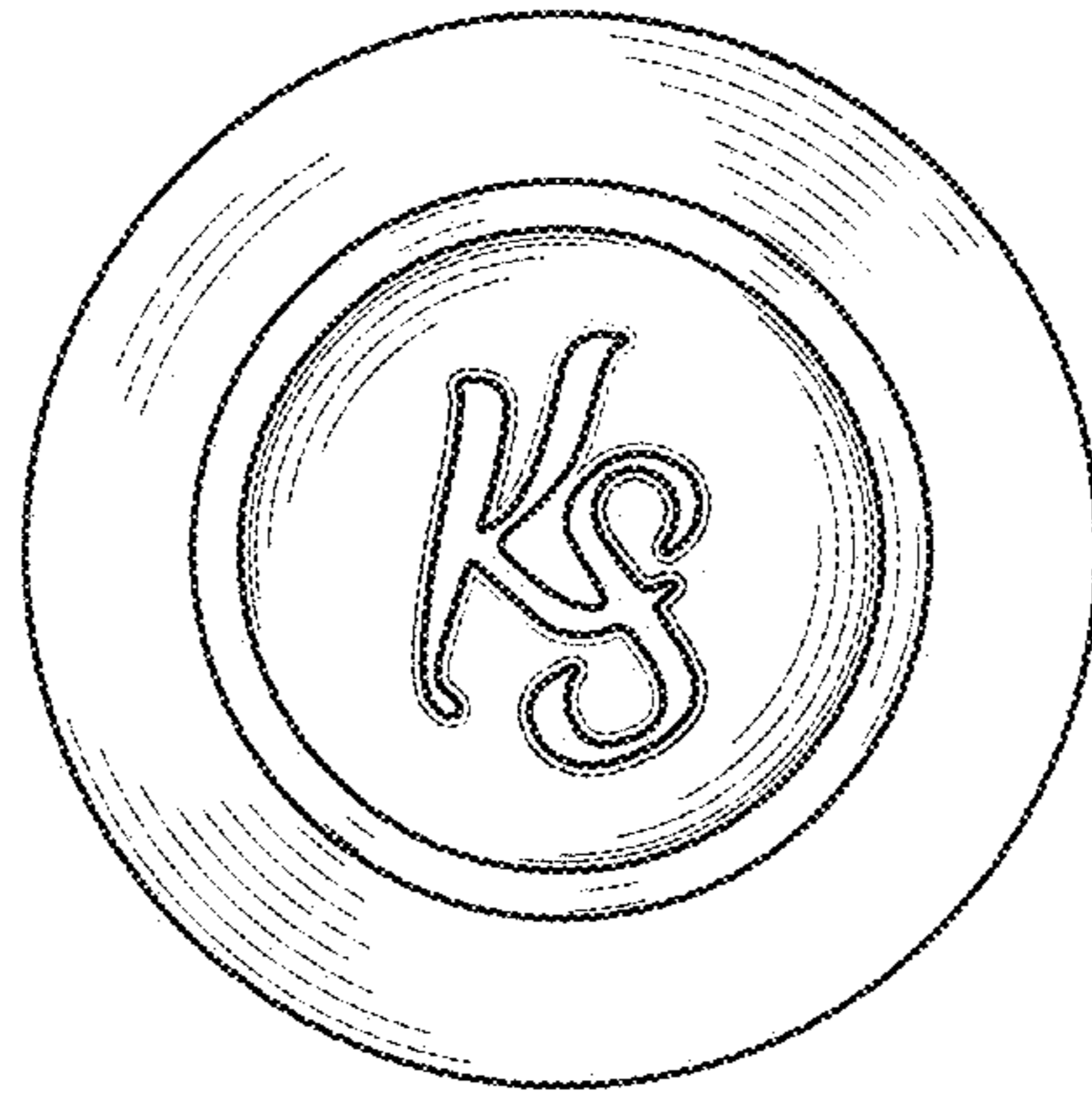


FIG. 6

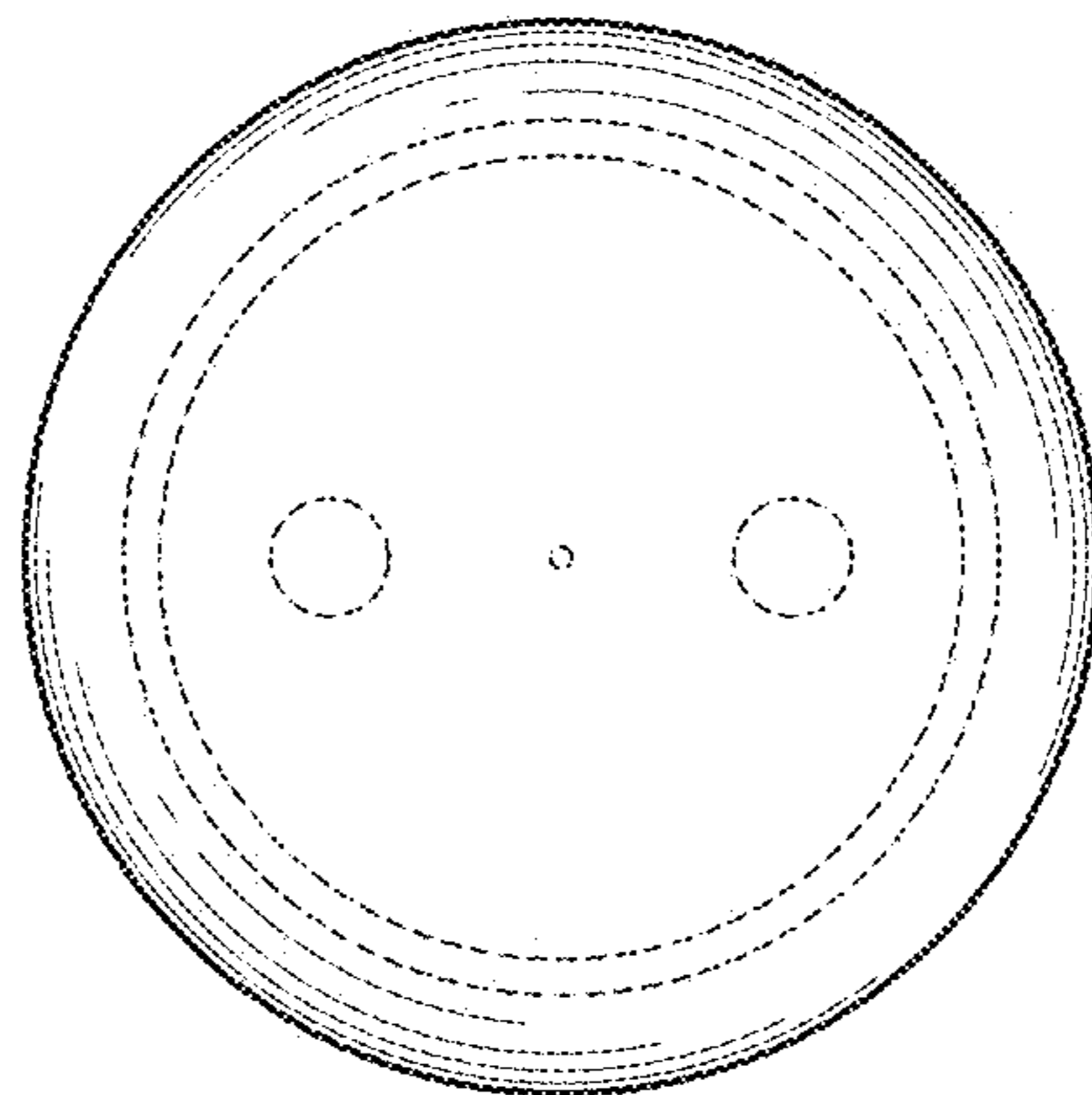


FIG. 7

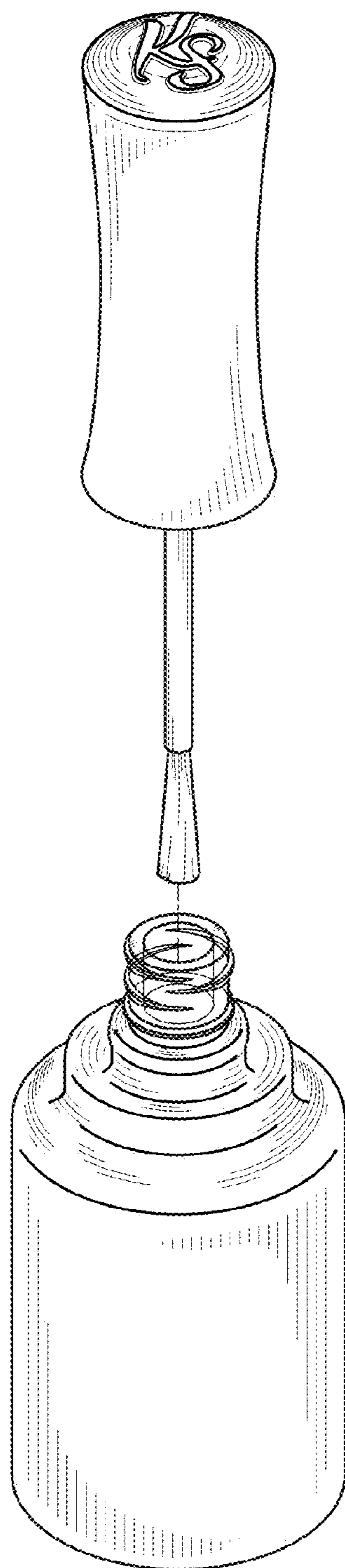


FIG. 8

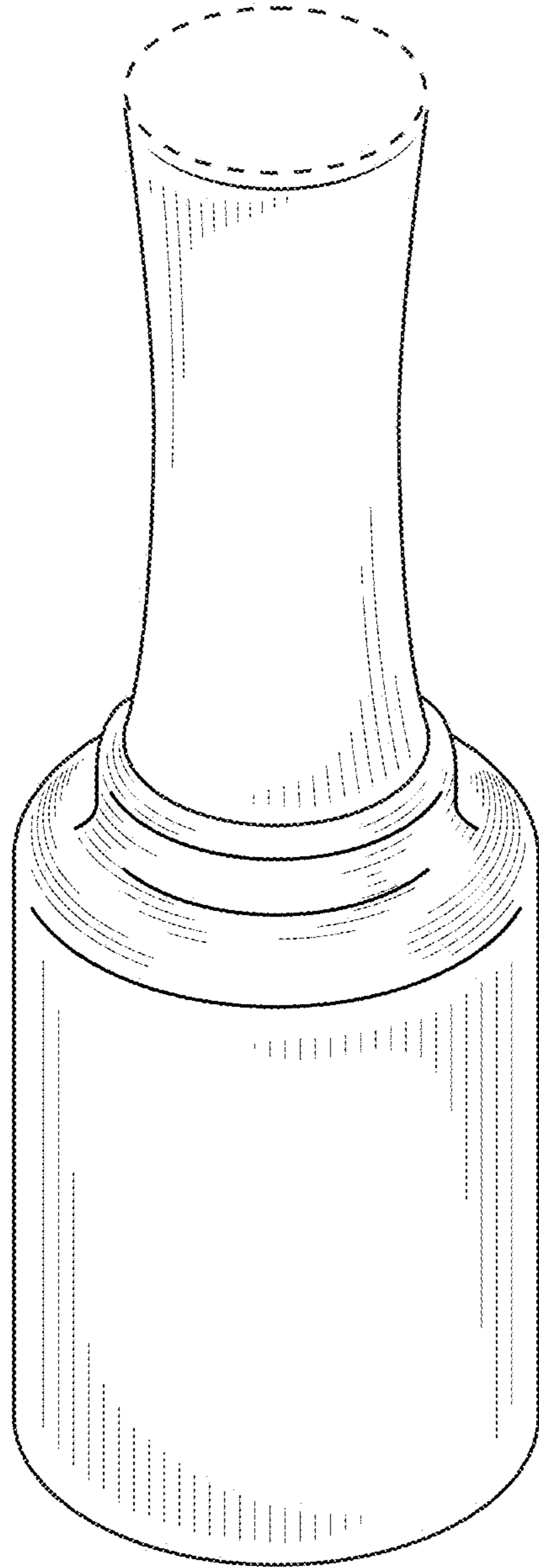


FIG. 9

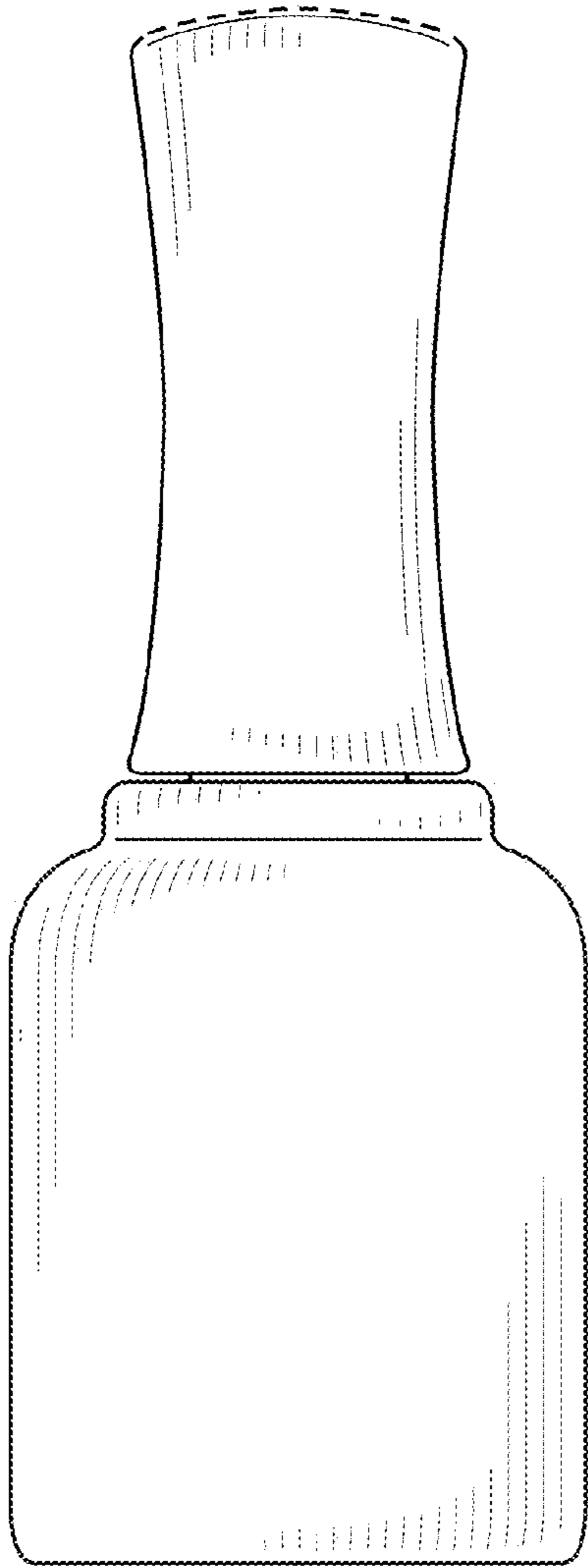


FIG. 10

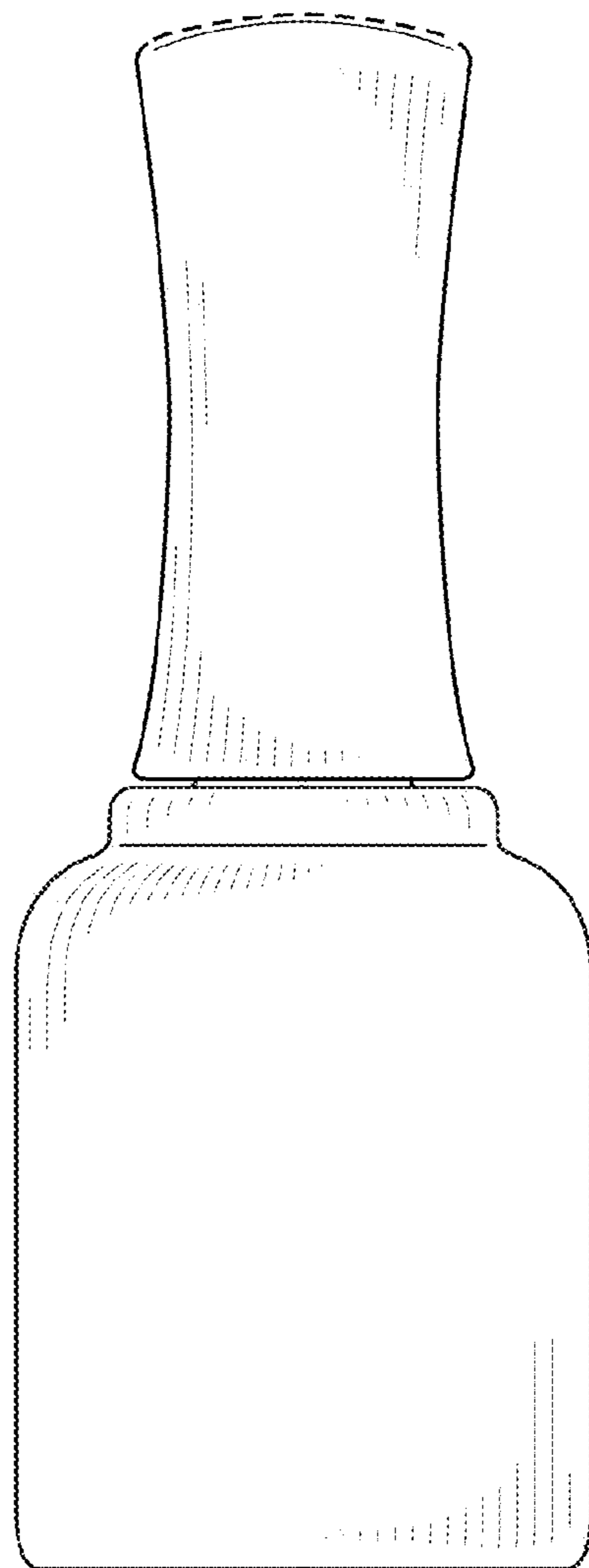


FIG. 11

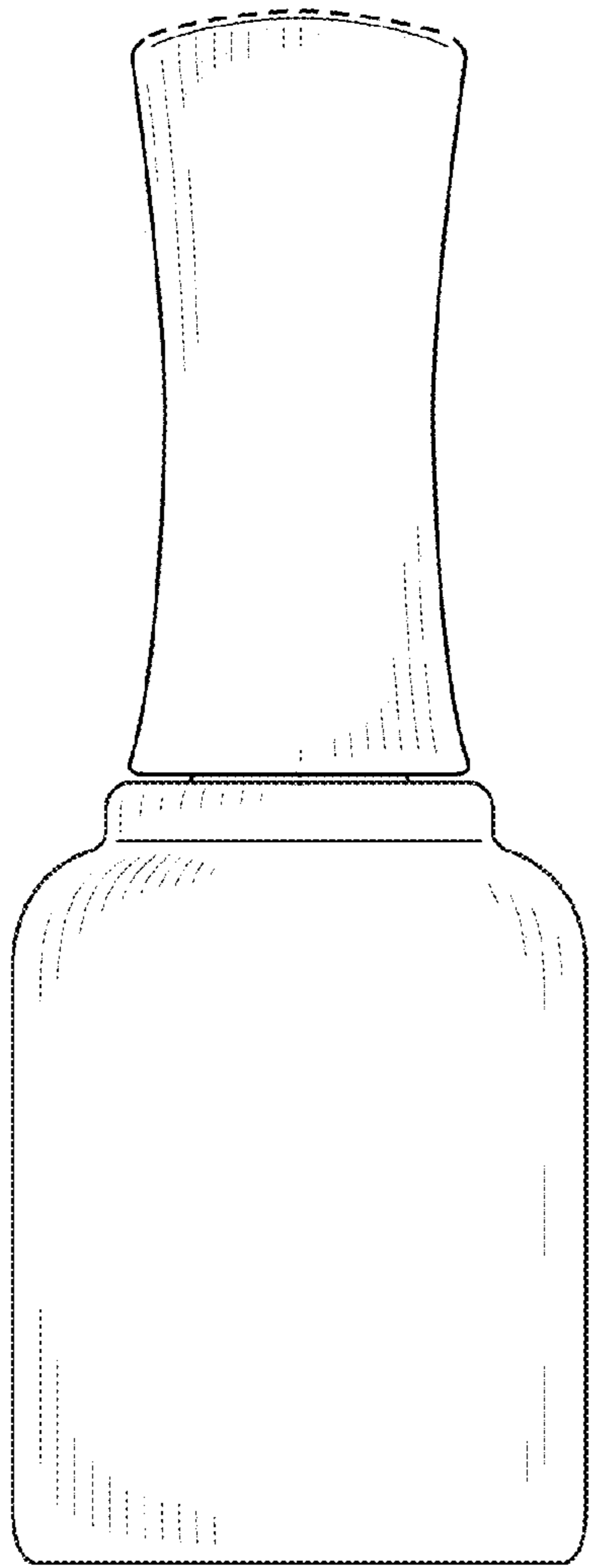


FIG. 12

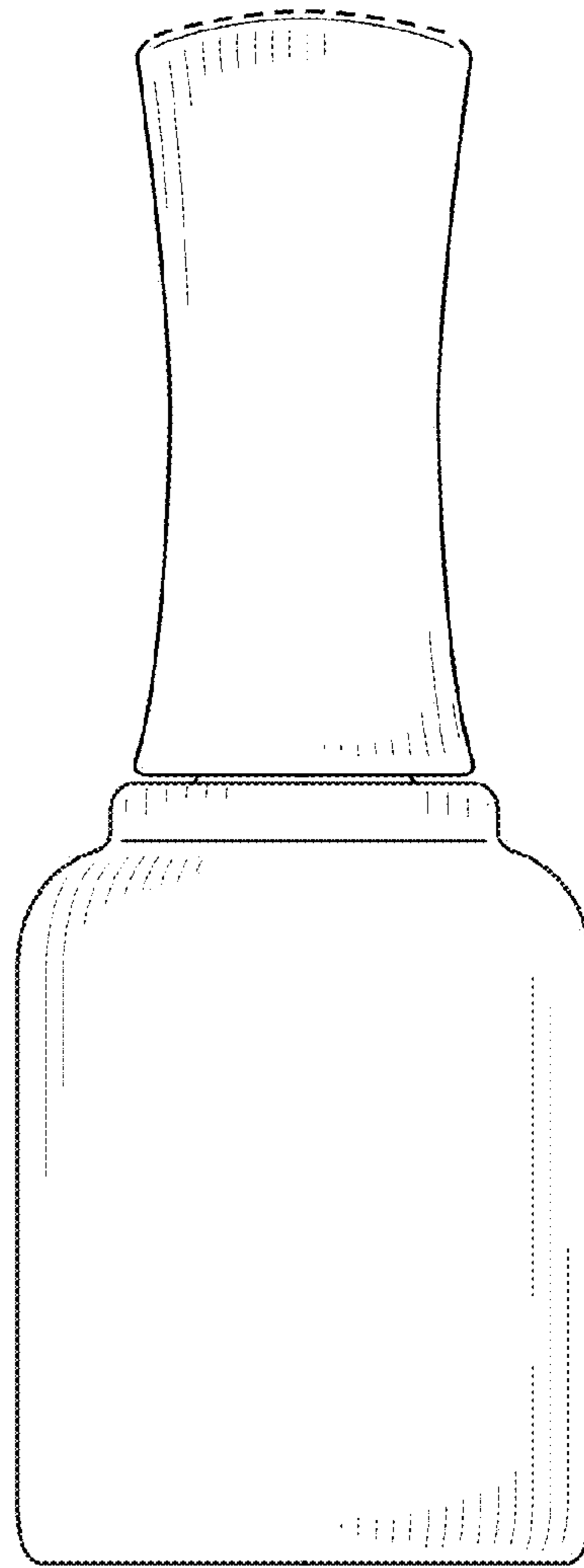


FIG. 13

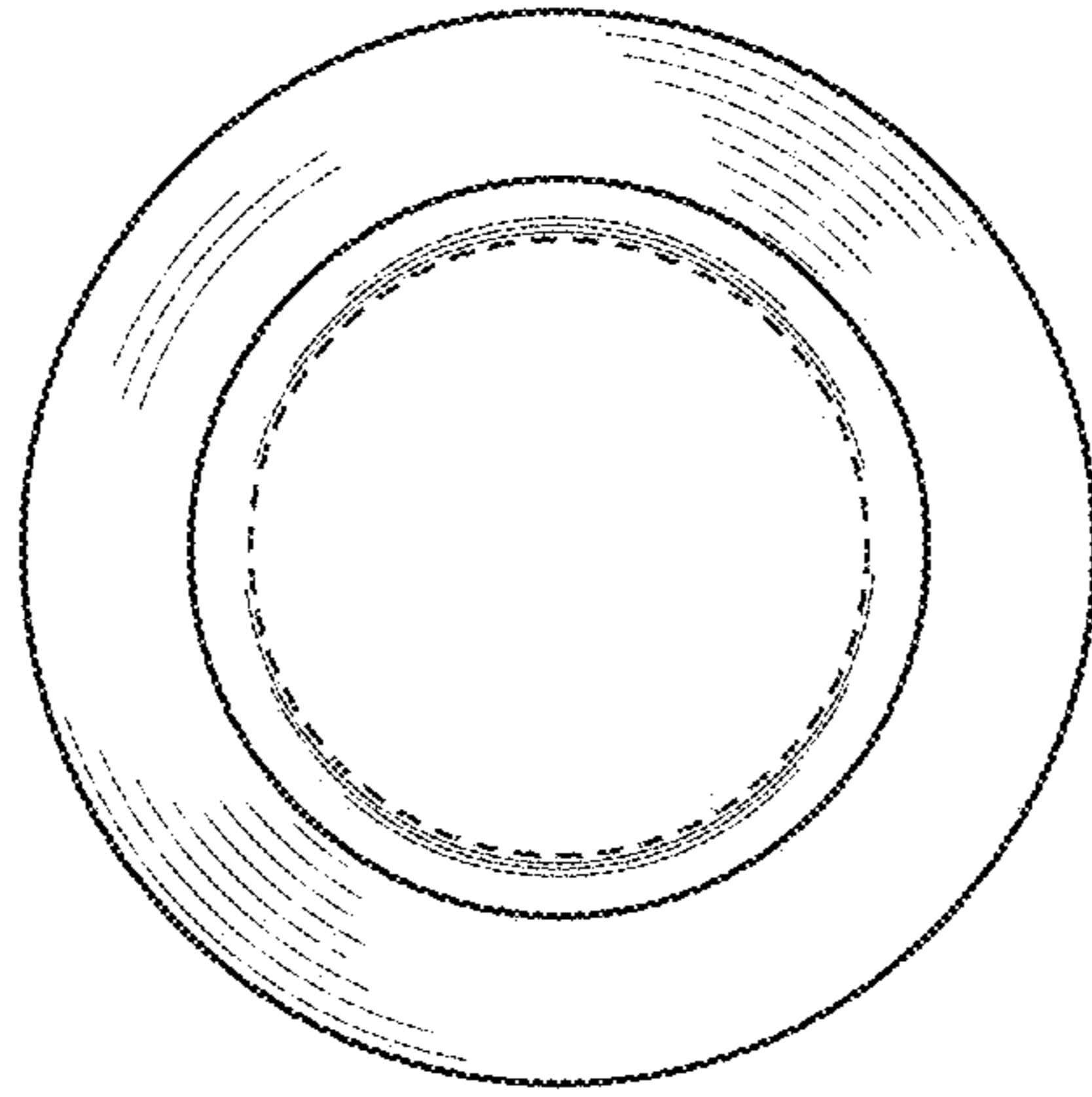


FIG. 14

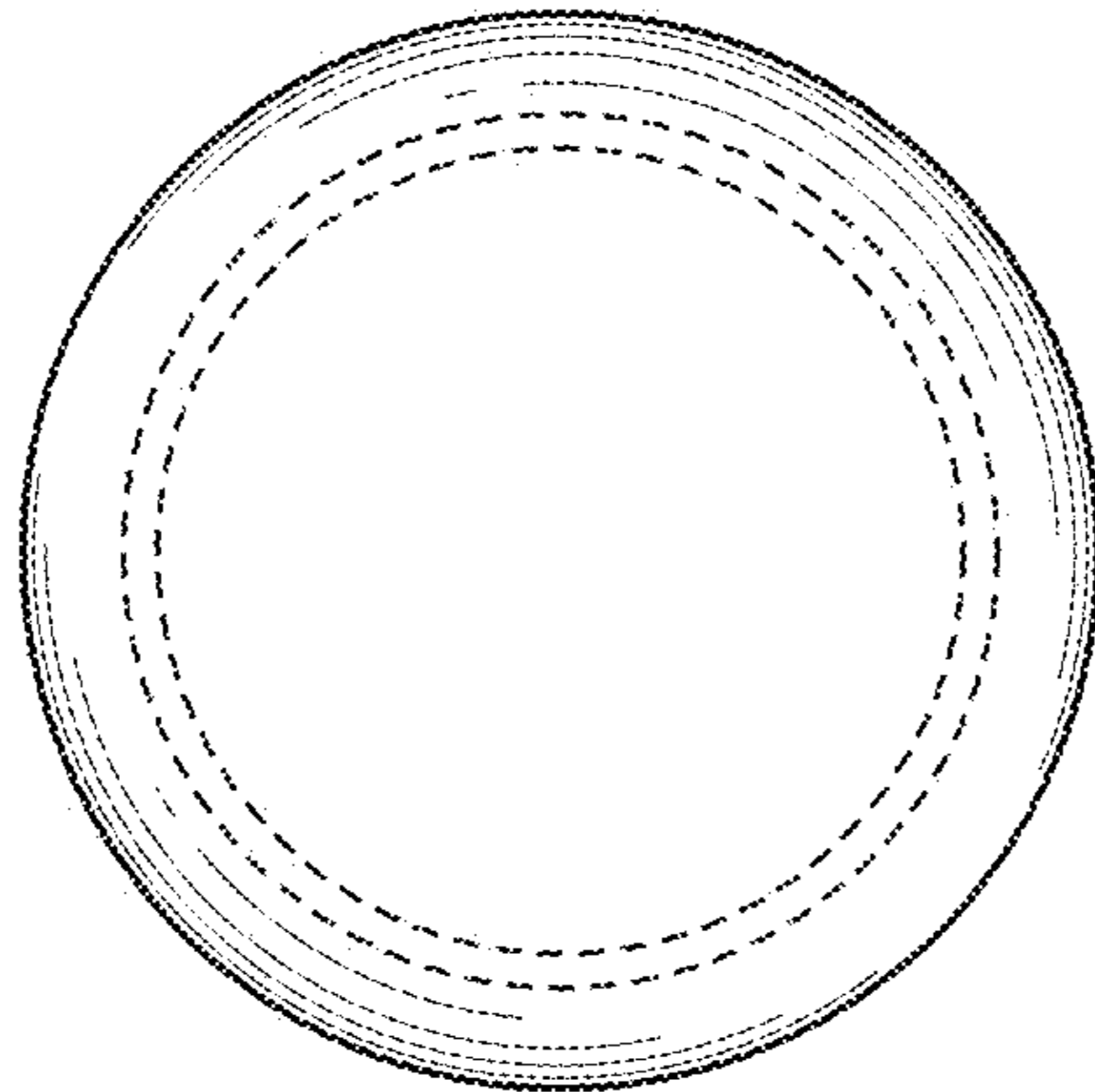


FIG. 15

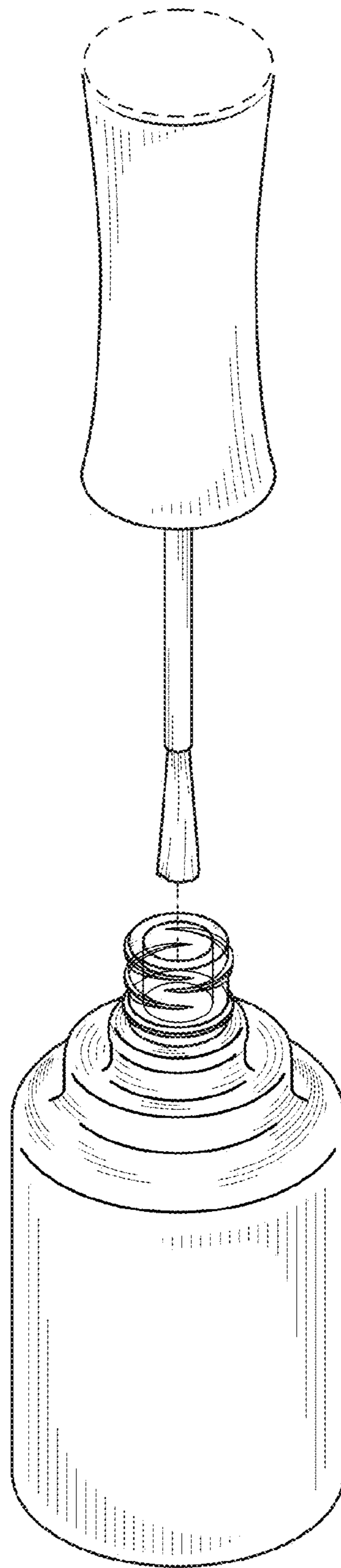


FIG. 16