



US00D758732S

(12) **United States Design Patent**  
**Goodman et al.**

(10) **Patent No.:** **US D758,732 S**  
(45) **Date of Patent:** **\*\* \*Jun. 14, 2016**

(54) **STACKABLE TRAY**

D296,601 S \* 7/1988 Chap ..... D3/306

(Continued)

(71) Applicant: **Spectrum Diversified Designs, LLC**,  
Streetsboro, OH (US)

**OTHER PUBLICATIONS**

(72) Inventors: **Sheldon H. Goodman**, Solon, OH (US);  
**Phaysouk Xayoiphonh**, Akron, OH  
(US)

interDesign “Chrome Small Stacking Basket”, <http://www.target.com/p/interdesign-chrome-small-stacking-basket/-/A-13991302>,  
printed Jan. 8, 2014.

(Continued)

(73) Assignee: **Spectrum Diversified Designs, LLC**,  
Streetsboro, OH (US)

*Primary Examiner* — Kelley Donnelly

(\*) Notice: This patent is subject to a terminal disclaimer.

(74) *Attorney, Agent, or Firm* — Benesch Friedlander  
Coplan & Aronoff, LLP

(\*\*) Term: **14 Years**

(57) **CLAIM**

What is claimed is the ornamental design for a stackable tray,  
as shown and described.

(21) Appl. No.: **29/494,714**

**DESCRIPTION**

(22) Filed: **Jun. 24, 2014**

(51) **LOC (10) Cl.** ..... **03-01**

(52) **U.S. Cl.**  
USPC ..... **D3/306**

(58) **Field of Classification Search**  
USPC ..... D3/201, 304, 306–309; D9/429;  
220/914; D19/75–77, 86, 92; 206/203,  
206/214–215, 822, 307.1  
CPC ..... B65D 21/00; B65D 21/0204  
See application file for complete search history.

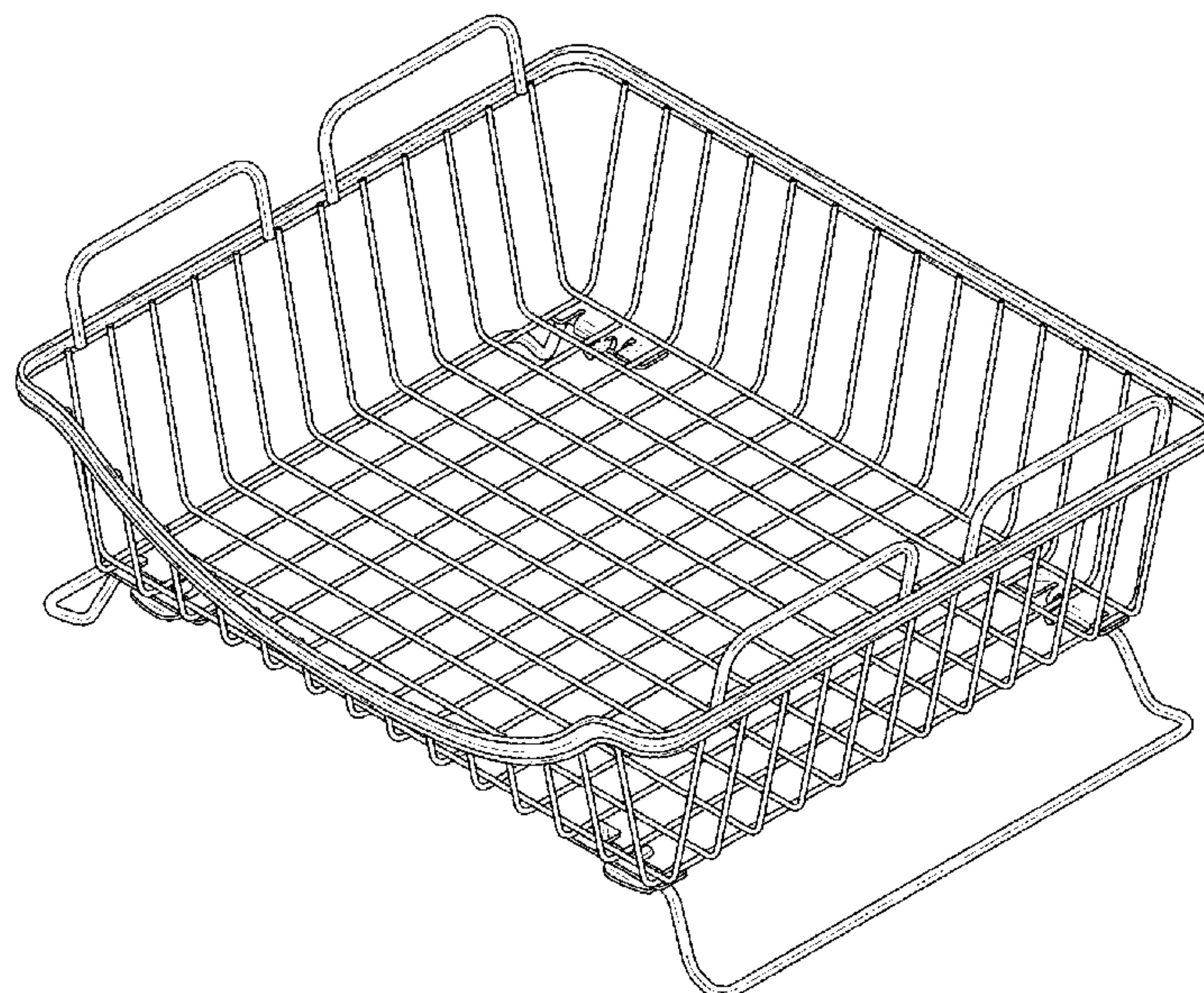
FIG. 1 is a perspective view of a stackable tray showing a new design;  
FIG. 2 is a front view of the stackable tray of FIG. 1;  
FIG. 3 is a cross-section taken along line 3--3 of FIG. 2;  
FIG. 4 is a side view of the stackable tray of FIG. 1;  
FIG. 5 is a rear view of the stackable tray of FIG. 1;  
FIG. 6 is a top view of the stackable tray of FIG. 1;  
FIG. 7 is a bottom view of the stackable tray of FIG. 1;  
FIG. 8 is a perspective view of another embodiment of the stackable tray of FIG. 1; and,  
FIG. 9 is a perspective view of another embodiment of the stackable tray of FIG. 1.  
The components of the display shown in broken lines illustrate portions of the stackable tray form no part of the claimed design.

(56) **References Cited**

**U.S. PATENT DOCUMENTS**

D193,215 S \* 7/1962 Fredick ..... D3/306  
4,337,872 A \* 7/1982 Wright ..... B65D 7/20  
206/513

**1 Claim, 5 Drawing Sheets**



(56)

**References Cited**

U.S. PATENT DOCUMENTS

D305,272 S	*	12/1989	Remmers .....	D6/513
D477,144 S	*	7/2003	Remmers .....	D3/306
D507,108 S	*	7/2005	Suero, Jr. ....	D3/304
D508,167 S	*	8/2005	Anderson .....	D3/306
D508,321 S	*	8/2005	Anderson .....	D3/306
D526,454 S	*	8/2006	Plikuhn .....	D3/306
D650,175 S	*	12/2011	Lee .....	D3/306
D675,850 S	*	2/2013	Tawil .....	D6/705.6
D723,805 S	*	3/2015	Habraken .....	D3/306

OTHER PUBLICATIONS

interDesign “Bronze Large Stacking Basket”, <http://www.target.com/p/interdesign-bronze-large-stacking-basket/-/A-13989792>, printed Jan. 8, 2014.  
The Container Store, “Small Bronze York Open Stack Basket,” <http://www.containerstore.com/s/small-bronze-york-open-stack-basket/d?productId=10031119&q=york>, printed Jan. 21, 2016, 3 pages.  
The Container Store, “Large Bronze York Open Stack Basket,” <http://www.containerstore.com/s/large-bronze-york-open-stack-basket/d?productId=10033728&q=york>, printed Jan. 21, 2016, 3 pages.

\* cited by examiner

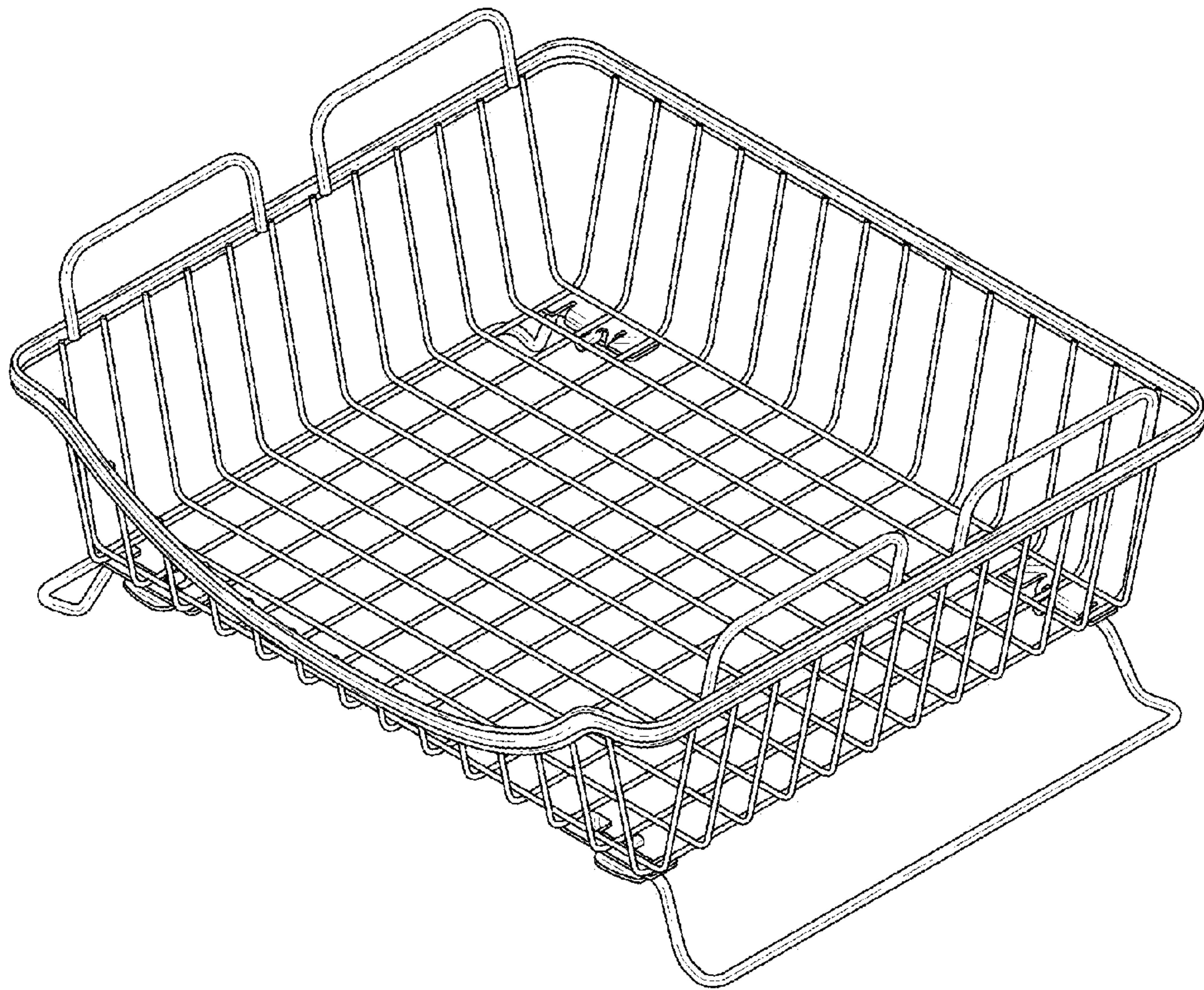


FIG. 1



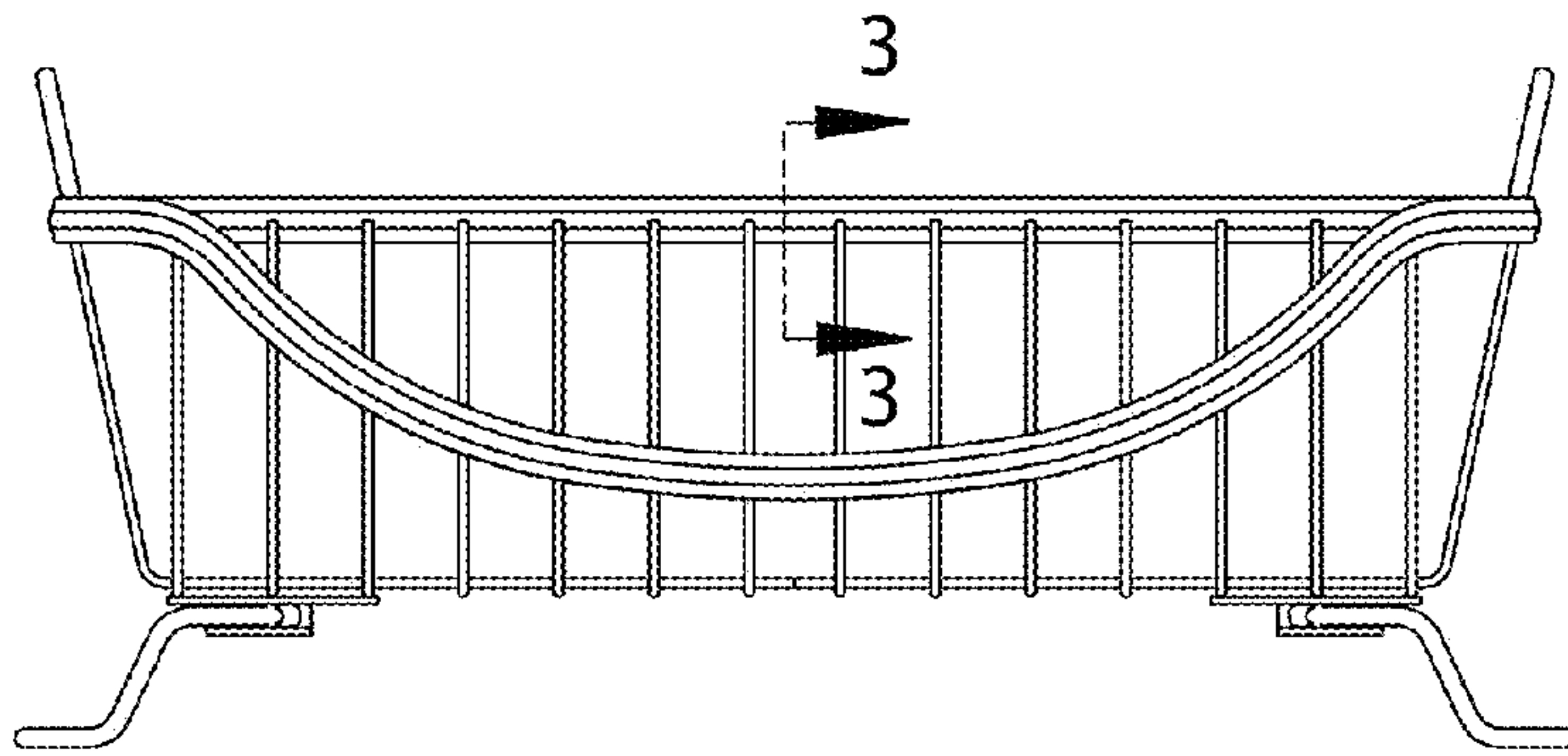


FIG. 2

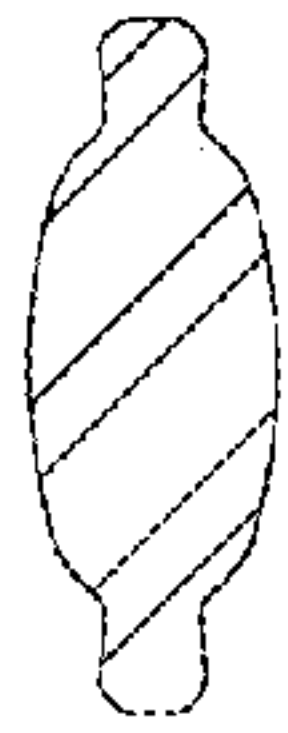


FIG. 3

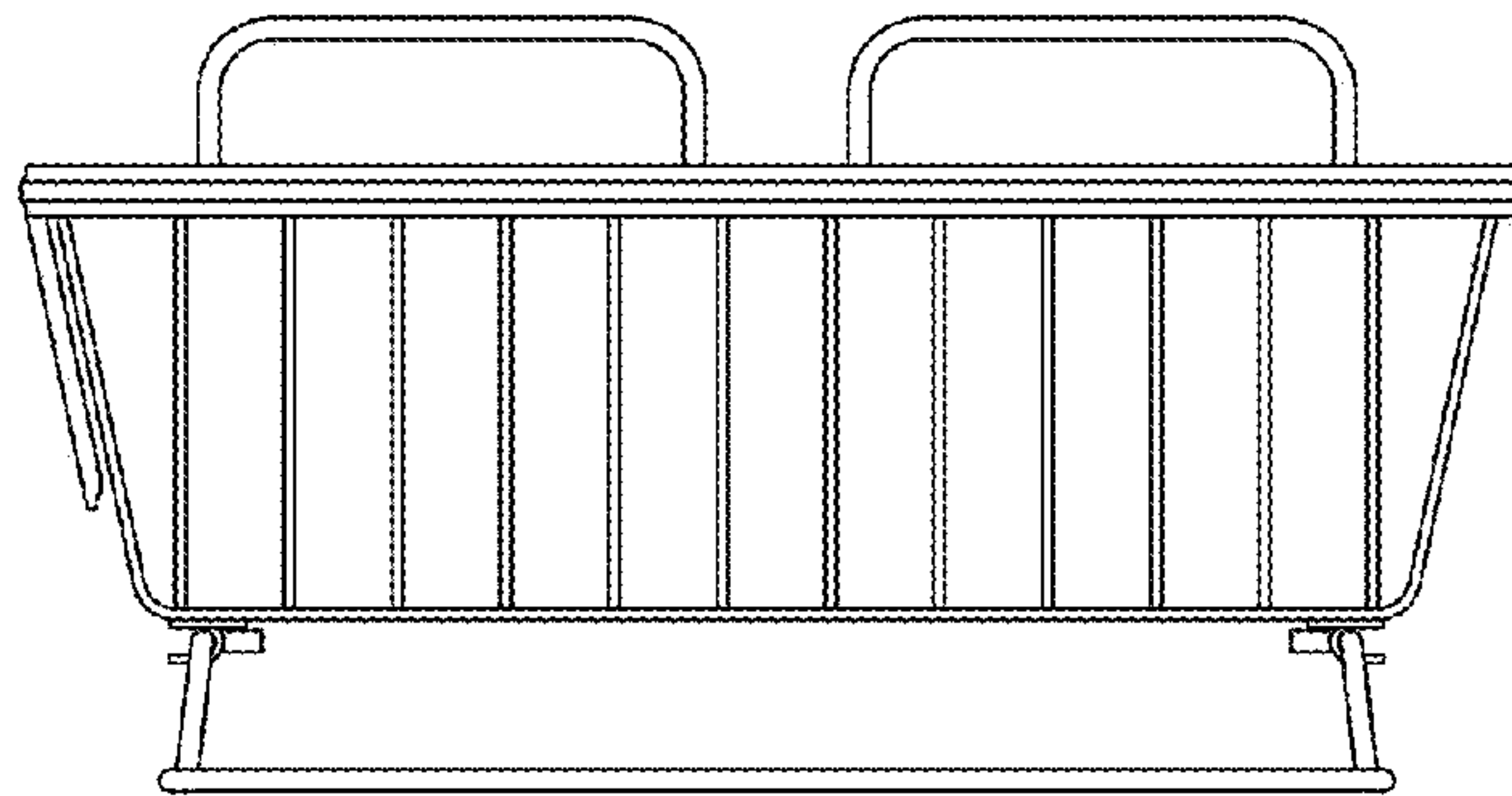


FIG. 4

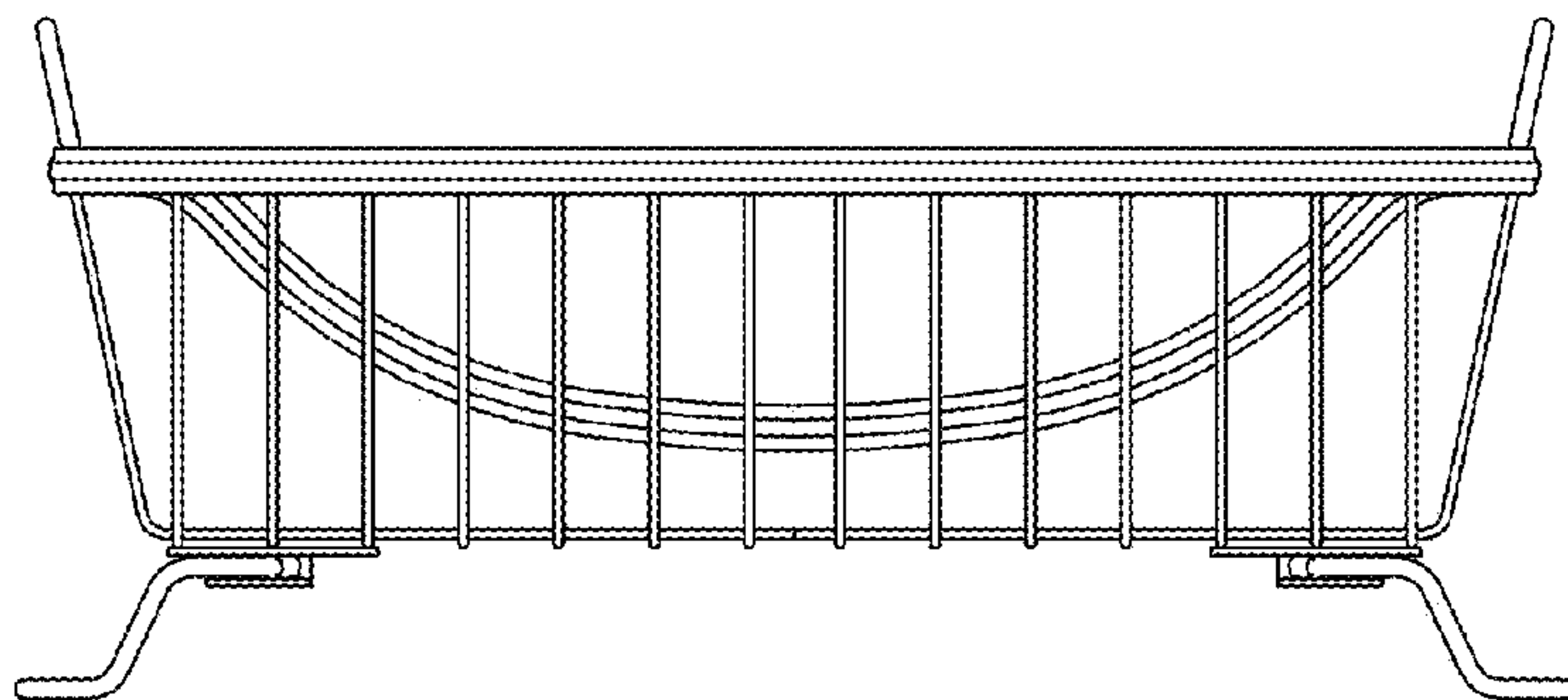


FIG. 5

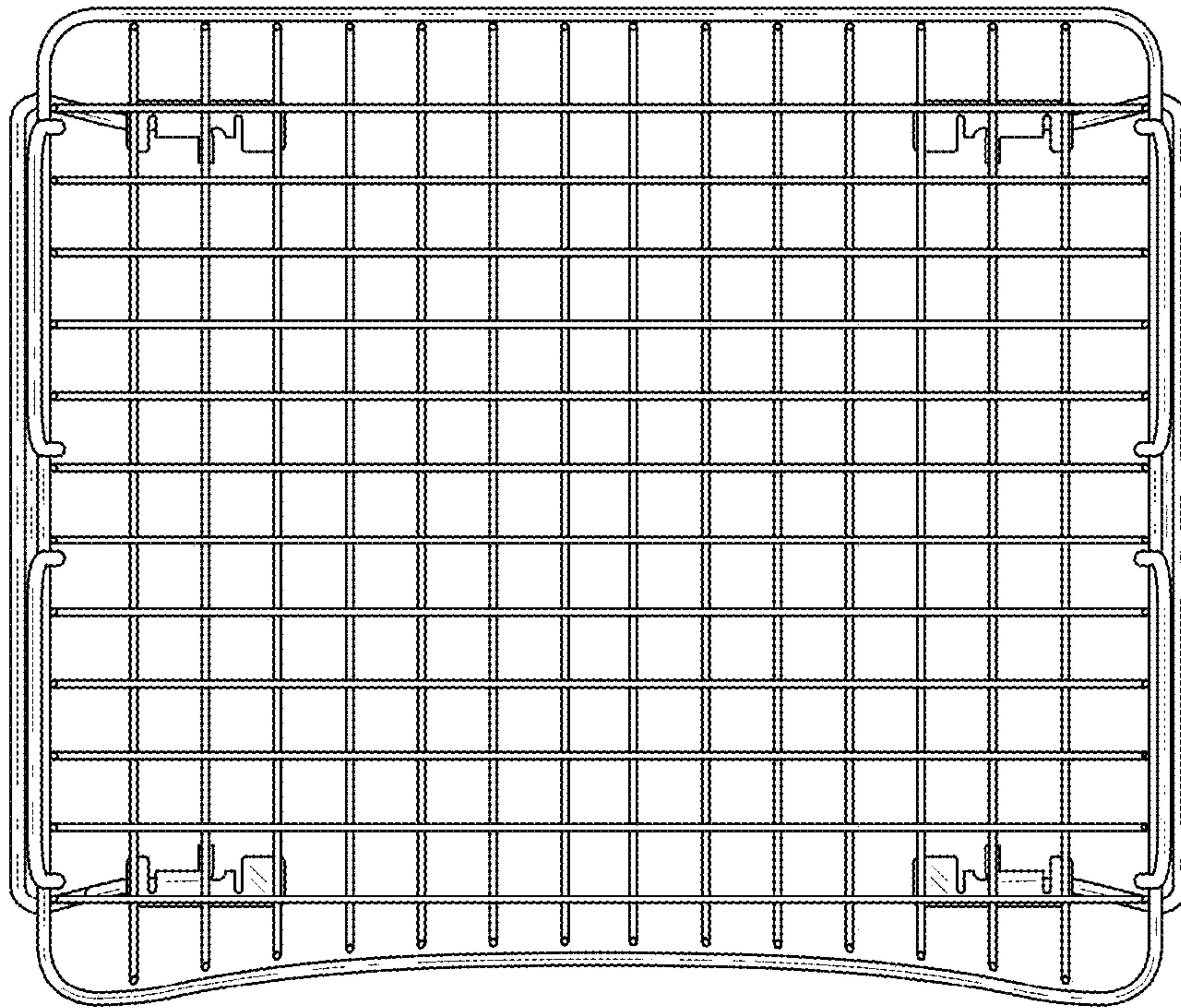


FIG. 6

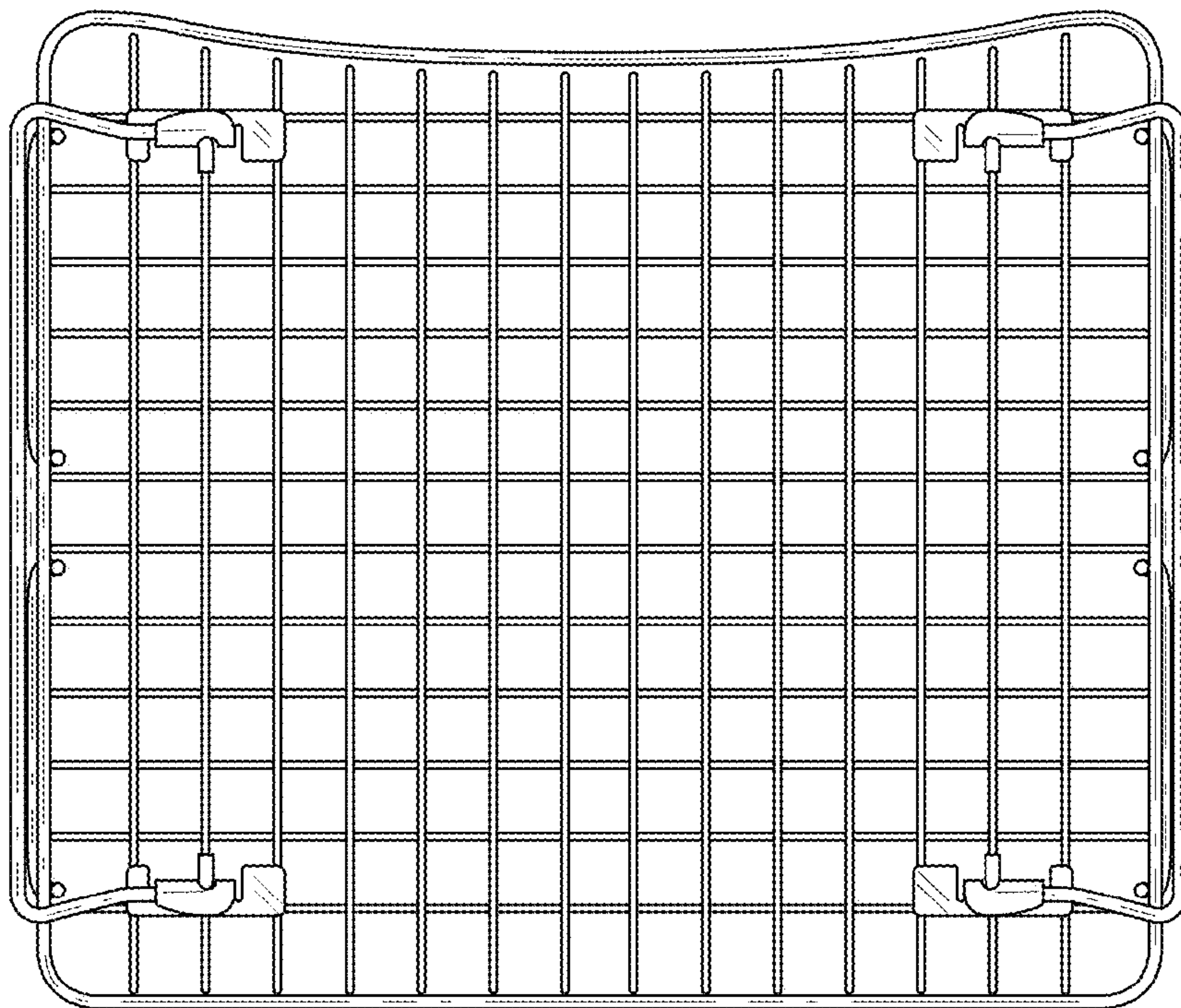


FIG. 7

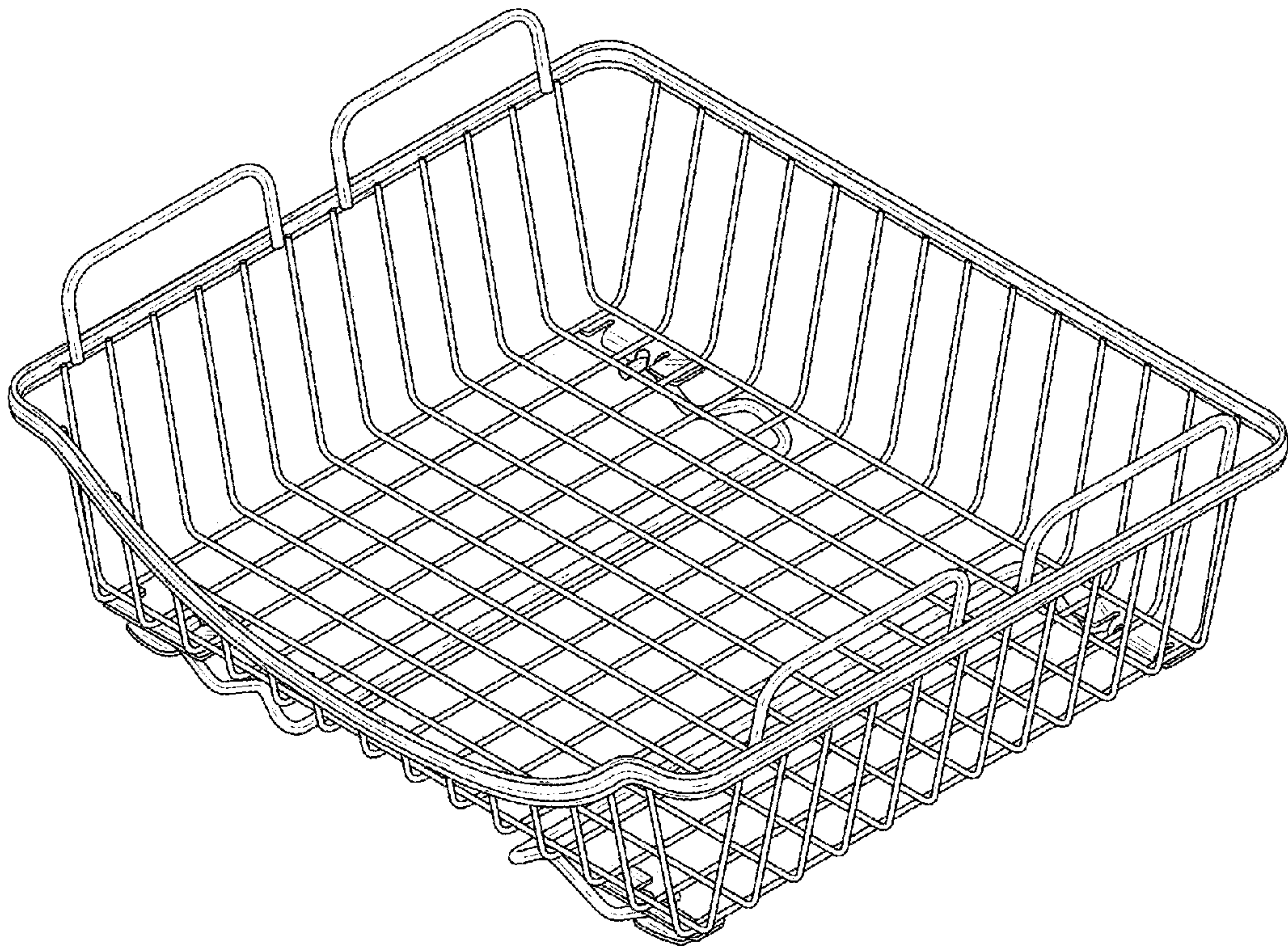


FIG. 8



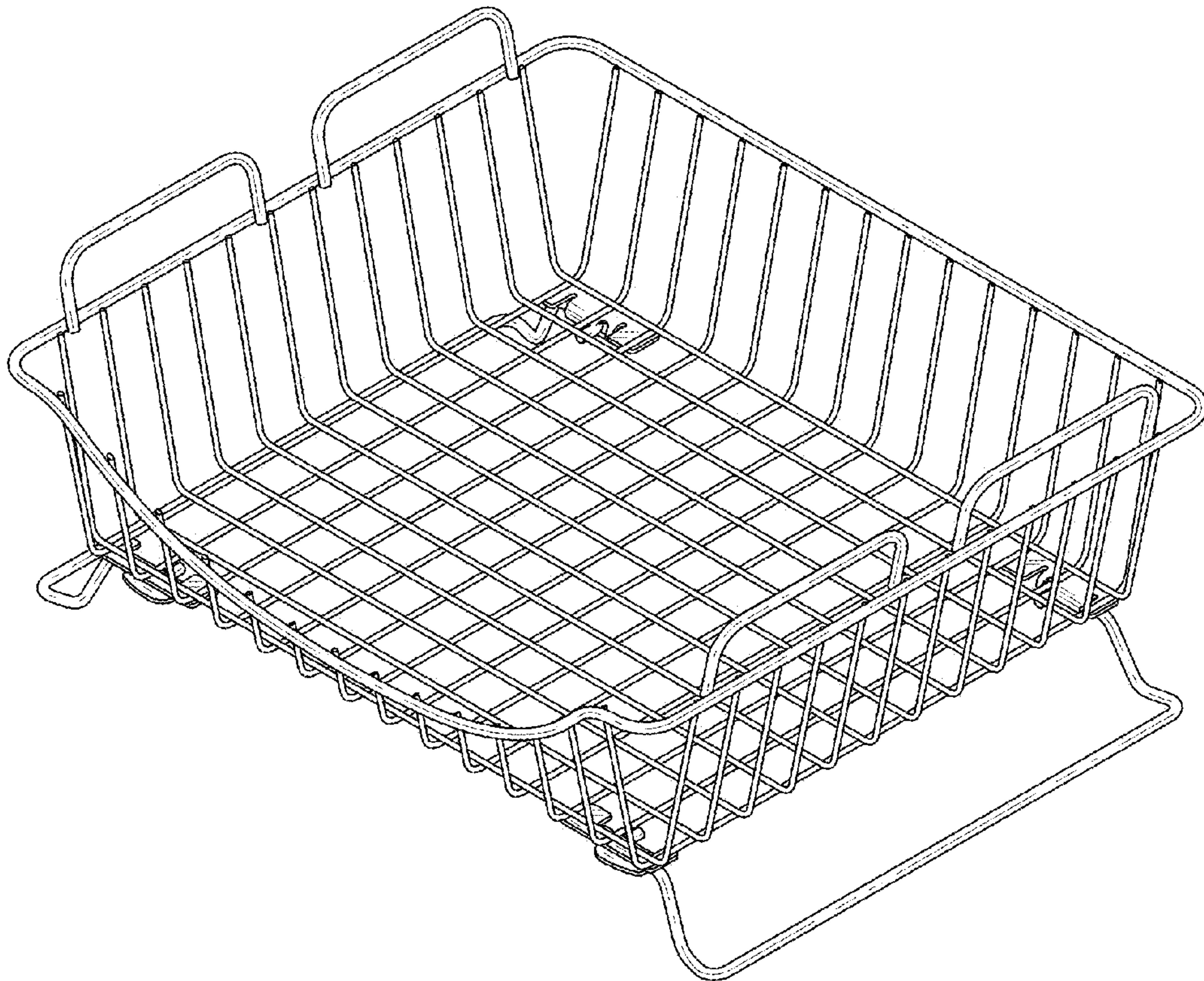


FIG. 9