



US00D758730S

(12) **United States Design Patent**
Berger et al.

(10) **Patent No.:** **US D758,730 S**
(45) **Date of Patent:** **** Jun. 14, 2016**

(54) **CONTAINER TO SHIP SELLABLE INVENTORY**

(57) **CLAIM**
The ornamental design for a container to ship sellable inventory, as shown and described.

DESCRIPTION

- (71) Applicant: **Amazon Technologies, Inc.**, Reno, NV (US)
- (72) Inventors: **Carl Eric Berger**, Issaquah, WA (US);
Ingrid Rivera, Seattle, WA (US);
Catherine A. Smith, Seattle, WA (US)
- (73) Assignee: **Amazon Technologies, Inc.**, Seattle, WA (US)
- (**) Term: **14 Years**
- (21) Appl. No.: **29/500,905**
- (22) Filed: **Aug. 29, 2014**
- (51) **LOC (10) Cl.** **03-01**
- (52) **U.S. Cl.**
USPC **D3/304**
- (58) **Field of Classification Search**
USPC D3/304-309, 314-315; D7/601, 605;
D9/424-425, 429; 206/503, 505, 507;
220/519-520, 508, 675
CPC B65D 81/3813; B65D 21/0204
See application file for complete search history.

A portion of the disclosure of this patent document contains material to which a claim for copyright is made. The copyright owner has no objection to the reproduction of the patent document or the patent disclosure, as it appears in the U.S. Patent Office records, but reserves all other copyright rights whatsoever.

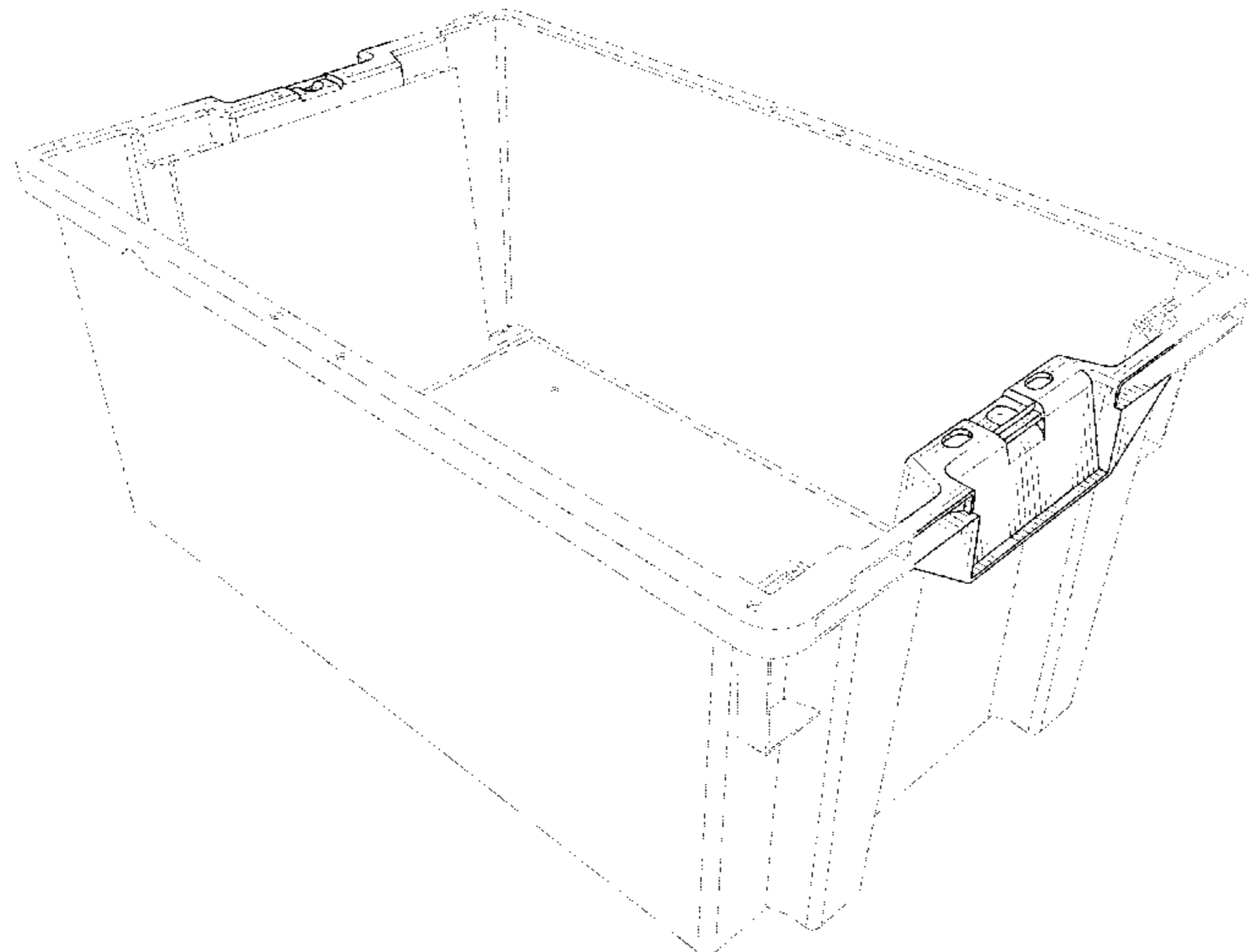
FIG. 1 is a first perspective view of a first embodiment of a container, taken from above;
FIG. 2 is a second perspective view of the first embodiment of the container of FIG. 1, taken from below;
FIG. 3 is an expanded view of a portion of the bottom surface of the first embodiment of the container illustrating a texture. The texture illustrated in FIG. 3 applies to the bottom surface of the container, as shown in FIG. 2;
FIG. 4 is a third perspective view of the first embodiment of the container of FIG. 1, taken from above;
FIG. 5 is a top plan view of the first embodiment of the container of FIG. 1,
FIG. 6 is a bottom plan view of the first embodiment thereof;
FIG. 7 is a left-side view of the first embodiment thereof;
FIG. 8 is a right-side view of the first embodiment thereof;
FIG. 9 is a front view of the first embodiment thereof;
FIG. 10 is a back view of the first embodiment thereof;
FIG. 11 is a fourth perspective view of the first embodiment thereof;
FIG. 12 is a fifth perspective view of the first embodiment thereof;
FIG. 13 is a perspective view of a second embodiment of the Container, taken from below. The second embodiment includes illustrations identical to the views illustrated in FIGS. 1, 5, and 7-12 shown above;
FIG. 14 is an enlarged view of a portion of the bottom surface of the second embodiment thereof illustrating texture; and,
FIG. 15 is a bottom plan view of the second embodiment of the container of FIG. 13 thereof.

The broken lines in the drawings are for illustrative purposes only and form no part of the claimed design.

- (56) **References Cited**
U.S. PATENT DOCUMENTS
D273,523 S * 4/1984 DiSesa D3/307
D273,526 S * 4/1984 DiSesa D3/307
(Continued)

Primary Examiner — Kelley Donnelly
(74) *Attorney, Agent, or Firm* — Lee & Hayes, PLLC

1 Claim, 13 Drawing Sheets



(56)

References Cited

U.S. PATENT DOCUMENTS

D274,572 S * 7/1984 Miller D3/312
D289,579 S * 4/1987 Andersson D3/312
D320,298 S * 9/1991 Apps D3/312
D326,345 S * 5/1992 Mandell D3/312
D398,151 S * 9/1998 Ahern, Jr. D3/304
D431,362 S * 10/2000 Conti D3/304
D519,736 S * 5/2006 Jones D3/311

D549,454 S * 8/2007 Åhman D3/304
D549,455 S * 8/2007 Kent D3/304
D569,619 S * 5/2008 Kent D3/304
D578,308 S * 10/2008 Simas D3/304
D627,562 S * 11/2010 Osiecki D3/304
D654,690 S * 2/2012 Sofy D3/309
D718,533 S * 12/2014 Leadholm D3/307
2004/0238547 A1 * 12/2004 Tyra B29C 45/0053
220/675

* cited by examiner

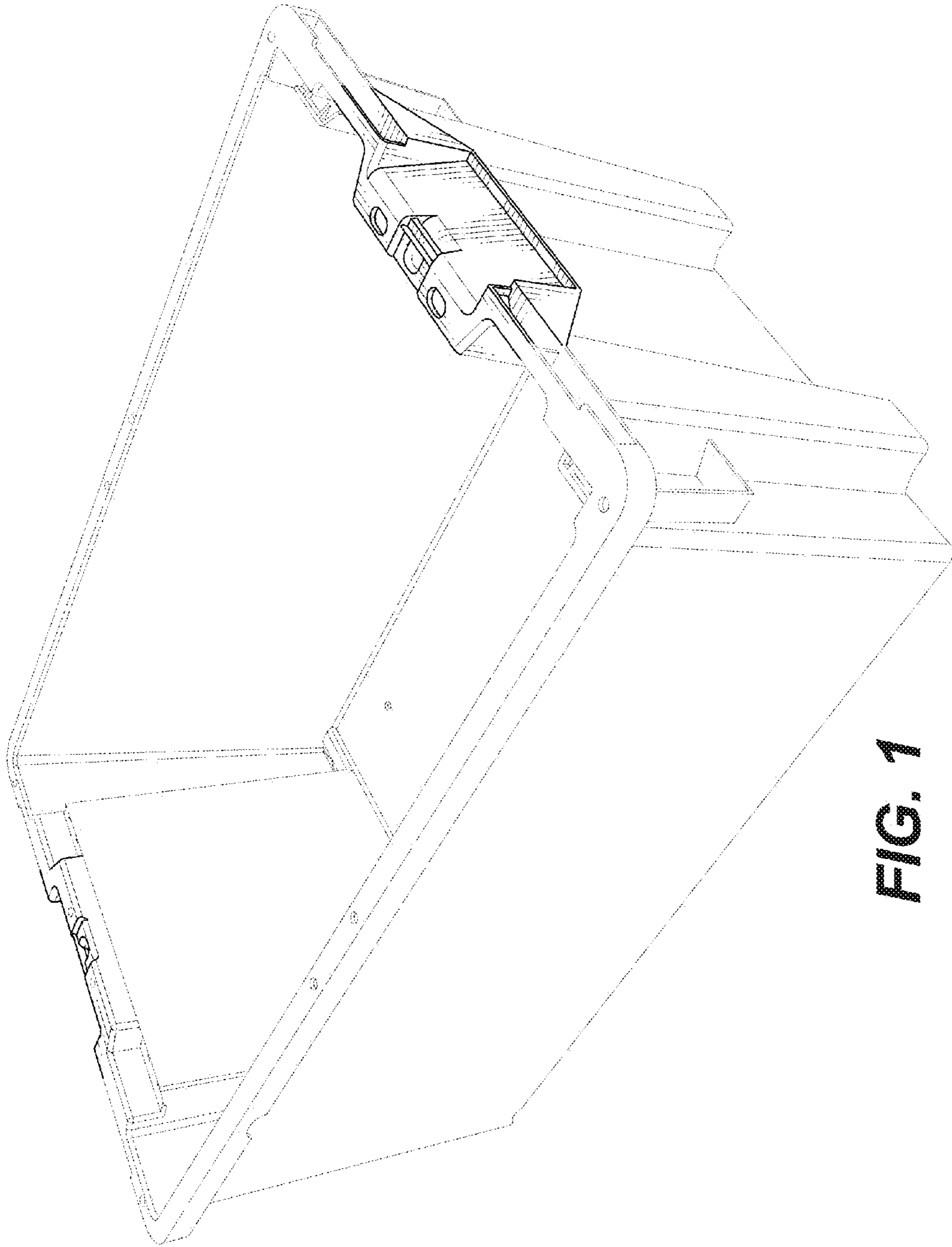


FIG. 1

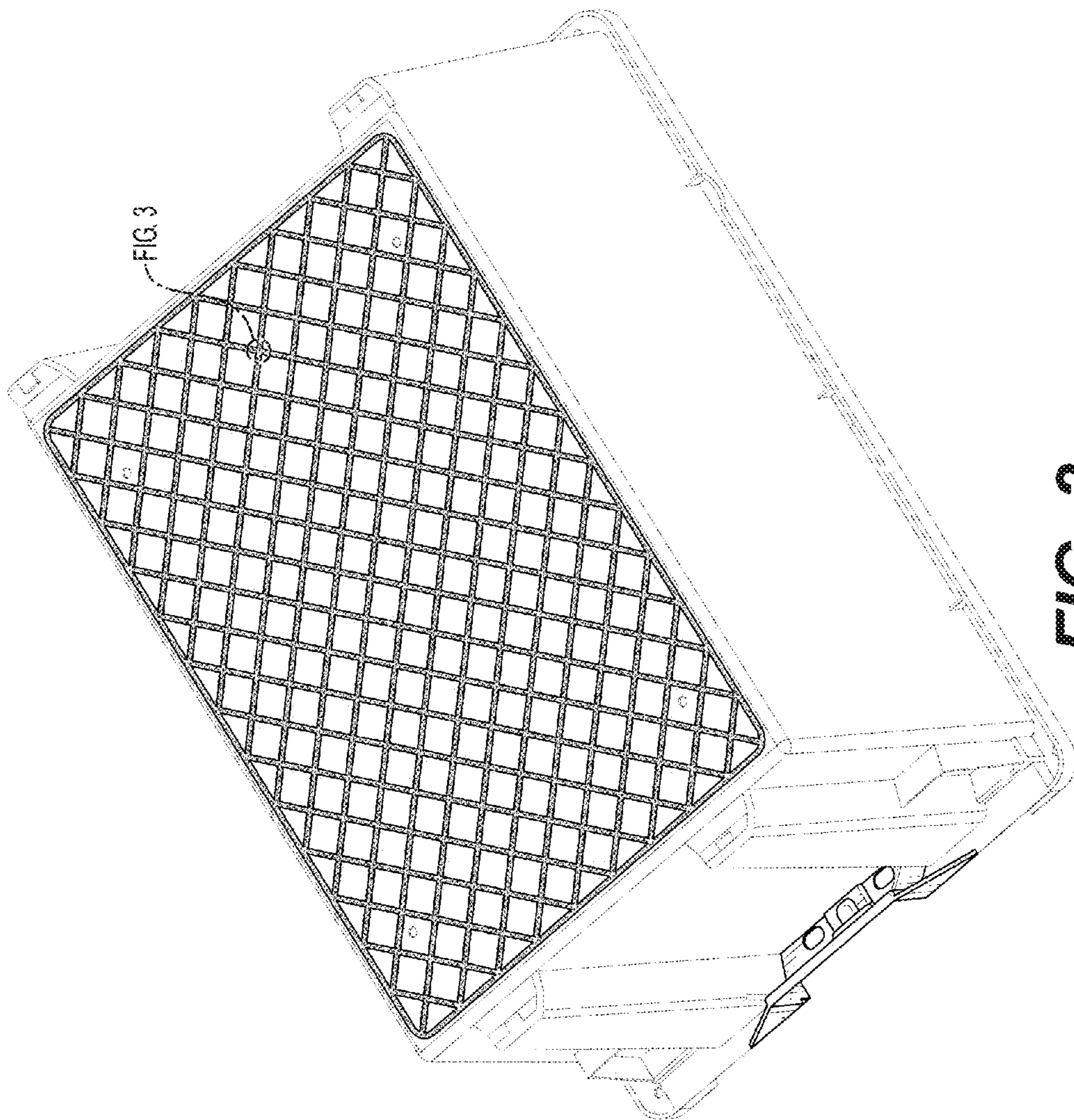


FIG. 2

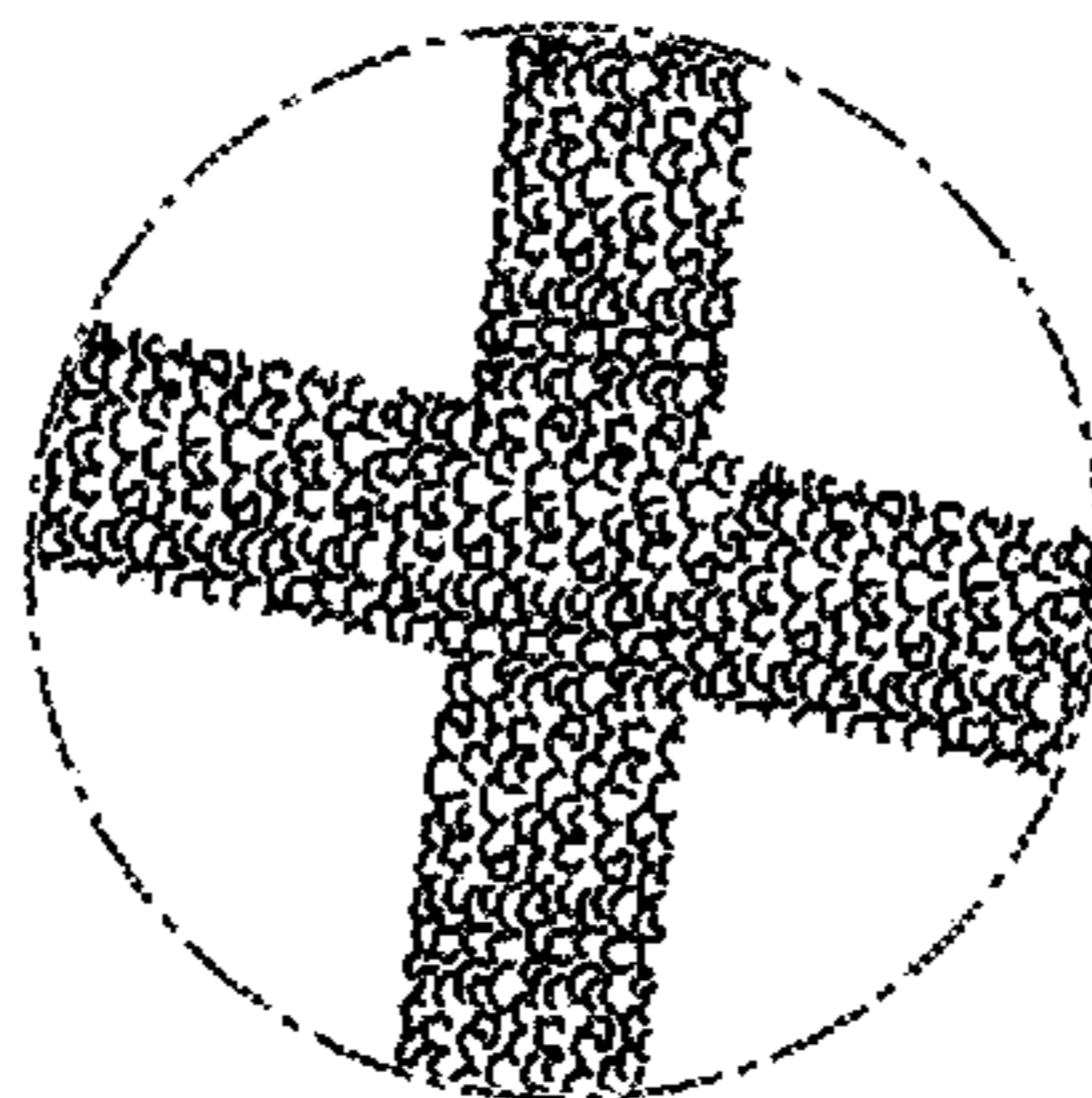


FIG. 3

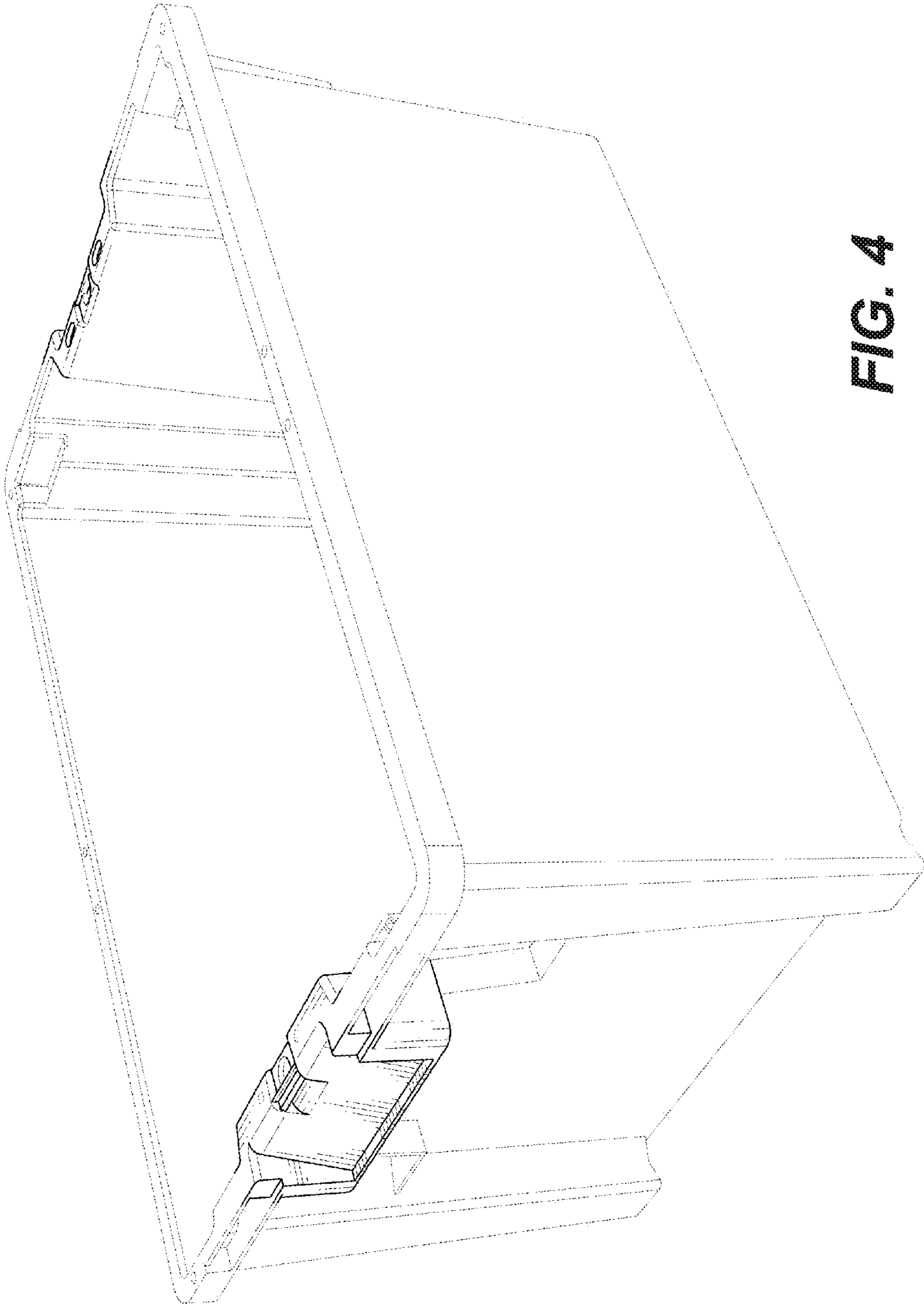


FIG. 4

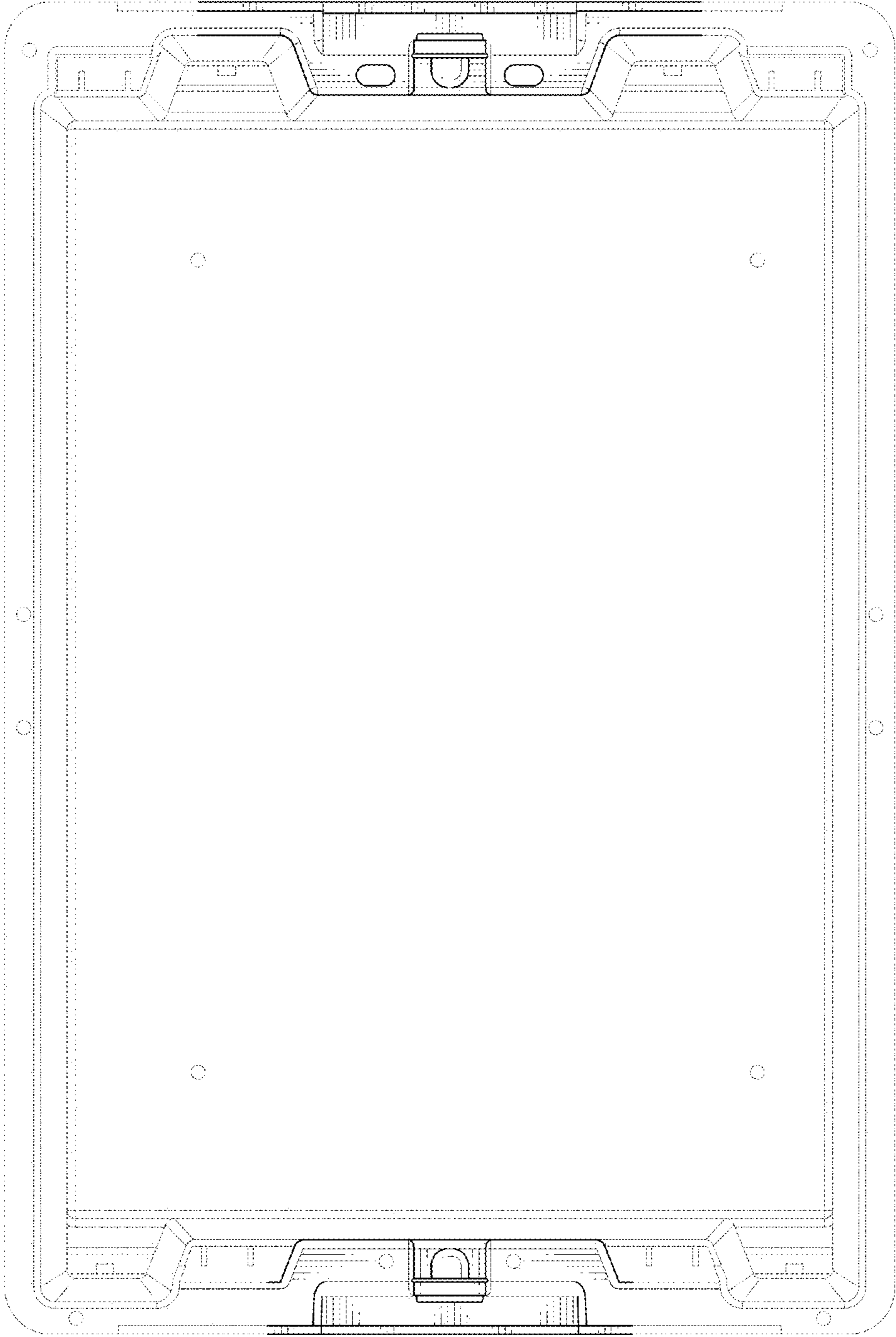


FIG. 5

© 2014 Amazon Technologies Inc.

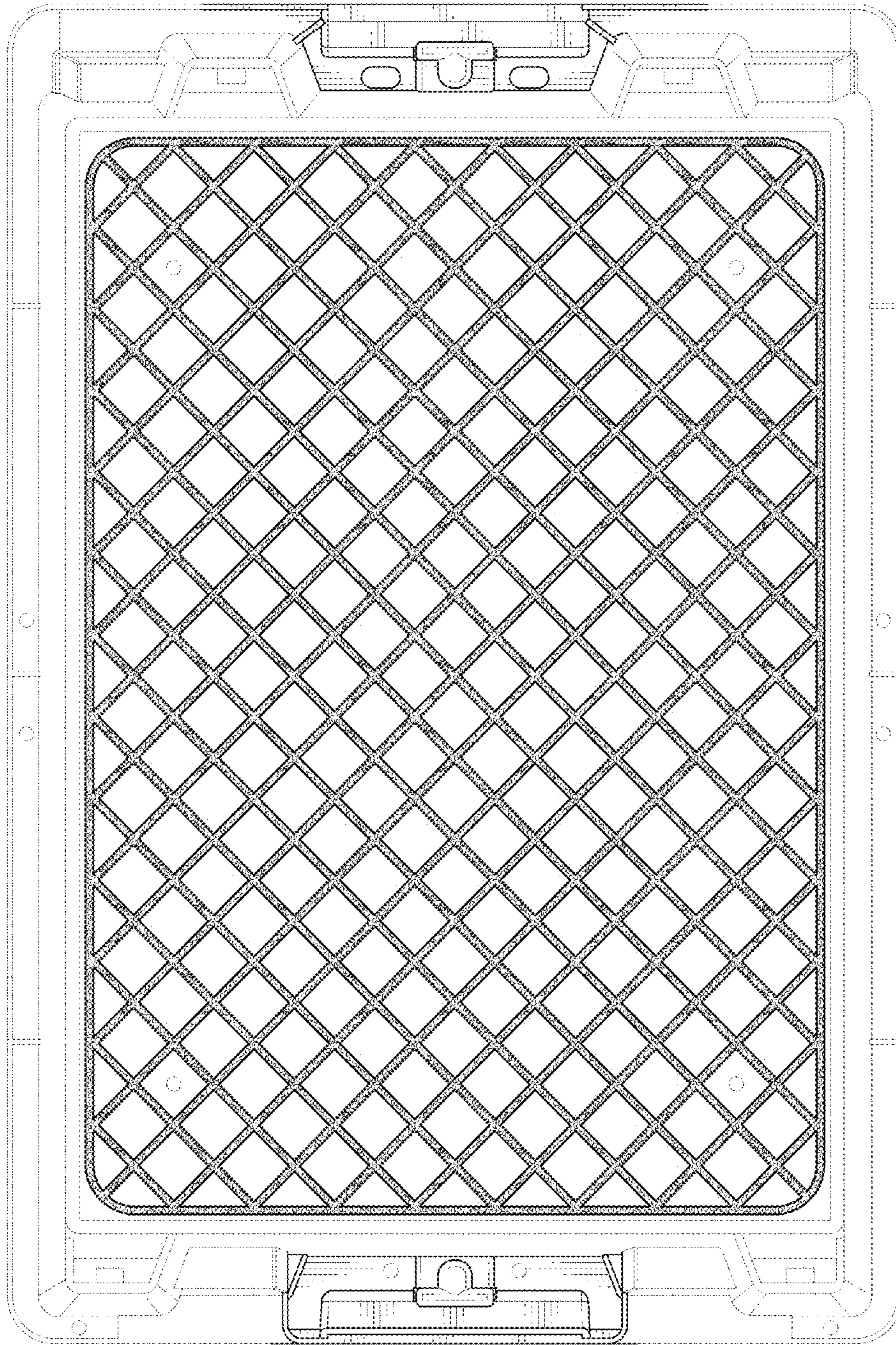


FIG. 6

© 2014 Amazon Technologies Inc.

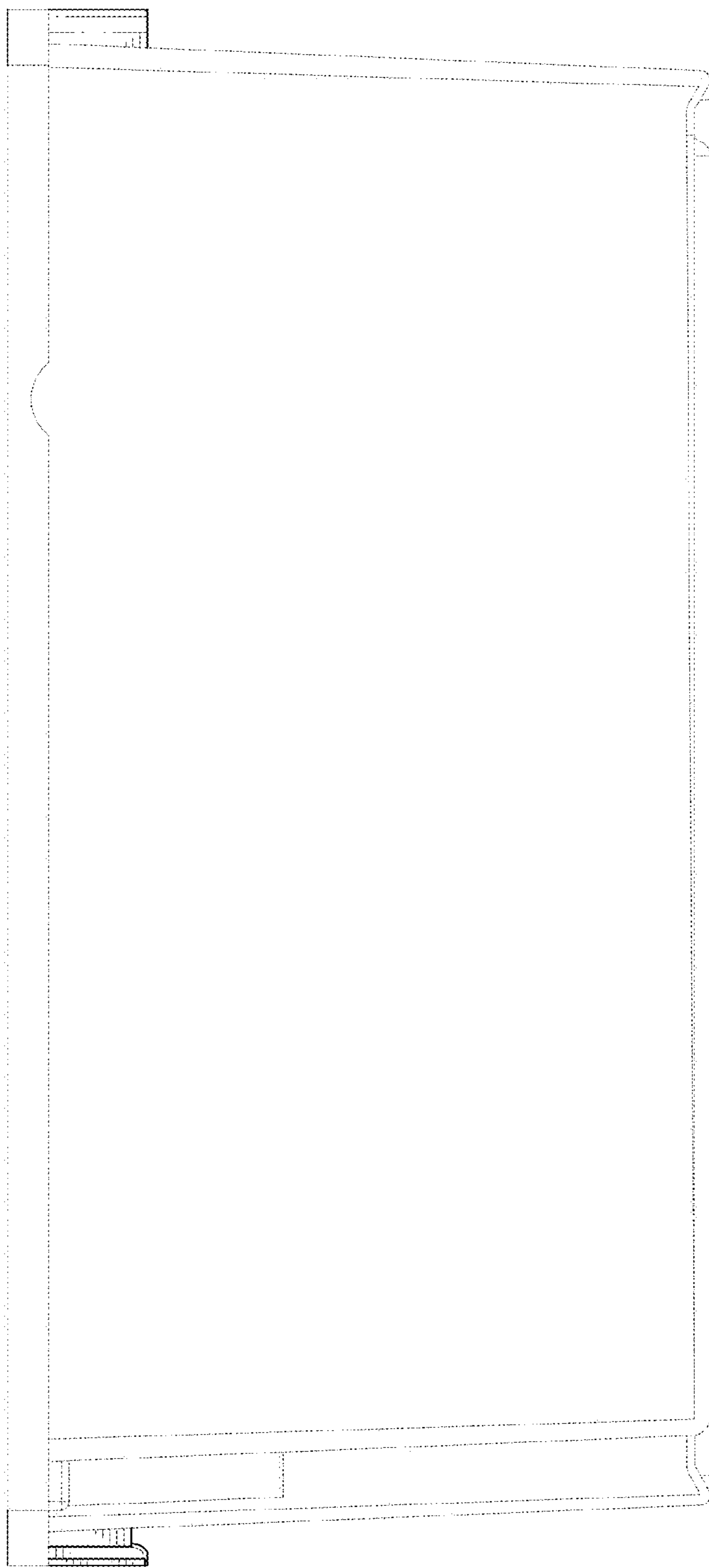


FIG. 7

© 2014 Amazon Technologies Inc.

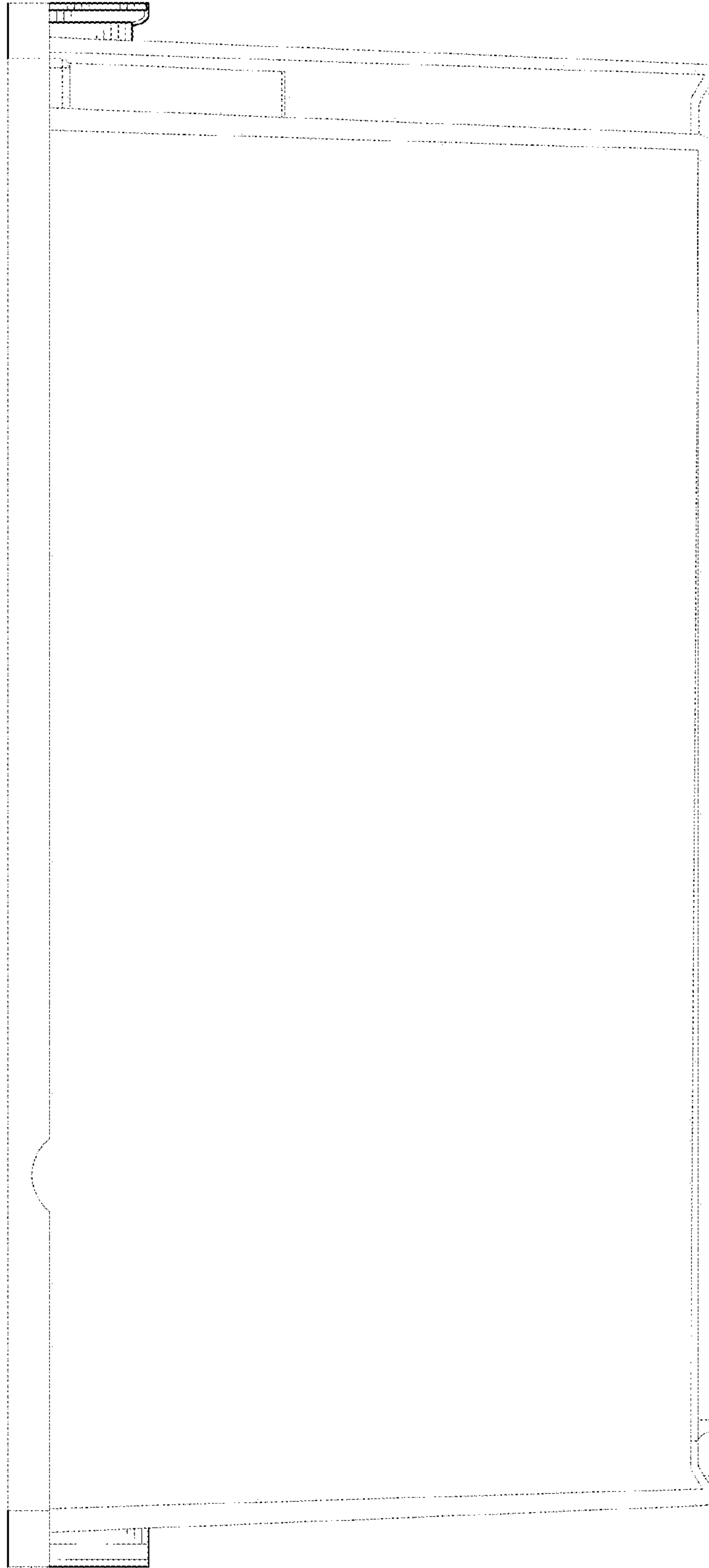


FIG. 8

© 2014 Amazon Technologies Inc.

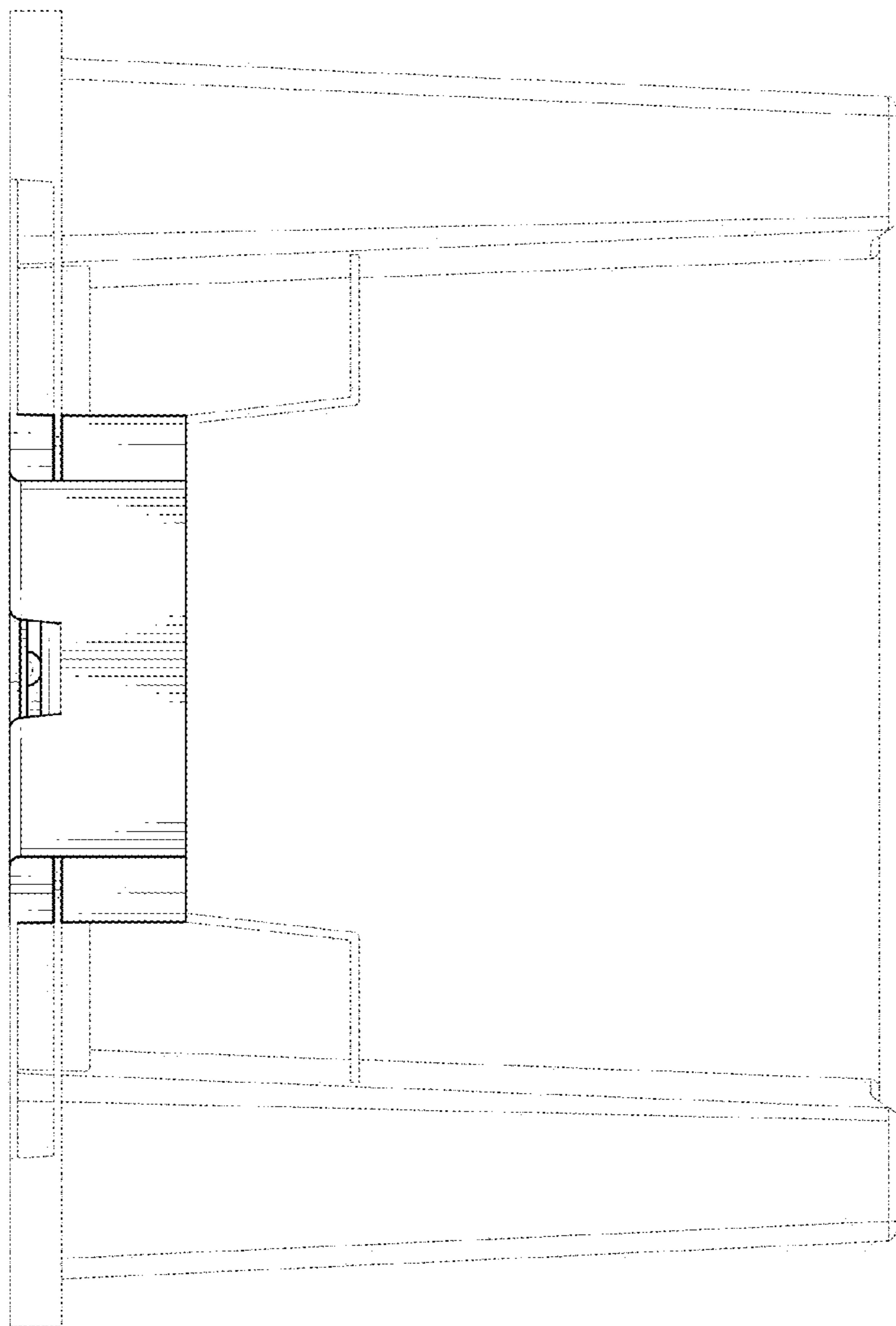


FIG. 9

© 2014 Amazon Technologies Inc.

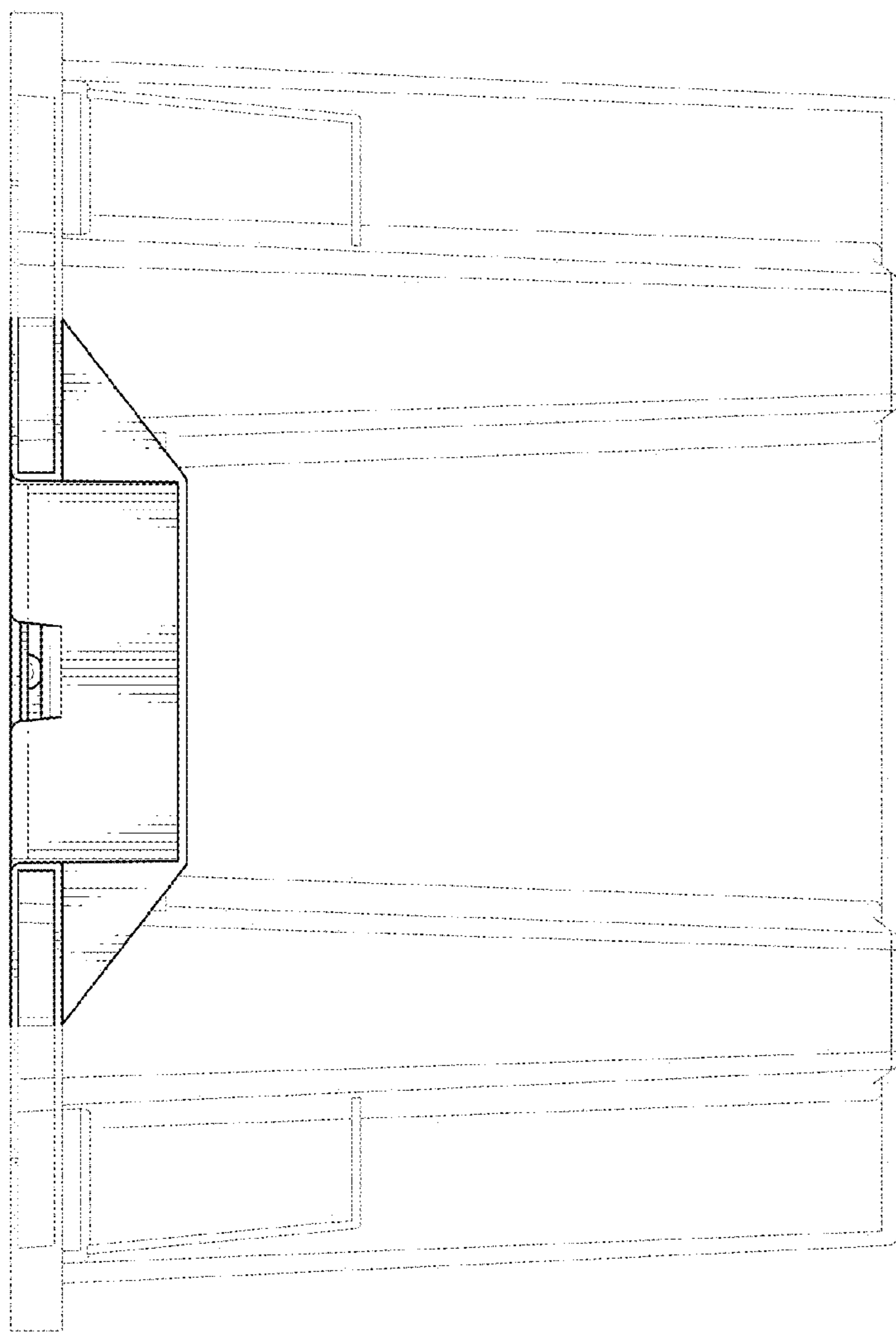


FIG. 10

© 2014 Amazon Technologies Inc.

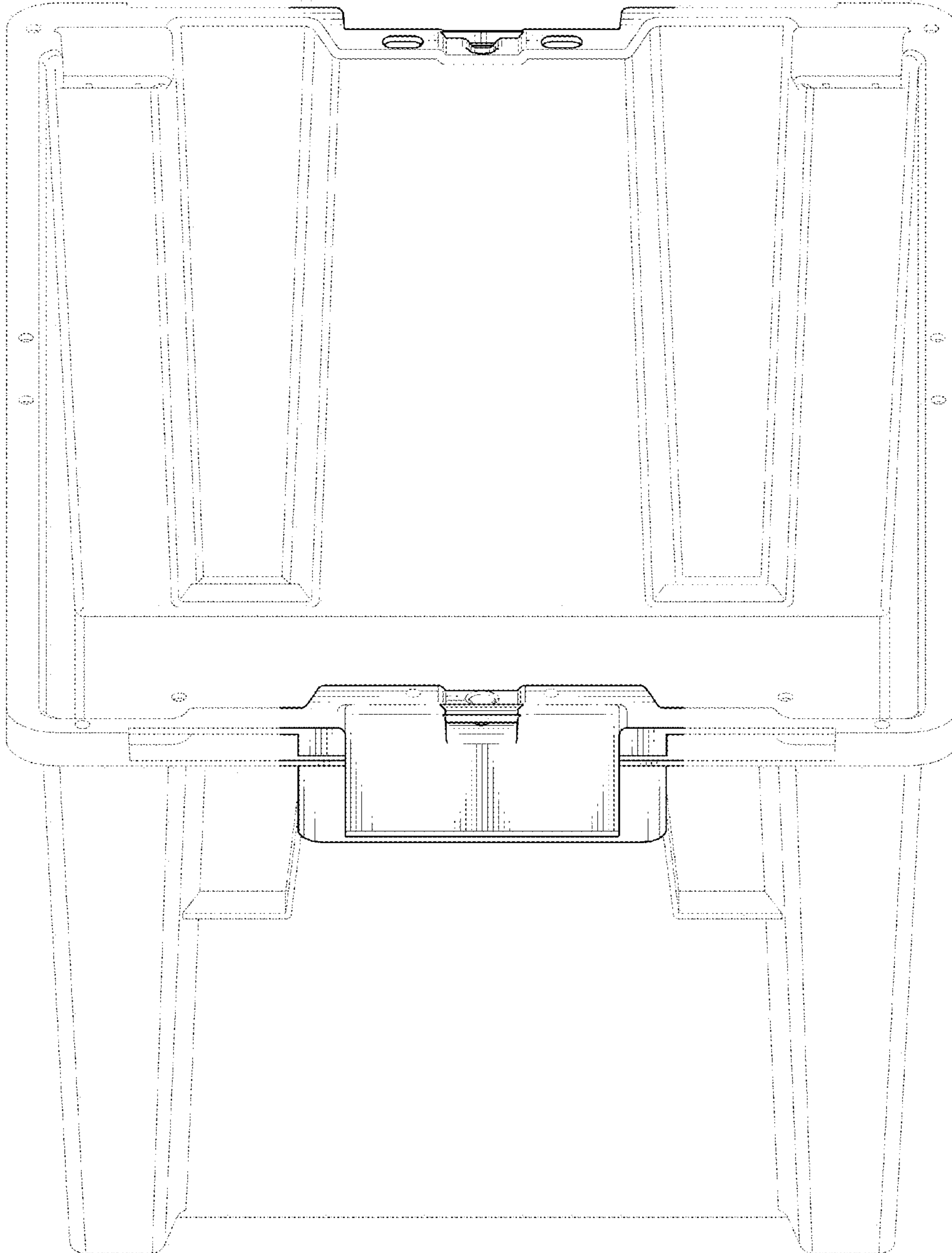


FIG. 11

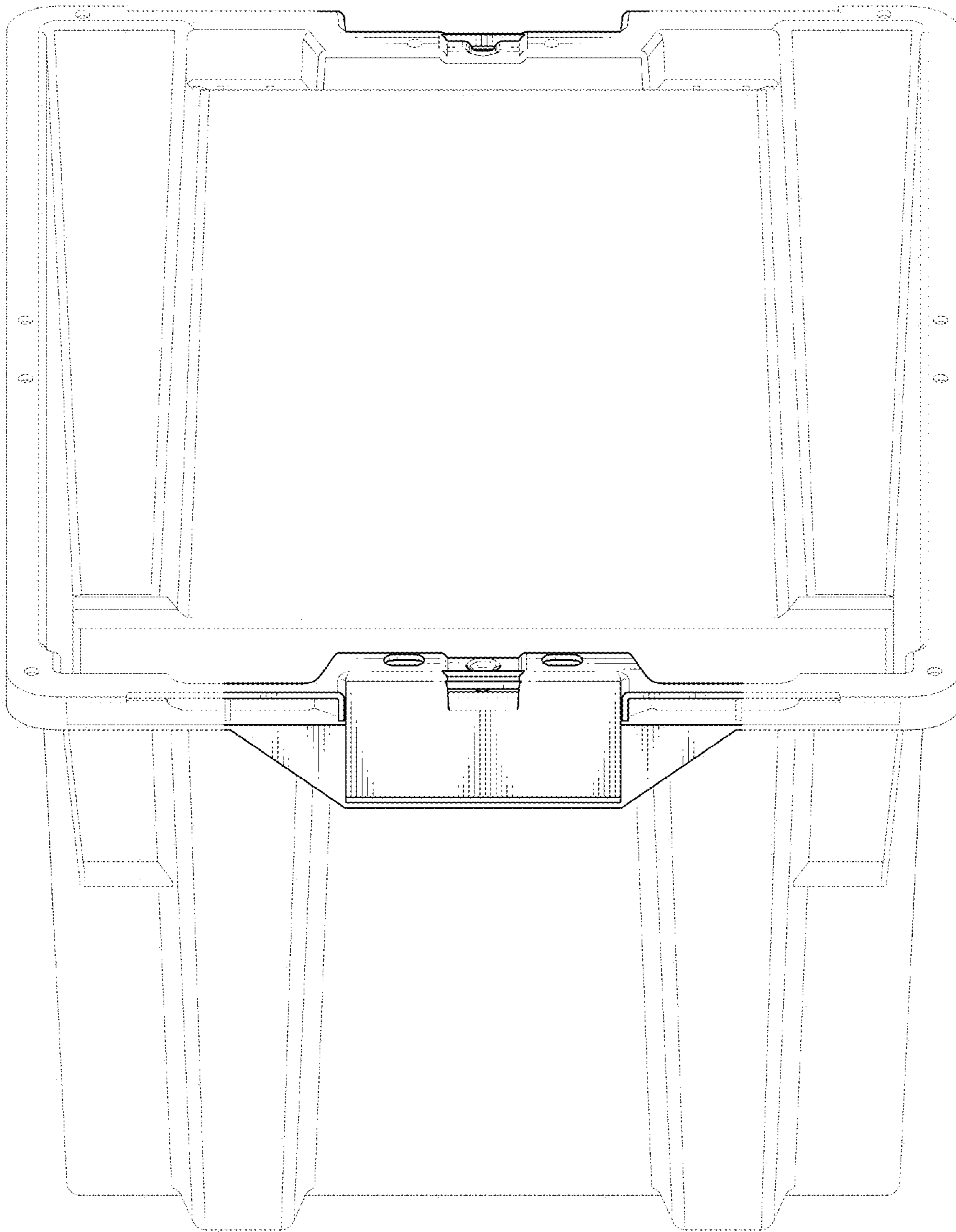
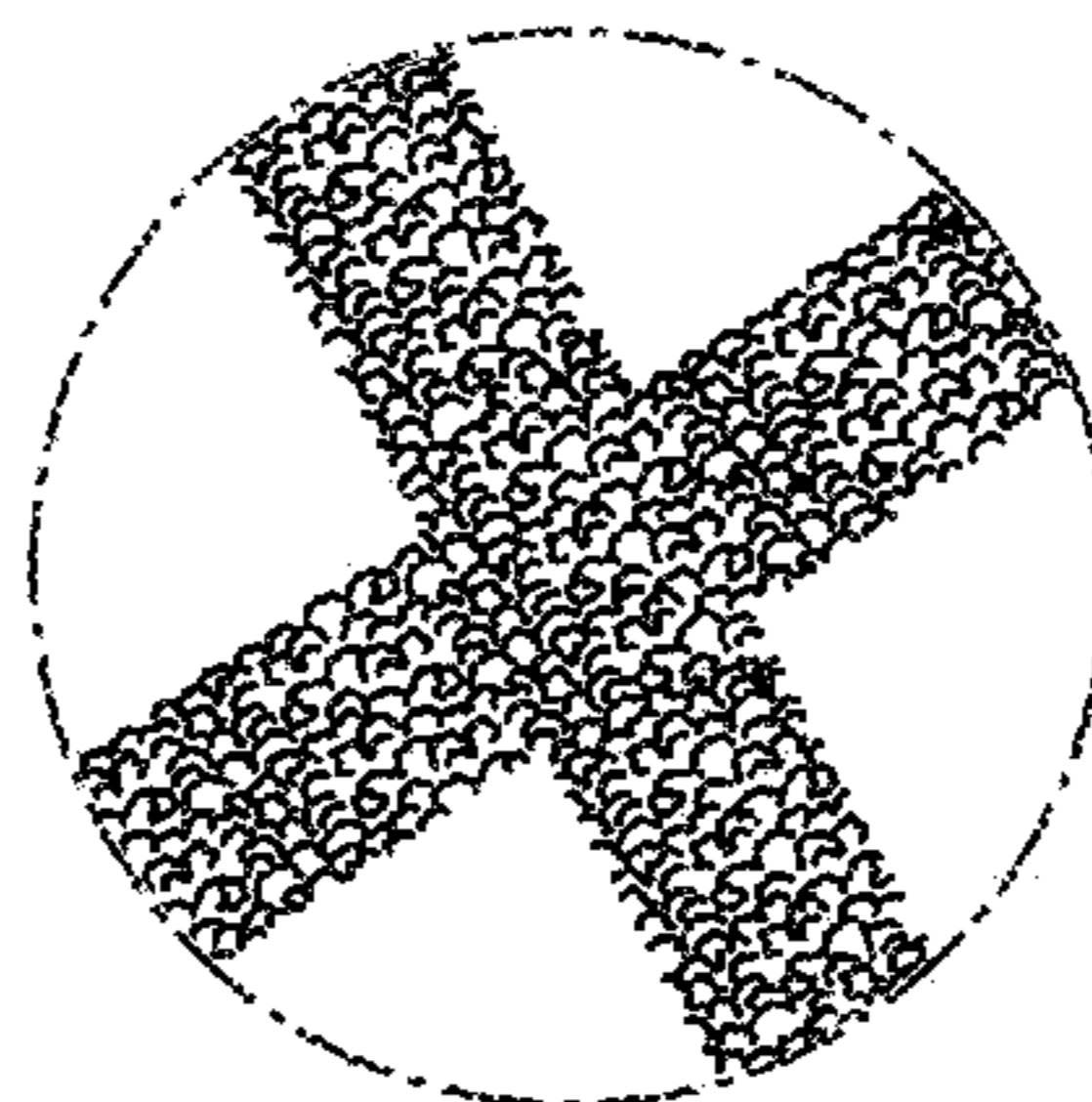
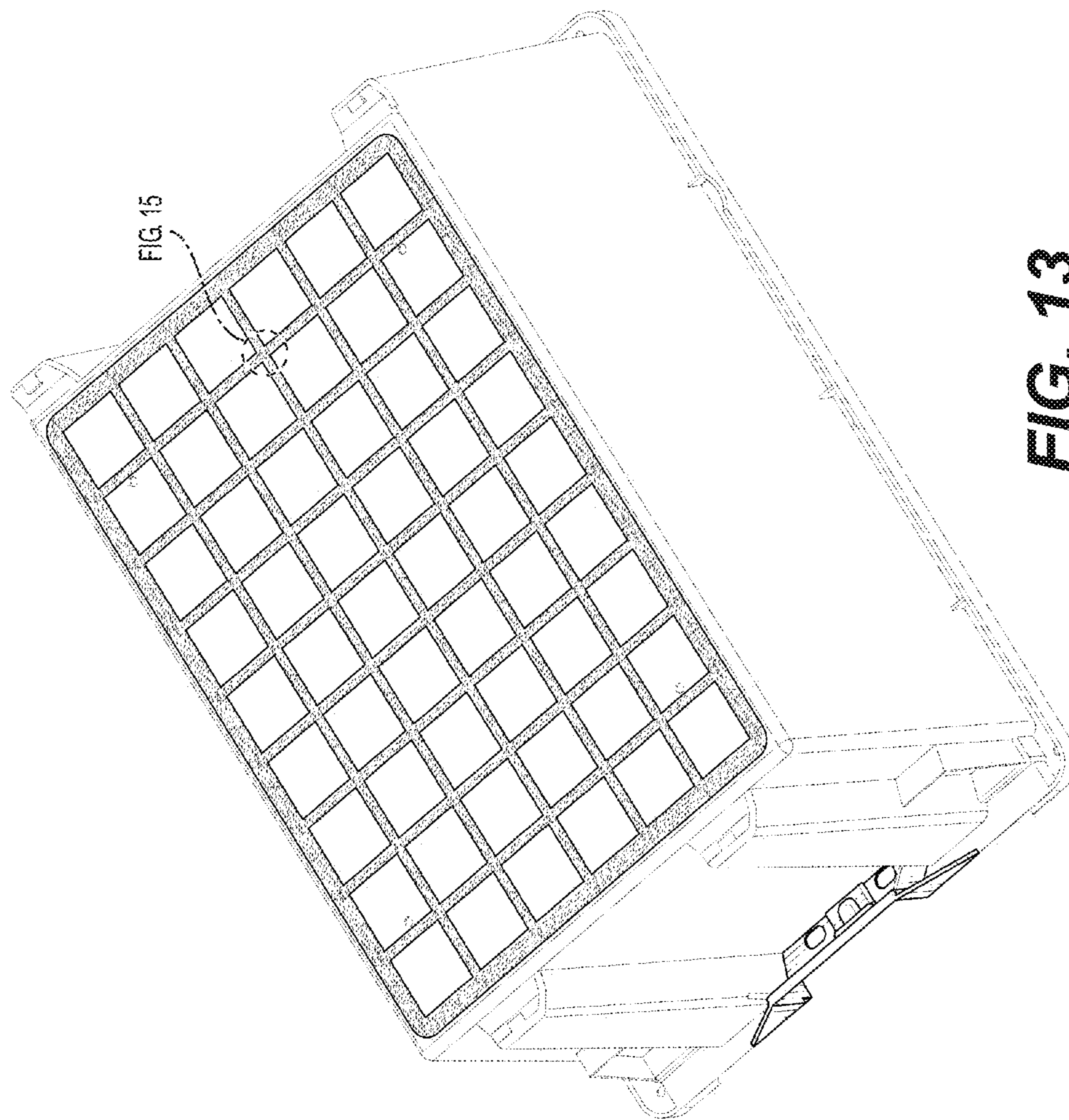


FIG. 12



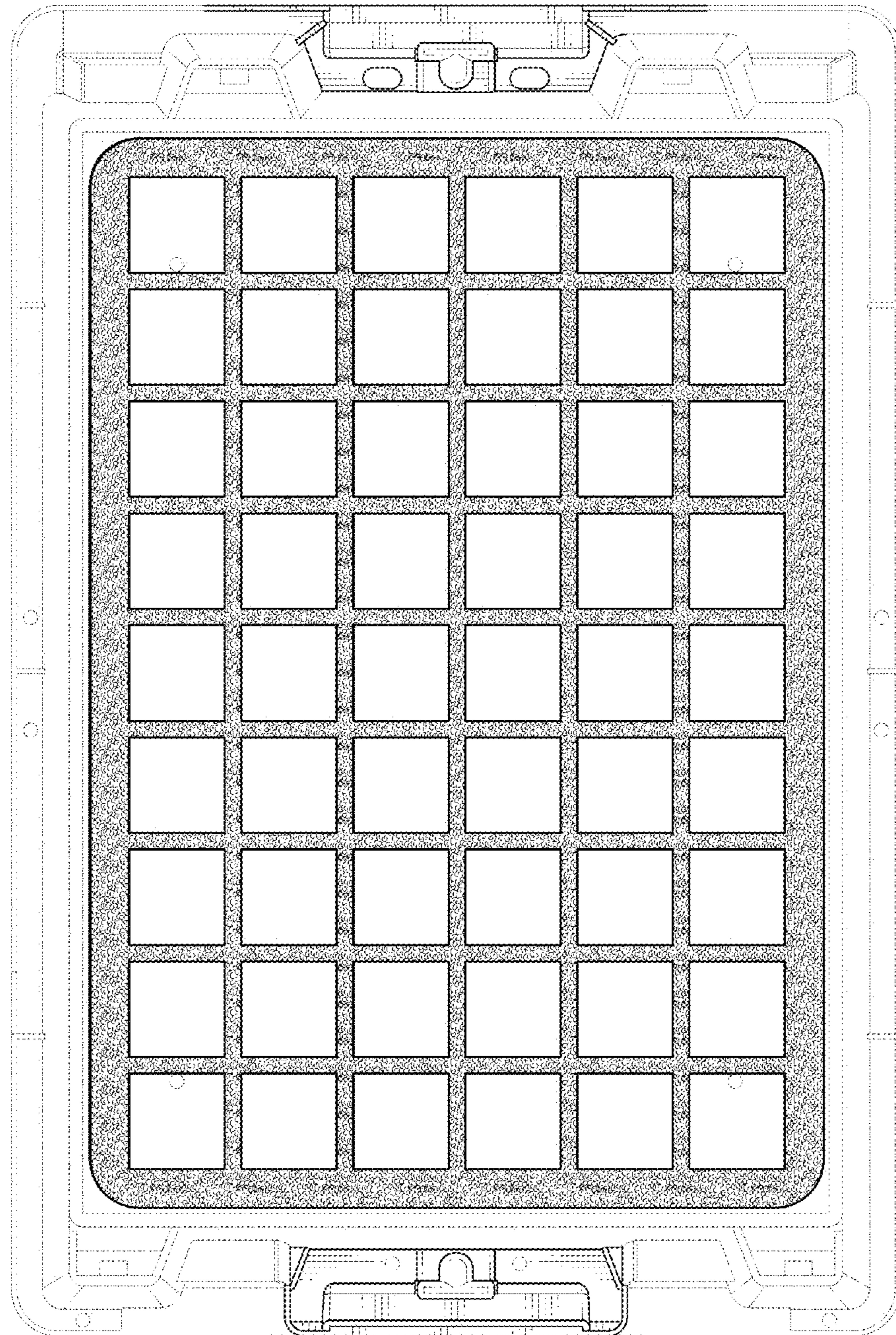


FIG. 15

© 2014 Amazon Technologies Inc.