



US00D758729S

(12) **United States Design Patent**  
**Tonelli et al.**

(10) **Patent No.:** **US D758,729 S**  
(45) **Date of Patent:** **\*\* Jun. 14, 2016**

(54) **TRUNK**  
(71) Applicant: **G.T. LINE-S.R.L.**, Valsamoggia (IT)  
(72) Inventors: **Massimo Tonelli**, Casalecchio di Reno (IT); **Alessio Concettoni**, Ancona (IT)  
(73) Assignee: **G.T. LINE-S.R.L.** (IT)  
(\*\*) Term: **14 Years**

D607,207 S 1/2010 Horiyama et al.  
D609,911 S 2/2010 Twig  
D649,350 S \* 11/2011 Shitrit ..... D3/281

(Continued)

*Primary Examiner* — Jennifer Rivard  
*Assistant Examiner* — April Rivas  
(74) *Attorney, Agent, or Firm* — Cantor Colburn LLP

(57) **CLAIM**  
We claim, the ornamental design for a trunk, as shown and described.

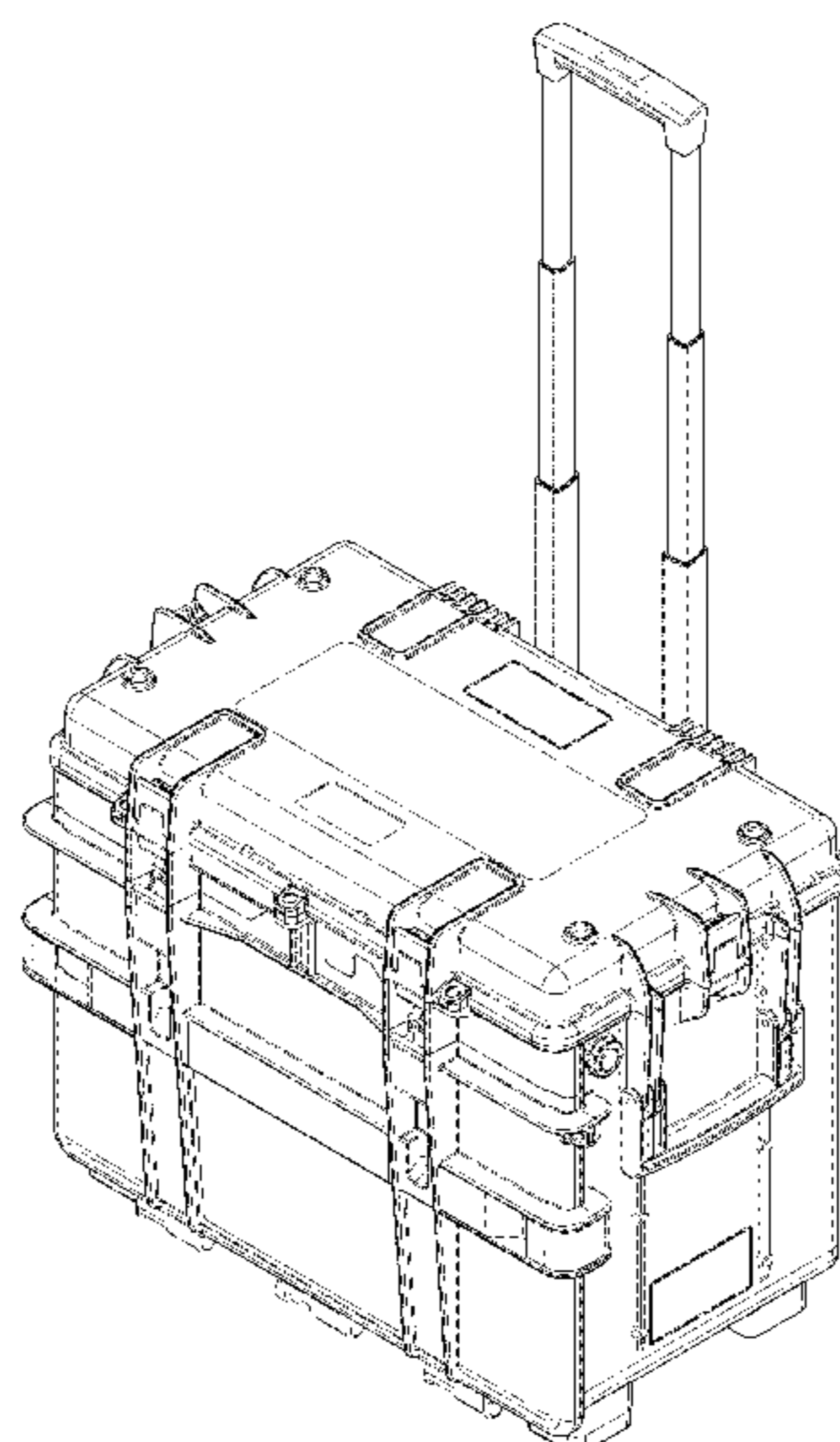
(21) Appl. No.: **29/510,284**  
(22) Filed: **Nov. 26, 2014**  
(30) **Foreign Application Priority Data**  
Jun. 3, 2014 (EM) ..... 002475814  
(51) **LOC (10) Cl.** ..... **03-01**  
(52) **U.S. Cl.**  
USPC ..... **D3/279; D3/284; D3/295; D3/905**  
(58) **Field of Classification Search**  
USPC ..... D3/905, 276, 279–284, 291, 294, 295,  
D3/298, 901, 302, 272, 273, 274, 903;  
206/372–379, 508; 220/523–528, 826,  
220/844  
CPC ..... B25H 3/02; B25H 3/021; B25H 3/022;  
B25H 3/023; B25H 3/025; B25H 3/026;  
B25H 3/027; B25H 3/028; B25H 3/00;  
B25H 3/003; B25H 3/006  
See application file for complete search history.

**DESCRIPTION**

FIG. 1 is a perspective view of a trunk showing our new design in a first embodiment;  
FIG. 2 is a front view thereof;  
FIG. 3 is a rear view thereof;  
FIG. 4 is a left side view thereof;  
FIG. 5 is a top view thereof;  
FIG. 6 is a bottom view thereof;  
FIG. 7 is a perspective view thereof with a handle extended;  
FIG. 8 is a right side view of the trunk with the handle in a closed configuration; and  
FIG. 9 is a perspective view of the trunk in an open configuration.  
FIG. 10 is a perspective view of a second embodiment of the trunk;  
FIG. 11 is a front view thereof;  
FIG. 12 is a rear view thereof;  
FIG. 13 is a left side view thereof;  
FIG. 14 is a top view thereof;  
FIG. 15 is a bottom view thereof;  
FIG. 16 is a perspective view thereof with the handle extended;  
FIG. 17 is a right side view; of the trunk with the handle in a closed configuration; and,  
FIG. 18 is a perspective view of the trunk in an open configuration.  
The broken lines shown in the drawings illustrate portions of the trunk and form no part of the claimed design.

(56) **References Cited**  
U.S. PATENT DOCUMENTS  
D441,954 S 5/2001 Parker  
D454,430 S 3/2002 Sijmons  
D462,168 S 9/2002 Klemmensen et al.  
D467,426 S \* 12/2002 Hardigg et al. .... D3/279  
D489,528 S 5/2004 Ihenacho et al.  
6,761,366 B1 \* 7/2004 Klemmensen et al. .... 280/47.26  
D523,242 S 6/2006 Hardigg et al.

**1 Claim, 18 Drawing Sheets**



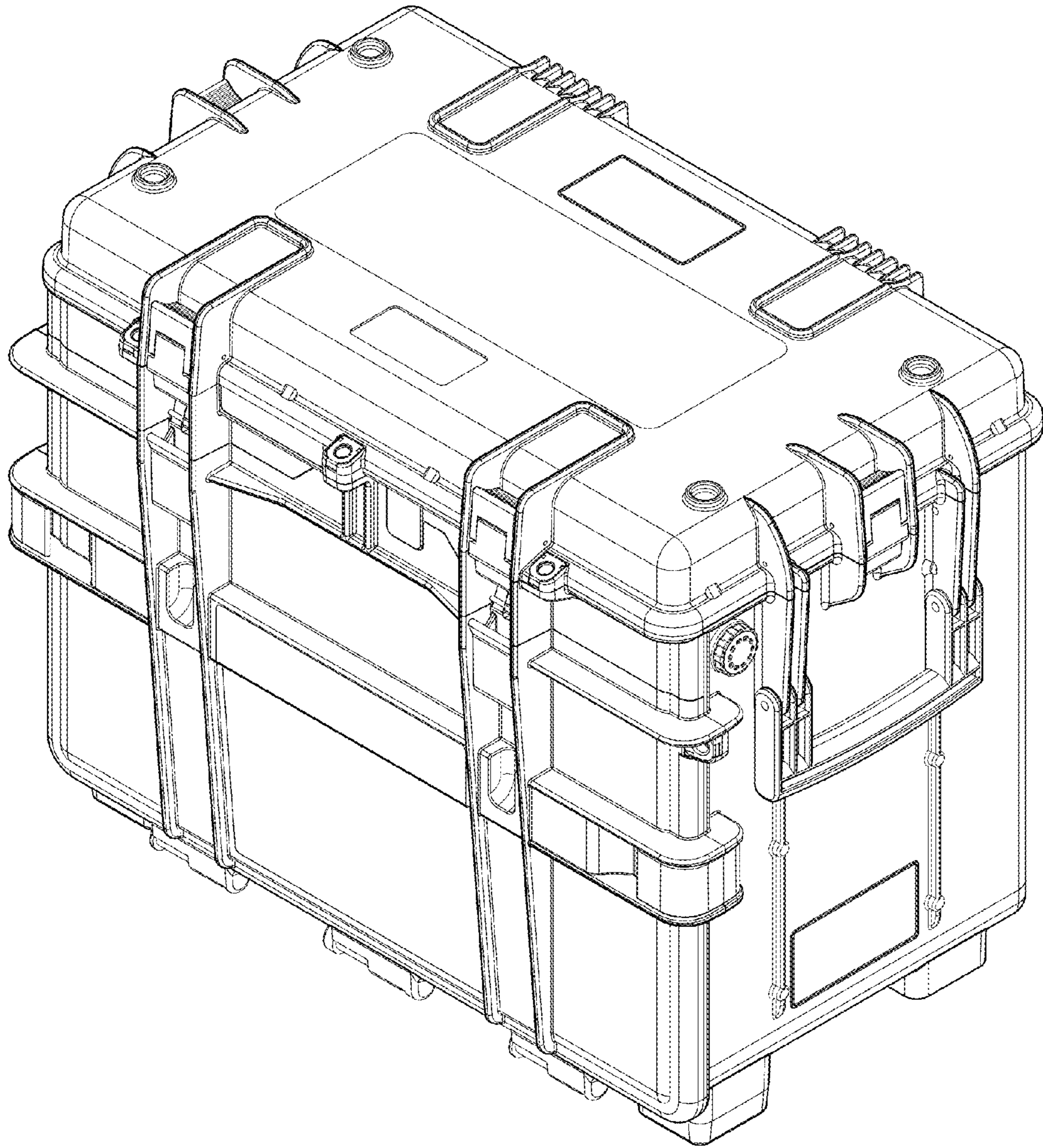
(56)

**References Cited**

U.S. PATENT DOCUMENTS

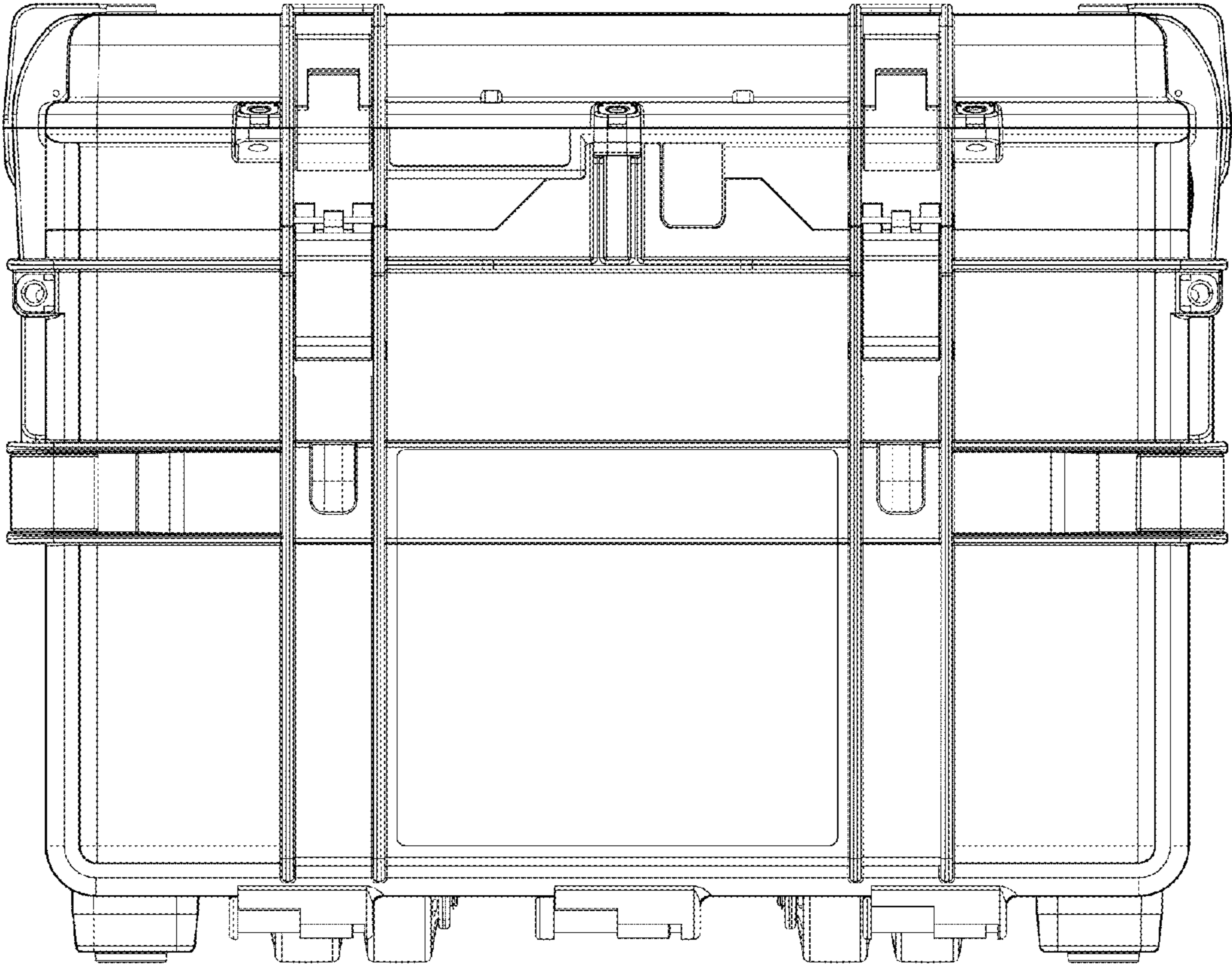
D649,783 S *	12/2011	Brunner	.....	D3/279	D711,105 S *	8/2014	Brunner	.....	D3/281
D653,832 S *	2/2012	Vilkomirski et al.	.....	D34/25	D718,051 S *	11/2014	Frahm et al.	.....	D3/279
D668,869 S *	10/2012	Yamamoto et al.	.....	D3/281	D724,320 S	3/2015	Russell et al.		
D693,121 S *	11/2013	Bensman et al.	.....	D3/279	D728,934 S *	5/2015	Brunner	.....	D3/281
D702,044 S *	4/2014	Shitrit et al.	.....	D3/281	D742,640 S	11/2015	Sabbag et al.		
D709,287 S *	7/2014	Shitrit	.....	D3/279	2002/0117414 A1	8/2002	Kipper et al.		
D710,099 S *	8/2014	Horovitz et al.	.....	D3/279	2002/0125159 A1	9/2002	Hann		
D710,100 S *	8/2014	Brunner	.....	D3/279	2004/0134818 A1	7/2004	Cunningham et al.		
					2009/0078593 A1	3/2009	Patstone		
					2011/0127264 A1	6/2011	Whalen		
					2014/0197059 A1	7/2014	Evans et al.		

\* cited by examiner

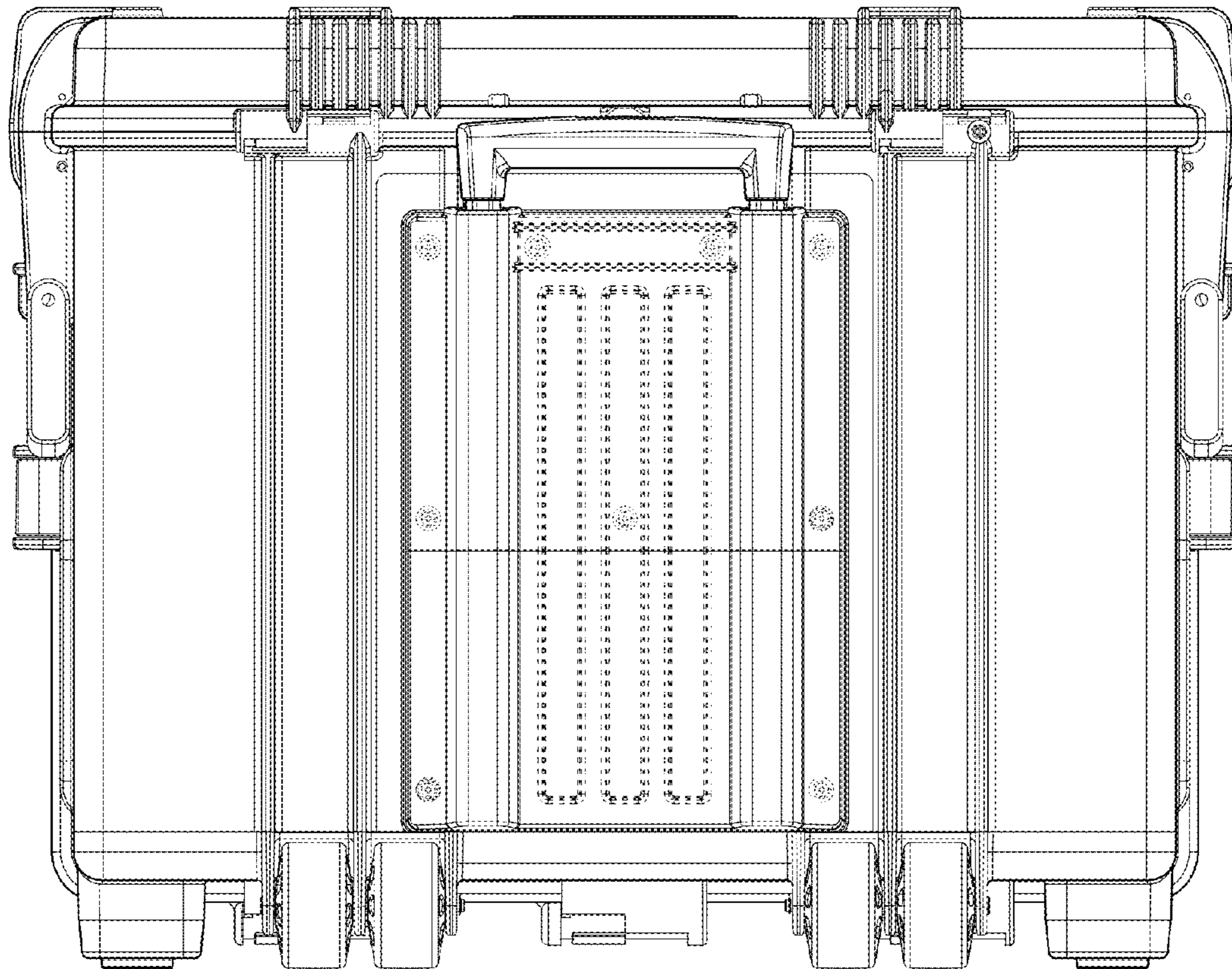


*Fig. 1*

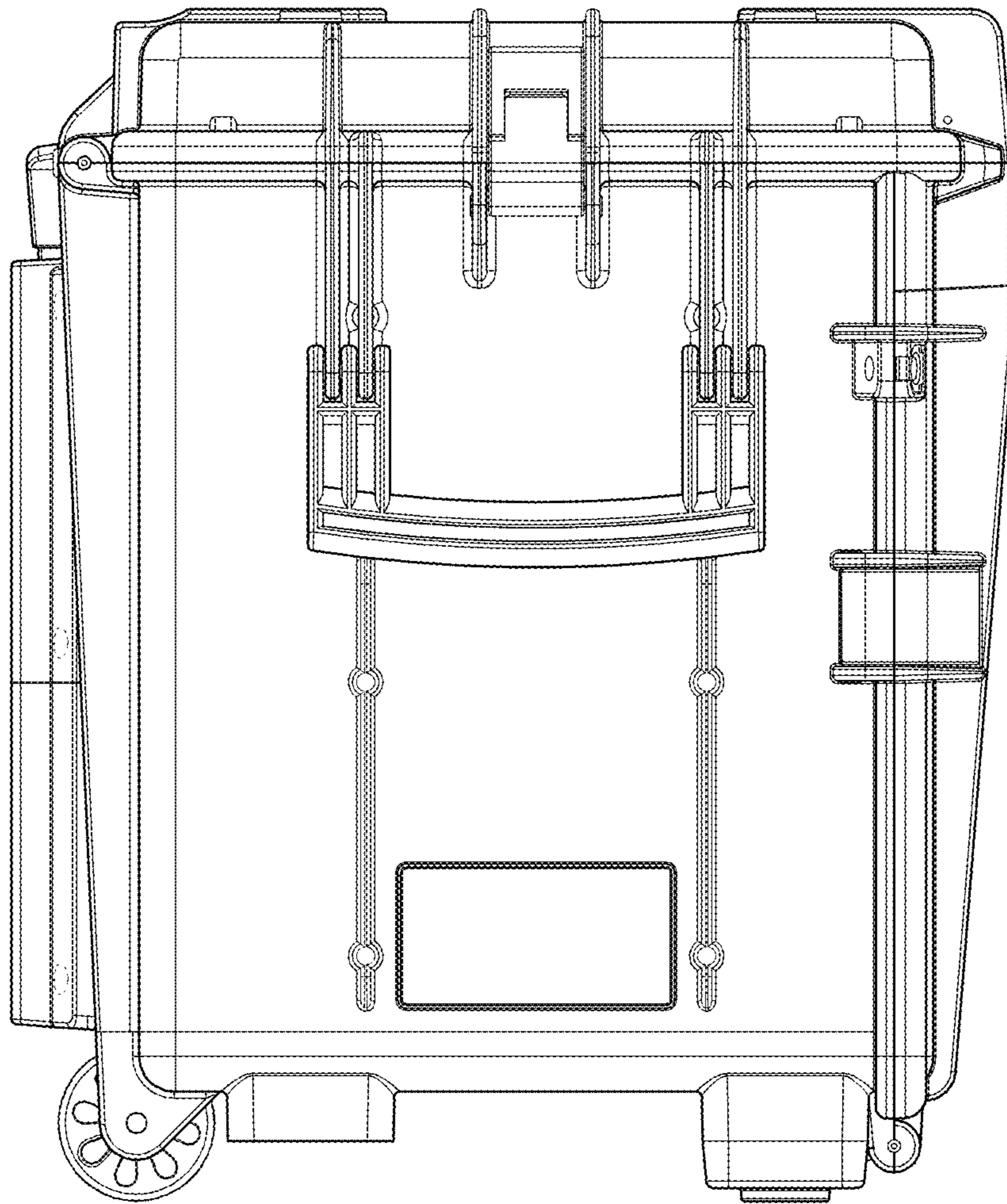




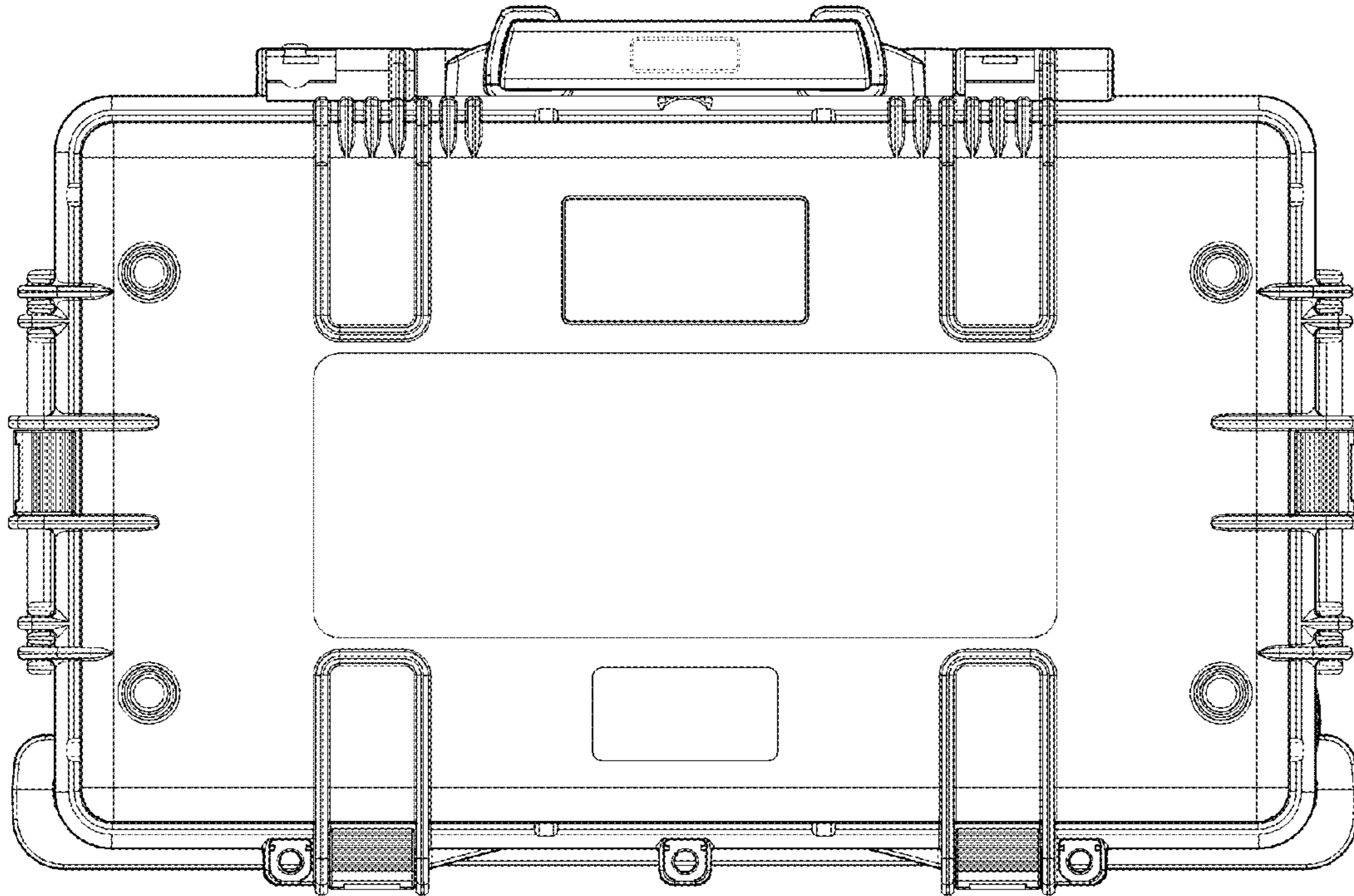
*Fig. 2*



*Fig. 3*

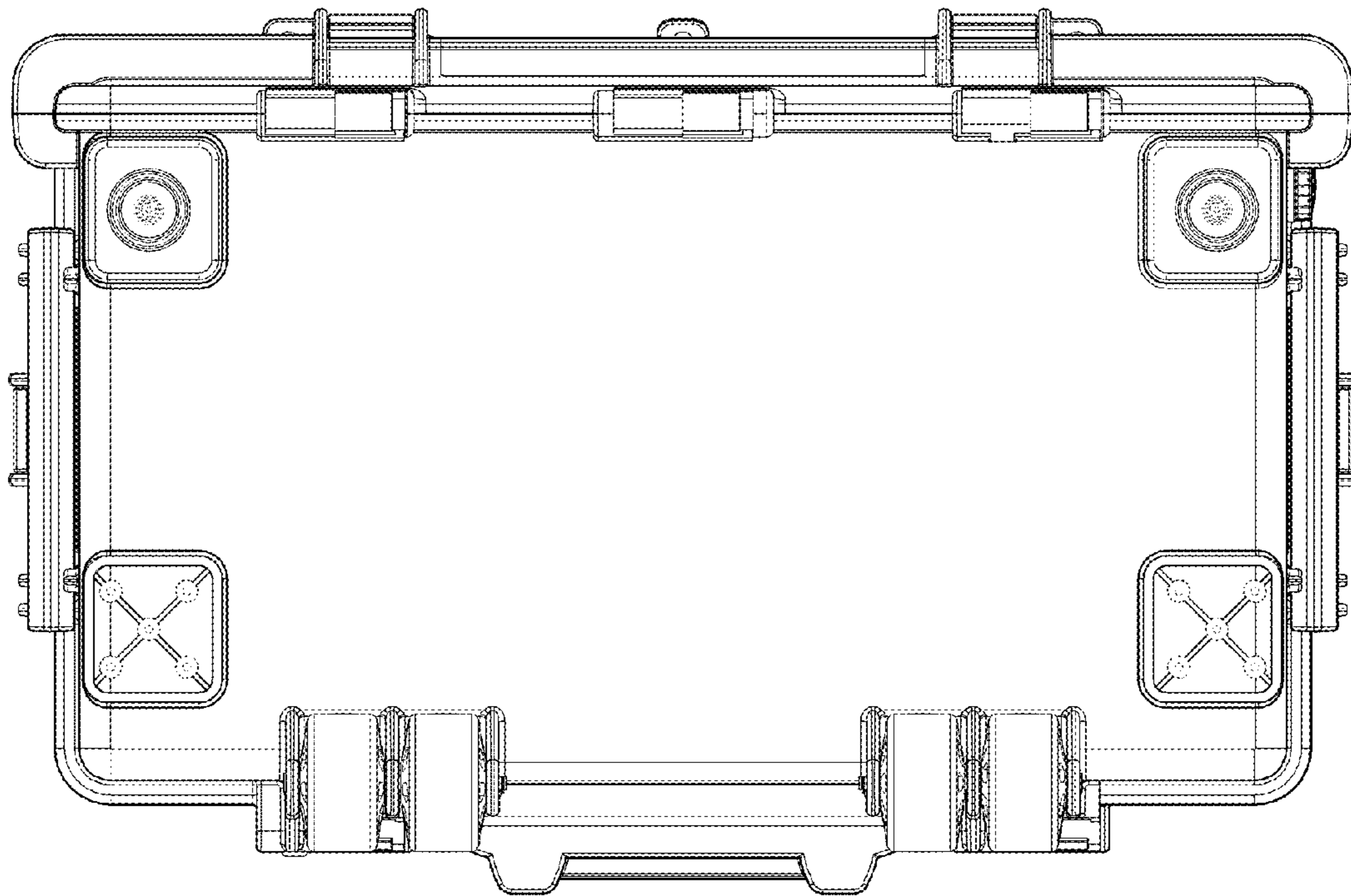


*Fig. 4*



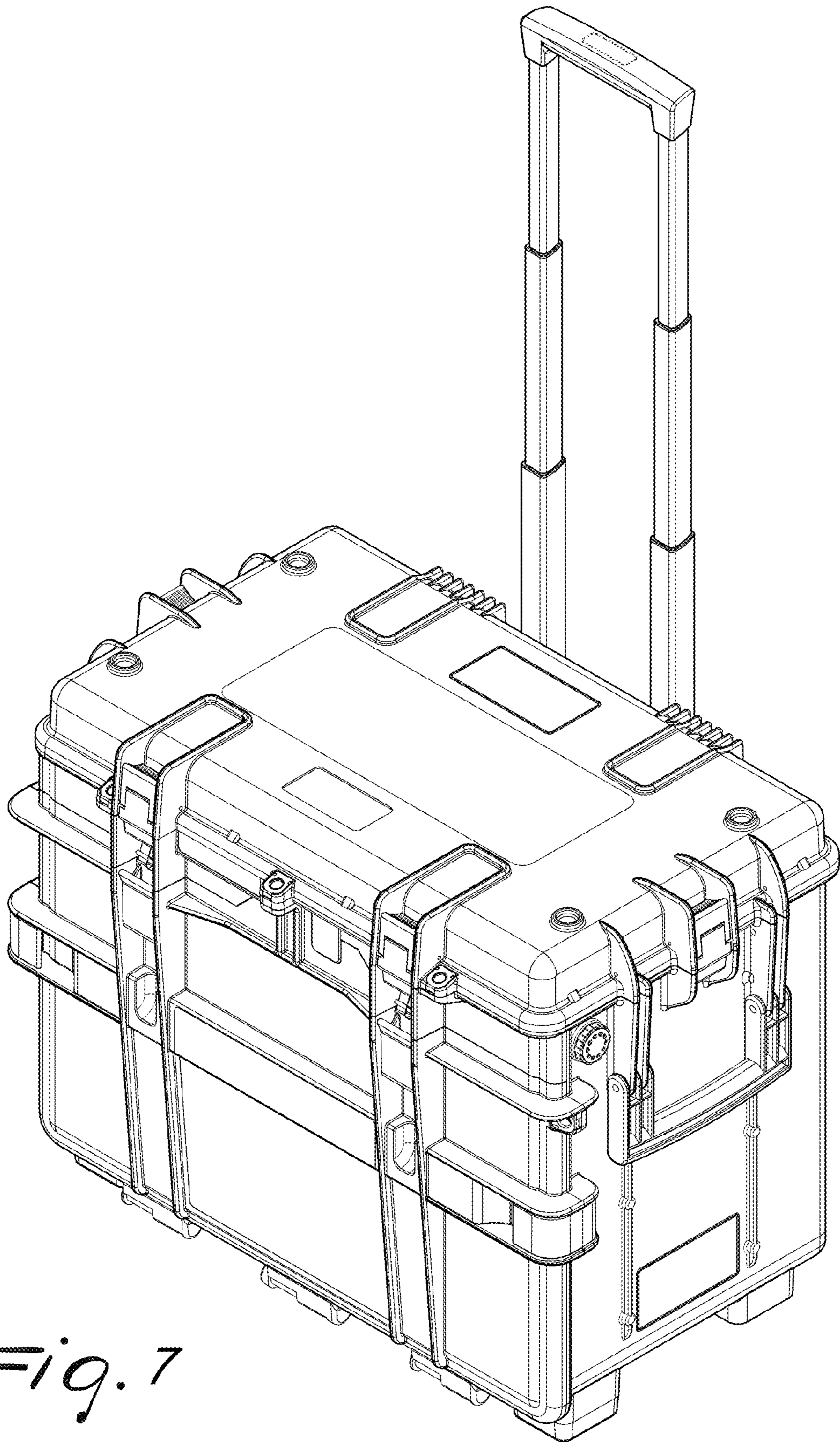
*Fig. 5*



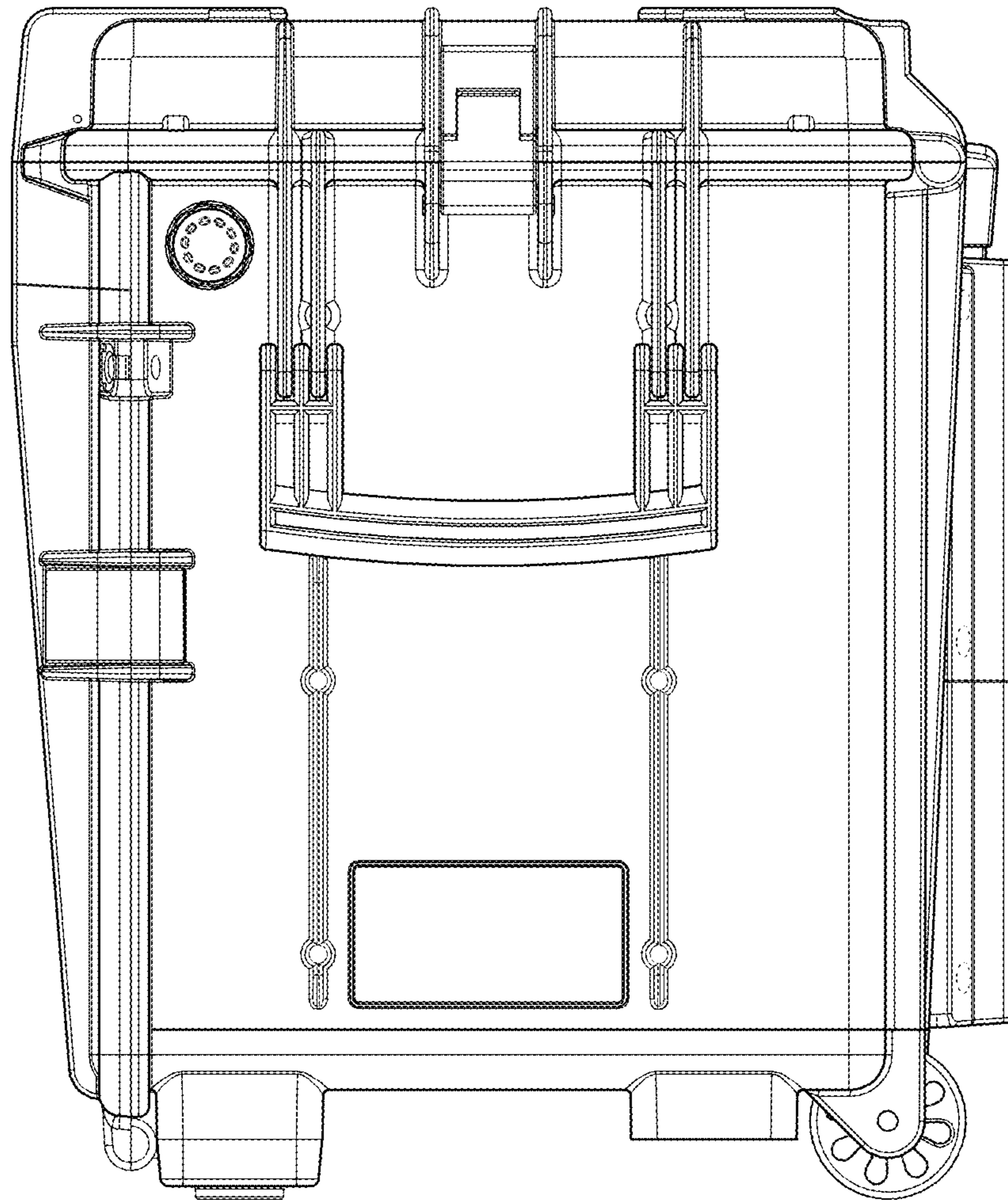


*Fig. 6*



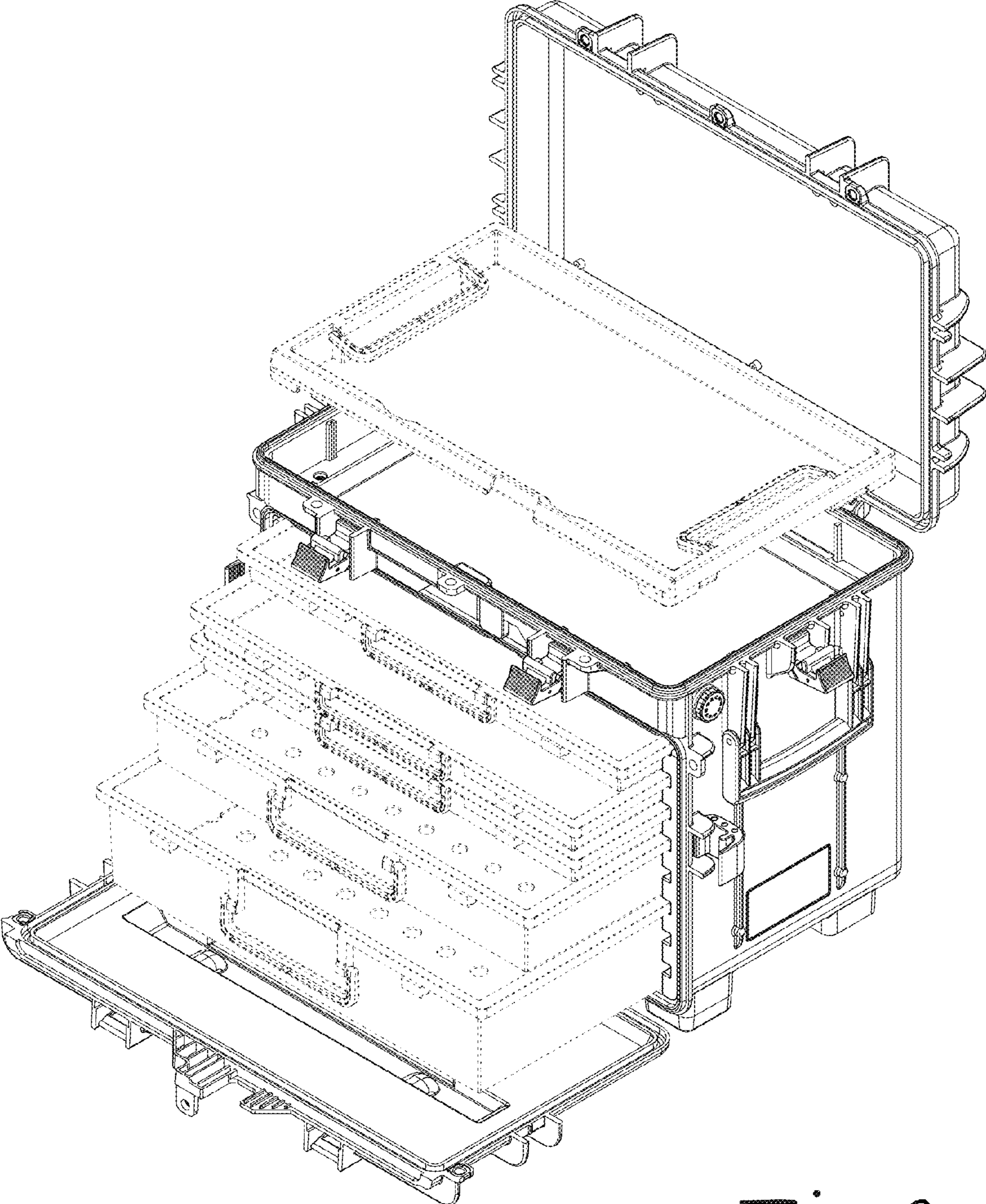


*Fig. 7*



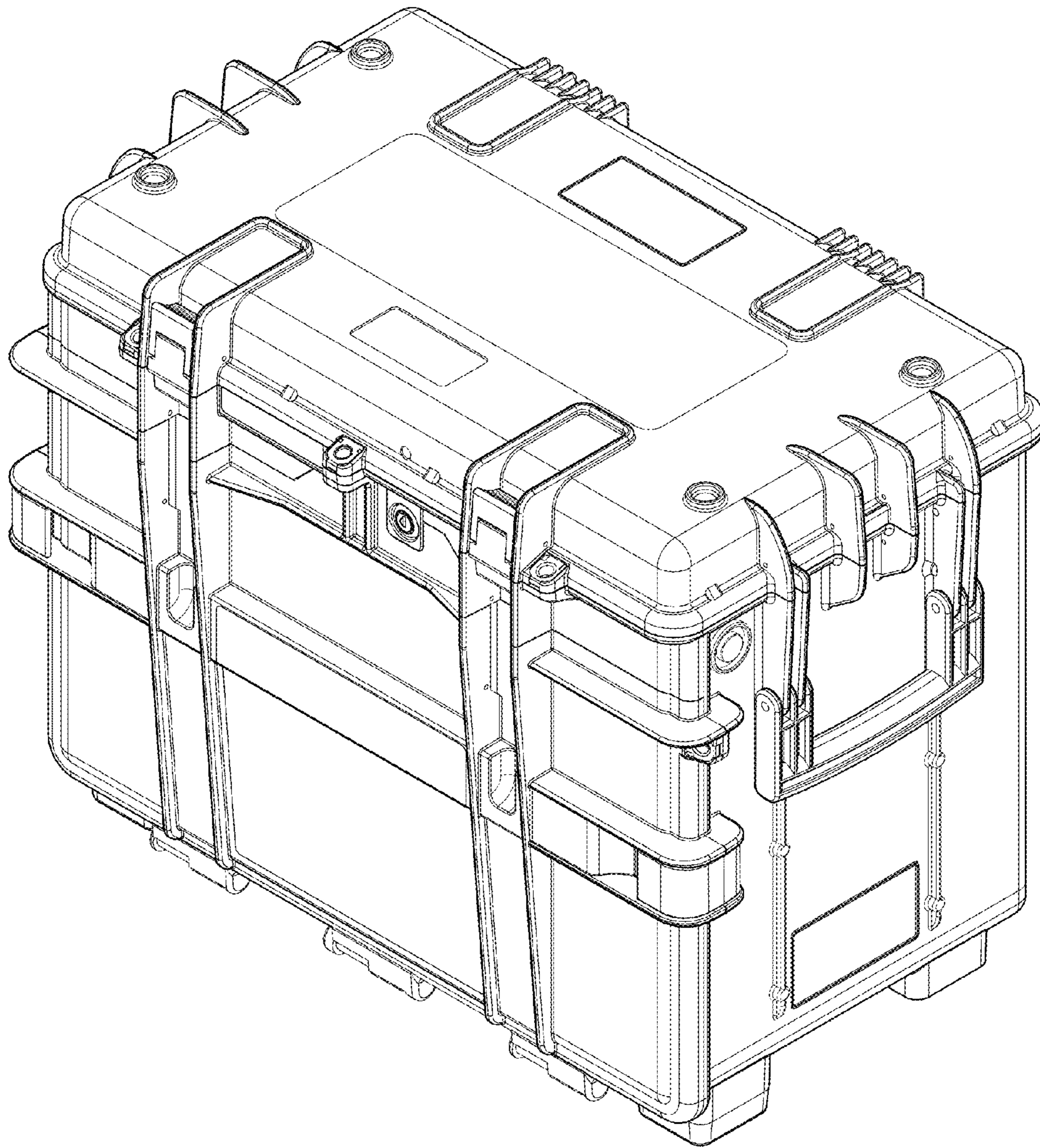
*Fig. 8*



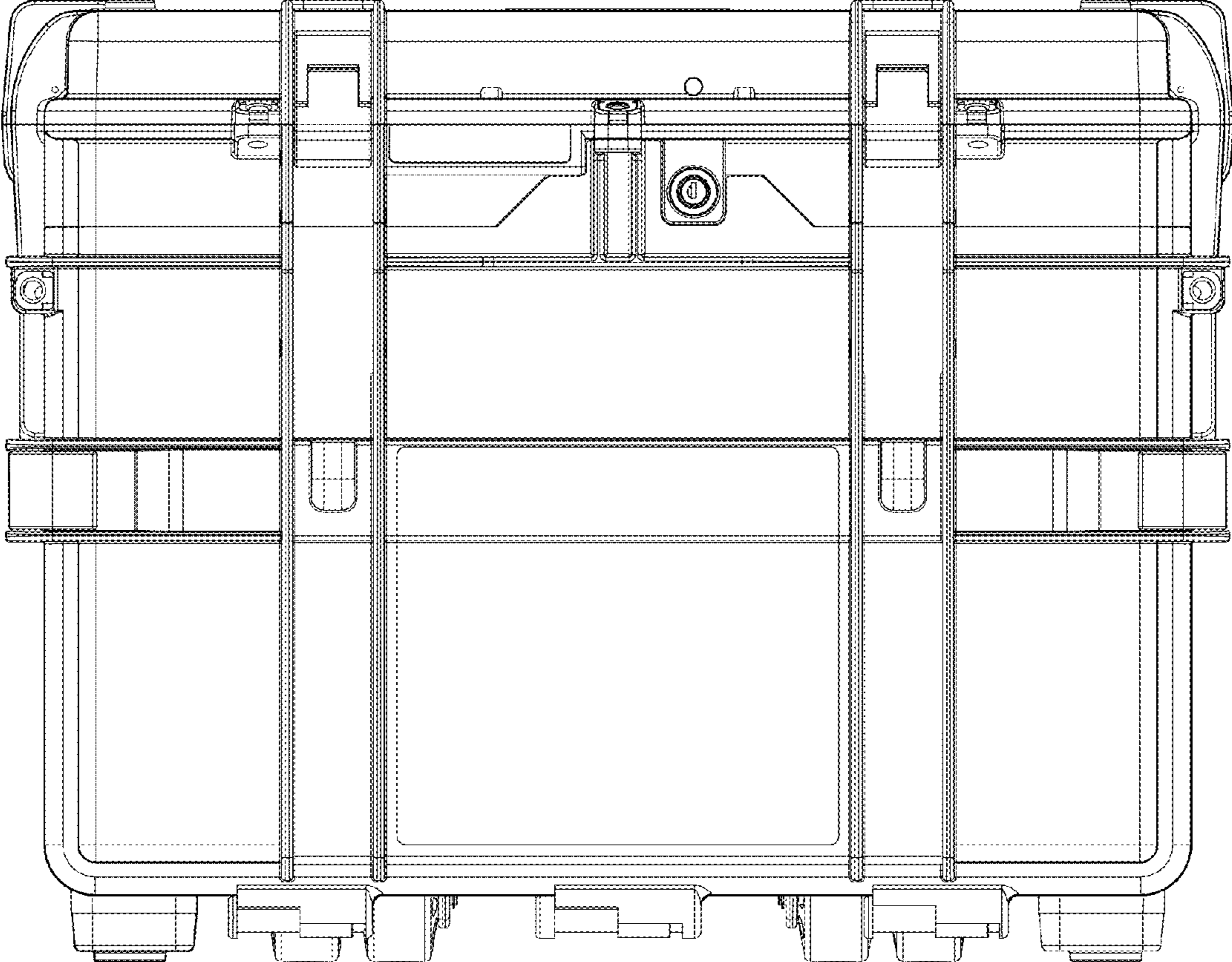


*Fig. 9*

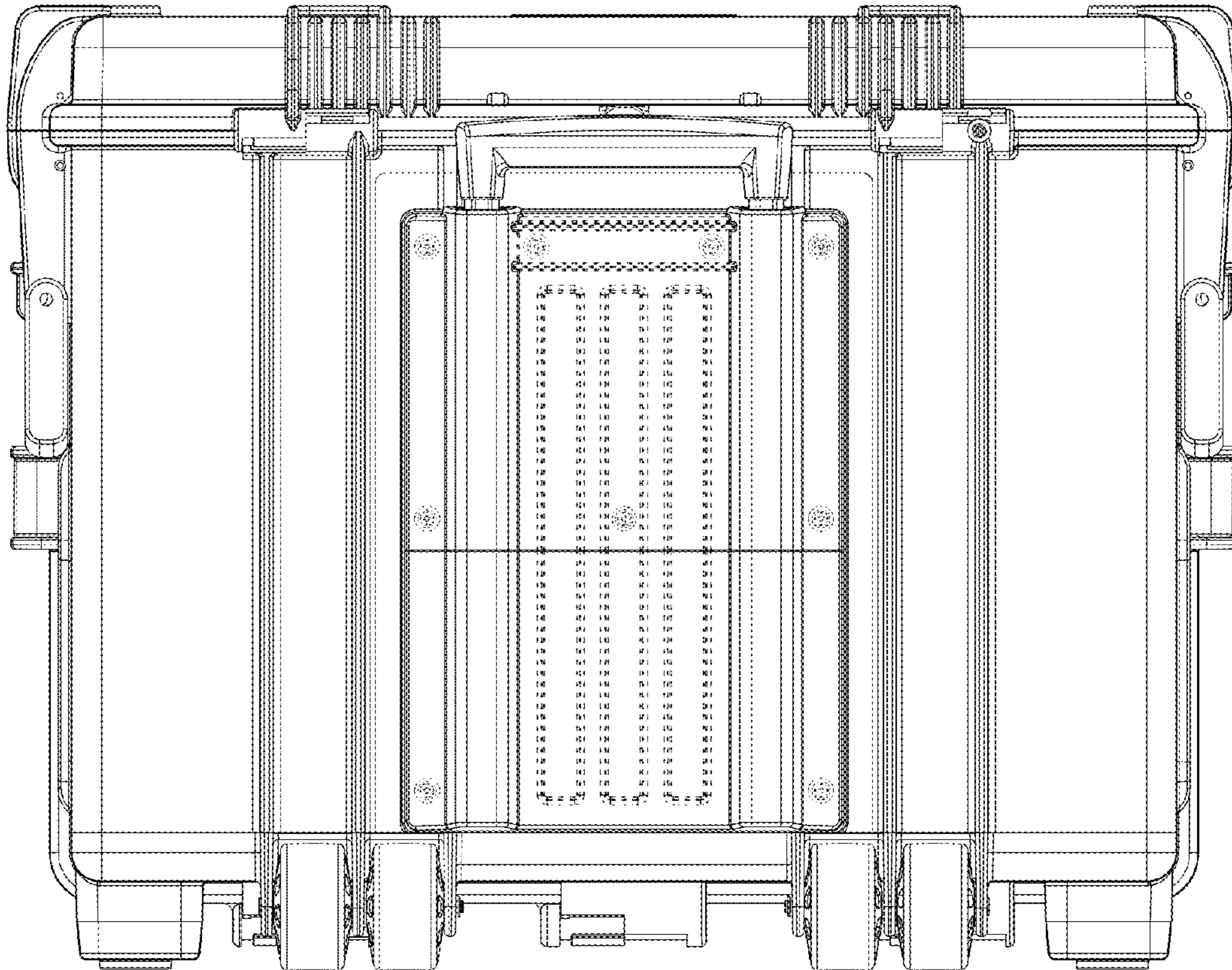




*Fig. 10*

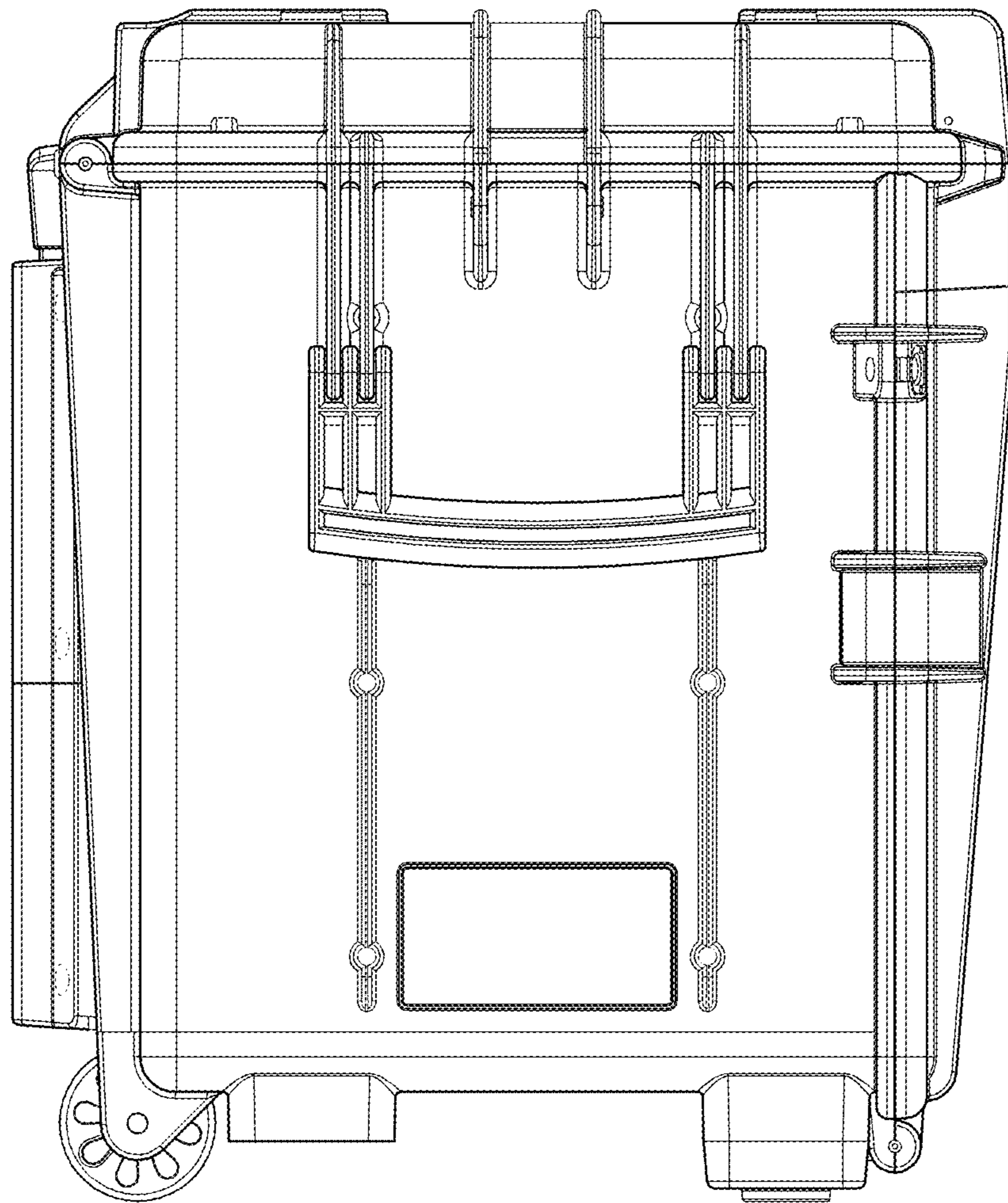


*Fig. 11*

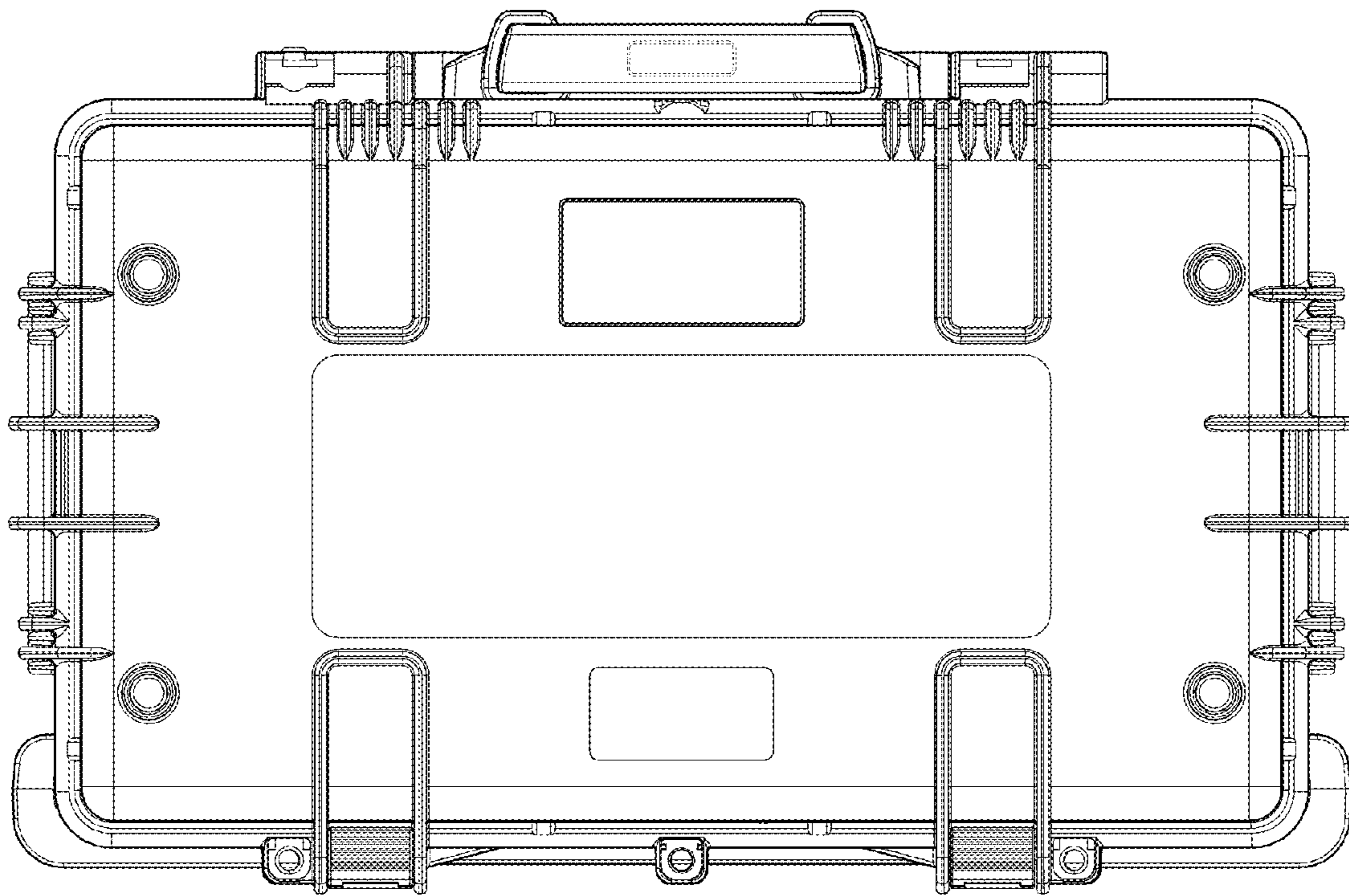


*Fig. 12*

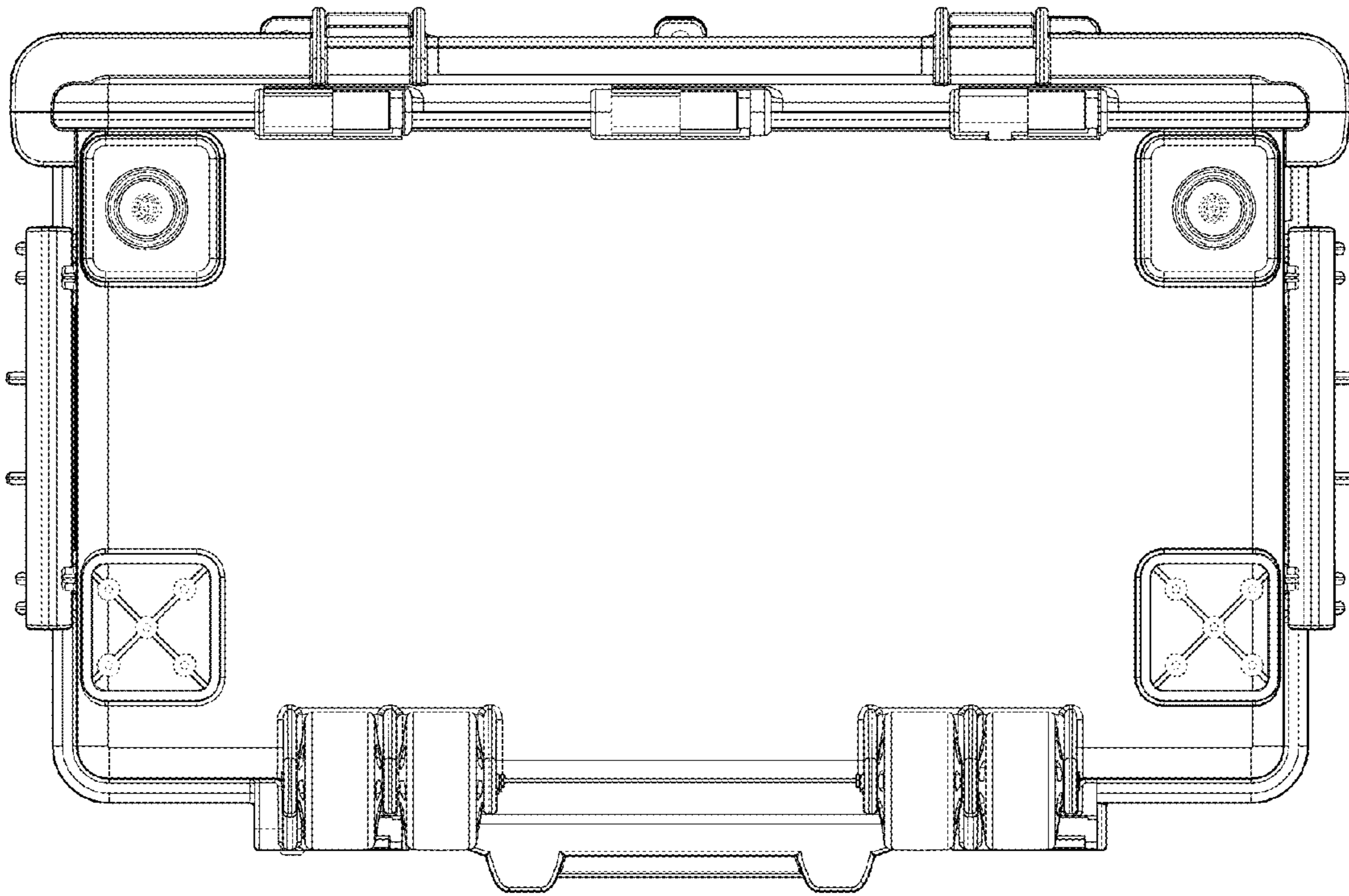




*Fig. 13*

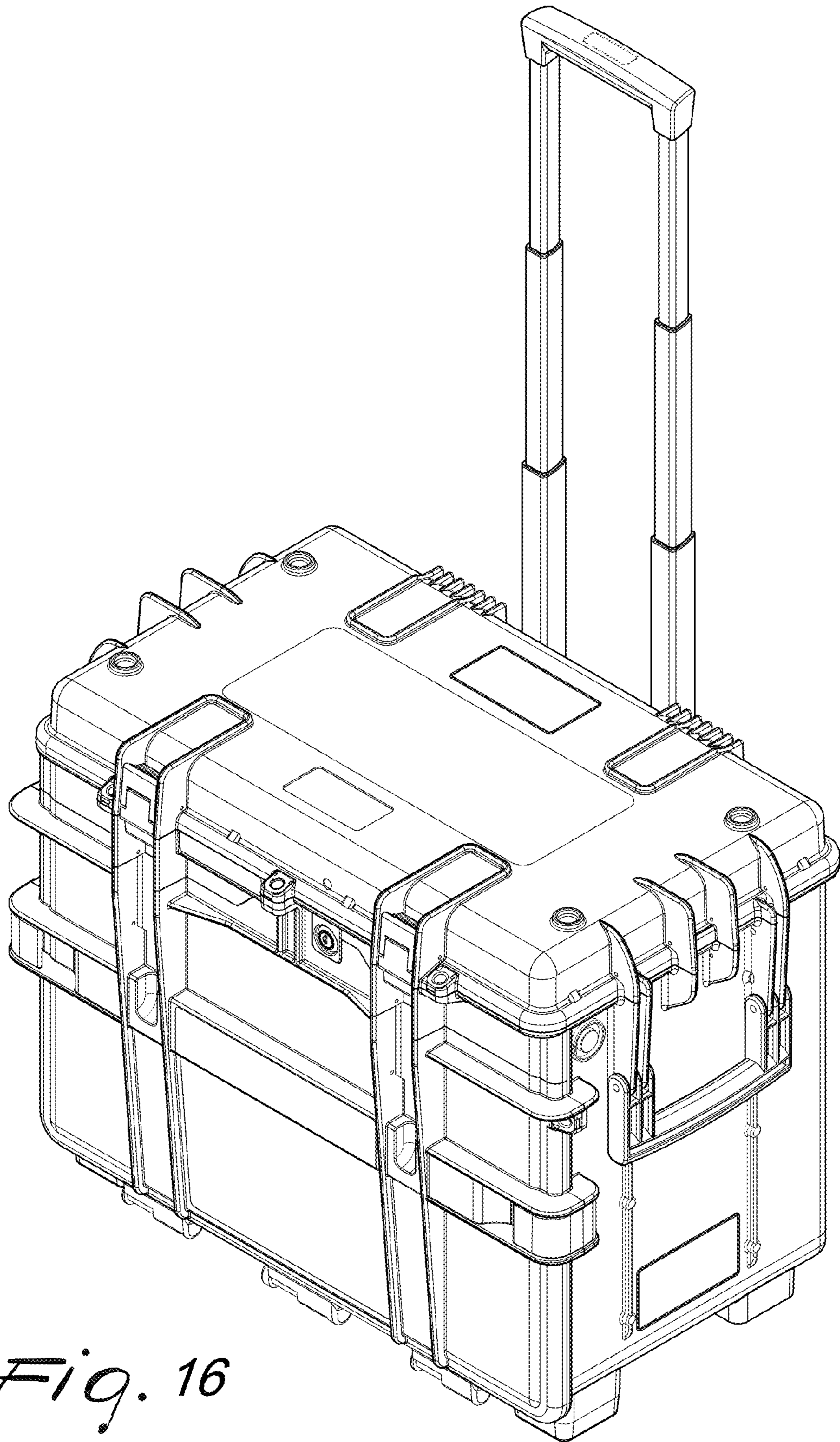


*Fig. 14*

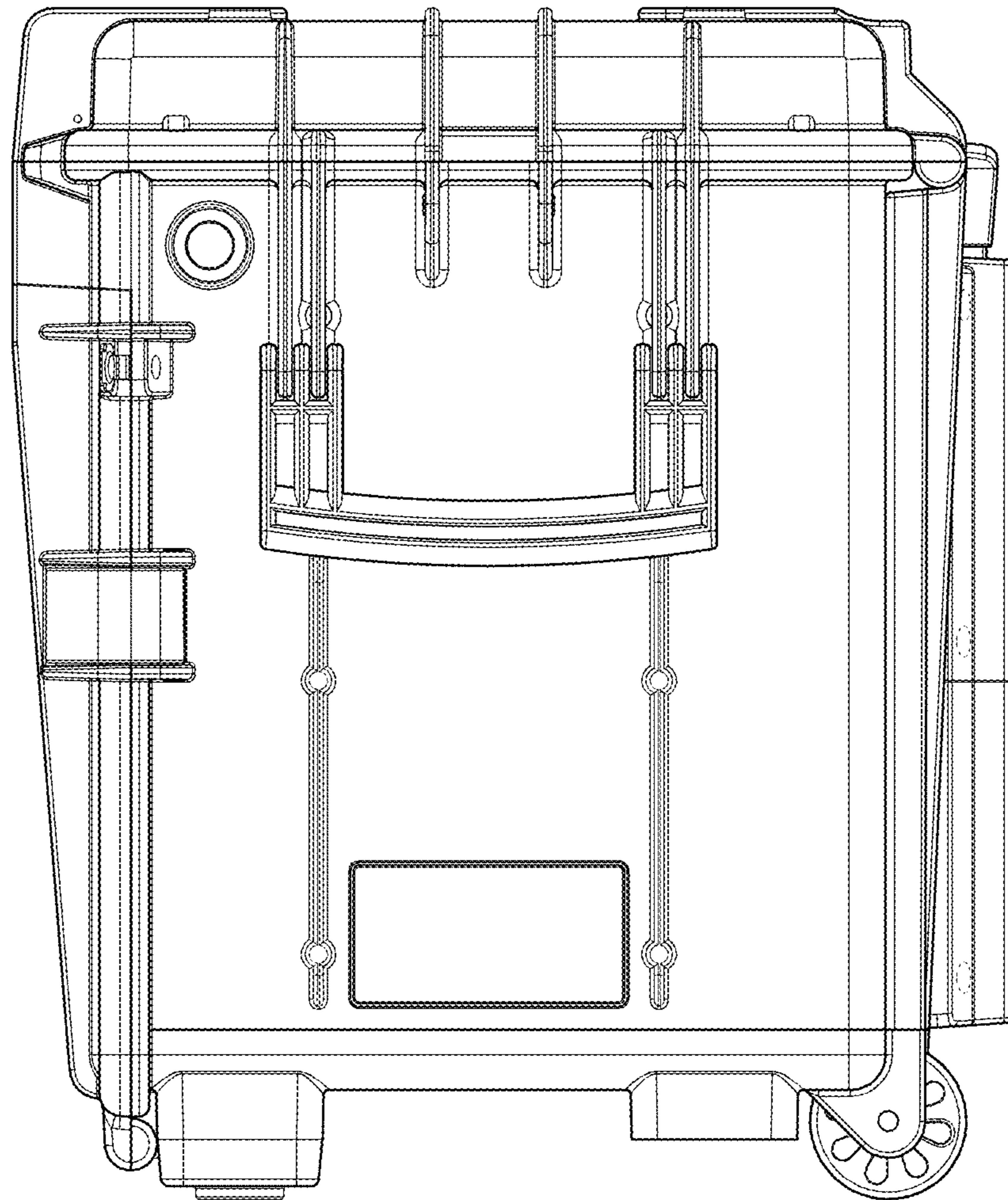


*Fig. 15*



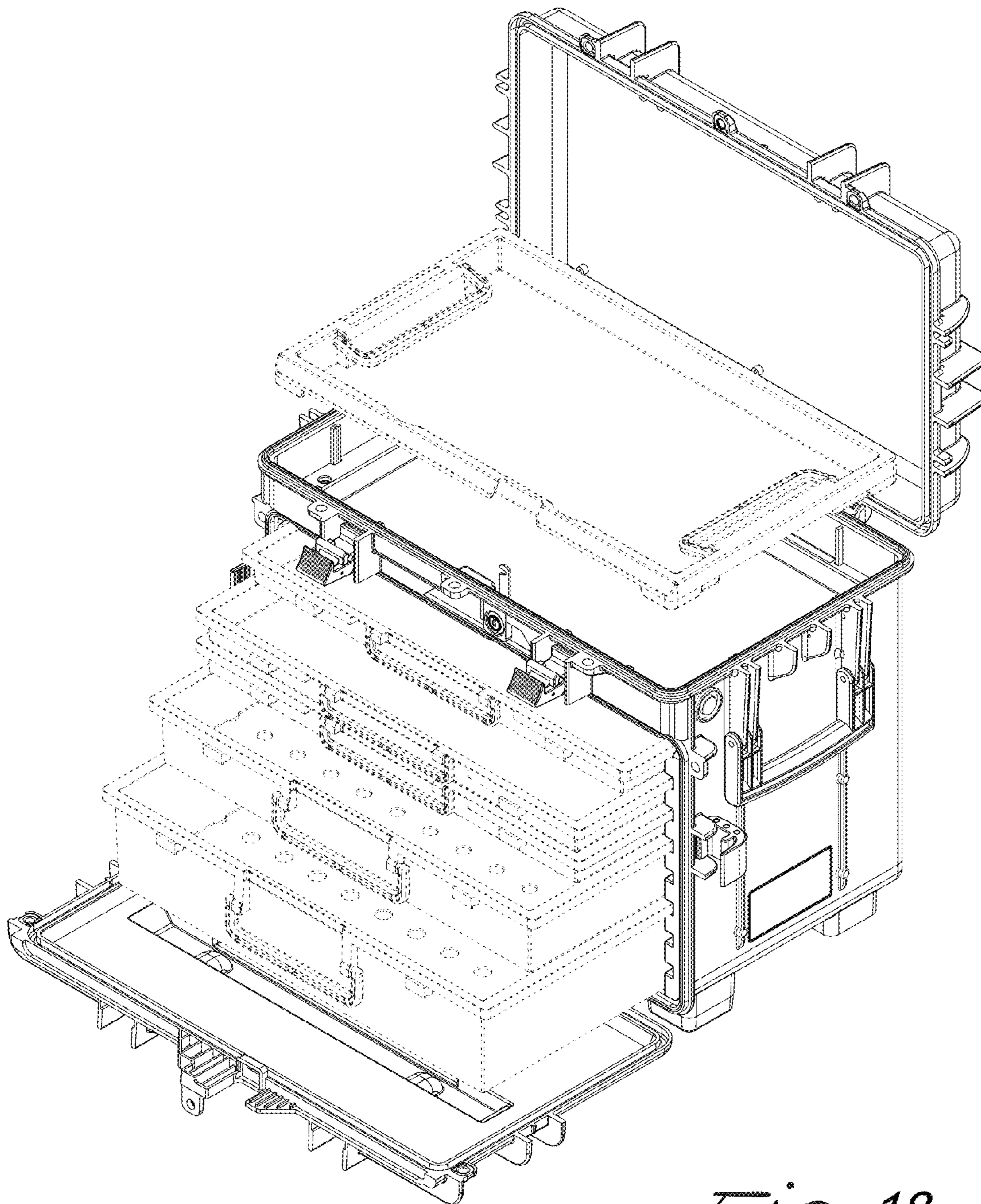


*Fig. 16*



*Fig. 17*





*Fig. 18*