



US00D758727S

(12) **United States Design Patent**  
**Barnett**

(10) **Patent No.:** **US D758,727 S**  
(45) **Date of Patent:** **\*\* Jun. 14, 2016**

- (54) **CROSSBOW CASE**
- (71) Applicant: **Barnett Outdoors, LLC**, Tarpon Springs, FL (US)
- (72) Inventor: **David A. Barnett**, Tarpon Springs, FL (US)
- (73) Assignee: **Barnett Outdoors, LLC**, Tarpon Springs, FL (US)
- (\*\*) Term: **14 Years**
- (21) Appl. No.: **29/513,855**
- (22) Filed: **Jan. 6, 2015**
- (51) **LOC (10) Cl.** ..... **03-01**
- (52) **U.S. Cl.**  
USPC ..... **D3/262; D3/254**
- (58) **Field of Classification Search**  
USPC ..... **D3/254, 262, 221**  
CPC ..... **F41B 5/1457; F41B 5/12; A45C 5/00; A63B 71/0036**  
See application file for complete search history.

- 6,935,495 B1 \* 8/2005 McKenzie ..... A45C 13/02 206/315.11
- D528,791 S \* 9/2006 Sides ..... D3/262
- 7,104,402 B2 \* 9/2006 Whalen ..... A45C 11/00 206/315.11
- D690,929 S \* 10/2013 Quinnan ..... D3/221
- 8,584,846 B2 \* 11/2013 Whalen ..... F41B 5/12 206/315.1
- 8,960,426 B2 \* 2/2015 Kelly ..... F41B 5/1457 190/107
- 8,978,949 B2 \* 3/2015 Arajakis ..... F41B 5/1457 224/153

**OTHER PUBLICATIONS**

Design U.S. Appl. No. 29/513,892, "Crossbow Case," David A. Barnett, filed Jan. 6, 2015.  
U.S. Appl. No. 62/100,832, "Crossbow Case," David A. Barnett, filed Jan. 7, 2015.

\* cited by examiner

*Primary Examiner* — Mitchell Siegel  
(74) *Attorney, Agent, or Firm* — Jones Walker LLP

(57) **CLAIM**  
I claim the ornamental design for a crossbow case, as shown and described.

(56) **References Cited**

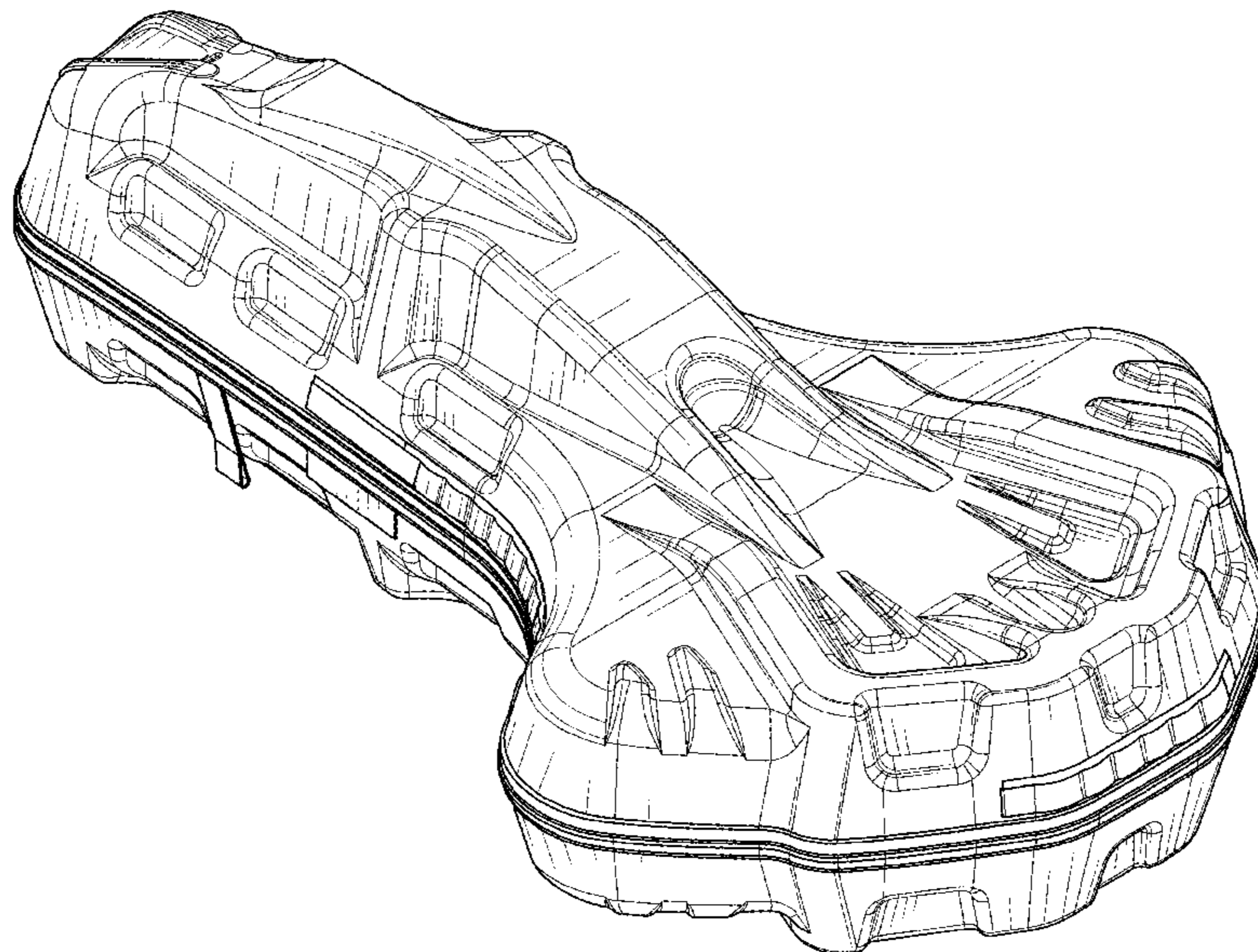
**U.S. PATENT DOCUMENTS**

- D182,868 S \* 5/1958 Arnold ..... D3/269
- D246,138 S \* 10/1977 Christensen ..... D3/254
- 4,480,774 A \* 11/1984 Smith ..... A45F 3/02 124/25
- D343,057 S \* 1/1994 Dickinson ..... D3/262
- D358,254 S \* 5/1995 VanSkiver ..... D3/254
- D456,133 S \* 4/2002 Fiore, Jr. .... D3/254
- 6,390,294 B1 \* 5/2002 Fiore, Jr. .... F41B 5/1457 124/86
- D475,196 S \* 6/2003 VanSkiver ..... D3/262
- D488,927 S \* 4/2004 Cook ..... D3/254
- D506,062 S \* 6/2005 Whalen ..... D3/262

**DESCRIPTION**

FIG. 1 is a top view of my new design;  
FIG. 2 is a bottom view thereof;  
FIG. 3 is a right side view thereof;  
FIG. 4 is a left side view thereof;  
FIG. 5 is a front view thereof;  
FIG. 6 is a rear view thereof;  
FIG. 7 is a top, left side perspective view thereof;  
FIG. 8 is a top, right side perspective view thereof;  
FIG. 9 is a bottom, left side perspective view thereof; and,  
FIG. 10 is a bottom, right side perspective view thereof.

**1 Claim, 10 Drawing Sheets**



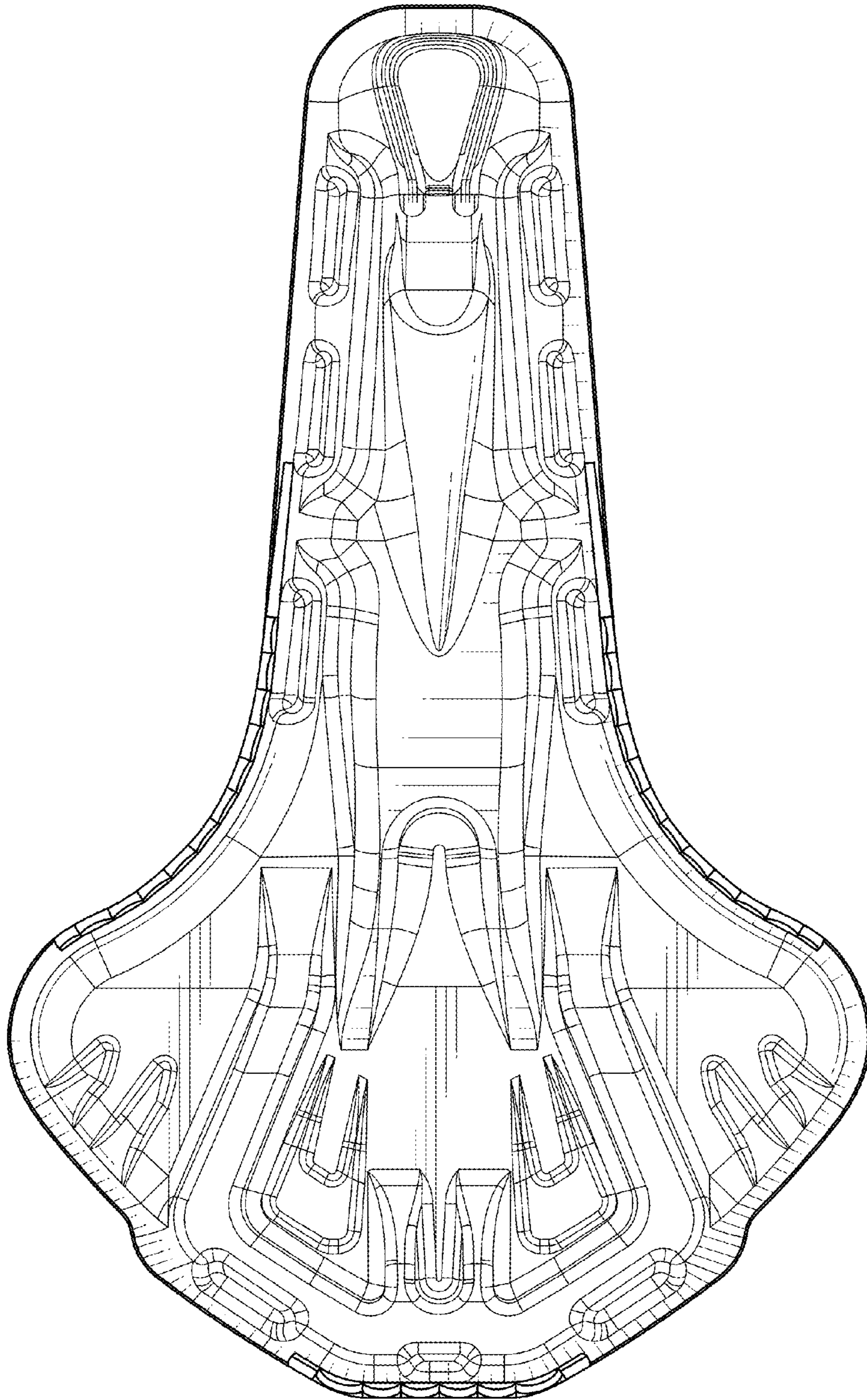


FIG. 1



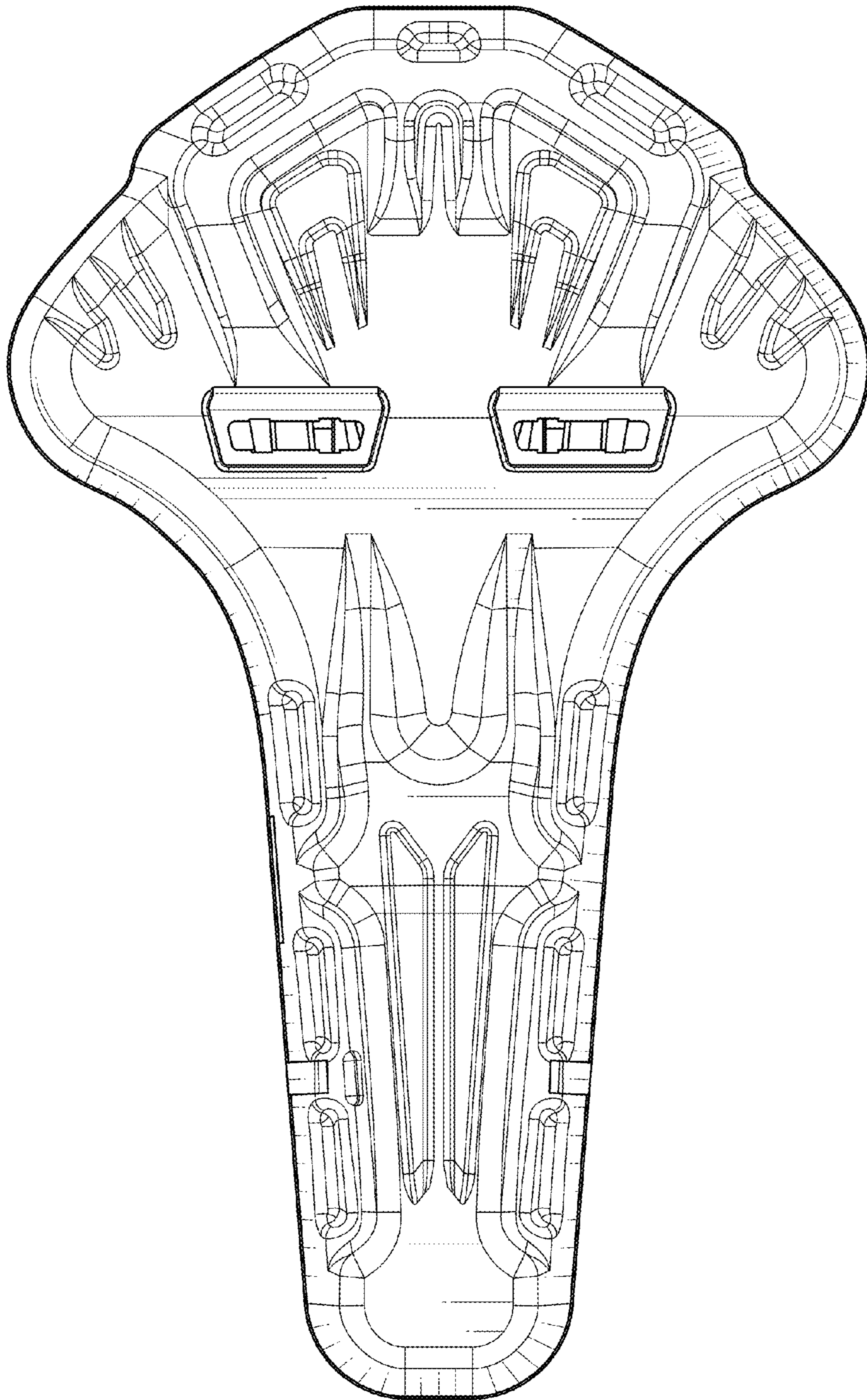


FIG. 2

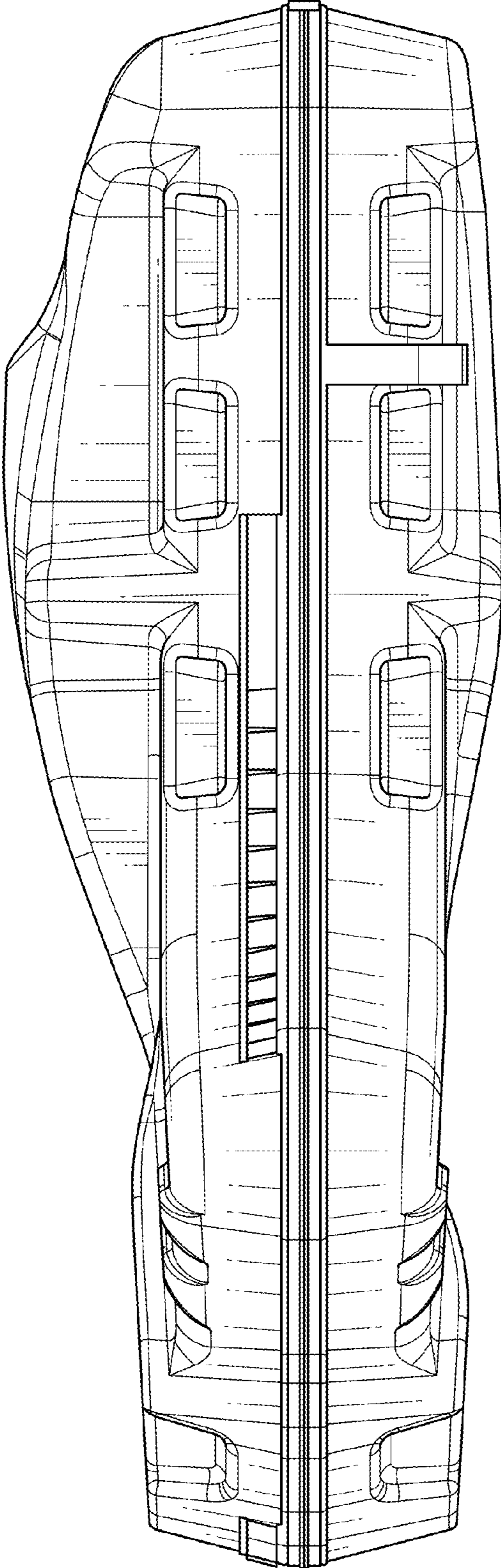


FIG. 3

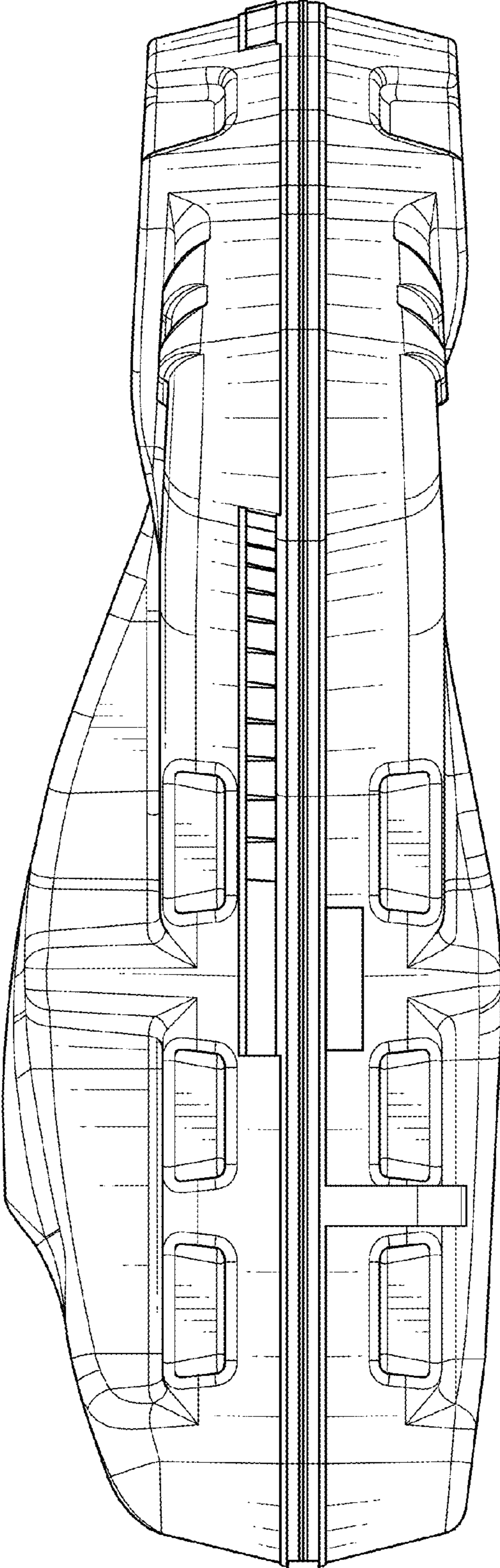


FIG. 4

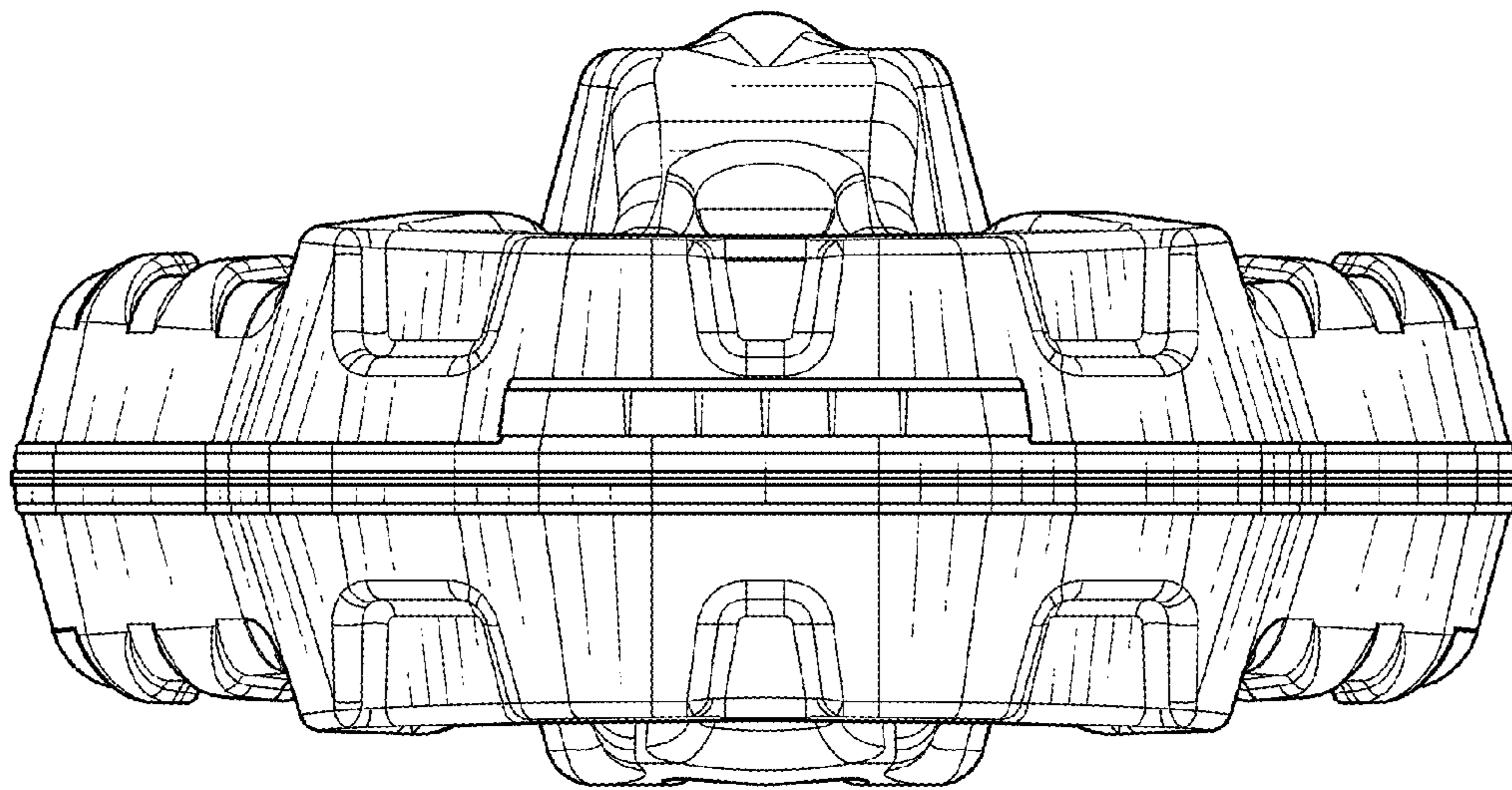


FIG. 5



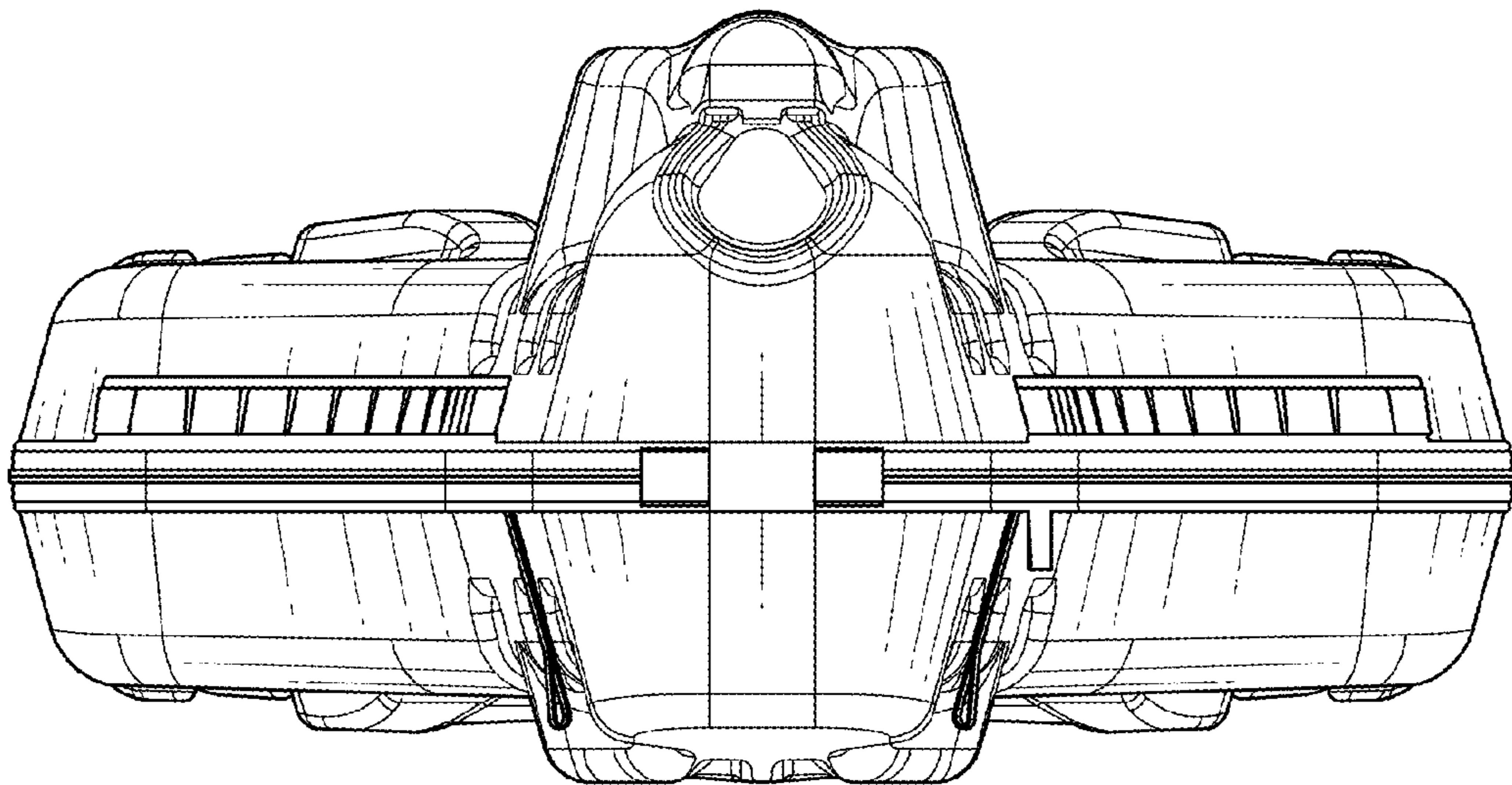


FIG. 6

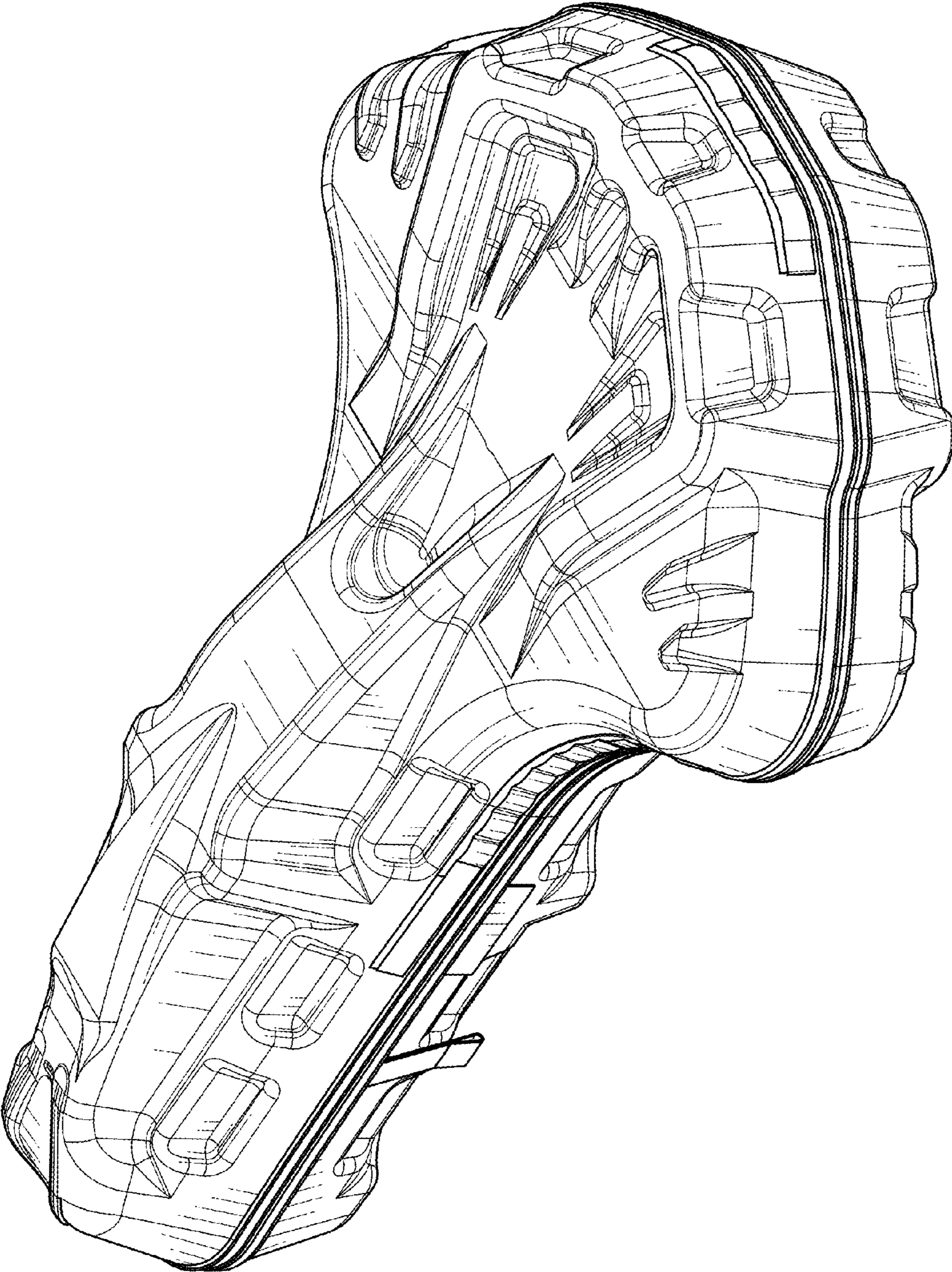


FIG. 7



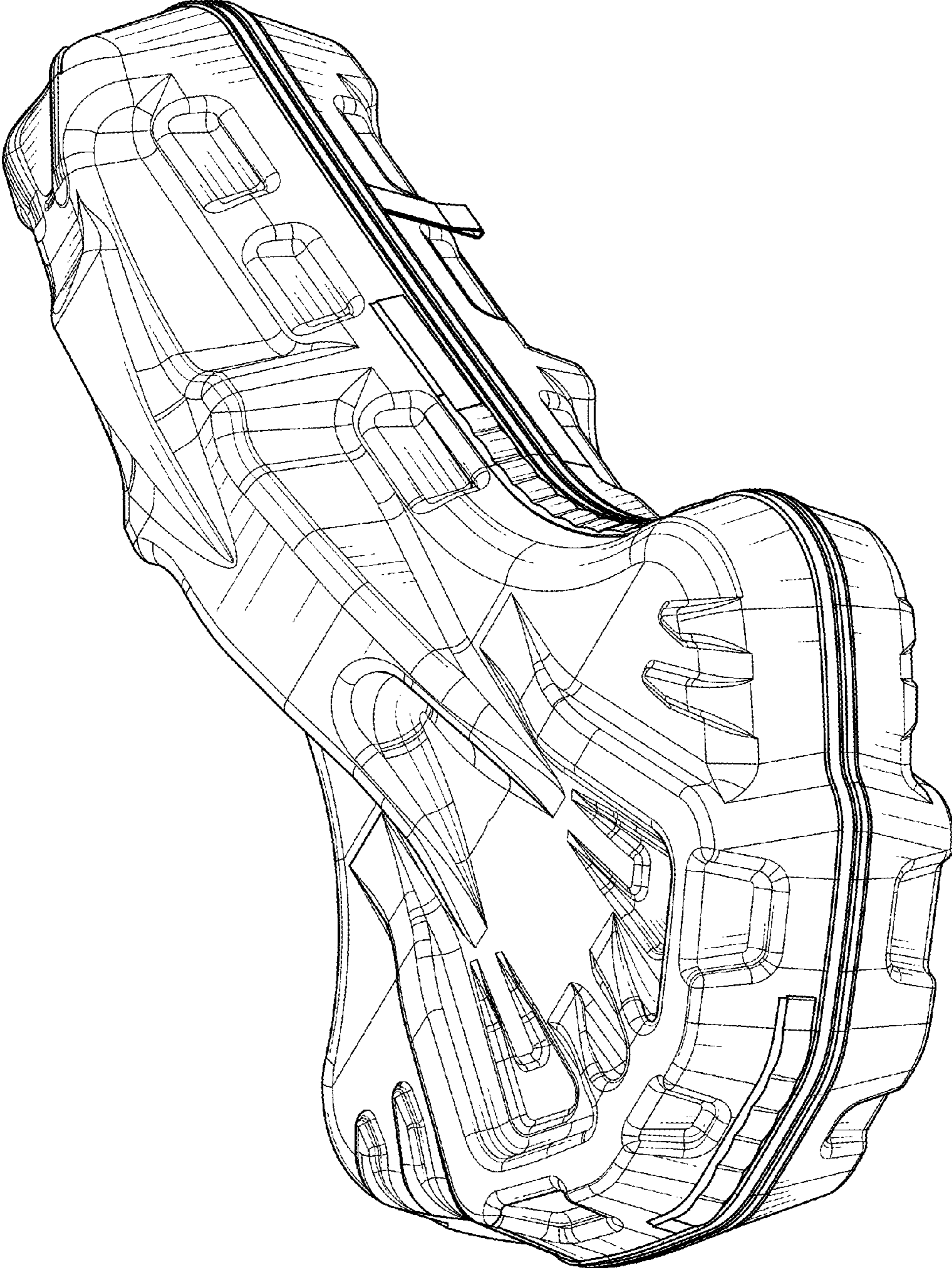


FIG. 8

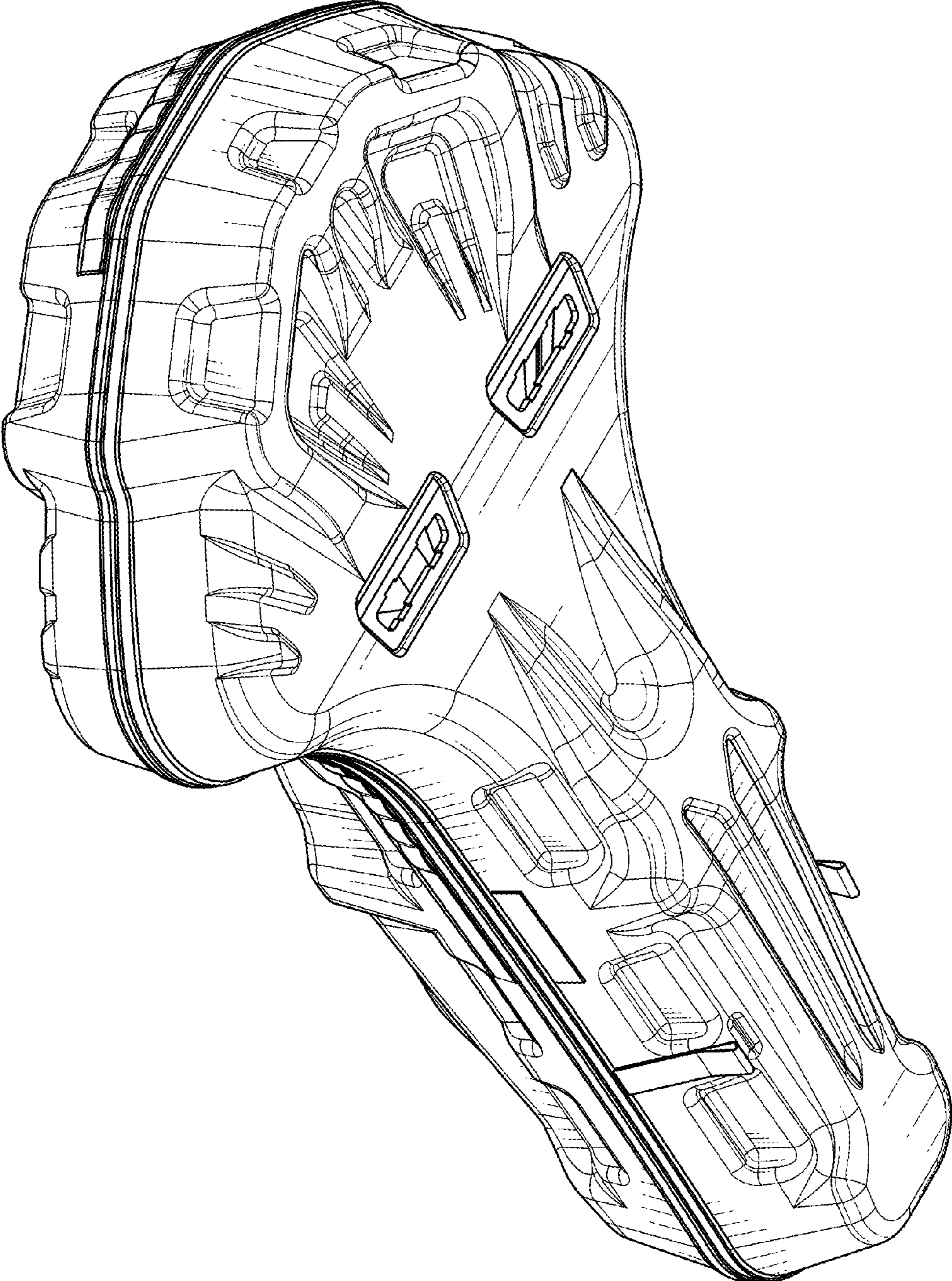


FIG. 9



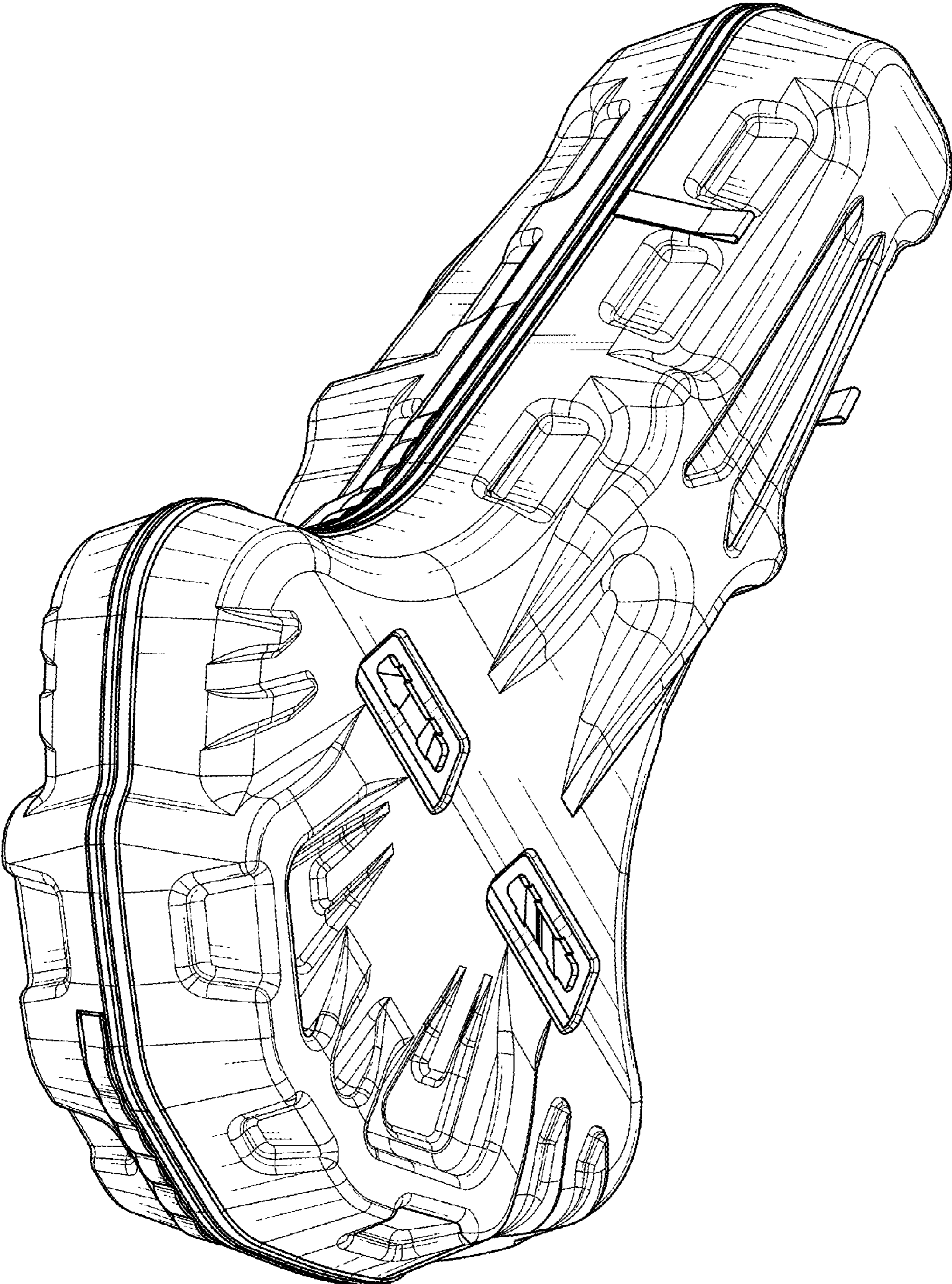


FIG. 10