

US00D758726S

(12) **United States Design Patent**  
**Minneman**

(10) **Patent No.:** **US D758,726 S**  
(45) **Date of Patent:** **\*\* Jun. 14, 2016**

(54) **AMMUNITION STORAGE CONTAINER**

(71) Applicant: **Steven W. Minneman**, Clayton, OH  
(US)

(72) Inventor: **Steven W. Minneman**, Clayton, OH  
(US)

(73) Assignee: **MTM Molded Products Company**,  
Dayton, OH (US)

(\*\*) Term: **14 Years**

(21) Appl. No.: **29/451,368**

(22) Filed: **Apr. 1, 2013**

(51) **LOC (10) Cl.** ..... **03-01**

(52) **U.S. Cl.**  
USPC ..... **D3/262**

(58) **Field of Classification Search**  
USPC ..... D3/262, 273-274, 291, 294, 297, 302,  
D3/321; D9/737, 758; D12/409; 206/349,  
206/372-373, 506; 220/23.4, 326  
CPC ..... B65D 45/22; B65D 45/02; B65D 45/32;  
B65D 1/00; B65D 13/00; B65D 15/00;  
B65D 2543/00194; B65D 21/0201; E05C  
19/12; F42B 39/00; F42B 39/26; F42B 39/22;  
F42B 39/24

See application file for complete search history.

(56) **References Cited**

**U.S. PATENT DOCUMENTS**

1,355,343 A	10/1920	Korn
2,790,547 A	4/1957	Sutton
2,939,603 A	6/1960	Young
3,088,583 A	5/1963	Holtz
D205,579 S	8/1966	Schurman
D205,580 S	8/1966	Schurman
3,369,721 A	2/1968	Lentz
D213,601 S	3/1969	Benke
3,464,579 A	9/1969	Asenbauer
D220,021 S	2/1971	Bruening
3,593,873 A	7/1971	Vonk
3,616,976 A	11/1971	Geretschlaeger
4,030,646 A	6/1977	Switack et al.

D247,159 S	2/1978	Schidlowski et al.
4,183,206 A	1/1980	Porsche et al.
4,363,147 A	12/1982	Deweese
4,387,805 A	6/1983	Lanius
D269,648 S	7/1983	Wilcox et al.

(Continued)

**OTHER PUBLICATIONS**

Plano Ammo Can (Field Box). amazon.com (online) 7 page.  
Uploaded as early as Jun. 27, 2012 [retrieved on Mar. 23, 2015].  
Retrieved from Internet: < [http://www.amazon.com/Plano-Ammo-Can-Field-Box/dp/B004W3WC84/ref=pd\\_sbs\\_sg\\_2?ie=UTF8&refRID=00CCYQZ2ENJKEQZ8G08M](http://www.amazon.com/Plano-Ammo-Can-Field-Box/dp/B004W3WC84/ref=pd_sbs_sg_2?ie=UTF8&refRID=00CCYQZ2ENJKEQZ8G08M)>.\*

(Continued)

*Primary Examiner* — Susan Bennett Hattan

*Assistant Examiner* — Marie Fast Horse

(74) *Attorney, Agent, or Firm* — Jacox, Meckstroth & Jenkins

(57) **CLAIM**

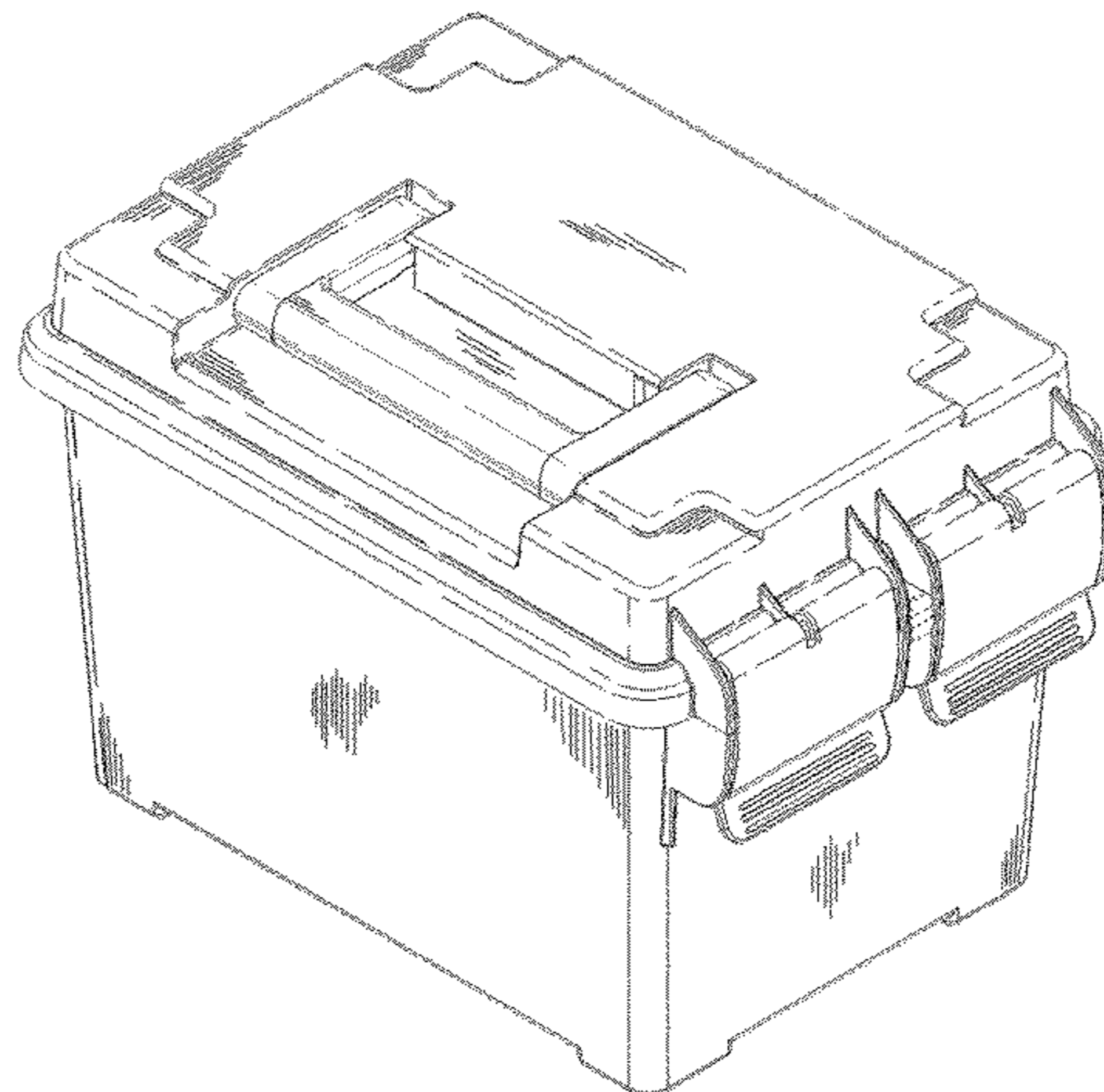
The ornamental design for ammunition storage container, as shown and described.

**DESCRIPTION**

FIG. 1 is a perspective view of an ammunition storage container in accordance with my new design;  
FIG. 2 is a rear view of the ammunition storage container shown in FIG. 1;  
FIG. 3 is a front view of the ammunition storage container shown in FIG. 1;  
FIG. 4 is a left side view of the ammunition storage container shown in FIG. 1;  
FIG. 5 is a right side view of the ammunition storage container shown in FIG. 1;  
FIG. 6 is a plan view of the ammunition storage container shown in FIG. 1; and,  
FIG. 7 is a bottom view of the ammunition storage container shown in FIG. 1.

The broken lines in the drawing depict a portion of the ammunition storage container that forms no part of the claim.

**1 Claim, 7 Drawing Sheets**



(56)

References Cited

U.S. PATENT DOCUMENTS

4,395,828 A 8/1983 Juhas  
 D271,444 S 11/1983 LeVine  
 D300,183 S 3/1989 Minneman  
 4,811,836 A 3/1989 Minneman  
 D312,173 S \* 11/1990 Smith et al. .... D3/291  
 D314,273 S 2/1991 Minneman  
 D319,016 S \* 8/1991 Kahl ..... D7/605  
 D328,425 S \* 8/1992 Brightbill ..... D3/282  
 D329,747 S 9/1992 Embree  
 D334,662 S 4/1993 van Berne  
 D342,609 S \* 12/1993 Brightbill ..... D3/294  
 D353,048 S 12/1994 VanSkiver et al.  
 D359,392 S \* 6/1995 Bellington ..... D3/262  
 D362,116 S \* 9/1995 Bellington et al. .... D3/262  
 D367,958 S 3/1996 Tisbo et al.  
 D373,247 S \* 9/1996 Dickinson et al. .... D3/282  
 D375,693 S 11/1996 Chang  
 D380,225 S 6/1997 Kung  
 D384,886 S 10/1997 Plante  
 D387,903 S 12/1997 Jacoby et al.  
 D389,745 S 1/1998 Steinhagen et al.  
 D392,060 S 3/1998 Chen  
 D394,550 S \* 5/1998 Tanji ..... D3/273  
 D394,955 S \* 6/1998 Dickinson et al. .... D3/281  
 D403,093 S 12/1998 Tseng  
 D411,351 S \* 6/1999 Kohagen et al. .... D3/281  
 D413,202 S 8/1999 Schmitt et al.  
 D416,682 S \* 11/1999 Tanji ..... D3/294  
 D418,294 S \* 1/2000 Tanji ..... D3/276  
 D419,297 S 1/2000 Richardson et al.  
 D419,768 S 2/2000 Richardson et al.  
 6,193,062 B1 2/2001 Rysgaard et al.  
 D441,954 S 5/2001 Parker  
 6,371,321 B1 \* 4/2002 Lee ..... 220/23.4  
 D462,519 S 9/2002 Gaydos et al.  
 D464,196 S 10/2002 Parker  
 D465,330 S 11/2002 Parker  
 D466,422 S 12/2002 Luquire  
 6,564,384 B1 5/2003 Kiser  
 D488,397 S 4/2004 Morelock  
 D488,398 S 4/2004 Golaszewski et al.  
 D490,551 S 5/2004 Kim  
 D495,074 S 8/2004 Oas  
 D495,443 S 8/2004 Kim  
 D496,160 S \* 9/2004 Rosler ..... D3/281  
 6,955,381 B2 10/2005 Parker et al.  
 D513,870 S \* 1/2006 Rosine et al. .... D3/273  
 D514,512 S 2/2006 Rubin et al.  
 D516,309 S 3/2006 Richardson et al.  
 D516,807 S 3/2006 Richardson et al.  
 D523,242 S 6/2006 Hardigg et al.  
 D527,181 S 8/2006 Henning et al.  
 D543,030 S \* 5/2007 Schafer ..... D3/272  
 D552,471 S 10/2007 Kuus  
 D566,479 S \* 4/2008 Kabalin ..... D7/605  
 7,370,891 B1 5/2008 Schmitt et al.  
 D572,154 S 7/2008 Daas  
 D574,616 S 8/2008 Tullney et al.  
 D579,202 S 10/2008 Grenier et al.  
 D580,170 S 11/2008 Klotzman et al.  
 7,447,118 B1 11/2008 Matos  
 7,533,782 B2 5/2009 Parker et al.  
 D600,443 S \* 9/2009 Hinds ..... D3/262  
 D600,912 S \* 9/2009 Brunner ..... D3/291

D609,913 S 2/2010 Landau  
 D615,022 S 5/2010 Schanz et al.  
 D622,061 S 8/2010 Higginson  
 7,780,026 B1 \* 8/2010 Zuckerman ..... 220/23.4  
 D623,482 S \* 9/2010 Lam ..... D7/629  
 D624,317 S 9/2010 Wenchel et al.  
 D627,968 S \* 11/2010 Brunner ..... D3/281  
 7,837,053 B2 11/2010 Arnett et al.  
 D629,199 S 12/2010 Minneman  
 D641,160 S 7/2011 Minneman  
 D668,048 S \* 10/2012 Vilkomirski et al. .... D3/281  
 8,297,464 B2 10/2012 Grenier et al.  
 D700,777 S \* 3/2014 Shitrit et al. .... D3/281  
 D712,141 S \* 9/2014 Minneman ..... D3/262  
 2005/0034212 A1 2/2005 Eisenbraun  
 2007/0084865 A1 \* 4/2007 Moore ..... 220/326  
 2007/0164020 A1 7/2007 Arnett et al.  
 2008/0307835 A1 12/2008 Grenier et al.

OTHER PUBLICATIONS

MTM Ammo Can. amazon.com. (online) 6 page. Uploaded as early as Oct. 8, 2011 [retrieved on Mar. 23, 2015. Retrieved from Internet: <[http://www.amazon.com/MTM-AC-11-P-Ammo-Can/dp/B00T96T7UU/ref=pd\\_sim\\_sg\\_3?ie=UTF8&refRID=00CCYQZ2ENJKEQZ8G08M](http://www.amazon.com/MTM-AC-11-P-Ammo-Can/dp/B00T96T7UU/ref=pd_sim_sg_3?ie=UTF8&refRID=00CCYQZ2ENJKEQZ8G08M)>.\*  
 MTM Forest Green 50 Caliber Ammo Storage Can. amazon.com (online) 7 page. Uploaded as early as May 23, 2011 [retrieved on Mar. 23, 2015. Retrieved from Internet: <<http://www.amazon.com/MTM-Forest-Green-Caliber-Storage/dp/B00T96TRN2>>.\*  
 Plano Zombie Max Ammo Box. opticsplanet.com (online) 6 page. Uploaded as early as Sep. 2, 2012 [retrieved on Mar. 23, 2015. Retrieved from Internet: <<http://www.opticsplanet.com/plano-zombie-max-ammo-box.html>>.\*  
 2-Pk MTM Ammo Cans. sportsmansguide.com (online) 5 page. Uploaded as early as Mar. 2010 based on 5 year old comment [retrieved on Mar. 23, 2015. Retrieved from Internet: <<http://www.sportsmansguide.com/product/index/2-pk-mtm-ammo-cans?a=506871>>.\*  
 Survivor Dry Boxes. Downloaded Mar. 15, 2010 at <http://www.mtmcase-gard.com/products/camping/dry-boxes-s1072.html>.  
 Five in One Survival Kit featuring a waterproof matchbox and flint striker, whistle, signaling mirror, liquid-filled compass and lanyard for sale on websites <<http://www.cabelas.com>>, <<http://ep.yimg.com>>, and <<http://www.disaster necessities.com>>. At least as early as Feb. 13, 2004.  
 7 in 1! Emergency Survival Kit: Whistle + Compass + White LED Flashlight + Signalling Mirror + 5x Magnifier + Thermometer + Storage for sale on website <<http://www.wildtexas.com>>. At least as early as Jun. 23, 2009.  
 Survivor Kit, Whistle, Compass, Container for sale on website <<http://www.epromos.com/product/8815468.html>>. At least as early as Jul. 1, 2006.  
 Silva waterproof match-case with compass screw-top for sale on website <<http://www.campman.com/silva-match-case-p-292.html>>. At least as early as Feb. 9, 2006.  
 K & M Match-case with double O-ring stopper and compass screw-top for sale on website <<http://www.kmmatchcase.com>>. At least as early as Apr. 12, 2007.  
 Swiss Tech BodyGard Survivor 12-in-1 for sale on website <<http://www.microfiber-products-online.com>> and <<http://www.amazon.com>>. At least as early as Nov. 8, 2007.

\* cited by examiner

FIG. 1

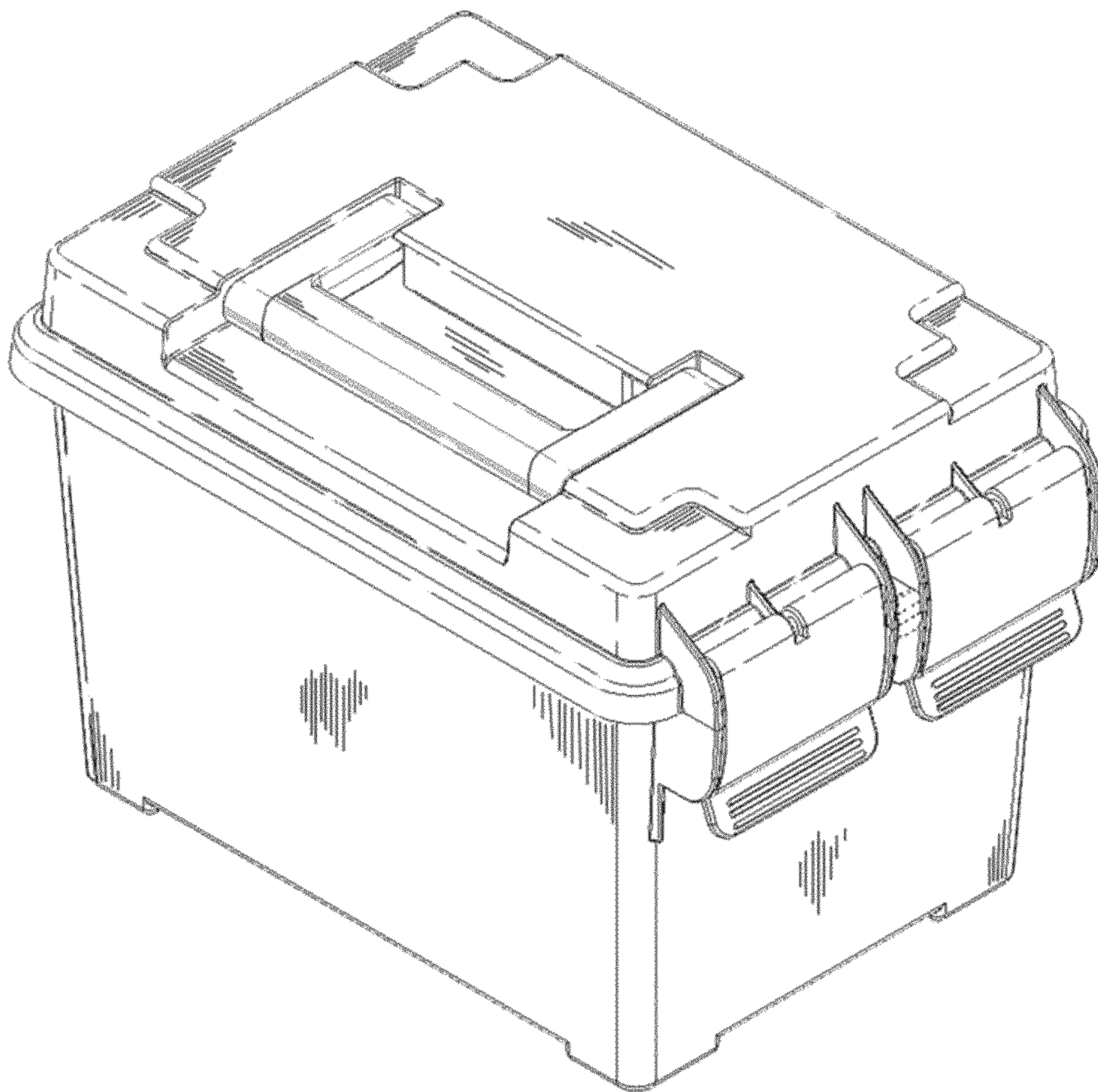


FIG. 2

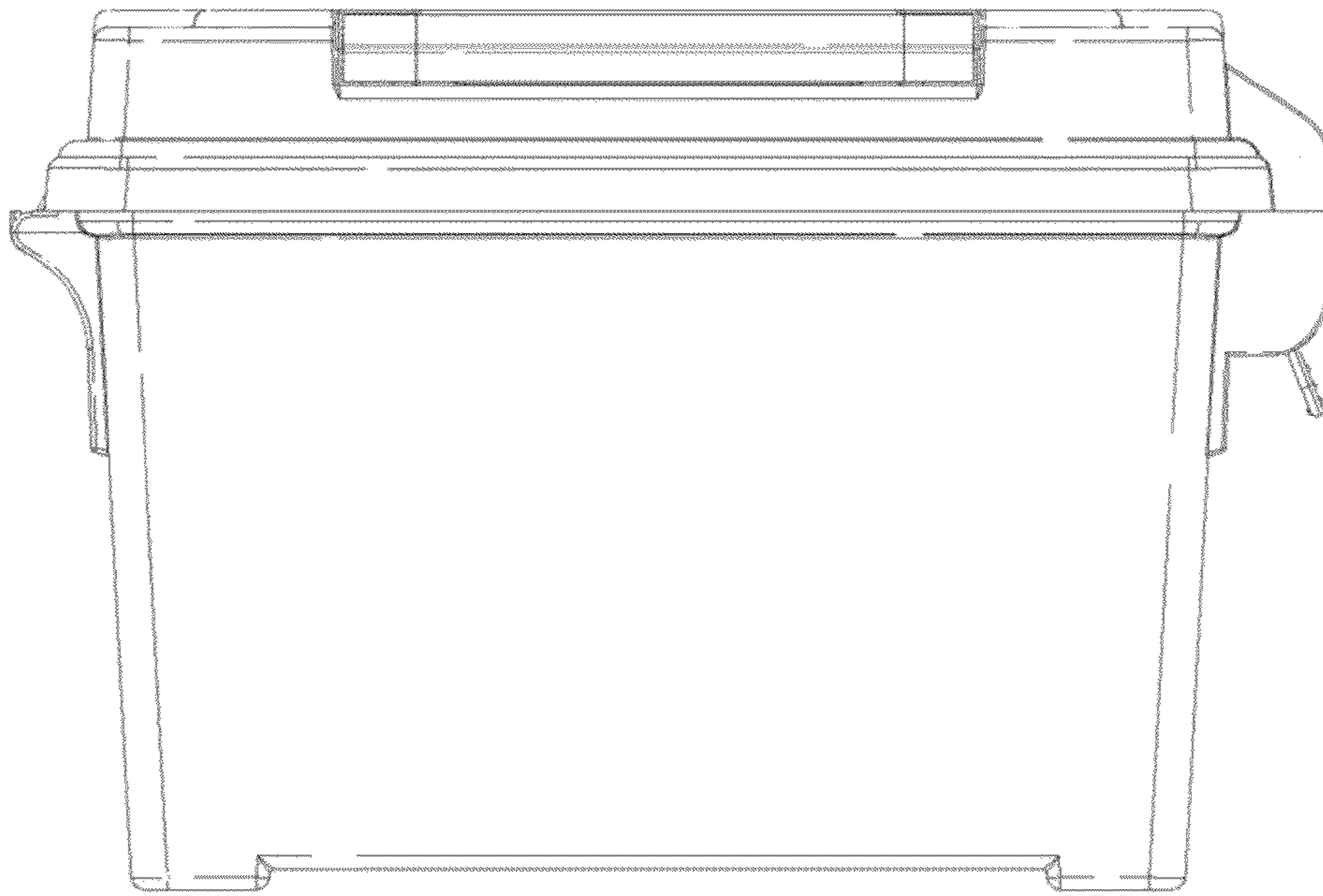


FIG. 3

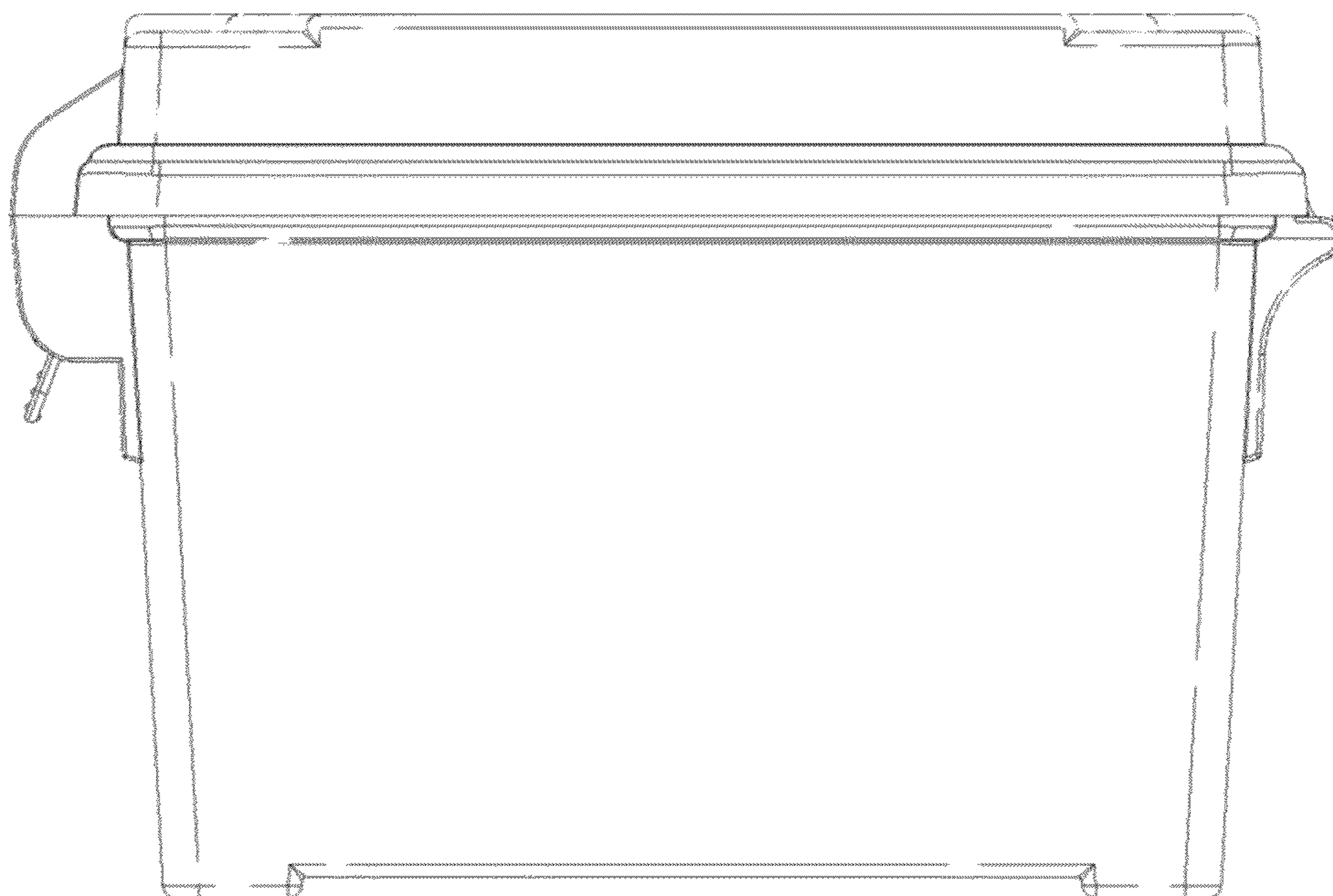


FIG. 4

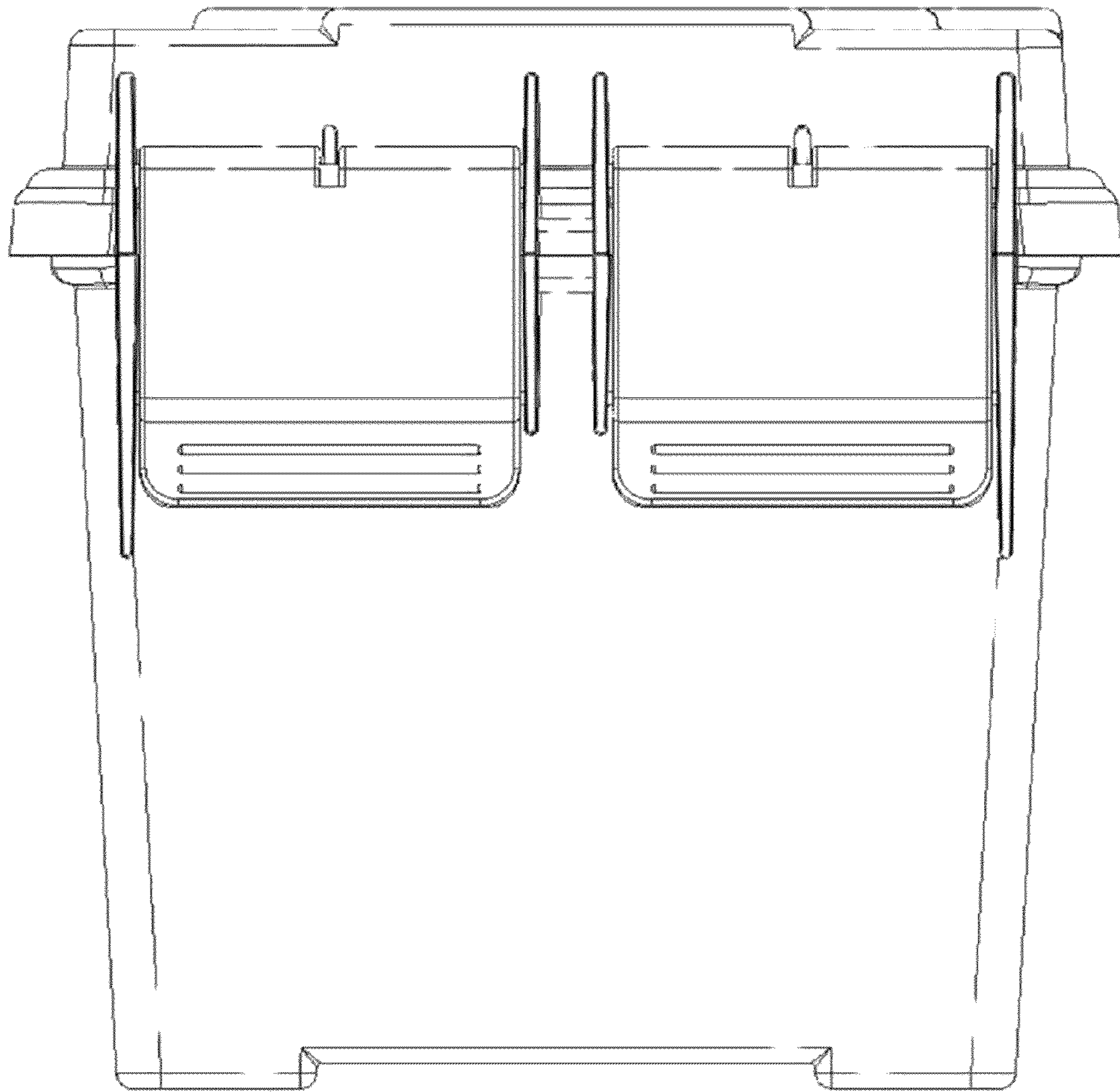


FIG. 5

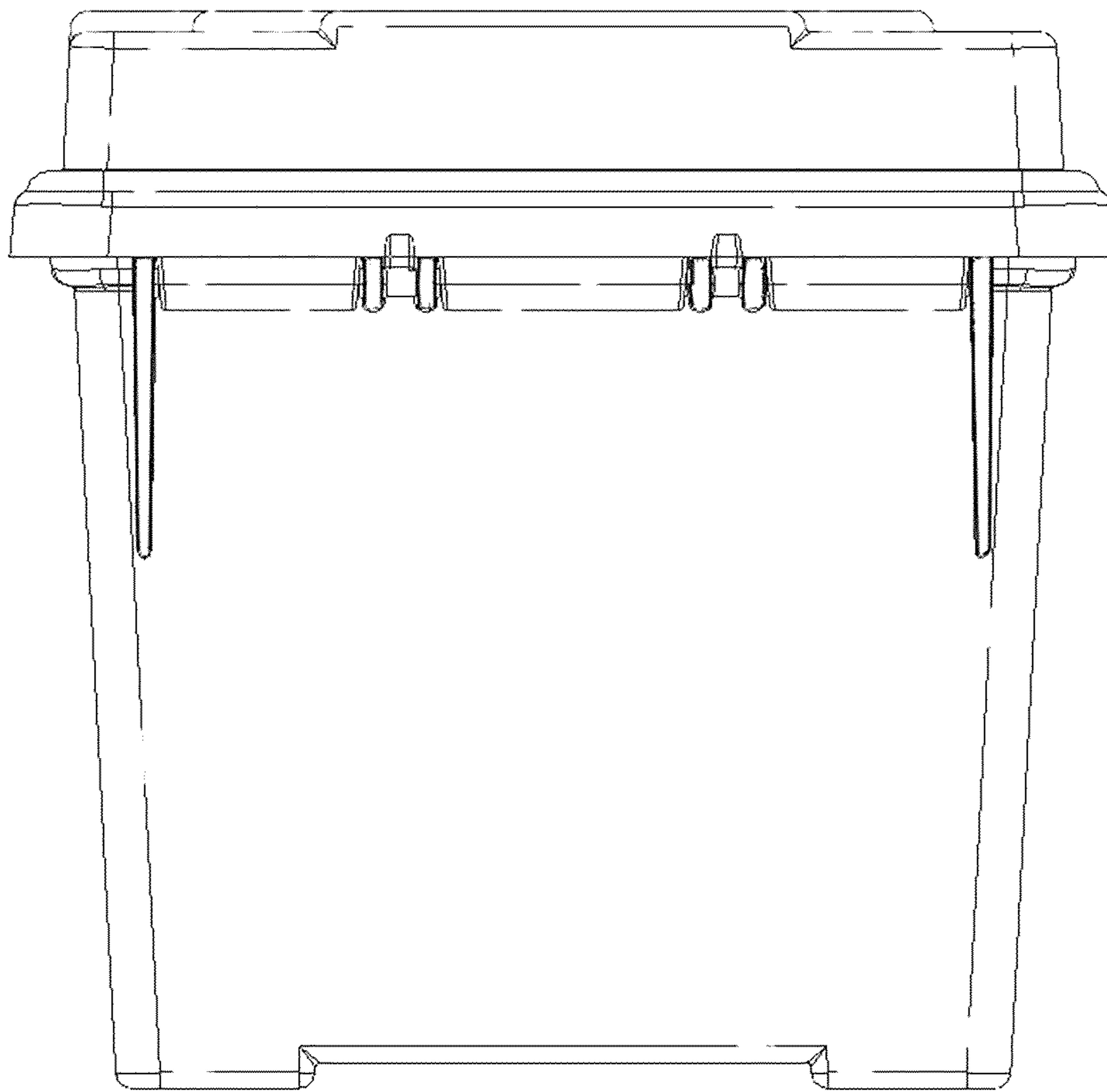


FIG. 6

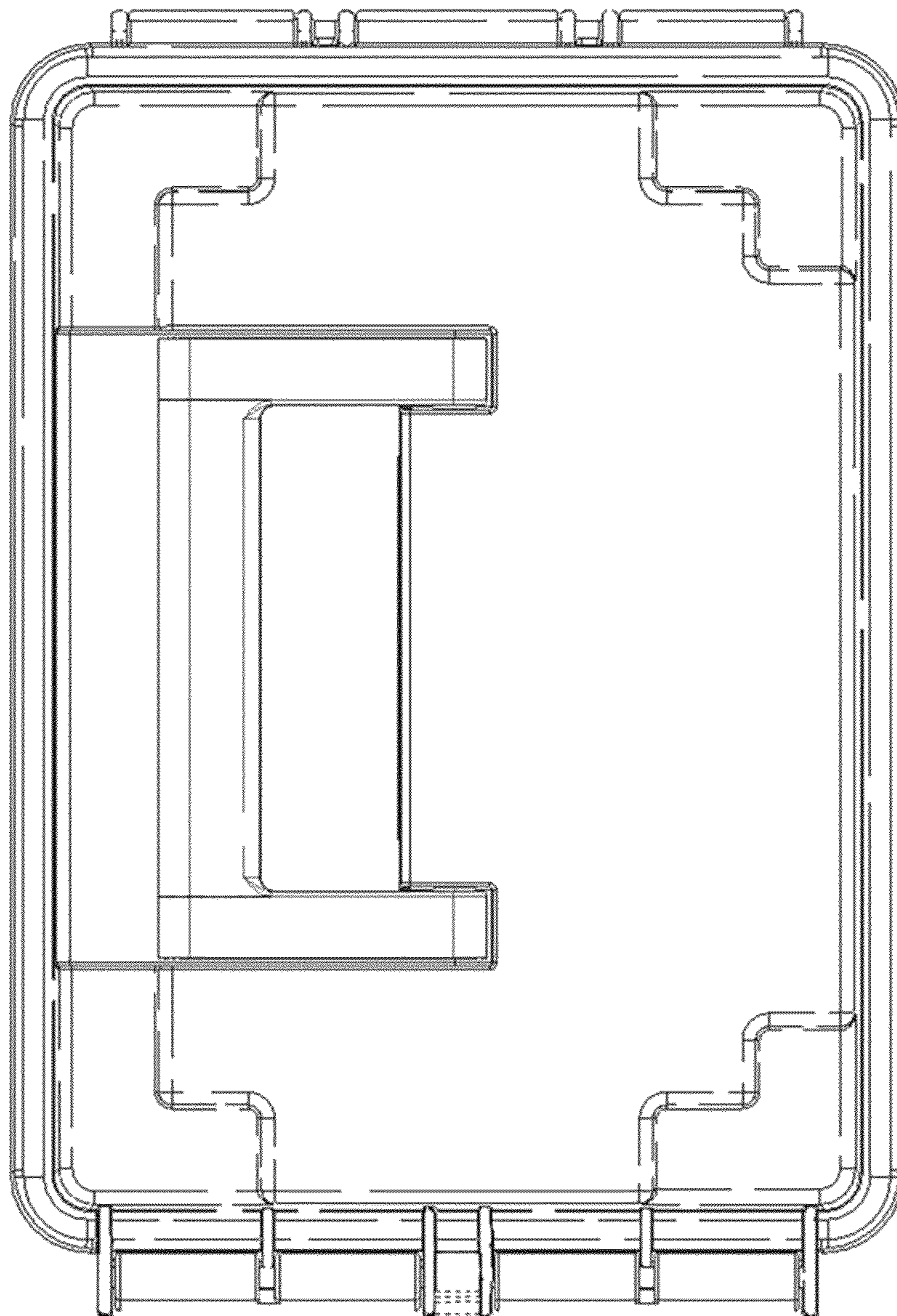




FIG. 7

