



US00D758725S

(12) **United States Design Patent**
Lin

(10) **Patent No.:** **US D758,725 S**
(45) **Date of Patent:** **** Jun. 14, 2016**

- (54) **BILLIARD CUE BAG**
- (71) Applicant: **Wan-Yang Lin**, Taipei (TW)
- (72) Inventor: **Wan-Yang Lin**, Taipei (TW)
- (**) Term: **14 Years**
- (21) Appl. No.: **29/524,287**
- (22) Filed: **Apr. 20, 2015**
- (51) **LOC (10) Cl.** **03-01**
- (52) **U.S. Cl.**
USPC **D3/254**
- (58) **Field of Classification Search**
USPC D3/254, 260, 276, 283, 285, 289
CPC A63C 11/023; A63C 11/00; A63D 15/10
See application file for complete search history.

- D575,058 S * 8/2008 Lucas D3/254
- D575,507 S * 8/2008 Lucas D3/254
- D579,199 S * 10/2008 Liao D3/254
- 8,967,375 B1 * 3/2015 Nitkin A63B 55/00
190/103
- 2006/0289319 A1 * 12/2006 Lin A63D 15/10
206/315.1

* cited by examiner

Primary Examiner — Mitchell Siegel
(74) *Attorney, Agent, or Firm* — Leong C. Lei

(57) **CLAIM**
The ornamental design for a billiard cue bag, as shown and described.

DESCRIPTION

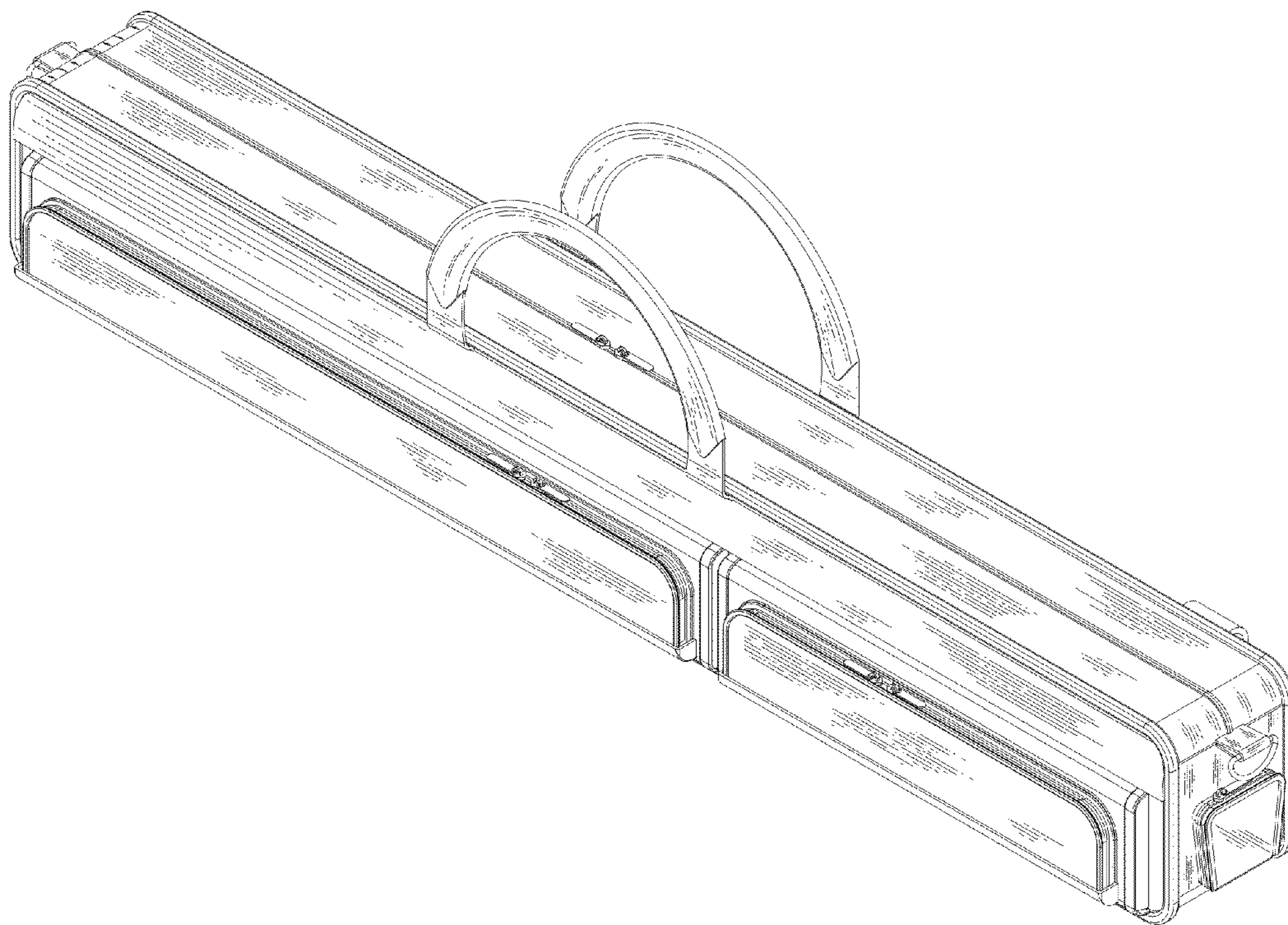
FIG. 1 is a perspective view of a billiard cue bag showing our new design;
FIG. 2 is a front elevational view thereof;
FIG. 3 is a rear elevational view thereof;
FIG. 4 is a left side view thereof;
FIG. 5 is a right side view thereof;
FIG. 6 is a top plan view thereof; and,
FIG. 7 is a bottom plan view thereof.

1 Claim, 4 Drawing Sheets

(56) **References Cited**

U.S. PATENT DOCUMENTS

- D465,325 S * 11/2002 Lin D3/254
- D509,956 S * 9/2005 Lin D3/254
- D530,085 S * 10/2006 Quinnan D3/260
- D575,057 S * 8/2008 Lucas D3/254



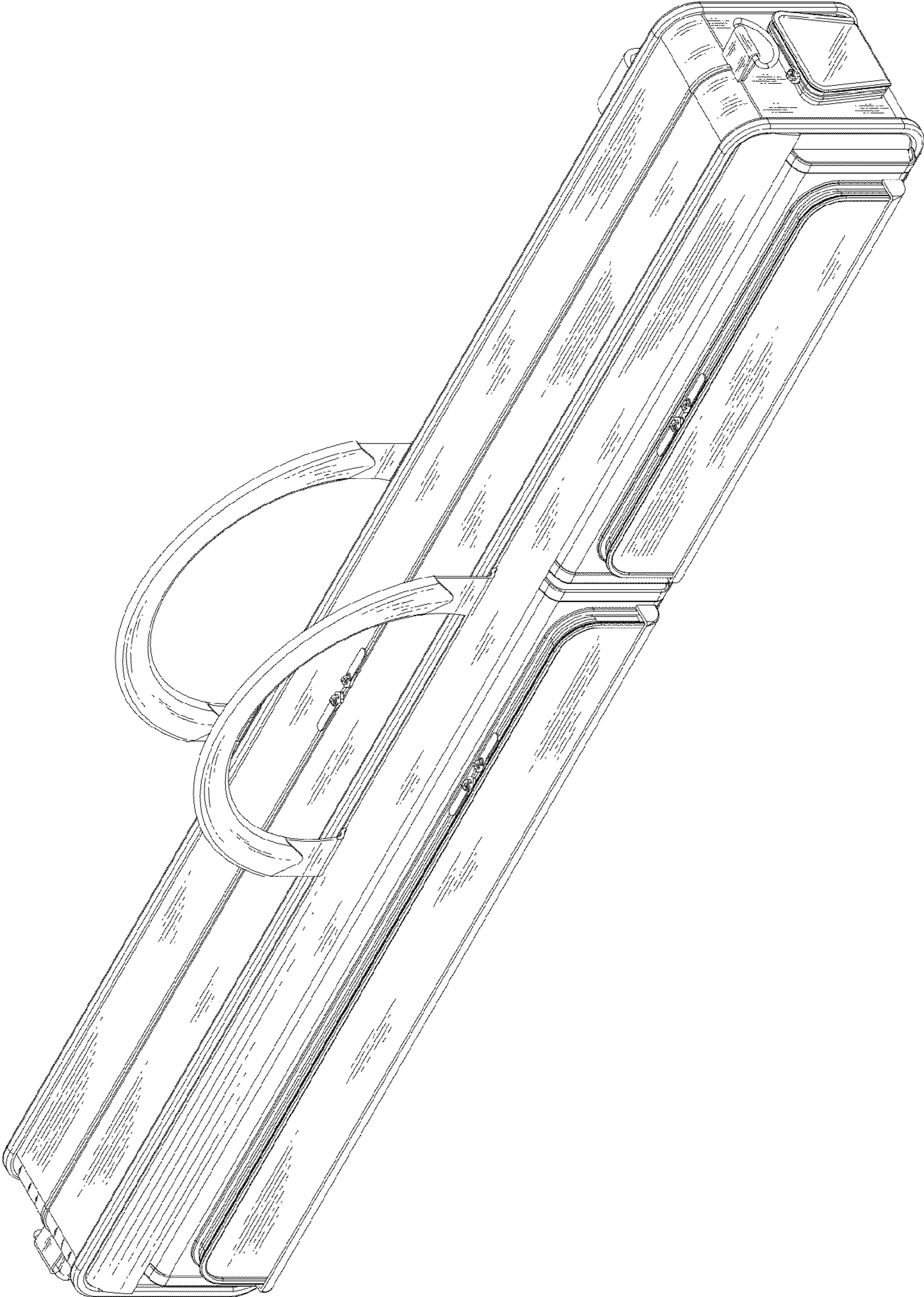


Fig. 1

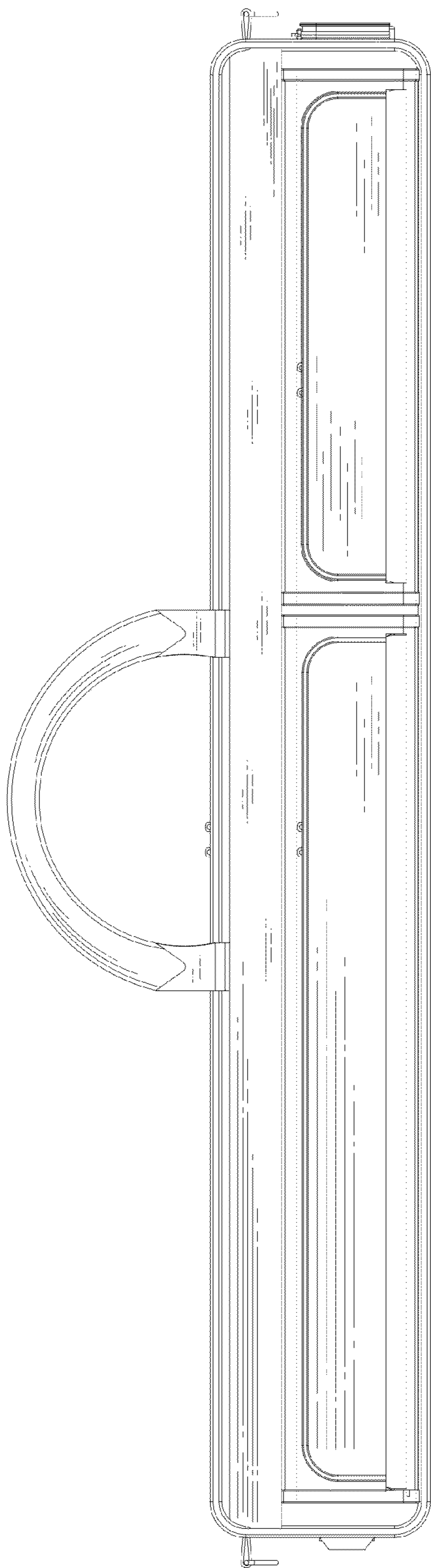


Fig. 2

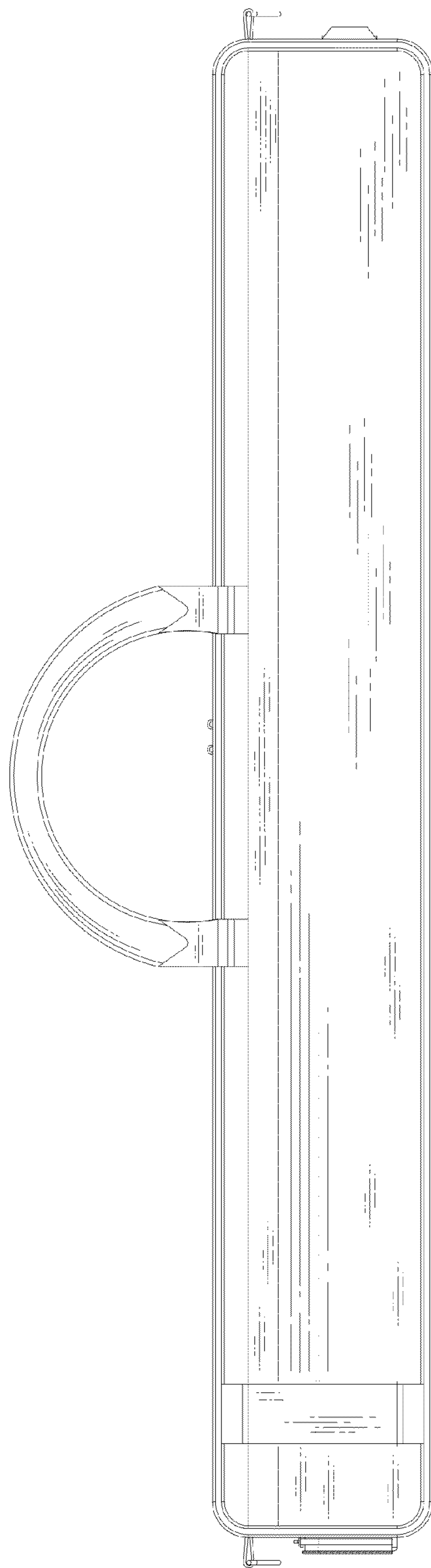


Fig. 3

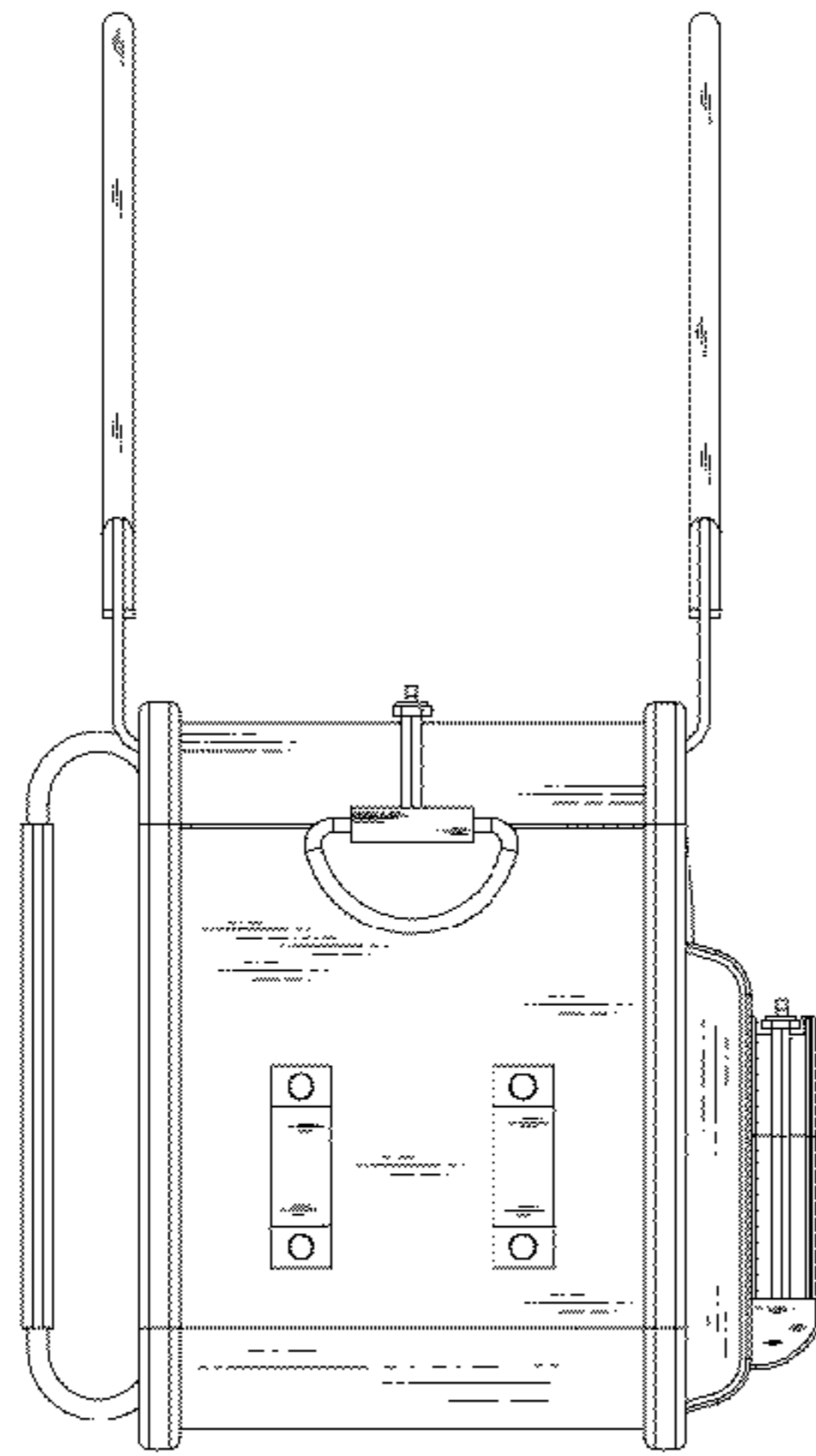


Fig. 4

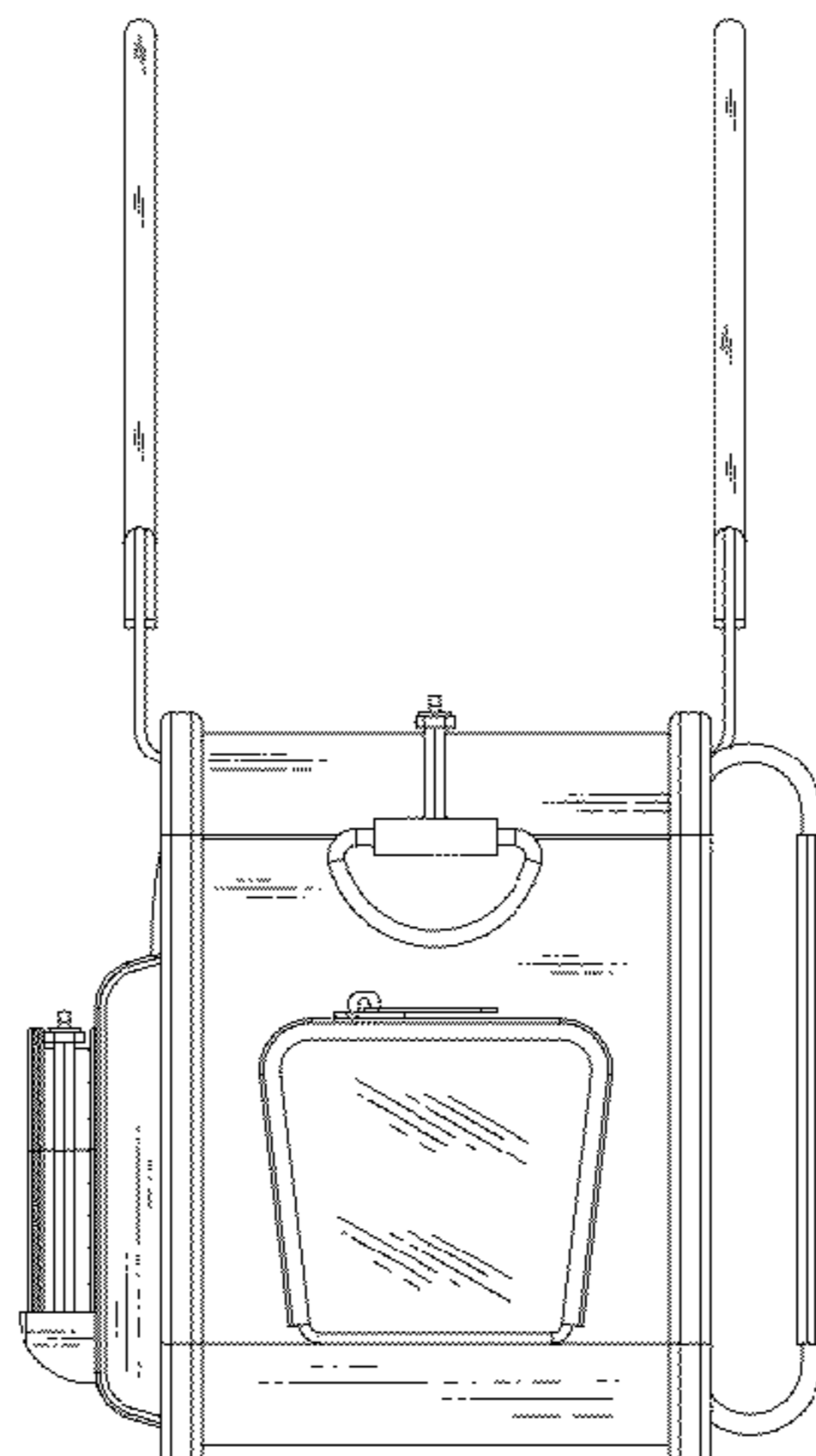


Fig. 5

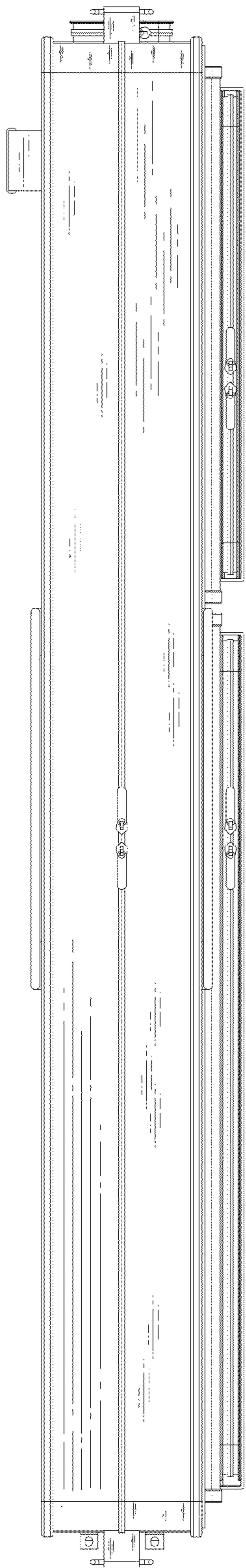


Fig. 6

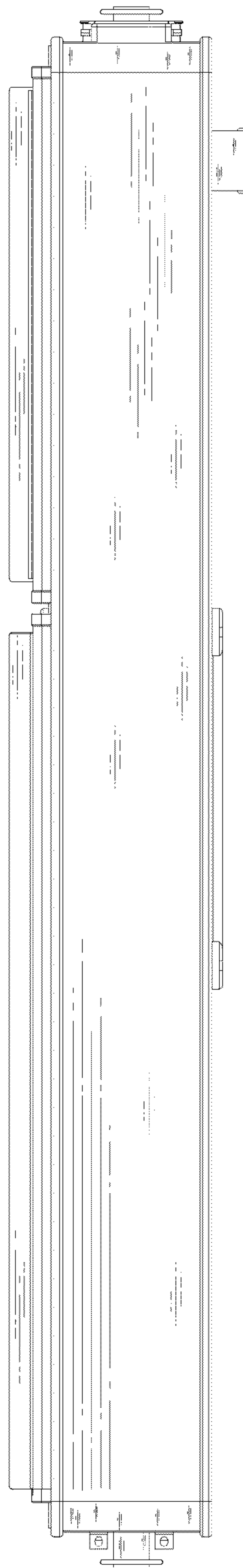


Fig. 7