



US00D758724S

(12) **United States Design Patent**  
**Guest**

(10) **Patent No.:** **US D758,724 S**  
(45) **Date of Patent:** **\*\* Jun. 14, 2016**

(54) **WALLET**  
(71) Applicant: **Brian Guest**, Los Angeles, CA (US)  
(72) Inventor: **Brian Guest**, Los Angeles, CA (US)  
(\*\*) Term: **14 Years**  
(21) Appl. No.: **29/513,814**  
(22) Filed: **Jan. 6, 2015**  
(51) **LOC (10) Cl.** ..... **03-01**  
(52) **U.S. Cl.**  
USPC ..... **D3/247**  
(58) **Field of Classification Search**  
USPC ..... D3/232–233, 240–243, 245, 247–248,  
D3/250, 253; 150/130, 132, 136–137, 145,  
150/147  
CPC .... A45C 1/06; A45C 11/182; A45C 13/1038;  
A45C 13/30; A45C 2013/1061; B65C 65/00;  
B65D 83/12; B65D 6/04  
See application file for complete search history.

D575,506 S \* 8/2008 Huang ..... D3/247  
D584,049 S \* 1/2009 Uzelac ..... D3/247  
D589,701 S \* 4/2009 Christ ..... D3/247  
7,640,632 B2 \* 1/2010 Lazarus ..... A45C 1/02  
150/143  
D628,796 S \* 12/2010 Uzelac ..... D3/247  
D645,246 S \* 9/2011 Miller ..... D3/247  
D650,581 S \* 12/2011 Wallace ..... D3/247  
D690,931 S \* 10/2013 Minn ..... D3/247  
D716,043 S \* 10/2014 Wilk ..... D3/247  
D716,044 S \* 10/2014 Wilk ..... D3/247  
D718,525 S \* 12/2014 Kim ..... D3/247  
D719,350 S \* 12/2014 Daoura ..... D3/247  
9,125,464 B2 \* 9/2015 Minn ..... A45C 1/06  
2005/0279435 A1 \* 12/2005 Coates ..... A45C 11/182  
150/147  
2009/0020570 A1 \* 1/2009 Chan ..... A45F 5/00  
224/222  
2009/0090753 A1 \* 4/2009 Irvin ..... A45C 1/04  
224/218  
2012/0104059 A1 \* 5/2012 Yen ..... A45C 11/00  
224/218  
2013/0276943 A1 \* 10/2013 Minn ..... A45C 1/06  
150/137

\* cited by examiner

*Primary Examiner* — Derrick Holland

*Assistant Examiner* — Jennifer O King

(74) *Attorney, Agent, or Firm* — Dunlap, Bennett & Ludwig  
PLLC

(56) **References Cited**  
U.S. PATENT DOCUMENTS

956,534 A \* 5/1910 Lahey ..... B42F 9/001  
108/43  
1,326,602 A \* 12/1919 McKey ..... A45C 1/06  
150/132  
1,367,650 A \* 2/1921 Angier ..... B65D 65/00  
206/83.5  
1,447,331 A \* 3/1923 Angier ..... B65D 65/00  
206/442  
D264,022 S \* 4/1982 Wayman ..... D3/247  
4,913,327 A \* 4/1990 Wu ..... A45C 1/00  
224/247  
D326,185 S \* 5/1992 Miscavage ..... D3/250  
5,459,905 A \* 10/1995 Voyre ..... B29C 47/0023  
24/17 B  
D384,499 S \* 10/1997 Gaestel ..... D3/247  
6,708,375 B1 \* 3/2004 Johnson ..... A44D 15/005  
24/17 A

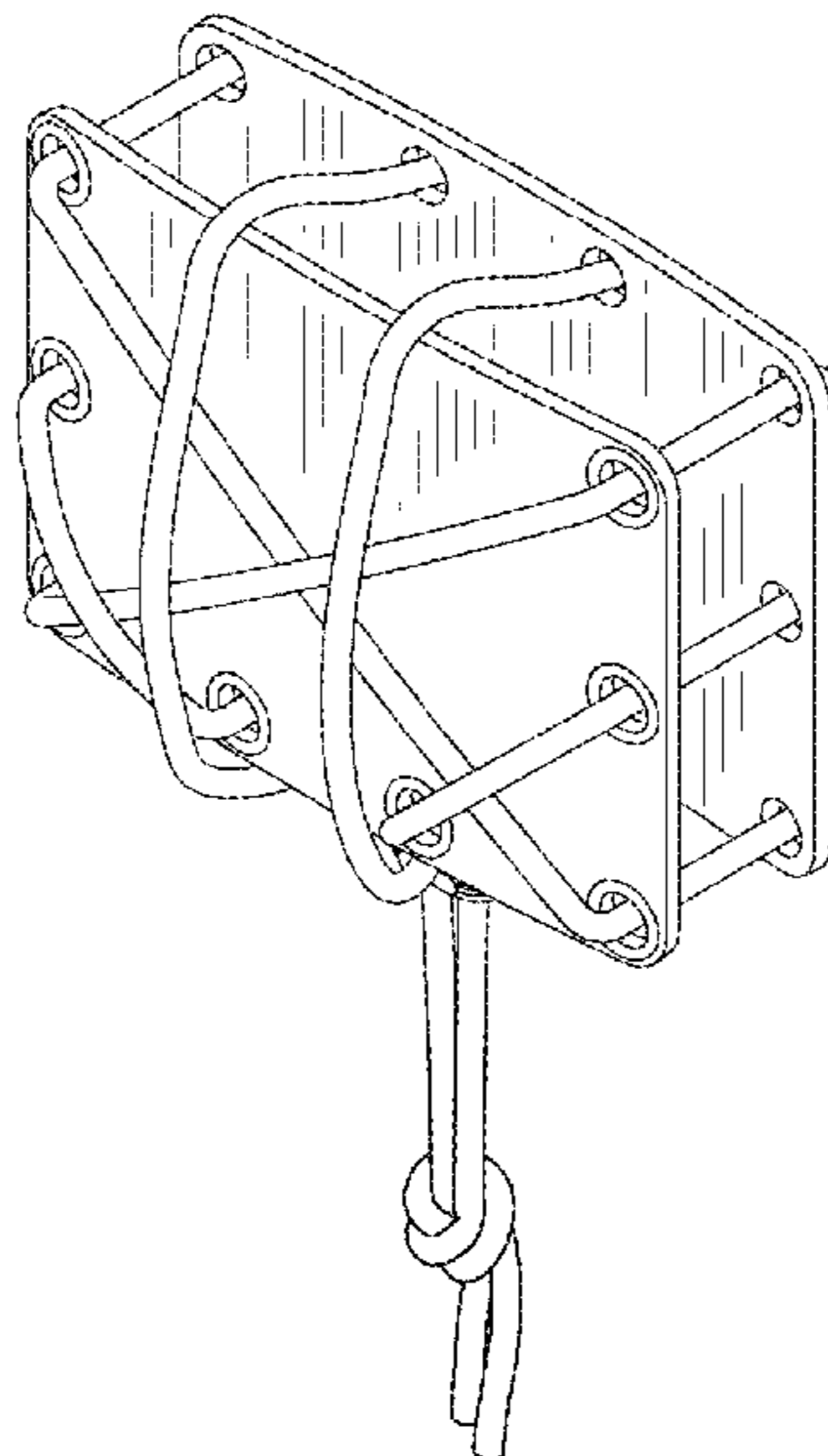
(57) **CLAIM**

The ornamental design for a wallet, as shown and described.

**DESCRIPTION**

FIG. 1 is a top front perspective view of a wallet;  
FIG. 2 is a front elevation view thereof;  
FIG. 3 is a rear elevation view thereof;  
FIG. 4 is a left side elevation view thereof;  
FIG. 5 is a right side elevation view thereof;  
FIG. 6 is a top plan view thereof; and,  
FIG. 7 is a bottom plan view thereof.

**1 Claim, 3 Drawing Sheets**



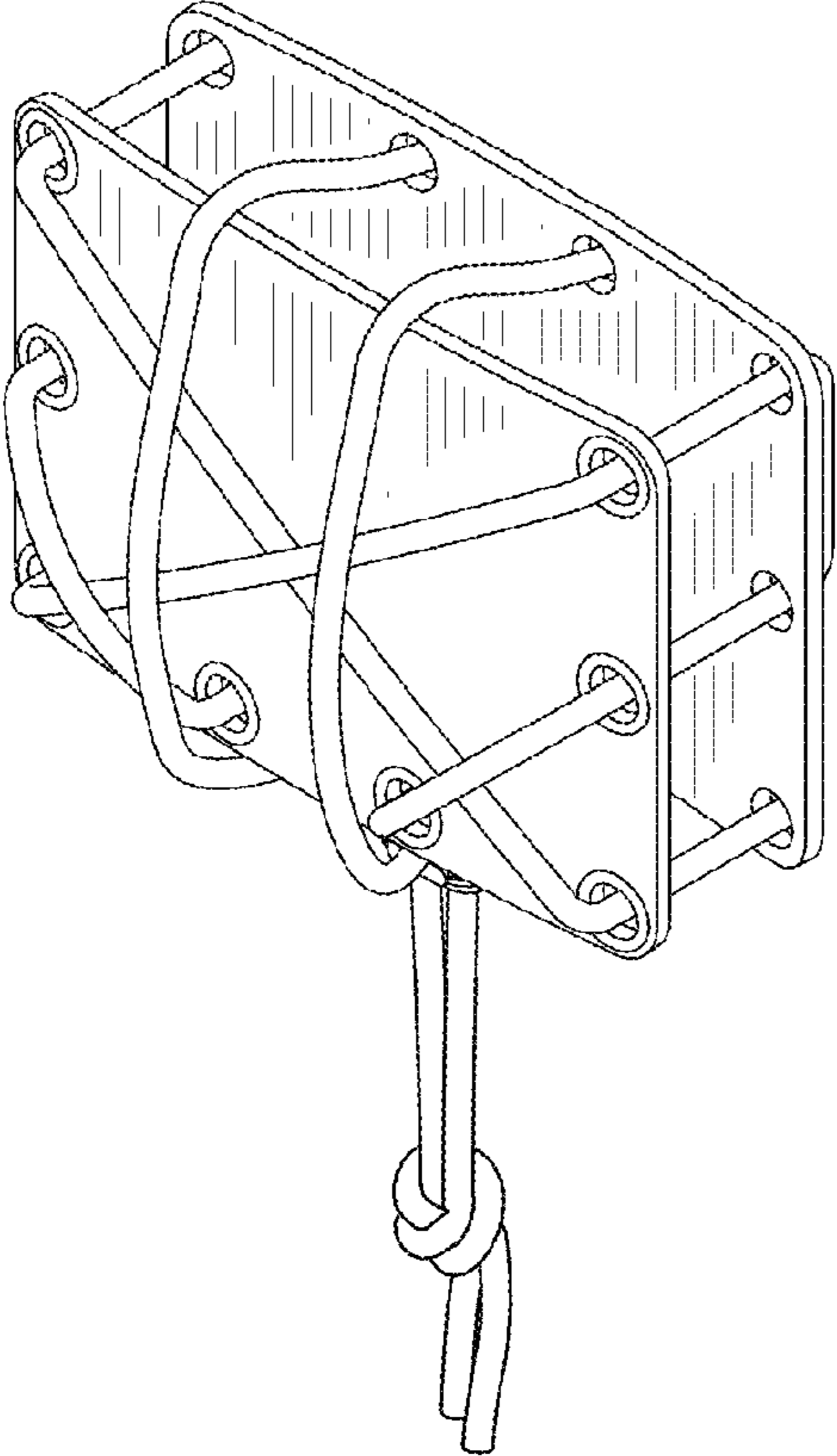


FIG. 1

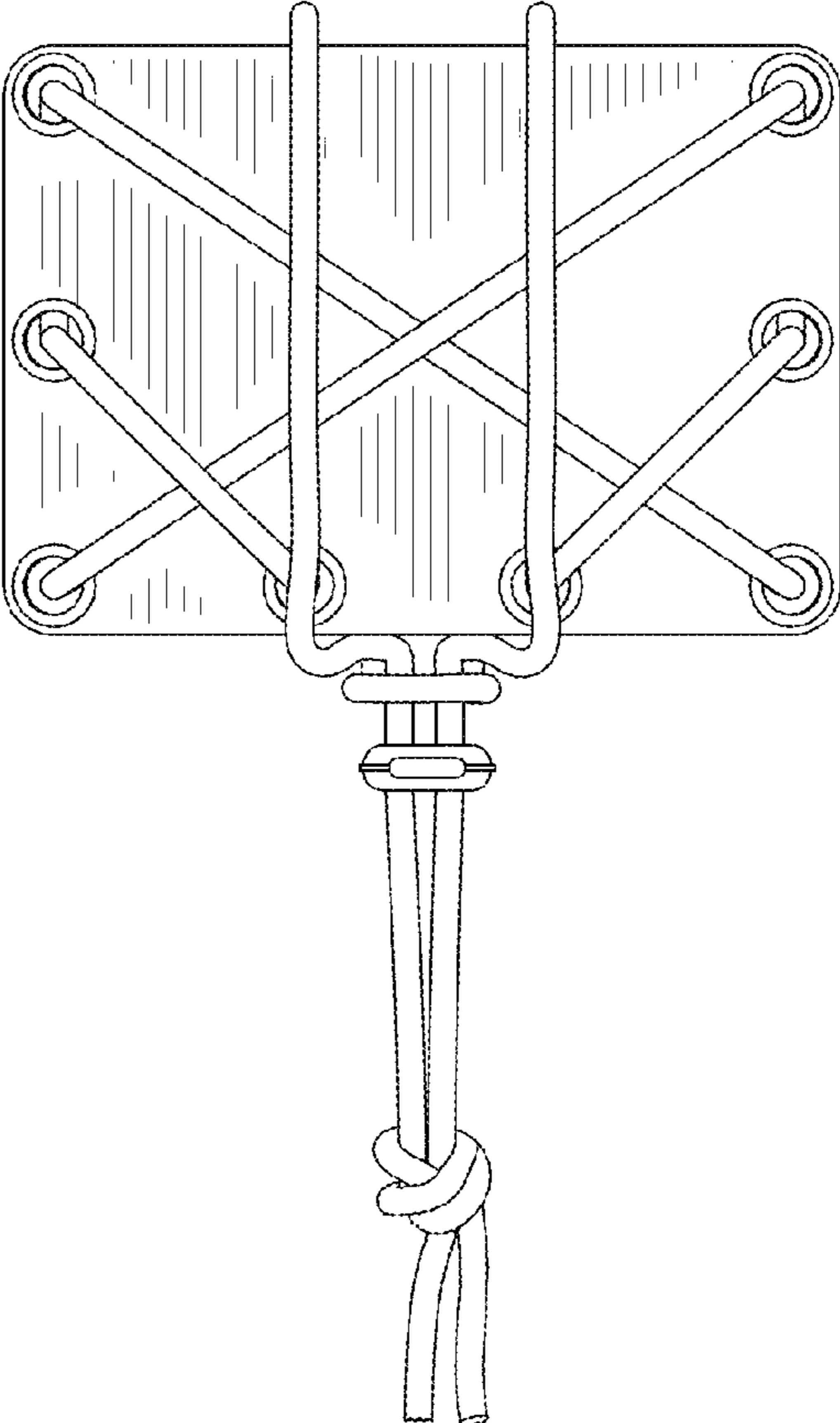


FIG. 2

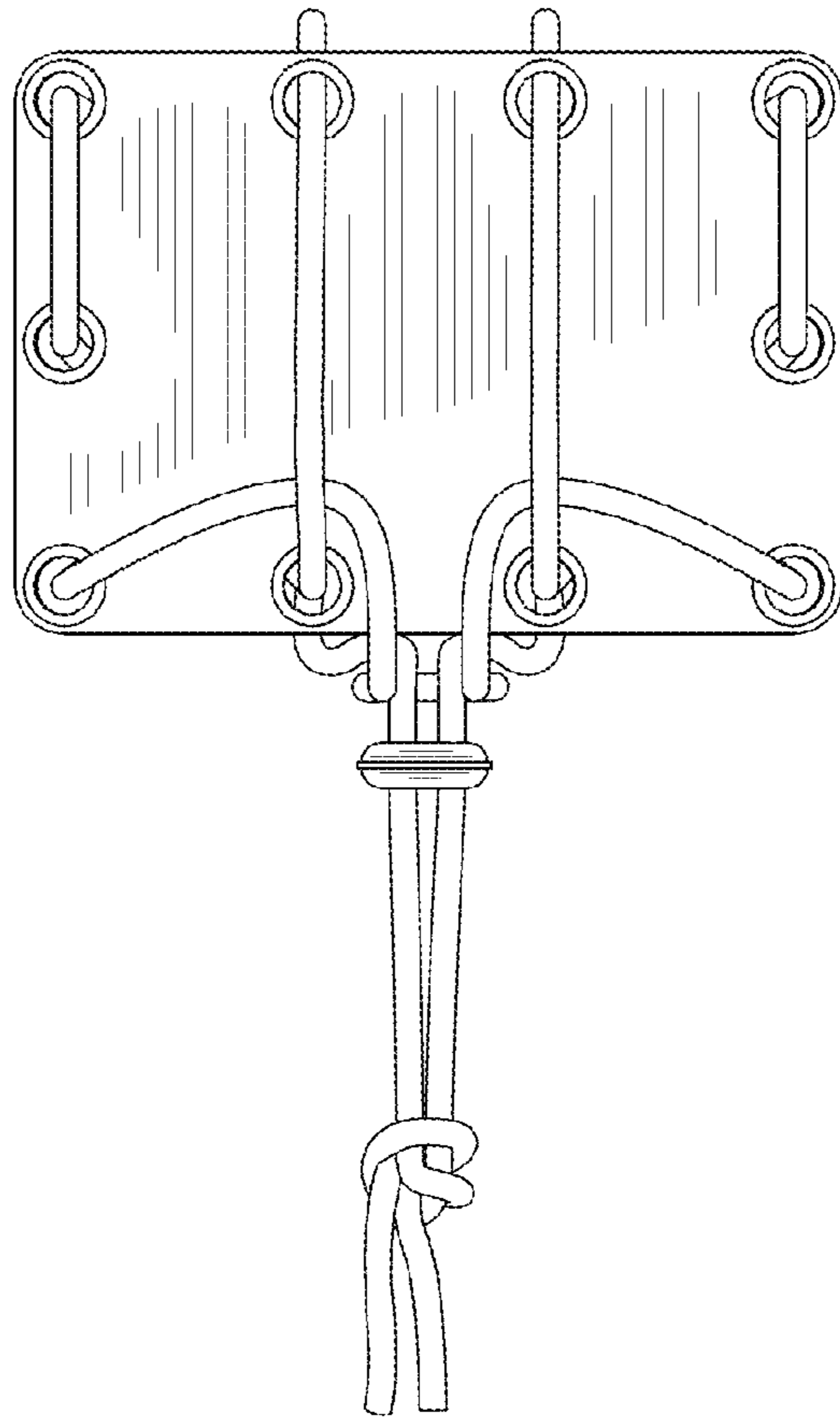


FIG. 3

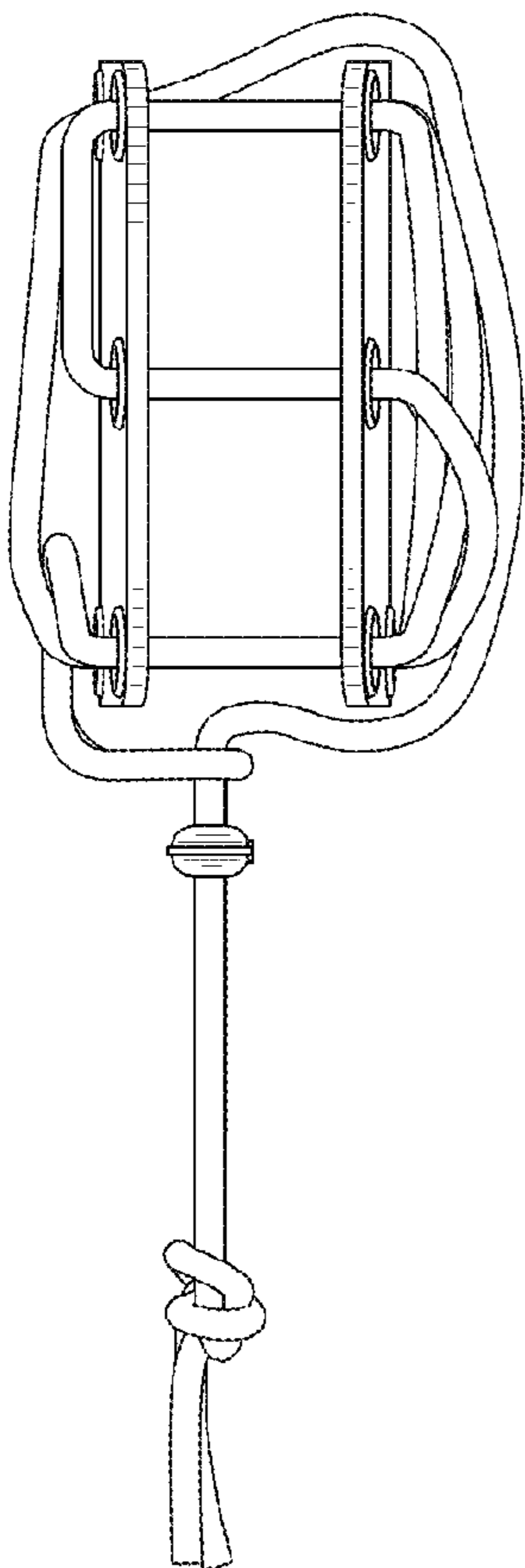


FIG. 4

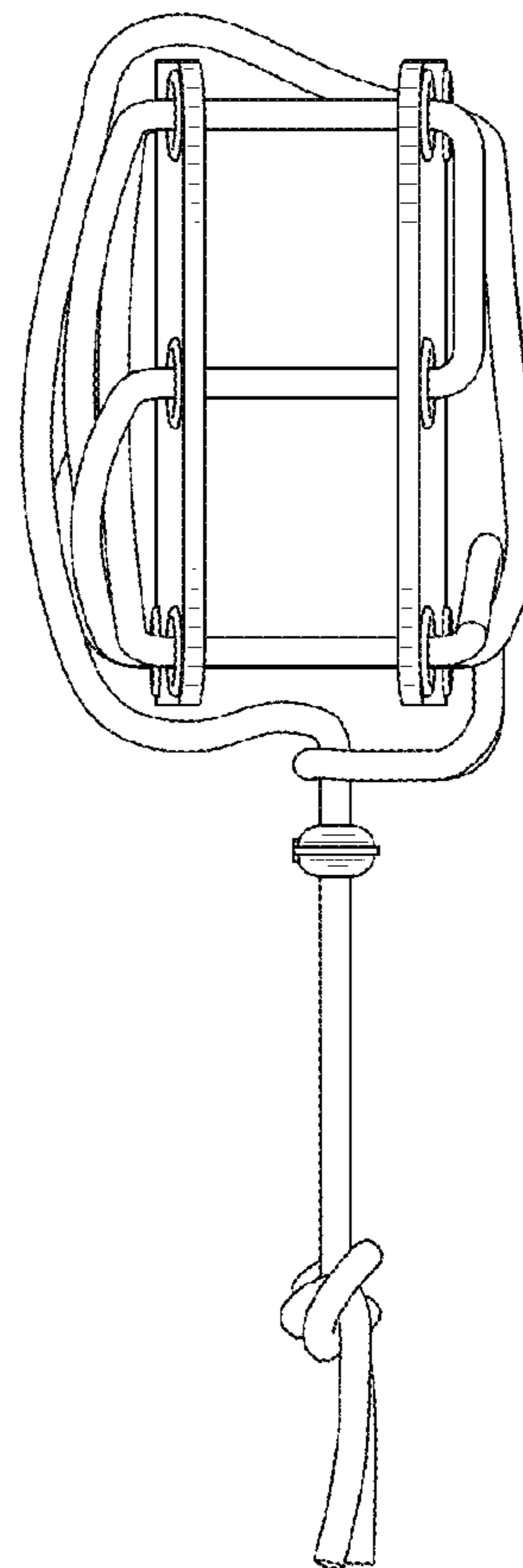


FIG. 5

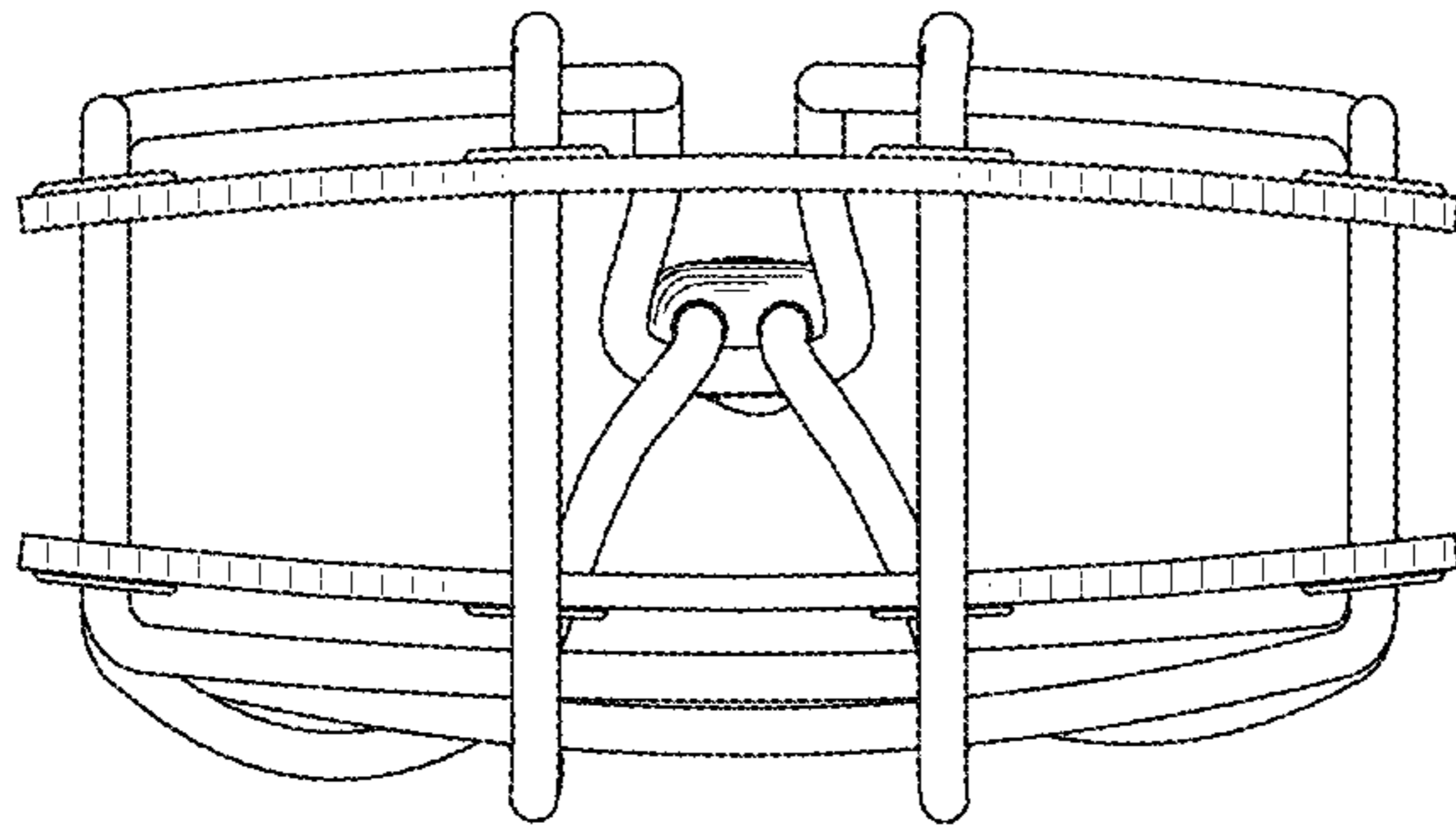


FIG. 6

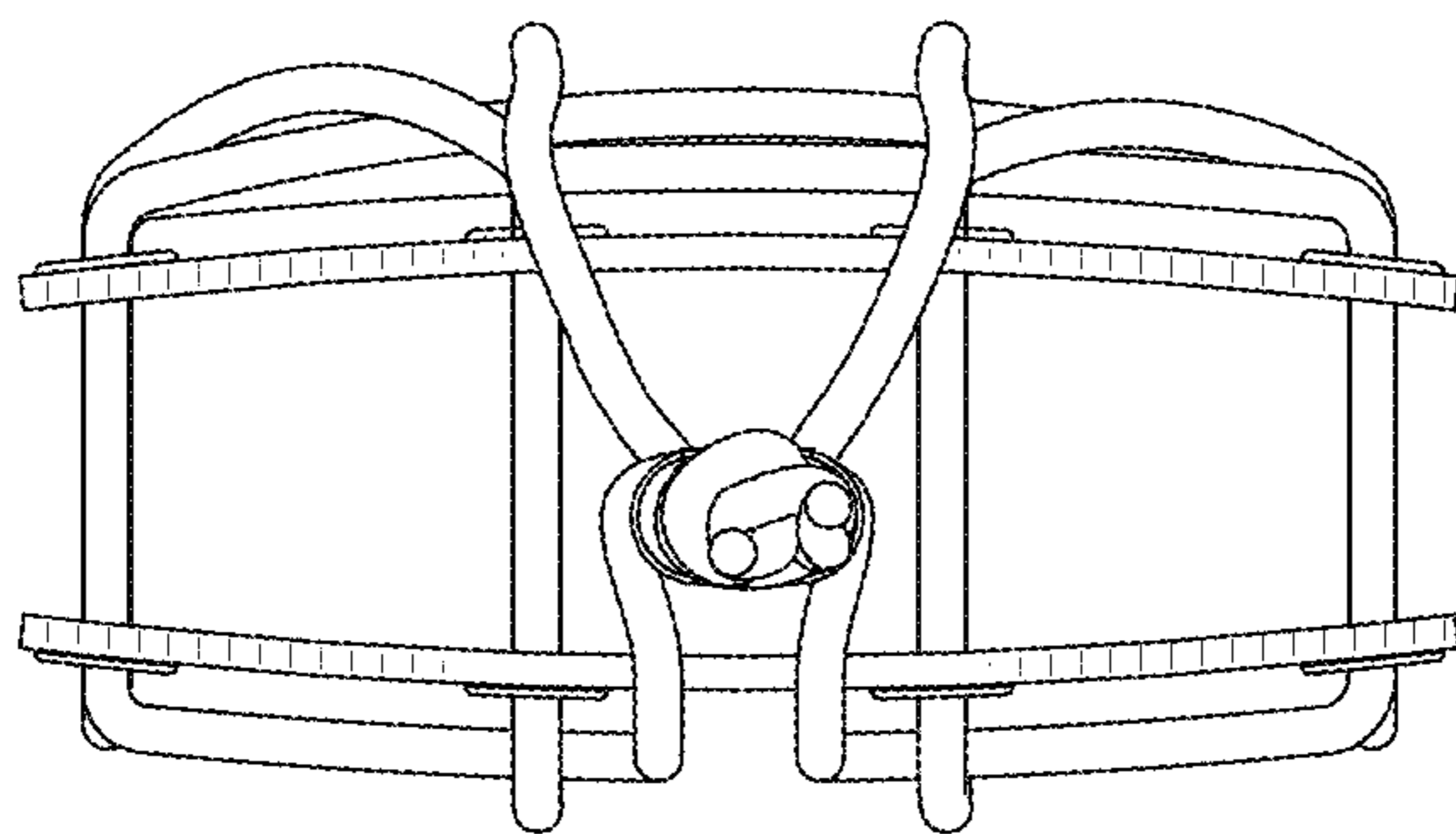


FIG. 7