



US00D758723S

(12) **United States Design Patent**  
**Stulman**

(10) **Patent No.:** **US D758,723 S**  
(45) **Date of Patent:** **\*\* Jun. 14, 2016**

(54) **HANDBAG**

(56) **References Cited**

(71) Applicant: **LANCEL INTERNATIONAL SA,**  
Villars-sur-Glâne (CH)

(72) Inventor: **Nicole Stulman,** Paris (FR)

(73) Assignee: **LANCEL INTERNATIONAL SA,**  
Villars-sur-Glâne (CH)

(\*\*) Term: **14 Years**

(21) Appl. No.: **29/520,024**

(22) Filed: **Mar. 10, 2015**

(30) **Foreign Application Priority Data**

Jan. 5, 2015 (WO) ..... DM/085 329

(51) **LOC (10) Cl.** ..... **03-01**

(52) **U.S. Cl.**  
USPC ..... **D3/246**

(58) **Field of Classification Search**  
USPC ..... D3/207, 226, 230–234, 239–249, 201,  
D3/202, 205, 252, 254, 258, 271.1, 273,  
D3/274, 276, 283, 289, 301, 303; D7/601,  
D7/607  
CPC ..... A45C 1/024; A45C 3/08; A45C 3/06;  
A45C 3/04; A45C 3/10; A45C 3/12; A45C  
5/00

See application file for complete search history.

U.S. PATENT DOCUMENTS

D163,726 S *	6/1951	Milan	.....	150/108
D250,794 S *	1/1979	Siegel	.....	D3/243
D502,813 S *	3/2005	Gonzalez	.....	D3/326
D539,032 S *	3/2007	Guyon	.....	D3/243
D648,122 S *	11/2011	Guyon	.....	D3/243
D650,991 S *	12/2011	Yuson	.....	D3/318
D653,850 S *	2/2012	Gonzalez	.....	D3/232
D662,318 S *	6/2012	Guichot	.....	D3/243
D679,495 S *	4/2013	Dolce	.....	D3/243
D679,496 S *	4/2013	Dolce	.....	D3/243
D683,957 S *	6/2013	Guyon	.....	D3/243
D686,820 S *	7/2013	Song	.....	D3/243

\* cited by examiner

*Primary Examiner* — Susan Bennett Hattan

*Assistant Examiner* — Jennifer Wright

(74) *Attorney, Agent, or Firm* — David J. Serbin

(57) **CLAIM**

The ornamental design for a handbag, substantially as shown and described.

**DESCRIPTION**

FIG. 1 is a front view of a handbag, showing the new design; FIG. 2 is a back view thereof; FIG. 3 is a top view thereof; FIG. 4 is a bottom view thereof; FIG. 5 is a left side view thereof; FIG. 6 is a right side view thereof; and, FIG. 7 is a perspective view thereof. The broken lines in the drawings depict stitching and form part of the claimed design.

**1 Claim, 5 Drawing Sheets**

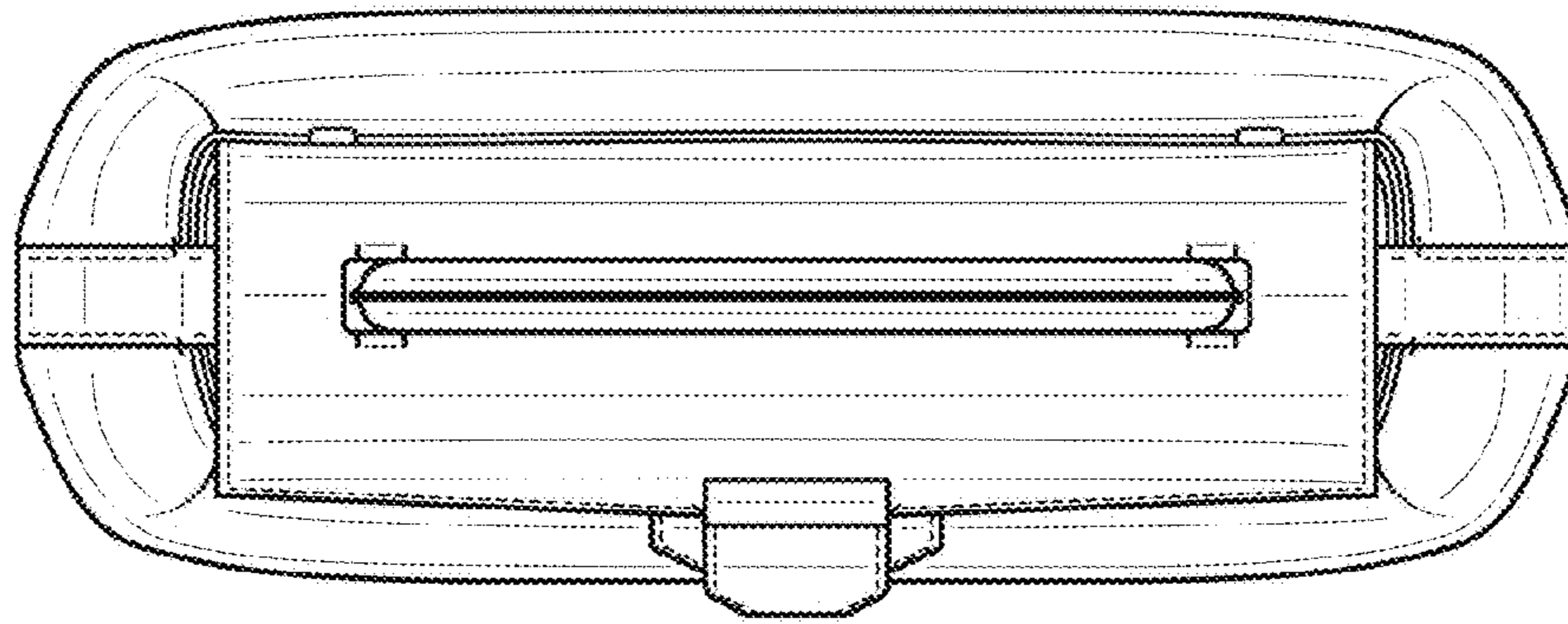




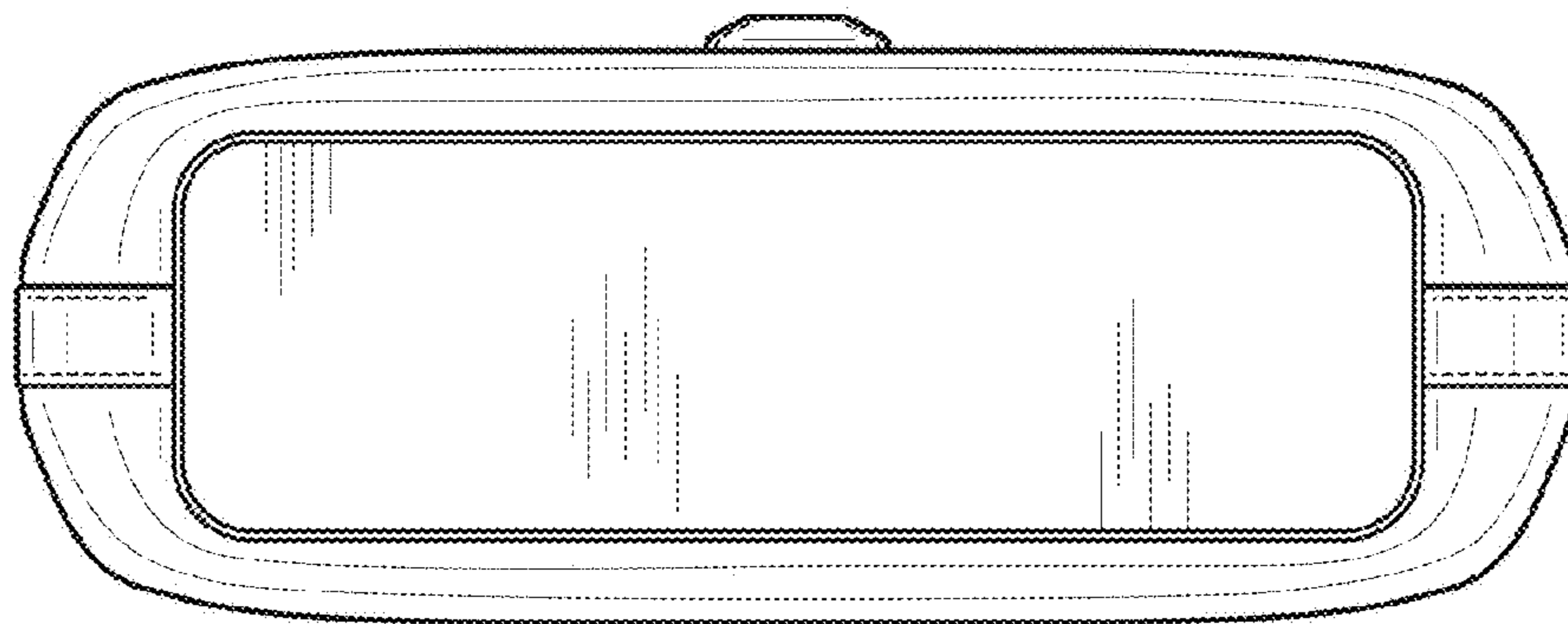
**FIG. 1**



**FIG. 2**

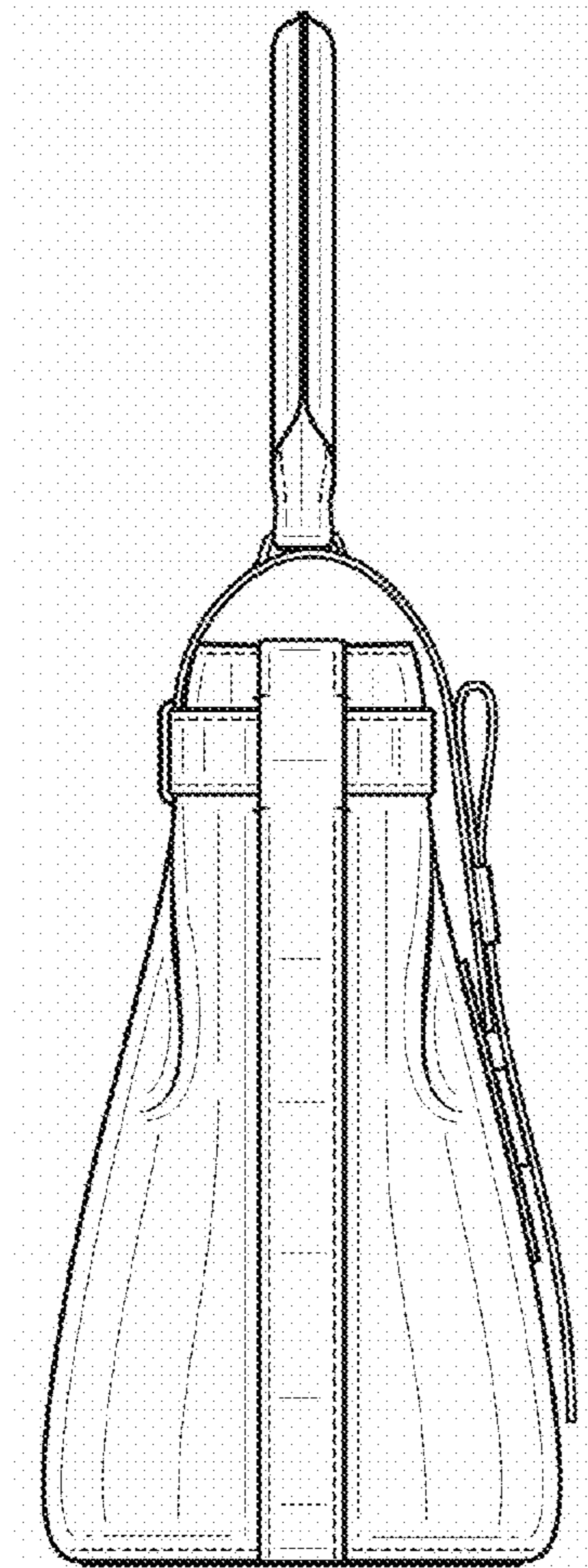


**FIG. 3**

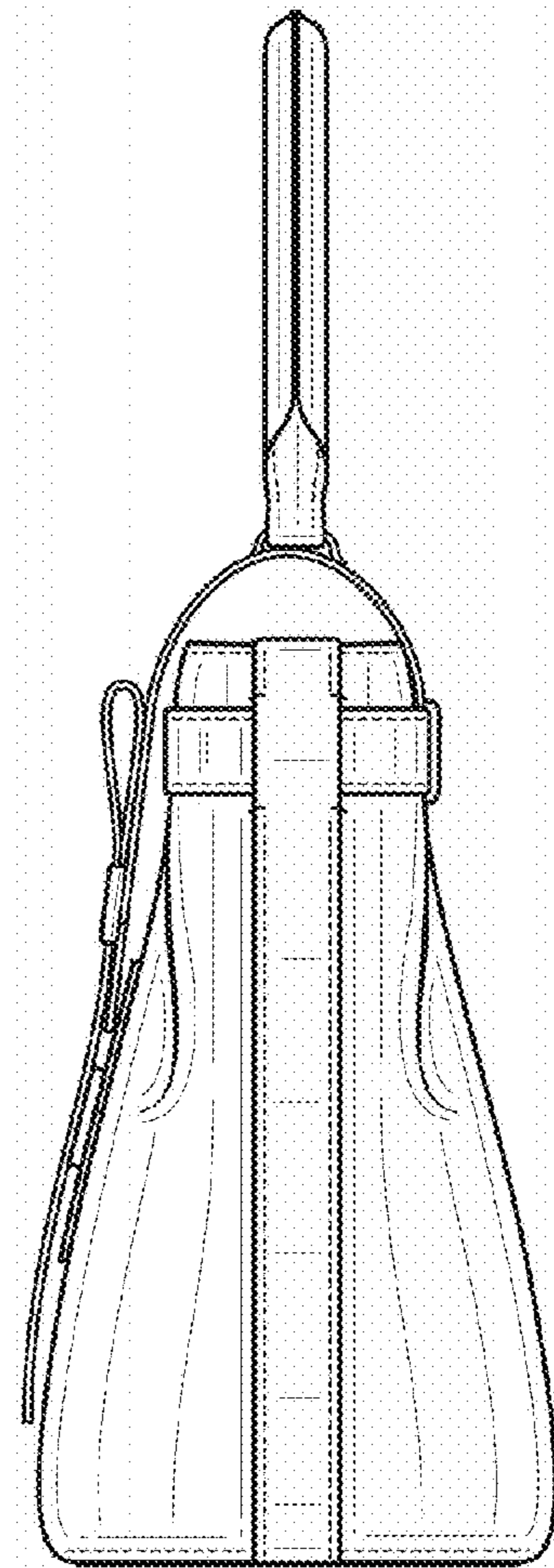


**FIG. 4**





**FIG. 5**



**FIG. 6**



**FIG. 7**