



US00D758717S

(12) **United States Design Patent**
Joo et al.

(10) **Patent No.:** **US D758,717 S**
(45) **Date of Patent:** **** Jun. 14, 2016**

- (54) **TOTE**
- (71) Applicant: **SKIP HOP, INC.**, New York, NY (US)
- (72) Inventors: **Rany Joo**, Hawthorne, NY (US);
Chelsea Carter, Brooklyn, NY (US);
Ellen Diamant, New York, NY (US)
- (73) Assignee: **SKIP HOP, INC.**, New York, NY (US)
- (**) Term: **14 Years**
- (21) Appl. No.: **29/493,466**
- (22) Filed: **Jun. 10, 2014**
- (51) **LOC (10) Cl.** **03-01**
- (52) **U.S. Cl.**
USPC **D3/232**
- (58) **Field of Classification Search**
USPC D3/232–233, 240–243, 245, 246, 318;
150/100, 103–110, 113, 114, 117–119
CPC A45C 1/024; A45C 3/06
See application file for complete search history.

- D715,544 S * 10/2014 Levine D3/246
- D730,643 S * 6/2015 Langer D3/232
- 2002/0121322 A1* 9/2002 Seamon A45C 1/024
150/113
- 2003/0136623 A1* 7/2003 Renz A45C 3/06
190/111
- 2009/0294237 A1* 12/2009 Sisitsky A45C 1/024
190/103

* cited by examiner

Primary Examiner — Derrick Holland
Assistant Examiner — Jennifer O King

(74) *Attorney, Agent, or Firm* — Stephen J. Weyer, Esq.;
Stites & Harbison, PLLC

(57) **CLAIM**

The ornamental design for a tote, as shown and described.

DESCRIPTION

FIG. 1 is a perspective view taken from the top, front, and left side of the tote of the present invention.

FIG. 2 is a left side elevational view of the tote of FIG. 1, the opposite side being nearly a mirror image thereof.

FIG. 3 is a bottom plan view of the tote of FIG. 1.

FIG. 4 is a top plan view of the tote of FIG. 1.

FIG. 5 is a front elevational view of the tote of FIG. 1.

FIG. 6 is a rear elevational view of the tote of FIG. 1.

FIG. 7 is a perspective view taken from the top, front, and left side of the tote of FIG. 1, in which a front center pouch zipper is open showing two removable organizers inside the pouch; and,

FIG. 8 is an exploded view of the tote of FIG. 7, in which the two removable organizers are depicted outside the front center pouch.

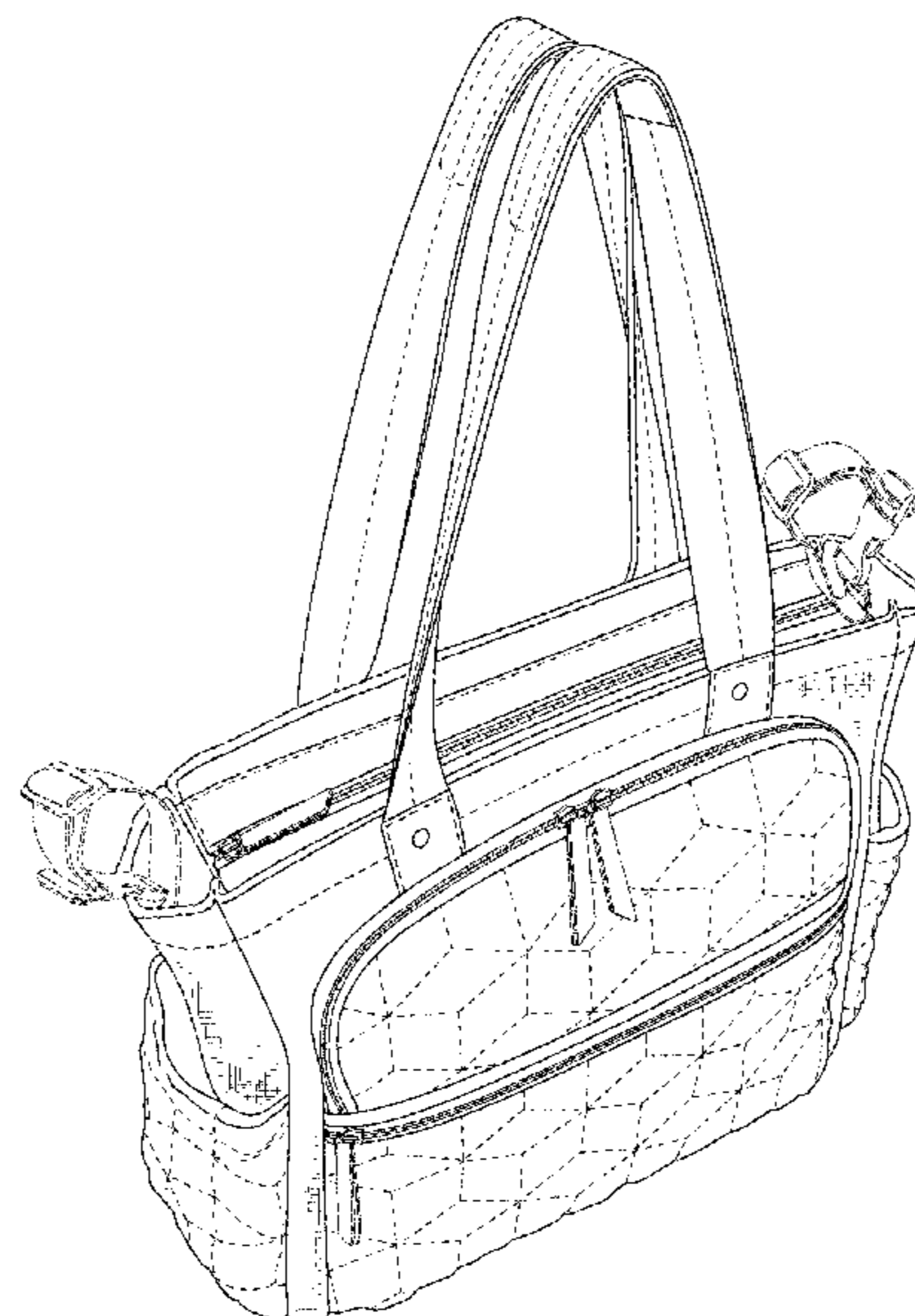
Portions drawn in dash-dot broken lines are unclaimed elements and do not form any part of the claimed design. The dash-dash broken lines shown represent stitching, and are part of the claimed design.

1 Claim, 8 Drawing Sheets

(56) **References Cited**

U.S. PATENT DOCUMENTS

- D144,114 S * 3/1946 Kaphan D3/245
- D256,632 S * 9/1980 Workman D3/287
- D390,004 S * 2/1998 Tawil D3/232
- D418,308 S * 1/2000 Lu D5/53
- D489,905 S * 5/2004 Hynnek D5/53
- D546,058 S * 7/2007 Guyon D3/233
- D555,431 S * 11/2007 Gostt D3/244
- D559,538 S * 1/2008 Dew D3/232
- D570,111 S * 6/2008 Guyon D3/246
- D581,659 S * 12/2008 Sassi D3/232
- D587,451 S * 3/2009 Guichot D3/246
- D658,873 S * 5/2012 Guyon D3/245
- D666,837 S * 9/2012 Elser D5/58
- D710,116 S * 8/2014 Blackford D5/58
- D714,546 S * 10/2014 Joo D3/245



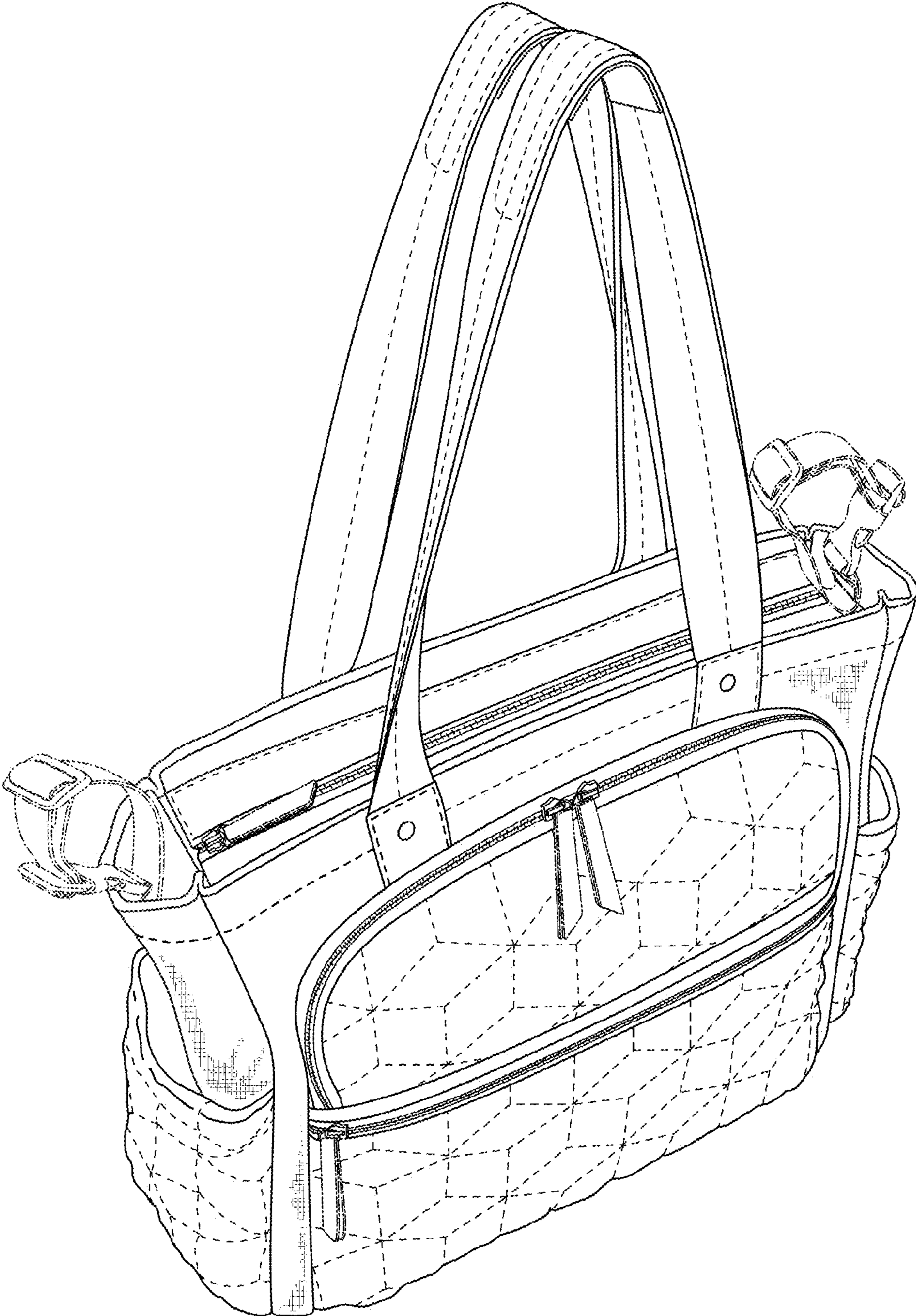


FIG. 1

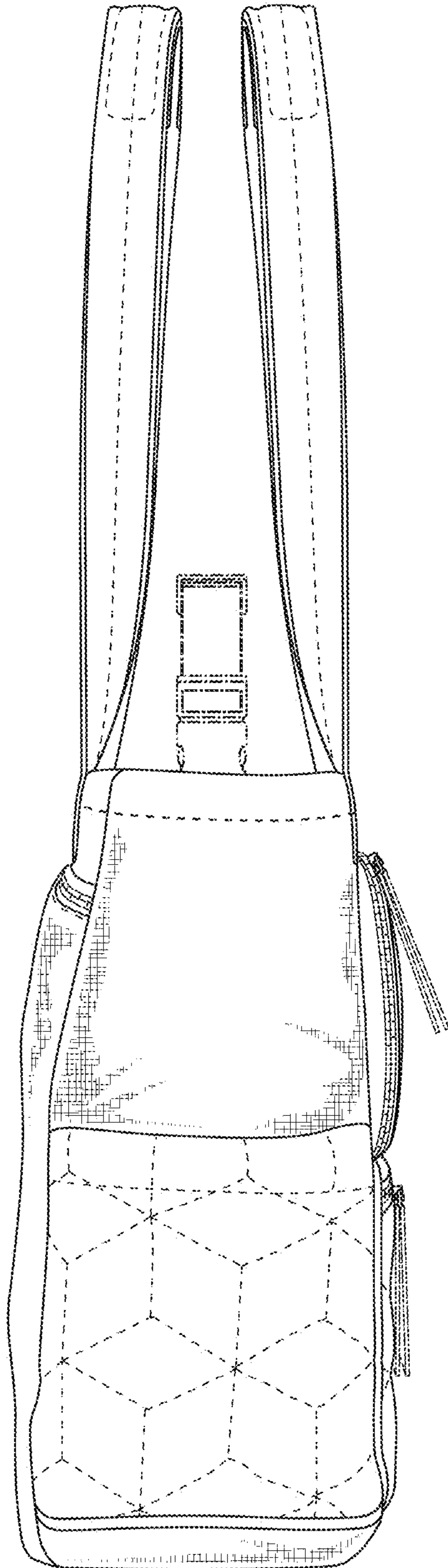


FIG. 2

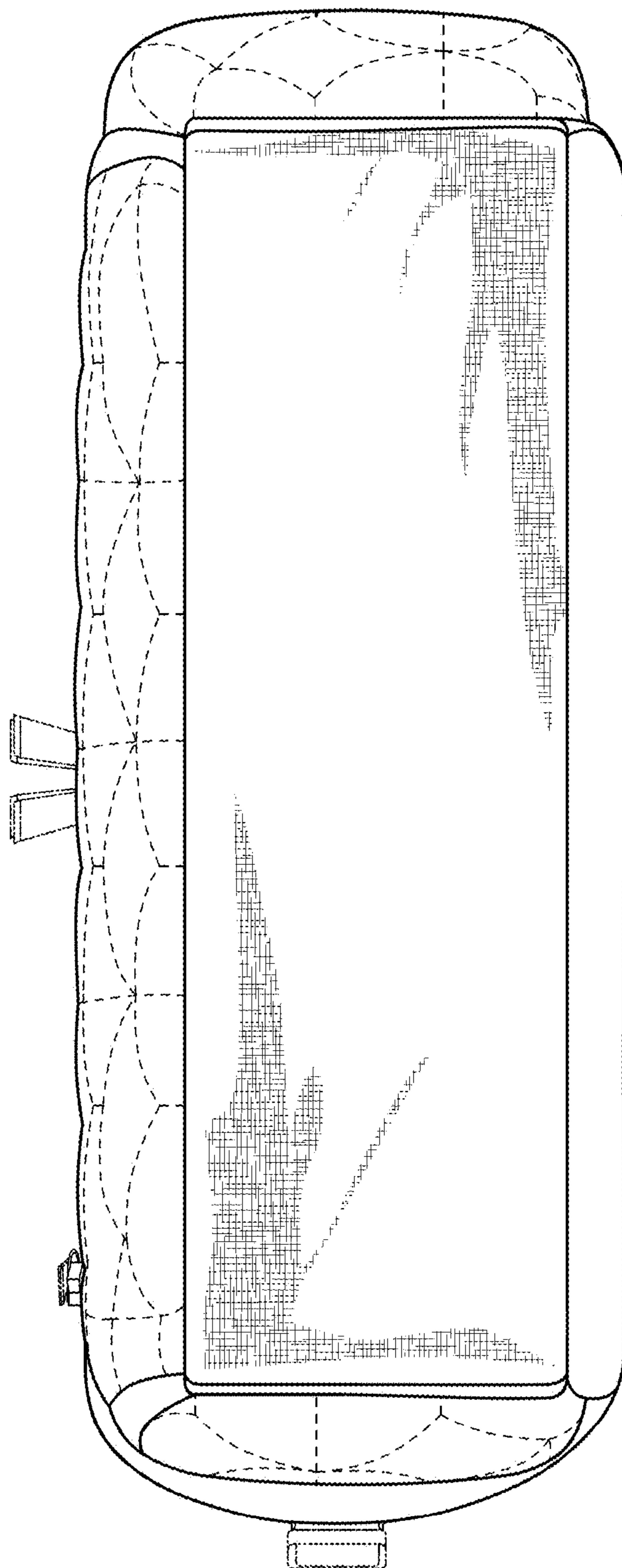


FIG. 3

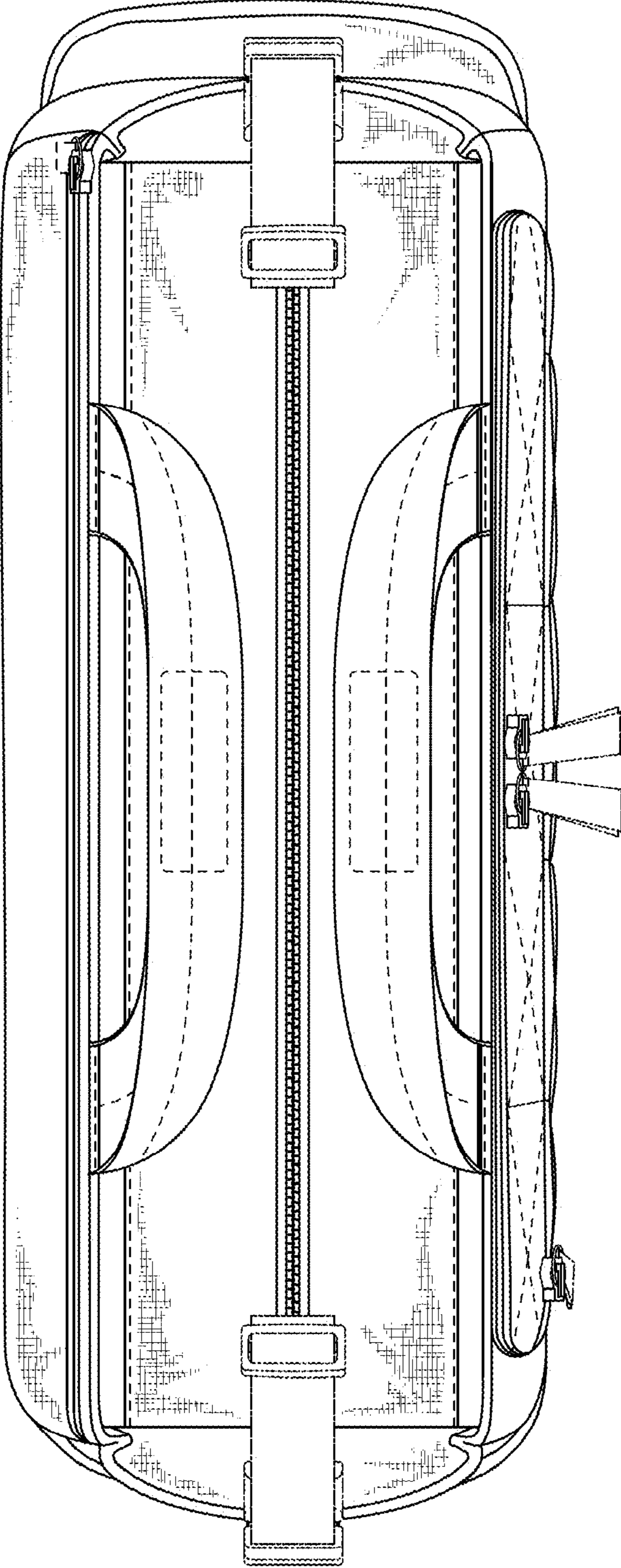


FIG. 4

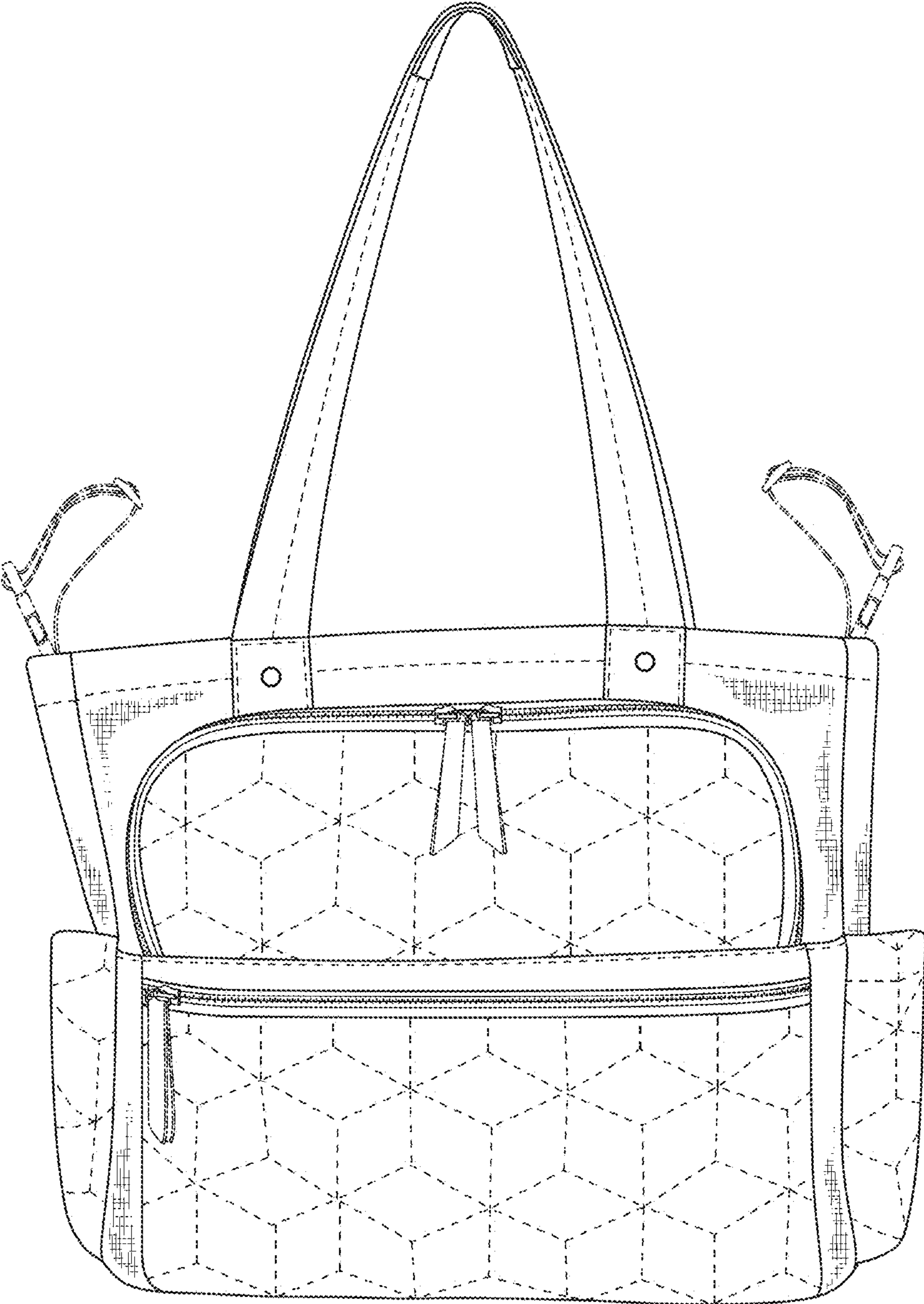


FIG. 5

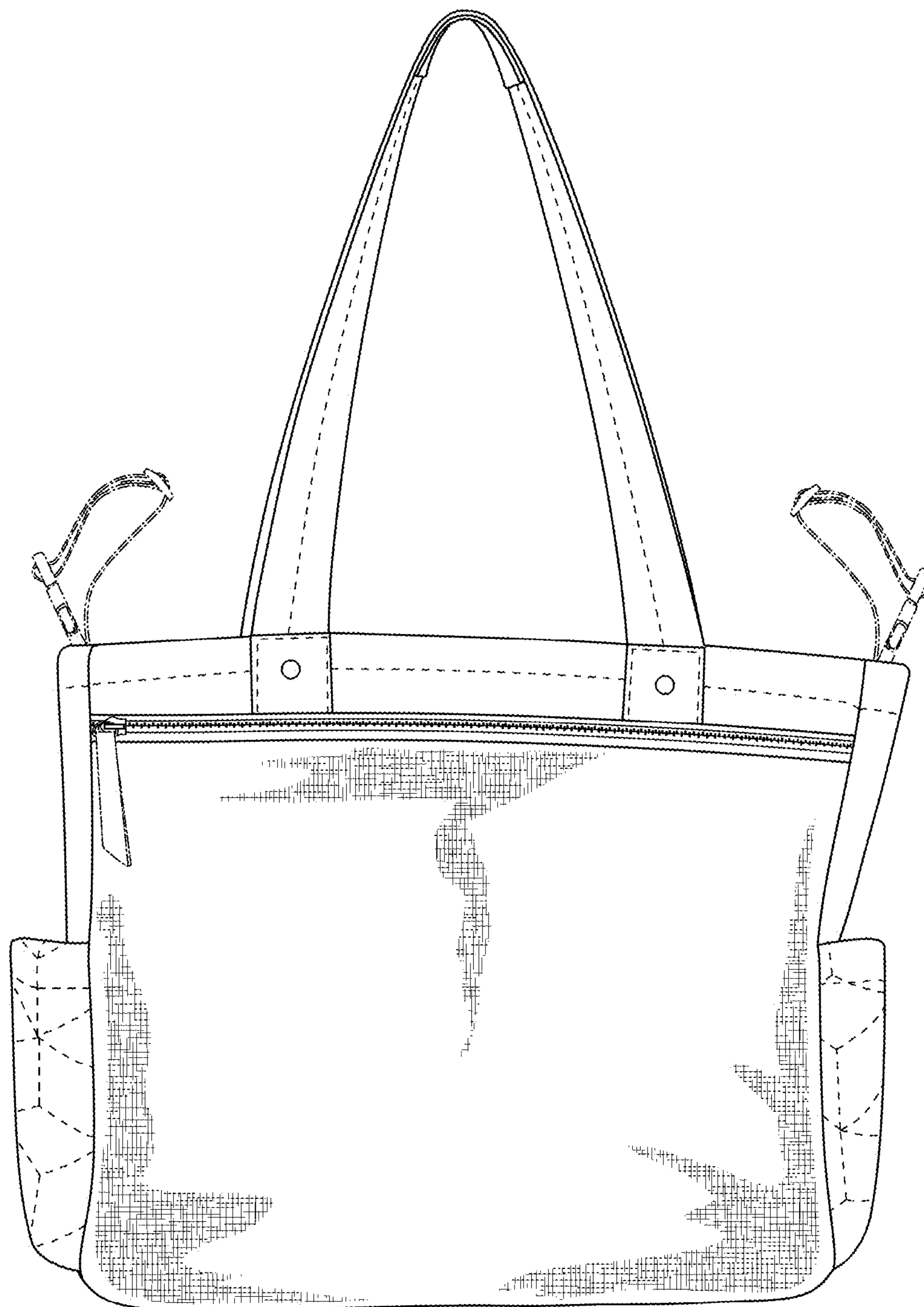


FIG. 6

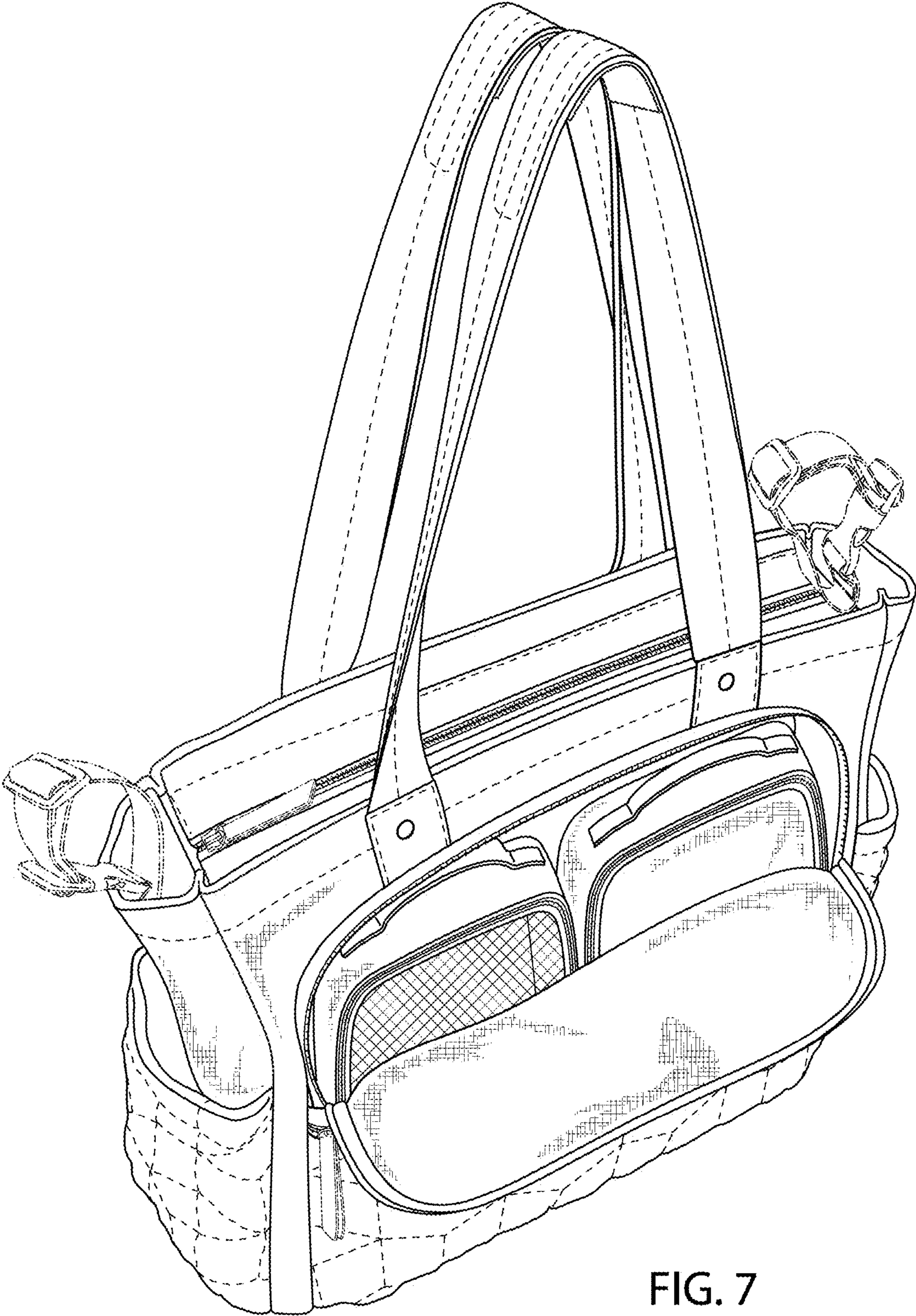


FIG. 7

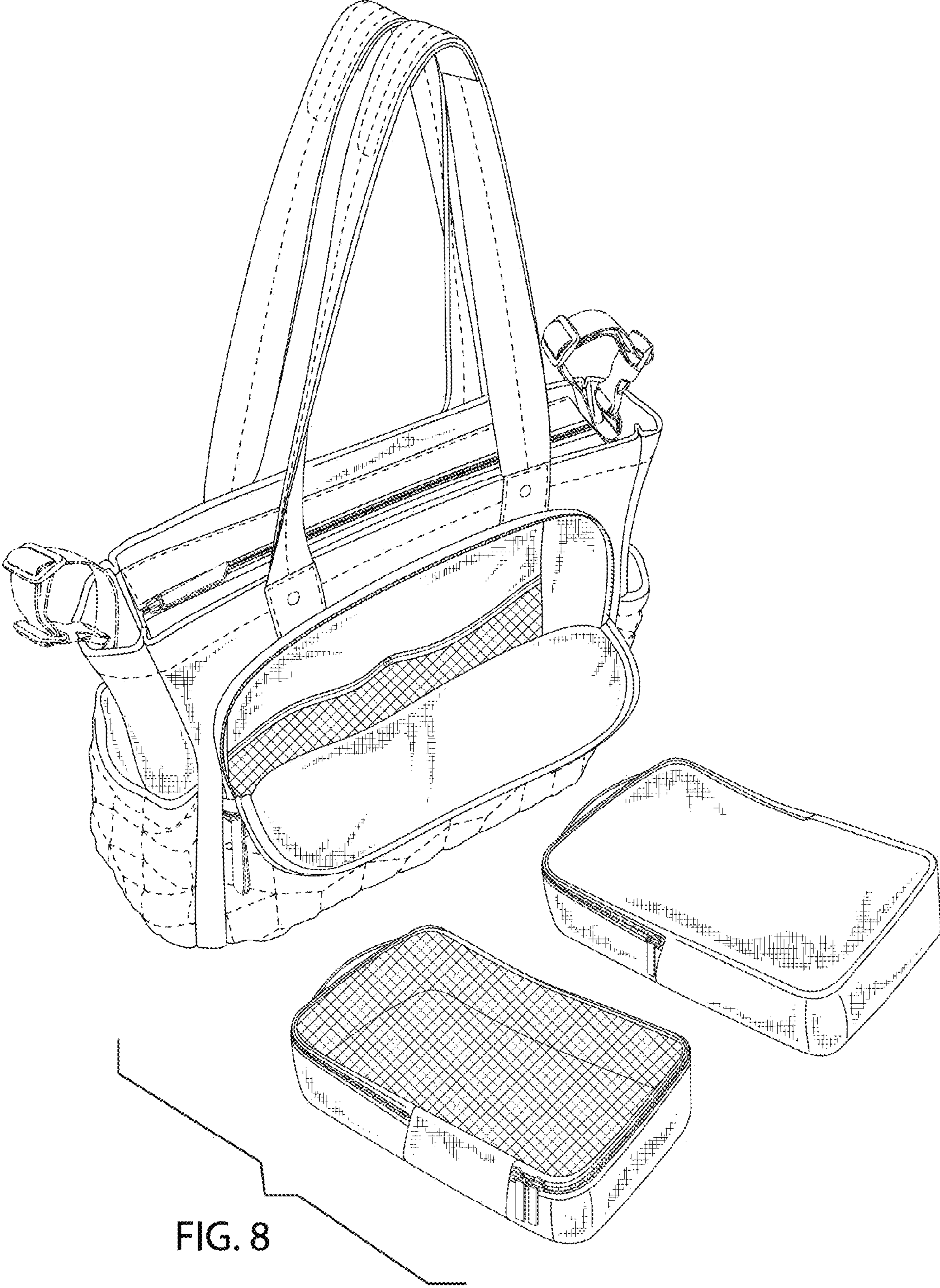


FIG. 8