



US00D758714S

(12) **United States Design Patent**
Knowles

(10) **Patent No.:** **US D758,714 S**
(45) **Date of Patent:** **** Jun. 14, 2016**

- (54) **CONCEALABLE KEY/CLIP**
- (71) Applicant: **Justin Knowles**, Issaquah, WA (US)
- (72) Inventor: **Justin Knowles**, Issaquah, WA (US)
- (**) Term: **15 Years**
- (21) Appl. No.: **29/543,733**
- (22) Filed: **Oct. 27, 2015**

5,768,924 A *	6/1998	Song	A45C 13/023 70/408
D439,401 S *	3/2001	Johnson	D3/211
D478,207 S *	8/2003	Johnson	D3/207
D479,907 S *	9/2003	Ruiz	24/3.6
D499,543 S *	12/2004	Johnson	D3/211
D529,370 S *	10/2006	Parsons	D8/347
D581,655 S *	12/2008	Johnson	D3/211
D623,042 S *	9/2010	Ranshaw	D8/347

* cited by examiner

Primary Examiner — Ralf Seifert
(74) *Attorney, Agent, or Firm* — DWC Law Firm, P.S.;
David Chen

Related U.S. Application Data

- (62) Division of application No. 14/455,792, filed on Aug. 8, 2014, now abandoned.
- (51) **LOC (10) Cl.** **03-01**
- (52) **U.S. Cl.**
USPC **D3/207**
- (58) **Field of Classification Search**
USPC D3/207–212; 70/456 B, 457, 458, 408;
D13/168; D8/347; D10/104; D14/496;
206/37.1; 24/3.6; D29/120.2, 122
CPC H04B 1/034; F04B 15/00
See application file for complete search history.

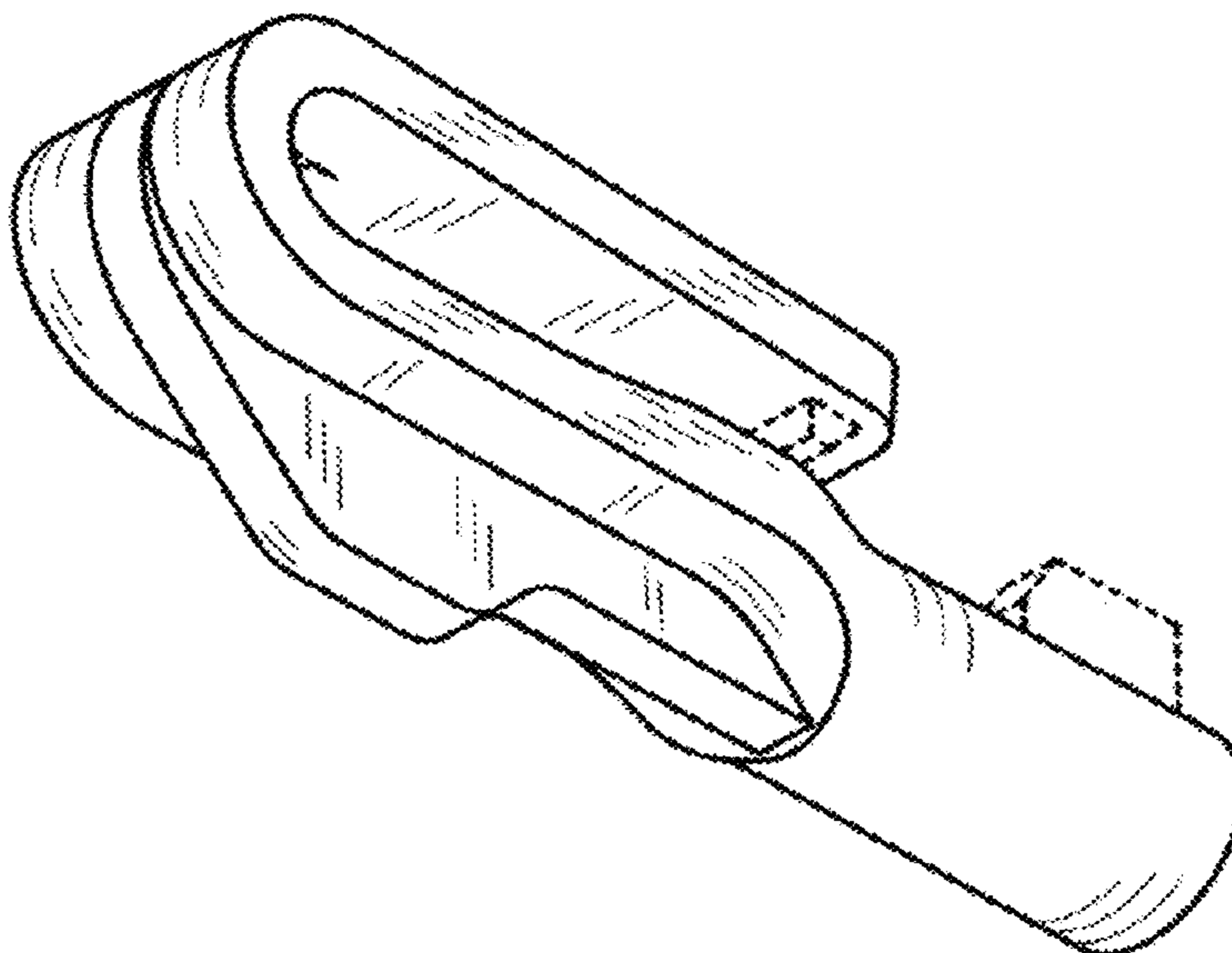
(57) **CLAIM**
The ornamental design for a concealable key/clip, as shown and described.

DESCRIPTION

FIG. 1 is a rear corner isometric view of a concealable key/clip showing my new design.
 FIG. 2 is a front corner isometric view of the concealable key/clip of FIG. 1.
 FIG. 3 is a left side elevation view of the concealable key/clip of FIG. 1.
 FIG. 4 is a right side elevation view of the concealable key/clip of FIG. 1.
 FIG. 5 is a top plan view of the concealable key/clip of FIG. 1.
 FIG. 6 is a bottom plan view of the concealable key/clip of FIG. 1.
 FIG. 7 is a front side elevation view of the concealable key/clip of FIG. 1; and,
 FIG. 8 is a back side elevation view of the concealable key/clip of FIG. 1.
 The broken lines are for illustrative purposes only and form no part of the claimed design.

- (56) **References Cited**
U.S. PATENT DOCUMENTS
- 1,473,361 A * 11/1923 Tebbetts A45F 5/02
206/37
- 2,231,308 A * 2/1941 Walsh A45F 5/02
24/3.6
- 3,744,286 A * 7/1973 Trainor E05B 19/00
70/404
- 3,886,780 A * 6/1975 Falk B21D 53/42
70/404
- D260,994 S * 9/1981 Resh D15/9.1
- D263,243 S * 3/1982 Creamer D19/34
- D301,542 S * 6/1989 Kruger D8/347
- D364,269 S * 11/1995 Sabosky D3/207

1 Claim, 5 Drawing Sheets



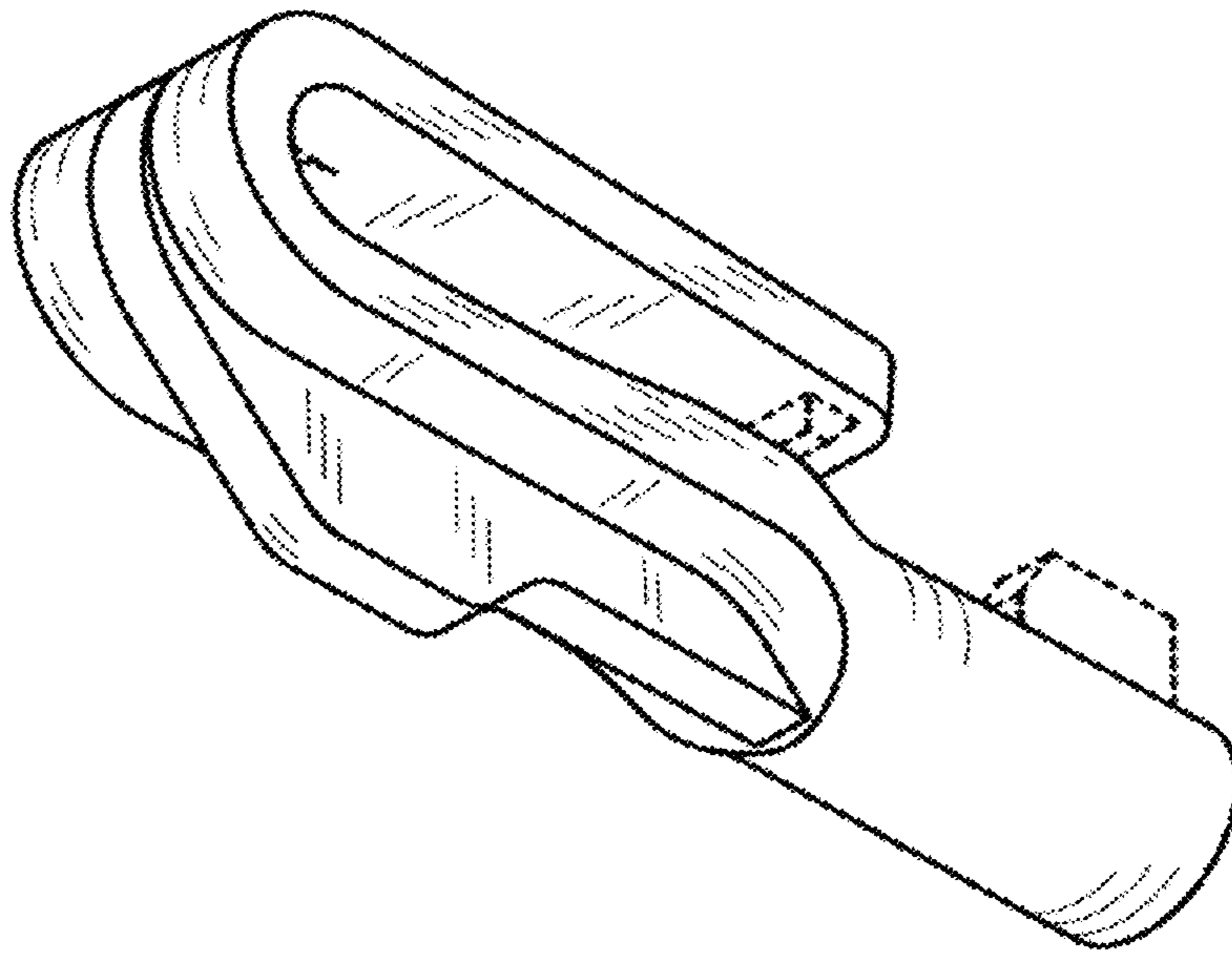


FIG. 1

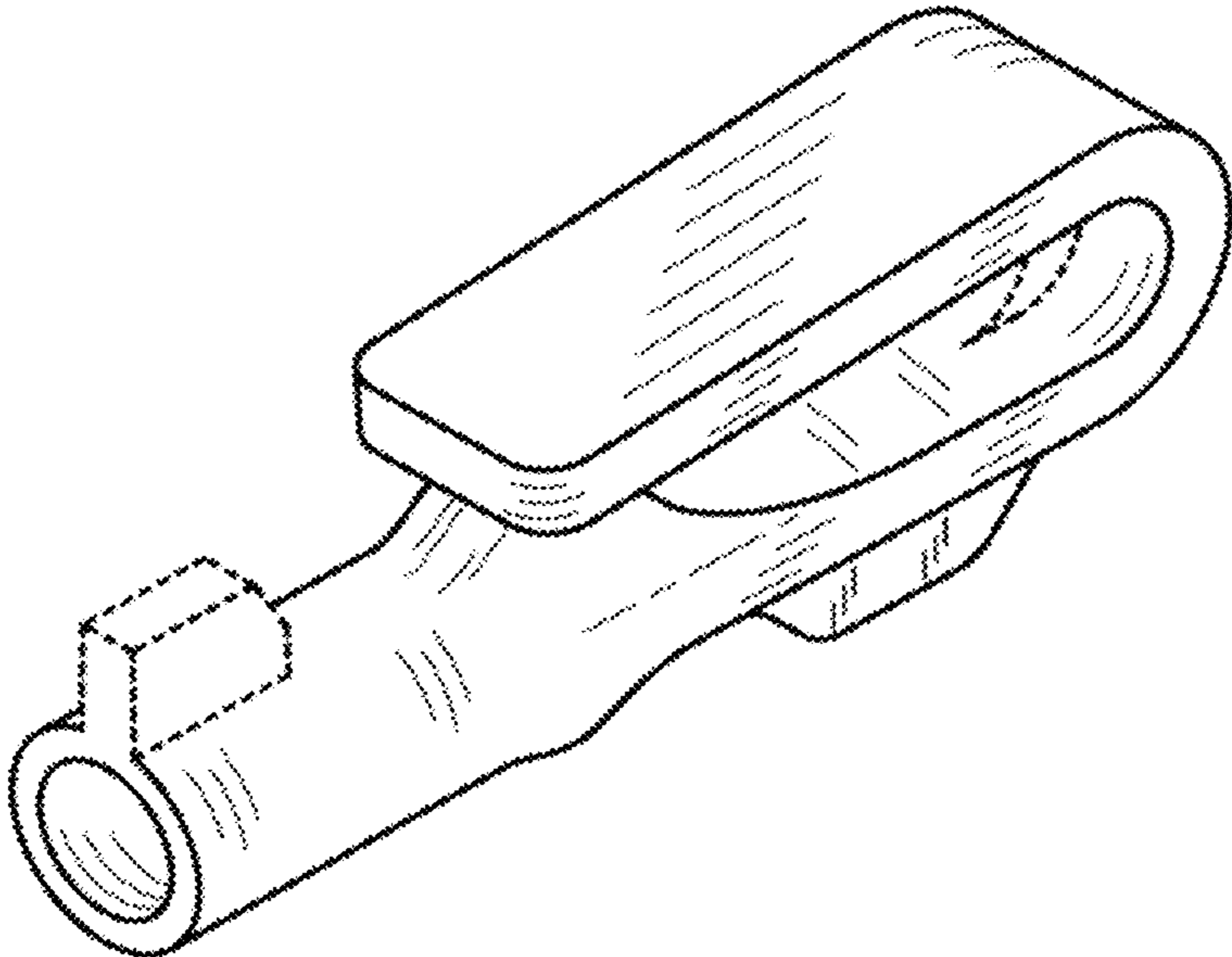


FIG. 2

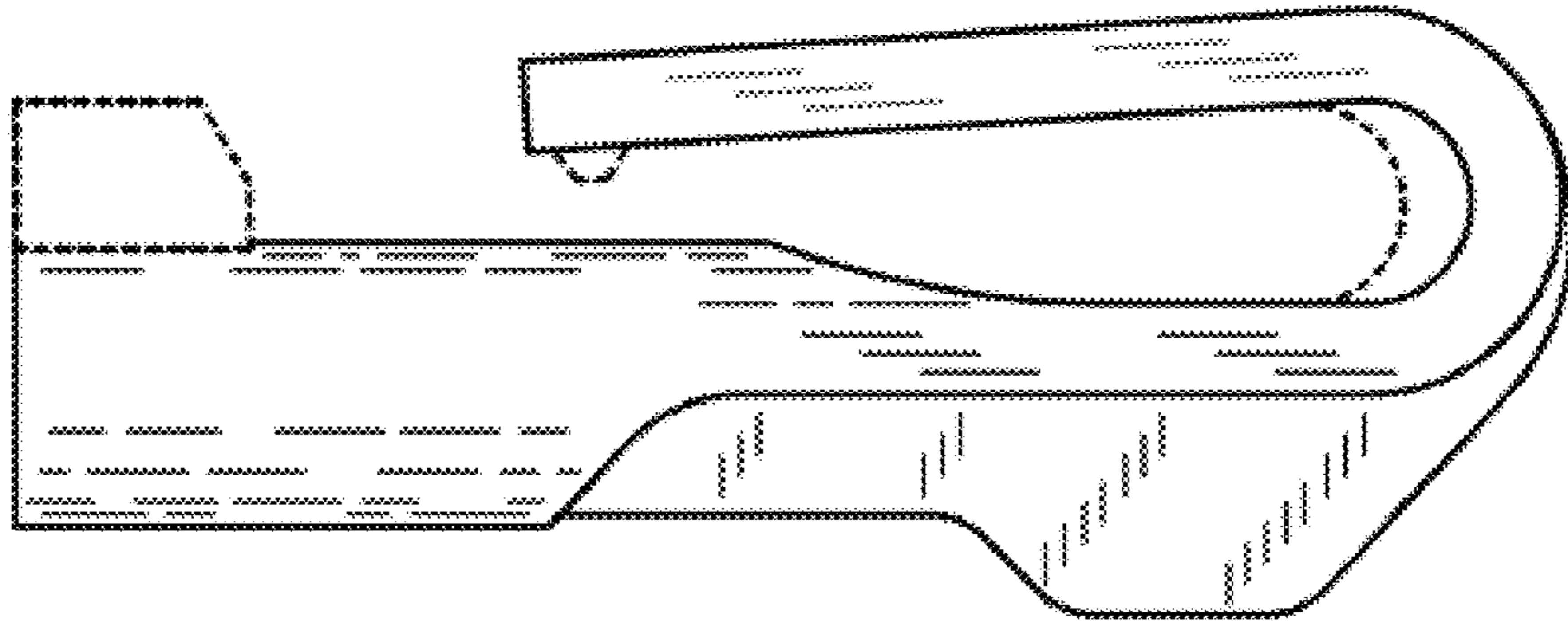


FIG. 3

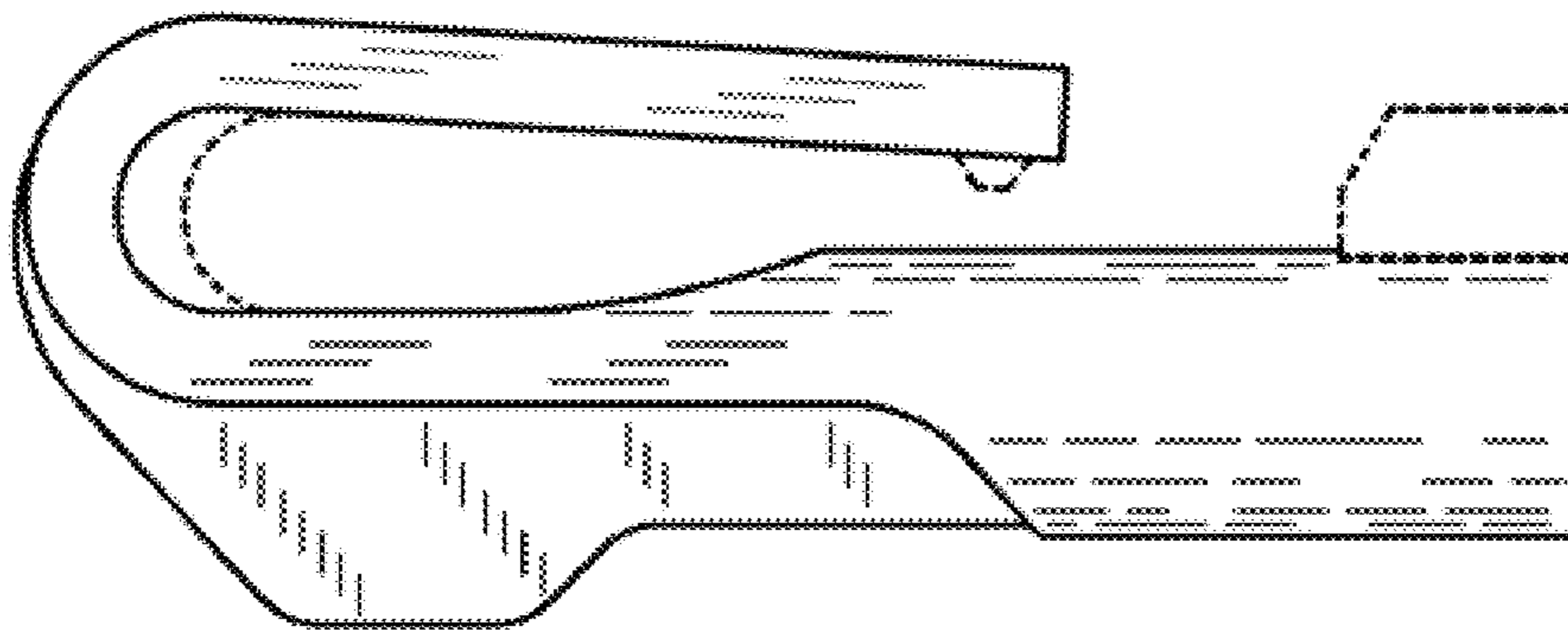


FIG. 4

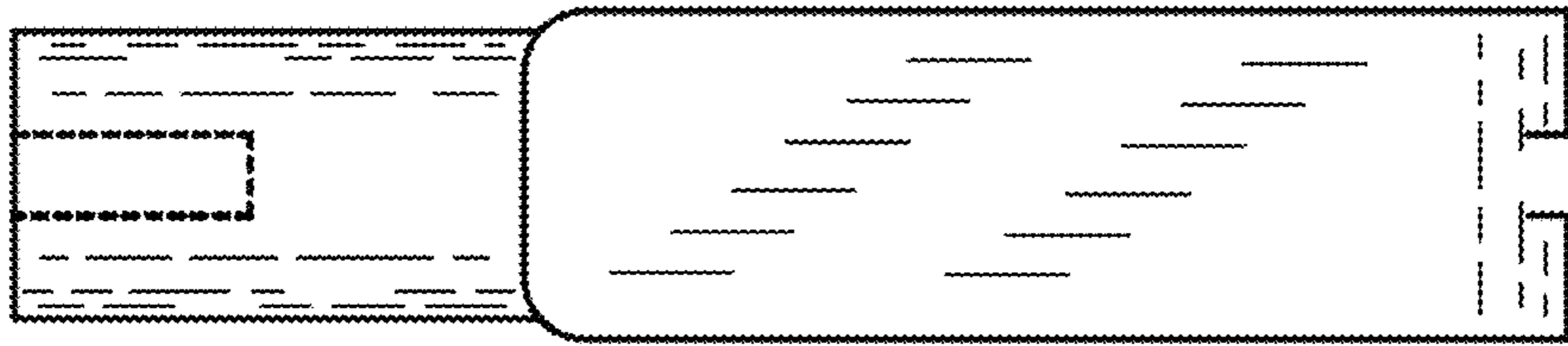


FIG. 5

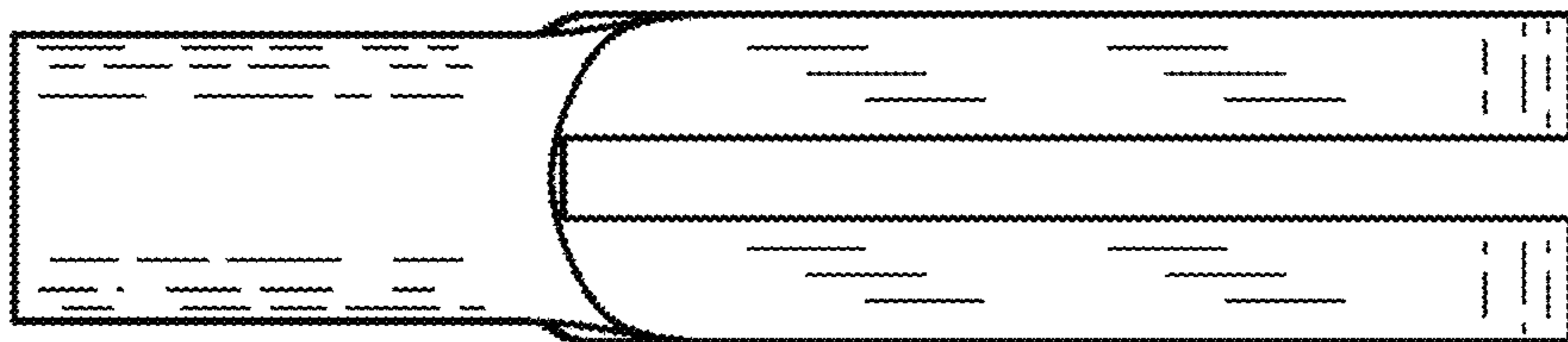


FIG. 6

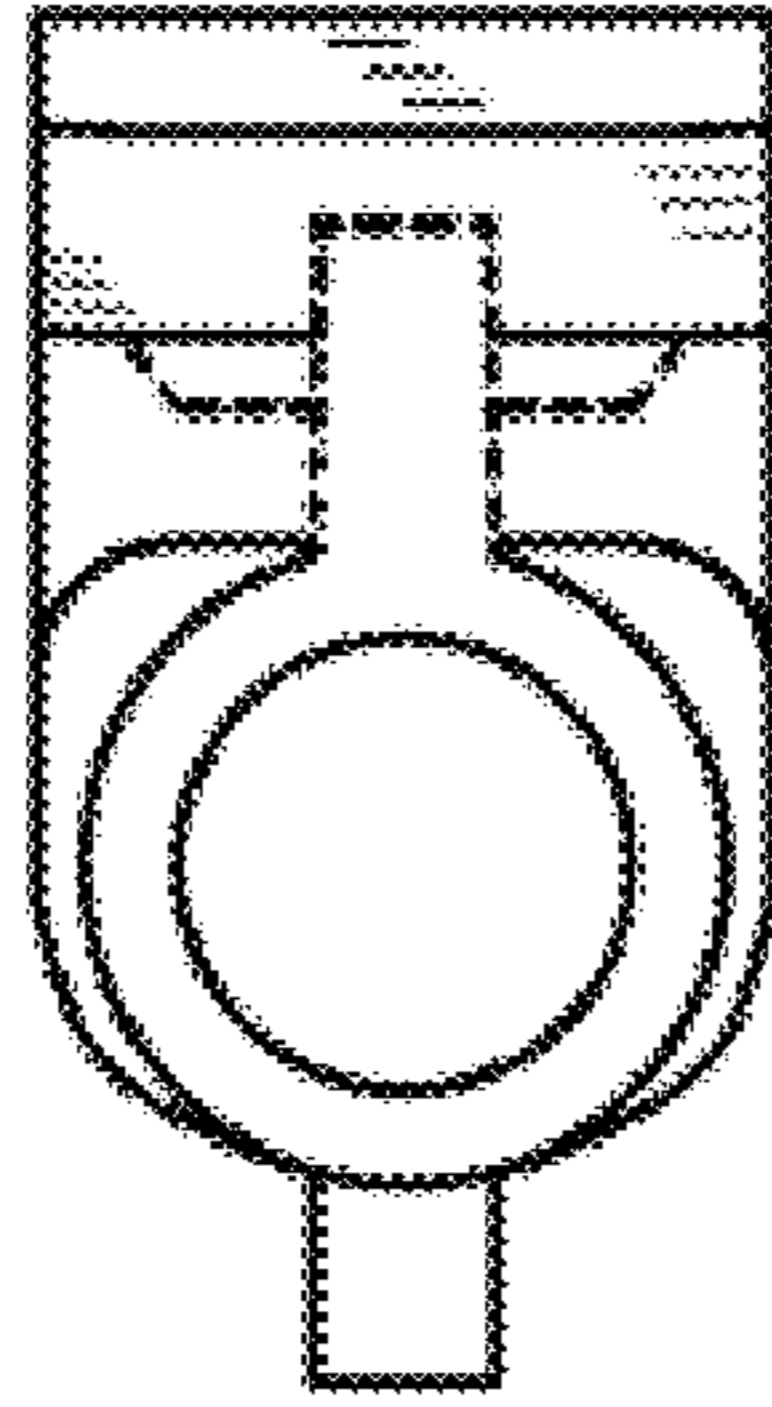


FIG. 7

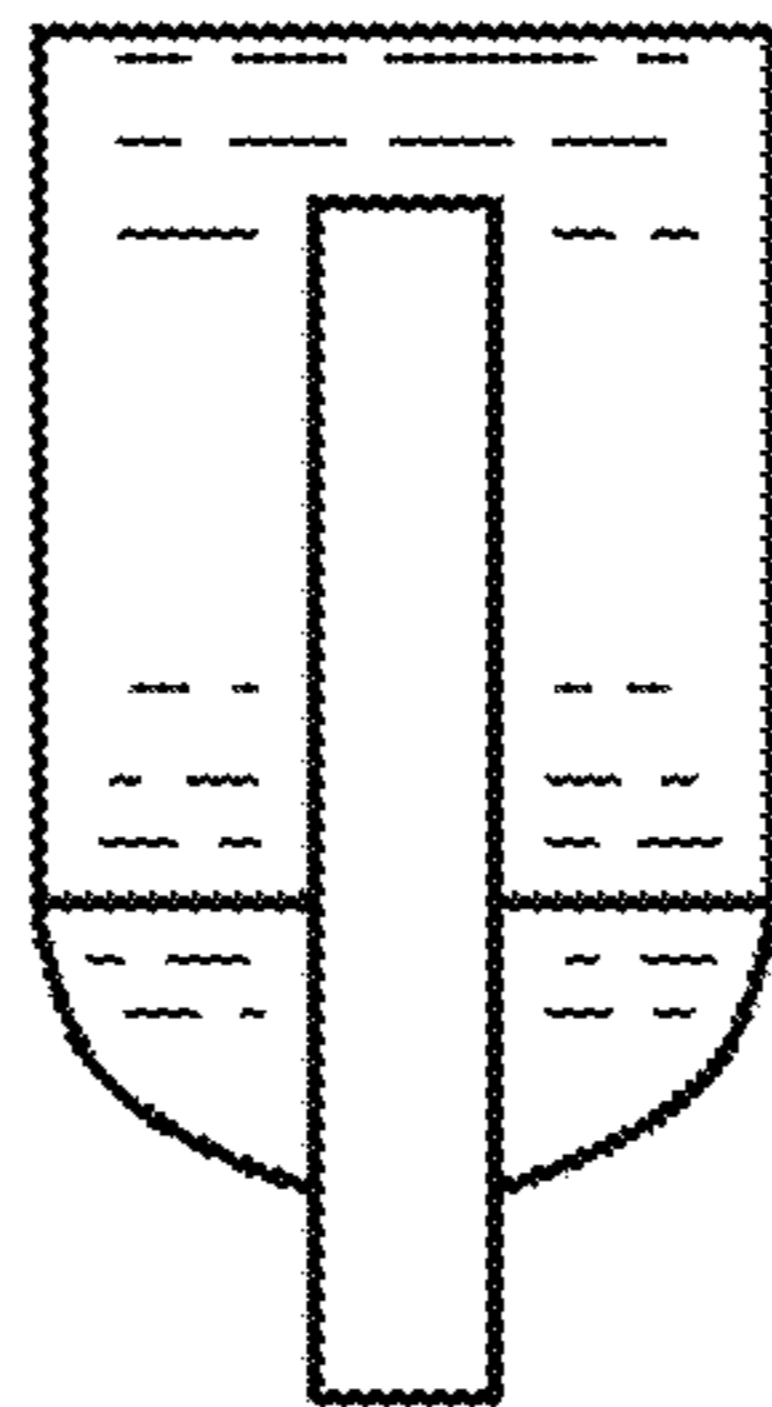


FIG. 8