



US00D758709S

(12) **United States Design Patent**
Youn

(10) **Patent No.:** **US D758,709 S**
(45) **Date of Patent:** **** Jun. 14, 2016**

(54) **NONSKID PAD FOR SHOES**
(71) Applicant: **SHIN DONG HAE**
INTERNATIONAL Co., LTD.,
Cheonan, Chungcheongnam-do (KR)
(72) Inventor: **Sung Hee Youn, Chungcheongnam-do**
(KR)
(73) Assignee: **Shin Dong Hae International Co., Ltd.,**
Cheonan, Chungcheongnam-do (KR)
(**) Term: **14 Years**
(21) Appl. No.: **29/510,244**
(22) Filed: **Nov. 26, 2014**

D247,692 S * 4/1978 Inohara D2/962
D257,908 S * 1/1981 Inohara D2/962
D259,297 S * 5/1981 Carey D2/962
D261,945 S * 11/1981 Carey D2/962
D399,342 S * 10/1998 Carlson D2/951
D476,798 S * 7/2003 Reynolds et al. D2/951
D576,397 S * 9/2008 Couder D2/962
D612,140 S * 3/2010 Moon D2/962
D612,141 S * 3/2010 Moon D2/962
D622,042 S * 8/2010 Moon D2/953
D622,946 S * 9/2010 Moon D2/957
D622,947 S * 9/2010 Moon D2/957
D625,092 S * 10/2010 Moon D2/957
D634,528 S * 3/2011 Oldenburg D2/962
D635,752 S * 4/2011 Shea D2/946
D653,438 S * 2/2012 Moon D2/957
D659,970 S * 5/2012 Liao D2/962
D664,755 S * 8/2012 Gavrieli et al. D2/962
D675,005 S * 1/2013 Minami D2/962

(Continued)

(30) **Foreign Application Priority Data**
Oct. 17, 2014 (KR) 30-2014-0050011
(51) **LOC (10) Cl.** **02-04**
(52) **U.S. Cl.**
USPC **D2/962**
(58) **Field of Classification Search**
USPC D2/896, 906, 908, 946, 951, 962, 976,
D2/968; 36/83, 88, 92, 71, 59 R, 61, 62, 64,
36/65, 66, 67 R, 67 A, 67 B, 67 C, 67 D,
36/59 A, 59 B, 59 C
CPC A43C 15/00; A43C 15/005; A43C 15/02;
A43C 15/04; A43C 15/10; A43C 13/00;
A43C 13/02; A43C 13/04; A43C 13/06;
A43C 13/08; A43C 13/10; A43C 13/12
See application file for complete search history.

Primary Examiner — Elizabeth J Oswecki
(74) *Attorney, Agent, or Firm* — Mintz Levin Cohn Ferris
Glovsky and Popeo, P.C.; Kongsik Kim; Carolina Säve

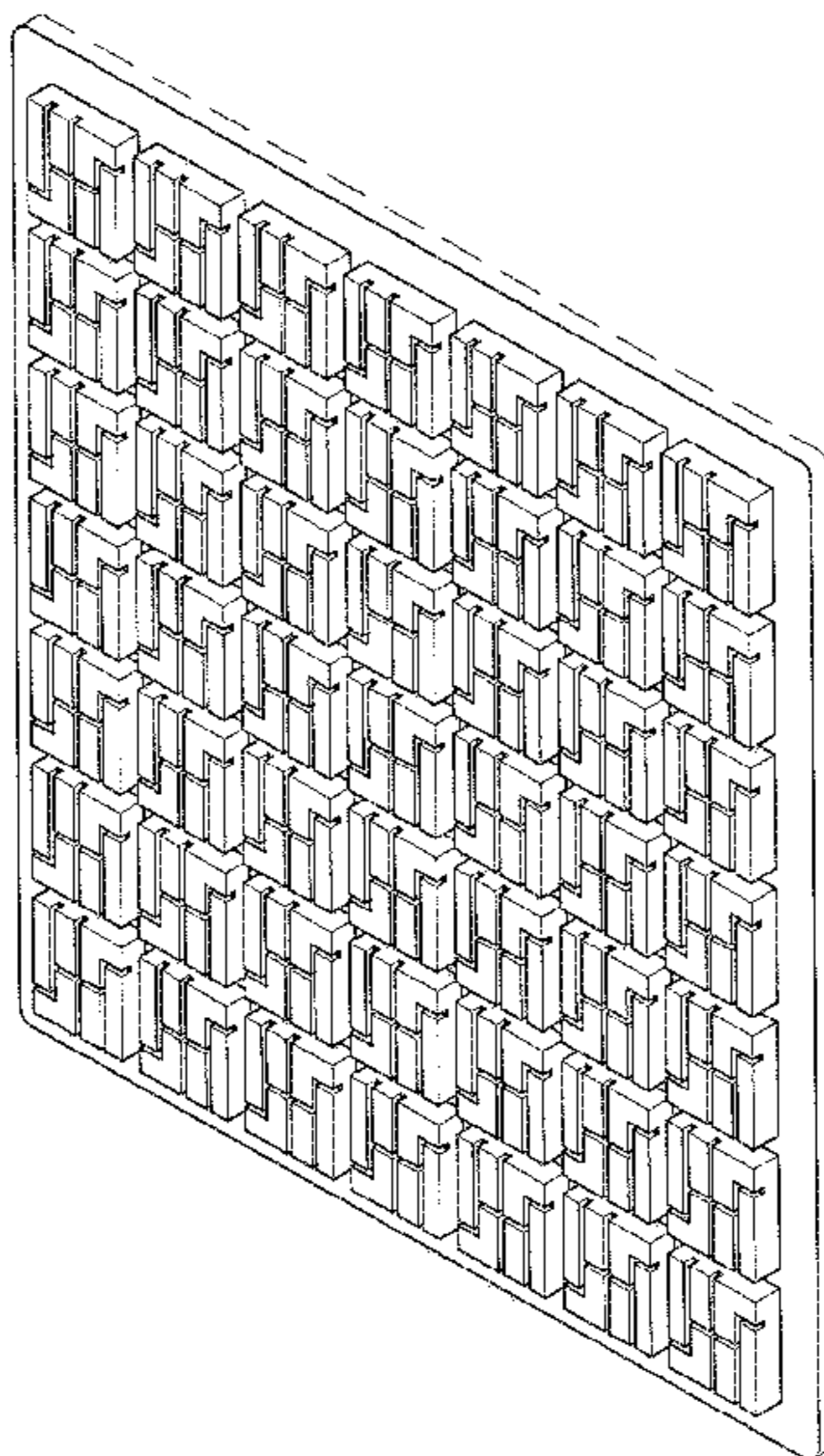
(57) **CLAIM**
The ornamental design for a nonskid pad for shoes, as shown
and described.

DESCRIPTION

FIG. 1 is a perspective view of a nonskid pad for shoes
showing my new design;
FIG. 2 is a front view thereof;
FIG. 3 is a rear view thereof;
FIG. 4 is a left side view thereof;
FIG. 5 is a right side view thereof;
FIG. 6 is a top view thereof;
FIG. 7 is a bottom view thereof; and,
FIG. 8 is another perspective view of the nonskid pad of FIG.
1, shown in a used condition on a shoe sole.

(56) **References Cited**
U.S. PATENT DOCUMENTS
354,693 A * 12/1886 Dick 36/3 B
1,305,812 A * 6/1919 Lambert 36/15

1 Claim, 8 Drawing Sheets



(56)

References Cited

U.S. PATENT DOCUMENTS

D675,415 S * 2/2013 Minami D2/962
D695,507 S * 12/2013 Hillis D2/962
D697,297 S * 1/2014 McClaskie D2/953
D704,424 S * 5/2014 Martin D2/958
D707,935 S * 7/2014 Williams, Jr. D2/959

D711,085 S * 8/2014 da Costa Pereira
Machado D2/960
D716,027 S * 10/2014 Kirschner D2/959
D723,777 S * 3/2015 Cin D2/958
D727,610 S * 4/2015 Francis et al. D2/958
2006/0272252 A1 * 12/2006 Moller, Jr. 52/384
2009/0307932 A1 * 12/2009 Kirby et al. 36/134

* cited by examiner

FIG. 1

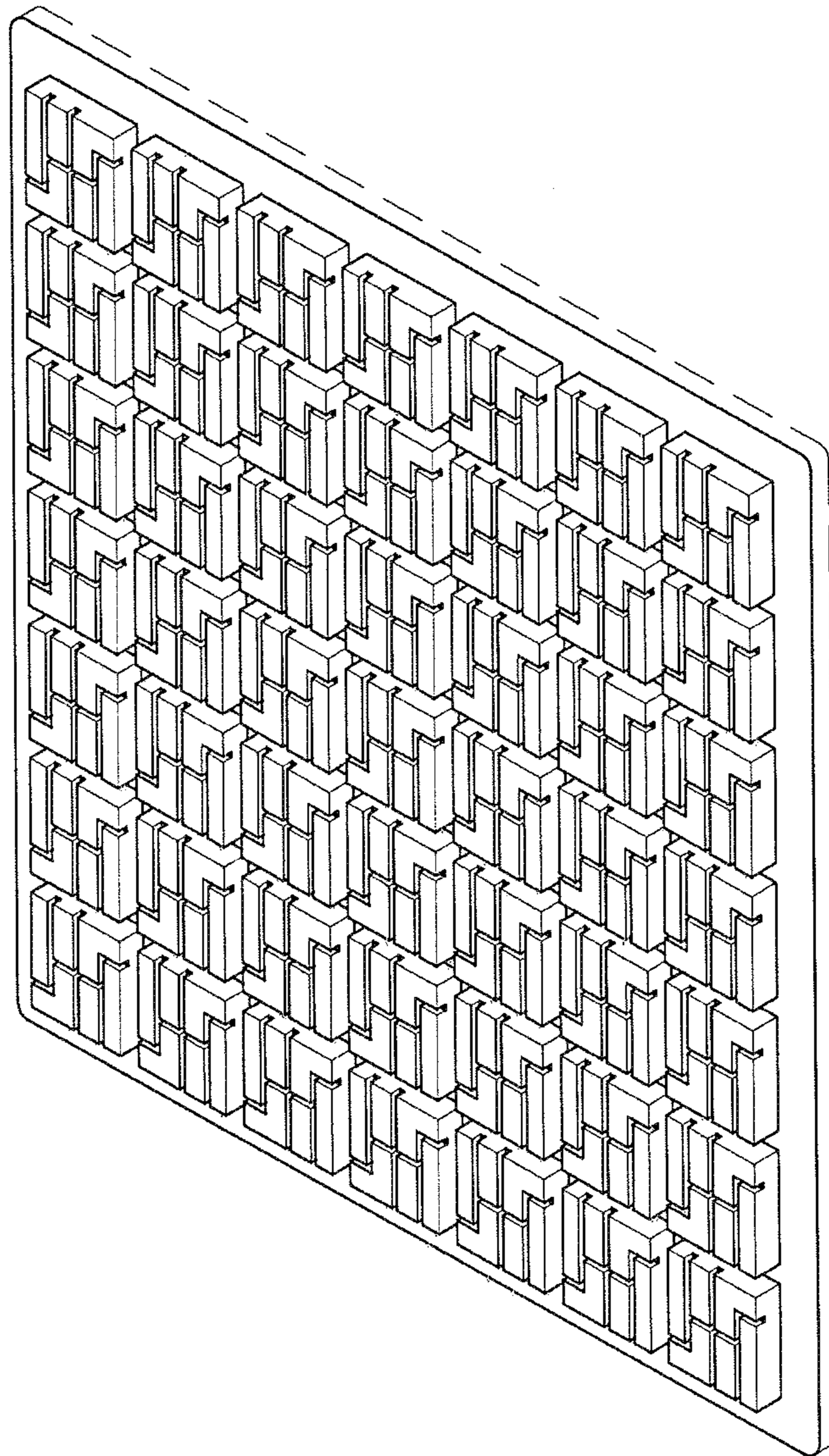


FIG. 2

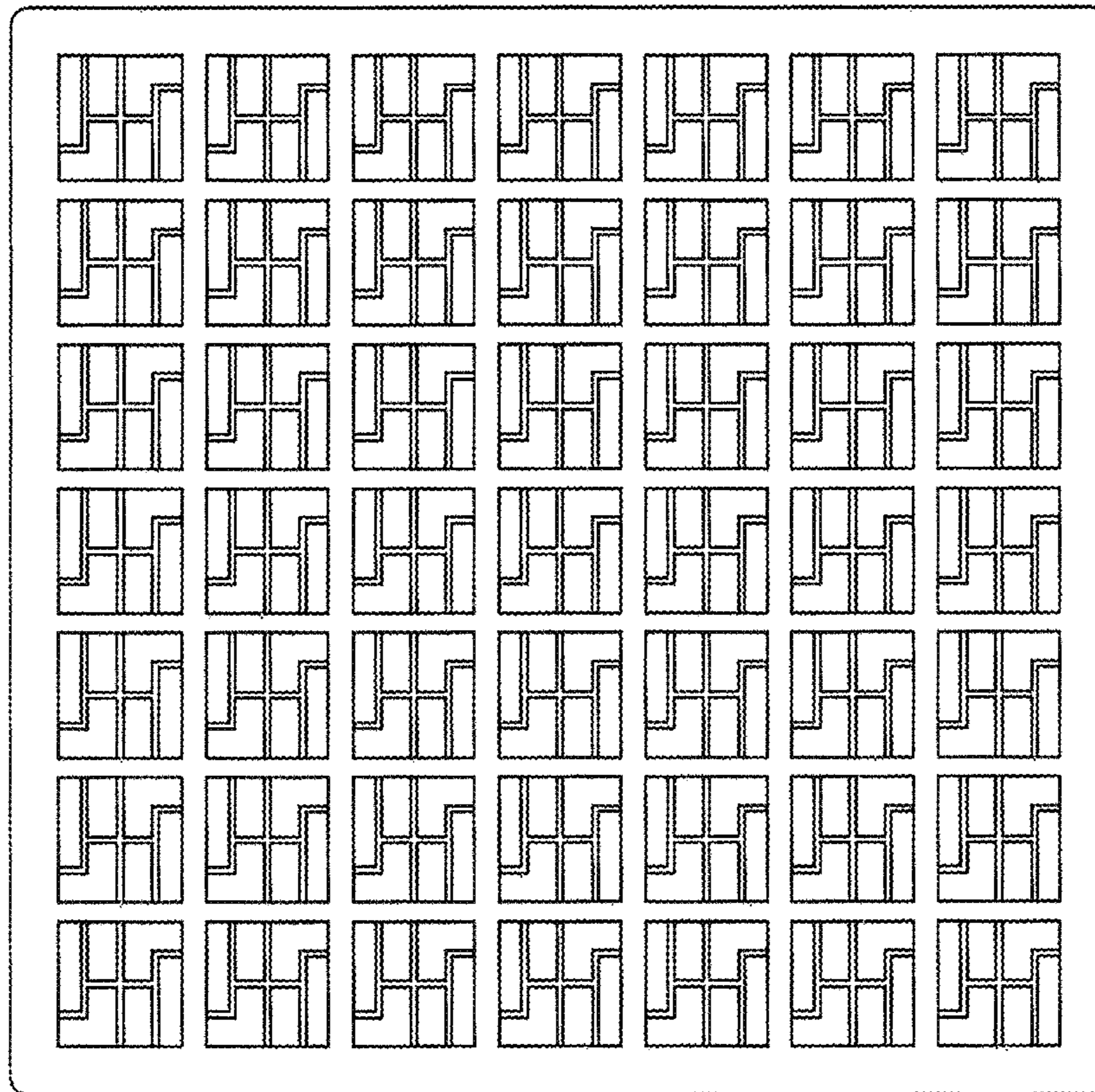


FIG. 3

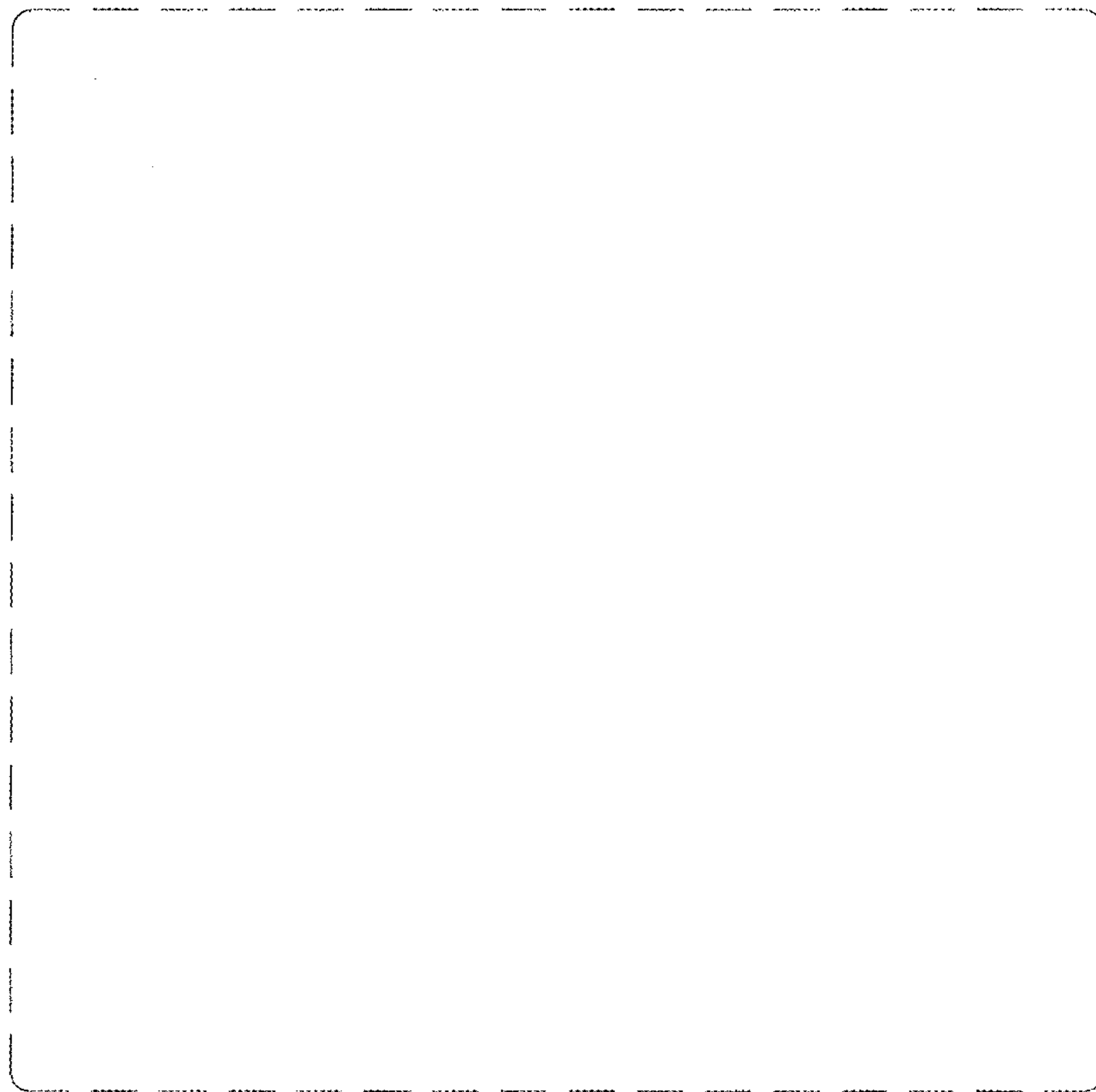


FIG. 4

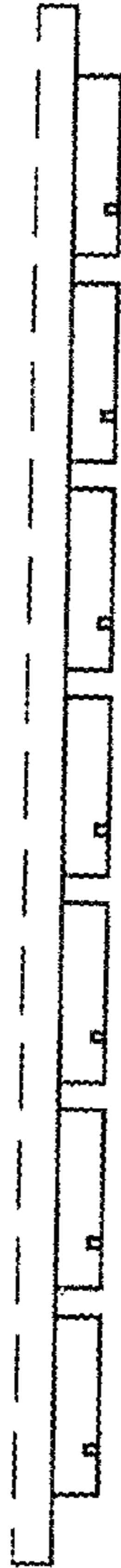


FIG. 5



FIG. 6

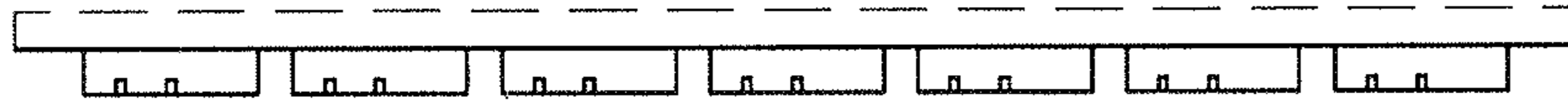


FIG. 7

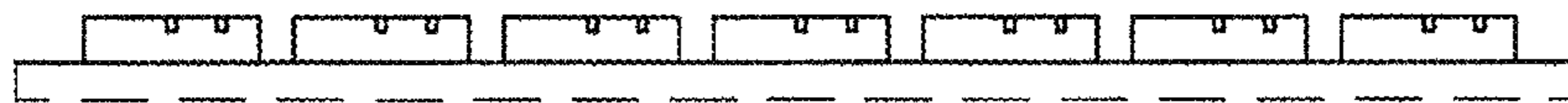


FIG. 8

