



US00D758708S

(12) **United States Design Patent**  
**Wawrousek**

(10) **Patent No.:** **US D758,708 S**  
(45) **Date of Patent:** **\*\* Jun. 14, 2016**

- (54) **SHOE SOLE**
- (71) Applicant: **New Balance Athletic Shoe, Inc.**,  
Boston, MA (US)
- (72) Inventor: **Chris Wawrousek**, Somerville, MA  
(US)
- (73) Assignee: **New Balance Athletics, Inc.**, Boston,  
MA (US)
- (\*\*) Term: **14 Years**
- (21) Appl. No.: **29/481,641**
- (22) Filed: **Feb. 7, 2014**
- (51) **LOC (10) Cl.** ..... **02-04**
- (52) **U.S. Cl.**  
USPC ..... **D2/947; D2/958**
- (58) **Field of Classification Search**  
USPC ..... D2/902, 906, 908, 916, 918, 925,  
D2/946-962, 977; 36/3 B, 22 R, 24.5, 25 R,  
36/28, 32 R, 34 R, 59 C, 67 A, 103  
CPC ..... A43B 13/00; A43B 13/02; A43B 13/023;  
A43B 13/026; A43B 13/04; A43B 13/08;  
A43B 13/10; A43B 13/12; A43B 13/14;  
A43B 13/141; A43B 13/143; A43B 13/16;  
A43B 13/18; A43B 13/181; A43B 13/187;  
A43B 13/189; A43B 13/20; A43B 13/22;  
A43B 13/223; A43B 13/24; A43B 13/28;  
A43B 13/30; A43B 13/32; A43B 13/34;  
A43B 13/36  
See application file for complete search history.

(56) **References Cited**  
U.S. PATENT DOCUMENTS

4,180,923 A	1/1980	Dassler
4,235,026 A	11/1980	Plagenhoef
4,283,865 A	8/1981	Dassler
D271,251 S	11/1983	Norton

4,445,286 A	5/1984	Norton	
4,535,553 A	8/1985	Derderian et al.	
4,774,774 A *	10/1988	Allen, Jr.	36/28
D317,225 S *	6/1991	Austin	D2/958
5,084,987 A	2/1992	Flemming	

(Continued)

**OTHER PUBLICATIONS**

International Search Report and Written Opinion for International Application No. PCT/US2015/015572 mailed Jun. 10, 2015, 16 pages.

*Primary Examiner* — T. Chase Nelson

(74) *Attorney, Agent, or Firm* — Goodwin Procter LLP

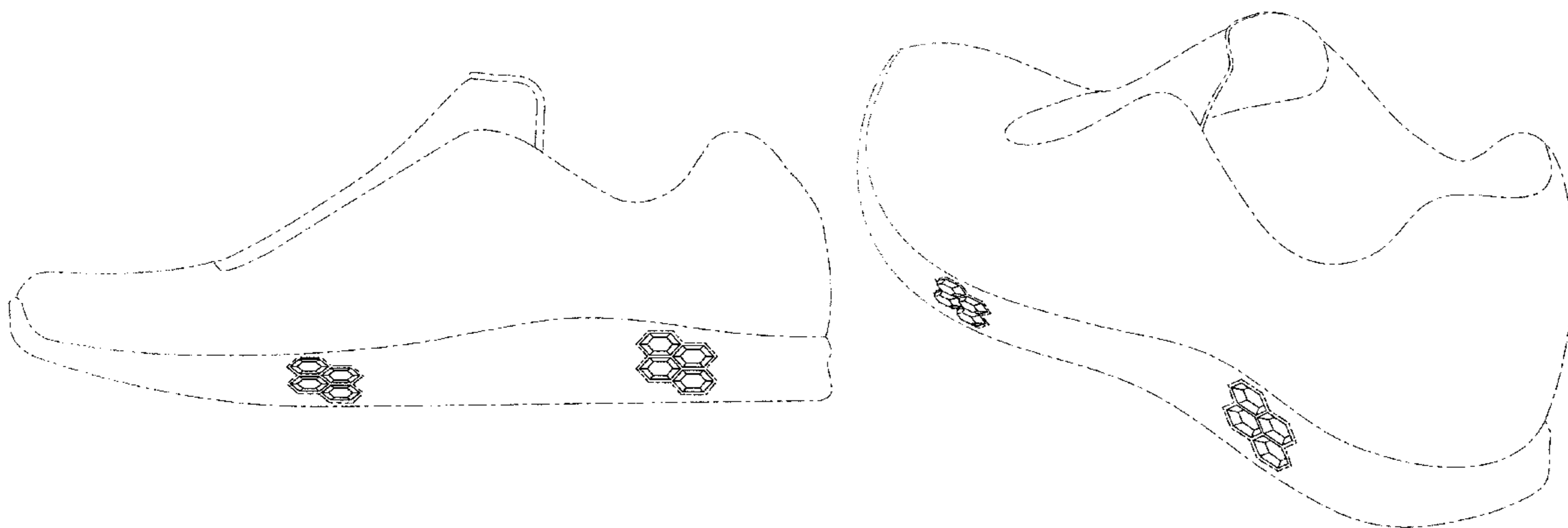
(57) **CLAIM**

The ornamental design for a shoe sole, as shown and described.

**DESCRIPTION**

FIG. 1 is a lateral side view of a shoe sole;  
 FIG. 2 is a first perspective view of the shoe sole;  
 FIG. 3 is a second perspective view of the shoe sole;  
 FIG. 4 is a lateral side view of a first element of the shoe sole;  
 FIG. 5 is a first perspective view of the first element of the shoe sole;  
 FIG. 6 is a second perspective view of the first element of the shoe sole;  
 FIG. 7 is a top view of a second element of the shoe sole;  
 FIG. 8 is a lateral side view of the second element of the shoe sole;  
 FIG. 9 is a first perspective view of the second element of the shoe sole; and,  
 FIG. 10 is a second perspective view of the second element of the shoe sole.  
 The broken lines depict environmental structure that is included for illustrative purposes only and forms no part of the claimed design.

**1 Claim, 5 Drawing Sheets**



(56)

References Cited

U.S. PATENT DOCUMENTS

5,134,790	A	8/1992	Woitschaetzke et al.	
5,152,081	A	10/1992	Hallenbeck et al.	
5,174,049	A	12/1992	Flemming	
5,197,206	A	3/1993	Shorten	
5,197,207	A	3/1993	Shorten	
5,201,125	A	4/1993	Shorten	
5,279,051	A	1/1994	Whatley	
5,353,526	A	10/1994	Foley et al.	
5,381,607	A	1/1995	Sussmann	
D470,999	S *	3/2003	Schroeder et al. ....	D2/957
6,705,027	B1	3/2004	Campbell	
D499,878	S *	12/2004	Rask .....	D2/977
6,920,705	B2	7/2005	Lucas et al.	
7,096,603	B2	8/2006	Fusco	
7,153,560	B2	12/2006	Hofmann	
D569,594	S *	5/2008	Horne et al. ....	D2/958
7,475,497	B2	1/2009	Hoffer et al.	
7,571,556	B2	8/2009	Hardy et al.	
7,774,954	B2	8/2010	Hoffer et al.	
7,797,856	B2 *	9/2010	Andrews et al. ....	36/30 R
D686,405	S *	7/2013	Little .....	D2/958
8,631,590	B2 *	1/2014	Droege et al. ....	36/103
D702,428	S *	4/2014	Hlavacs .....	D2/958
D702,429	S *	4/2014	Earle .....	D2/958
D704,424	S *	5/2014	Martin .....	D2/958
8,732,982	B2	5/2014	Sullivan et al.	
8,745,897	B2 *	6/2014	Wojnar et al. ....	36/59 R
D708,830	S *	7/2014	Williams, Jr. ....	D2/958
D712,125	S *	9/2014	Thornby et al. ....	D2/958
D713,629	S *	9/2014	Petrie .....	D2/958
D727,610	S *	4/2015	Francis et al. ....	D2/958
2005/0155255	A1	7/2005	Wilson et al.	
2005/0252037	A1 *	11/2005	Hofmann .....	36/28
2007/0033833	A1	2/2007	Chang et al.	
2007/0119076	A1	5/2007	Brewer et al.	
2008/0250673	A1 *	10/2008	Andrews et al. ....	36/25 R
2009/0300945	A1 *	12/2009	Droege et al. ....	36/103
2010/0281711	A1 *	11/2010	Vestuti et al. ....	36/28
2011/0192054	A1 *	8/2011	Wojnar et al. ....	36/103
2011/0247243	A1 *	10/2011	Eder et al. ....	36/67 A
2013/0276333	A1 *	10/2013	Wawrousek et al. ....	36/102
2014/0173943	A1 *	6/2014	Droege et al. ....	36/114
2015/0128452	A1 *	5/2015	Hull et al. ....	A43B 13/14

\* cited by examiner

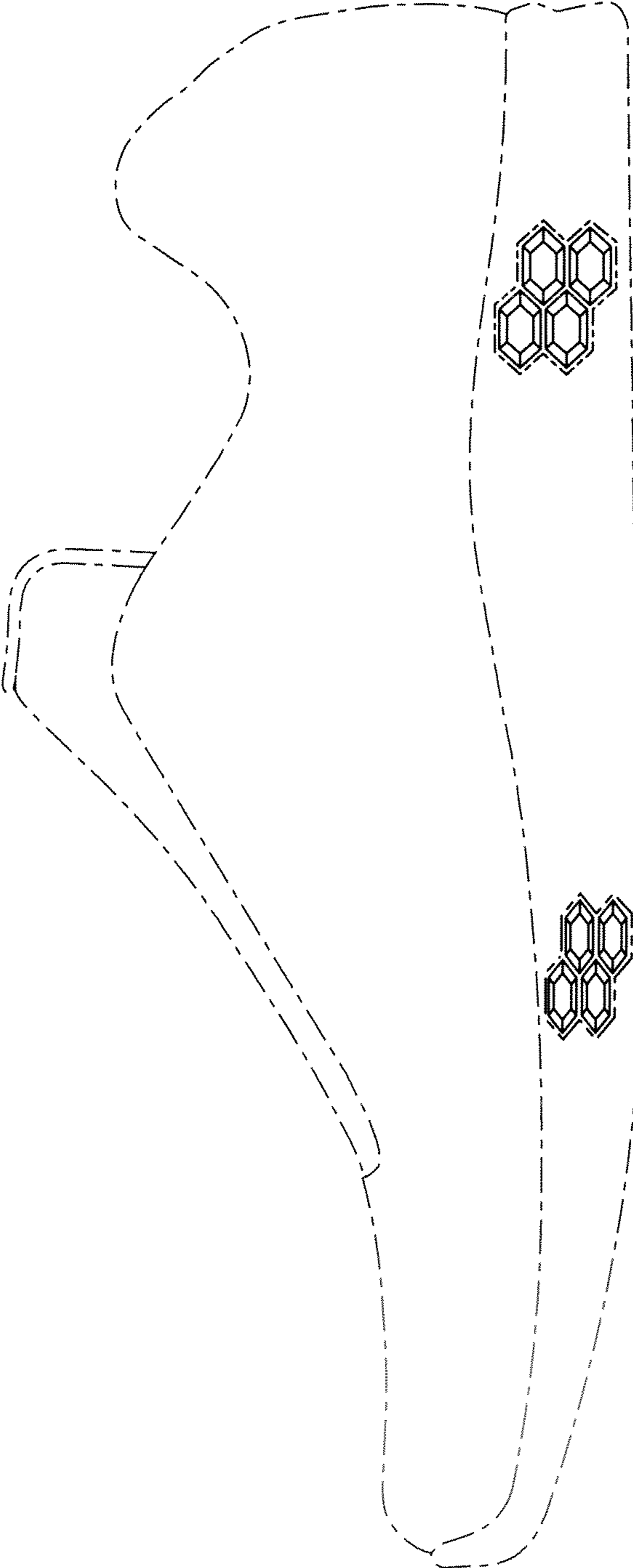


FIG. 1

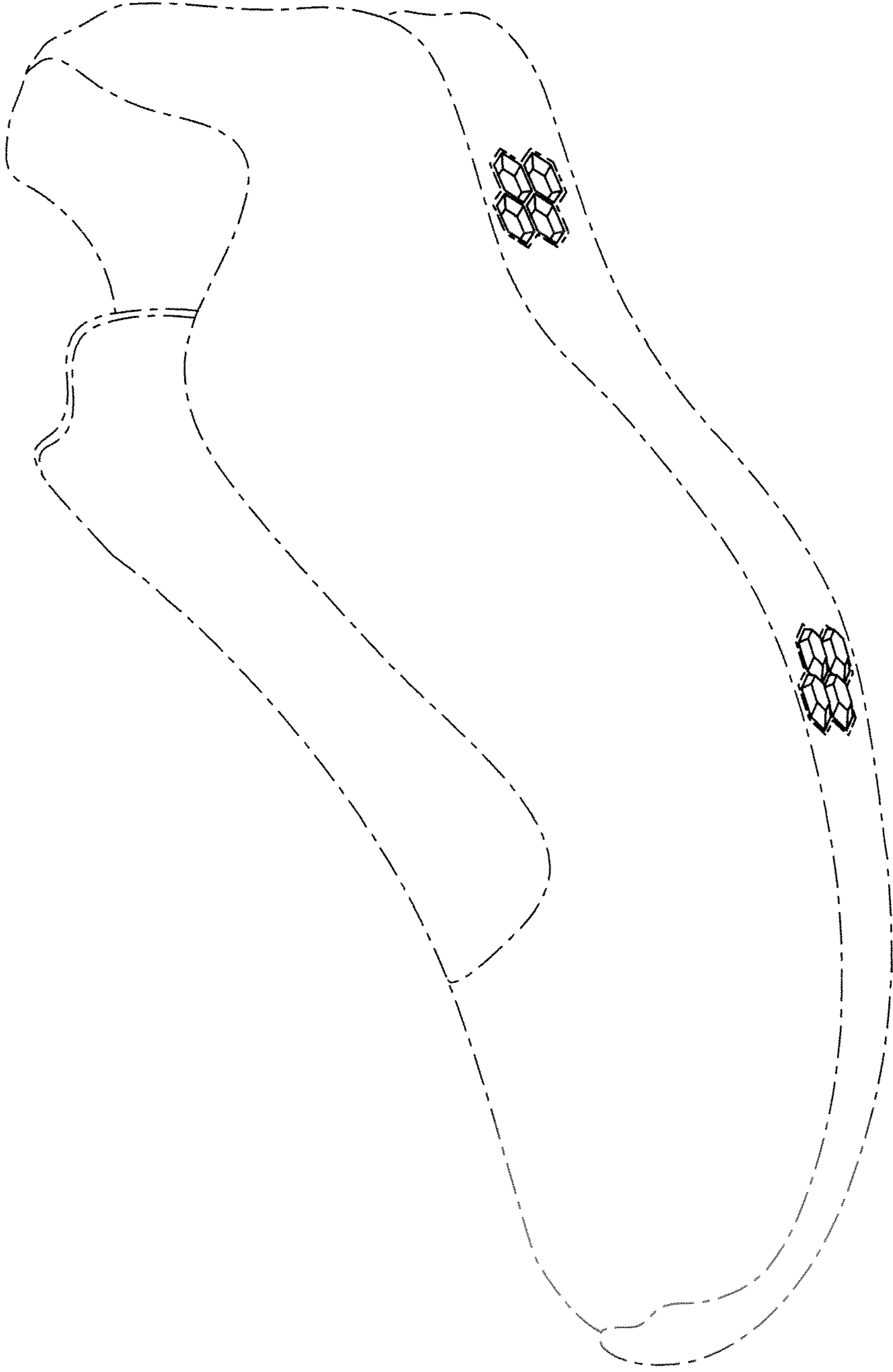


FIG. 2

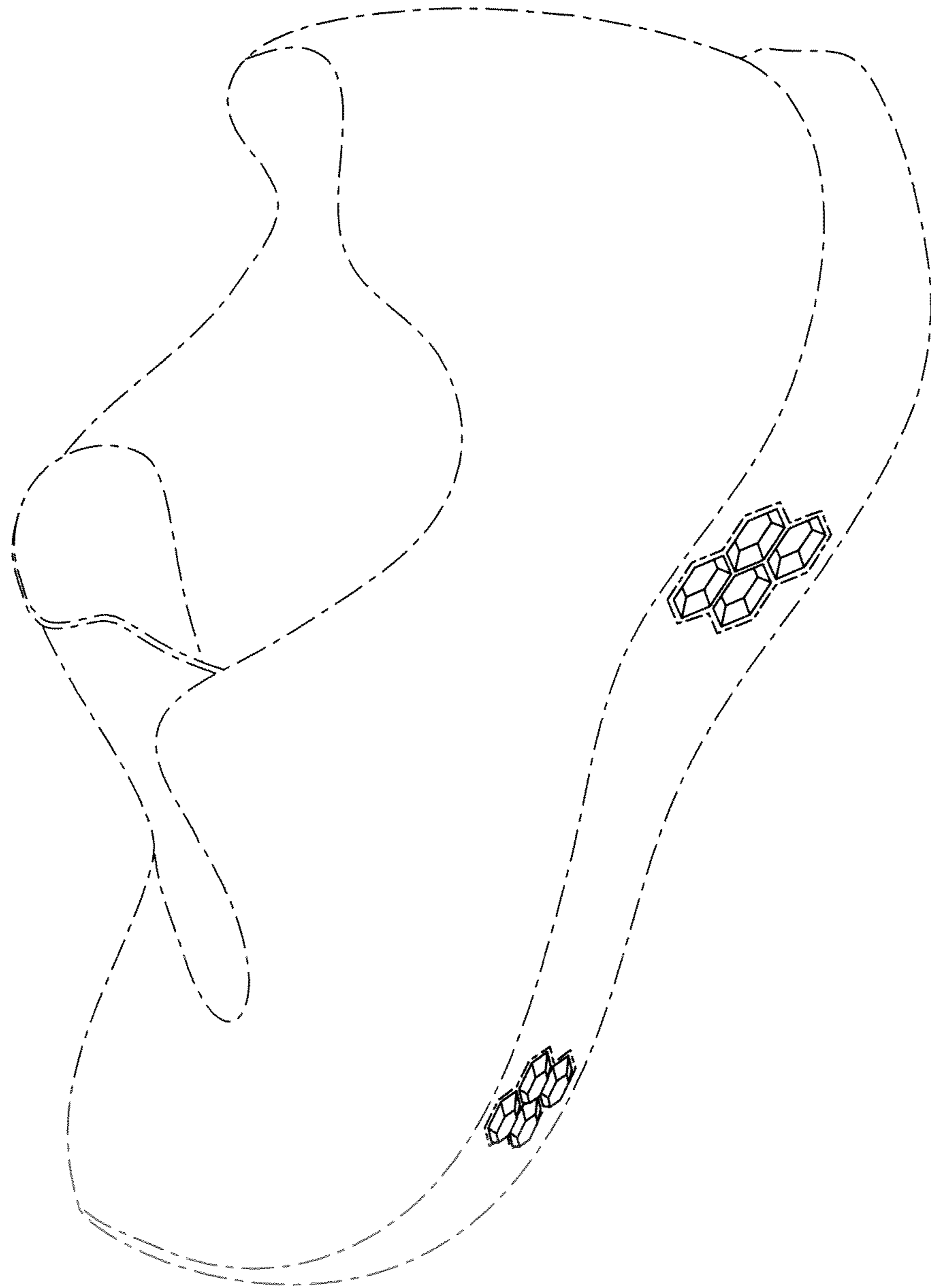


FIG. 3

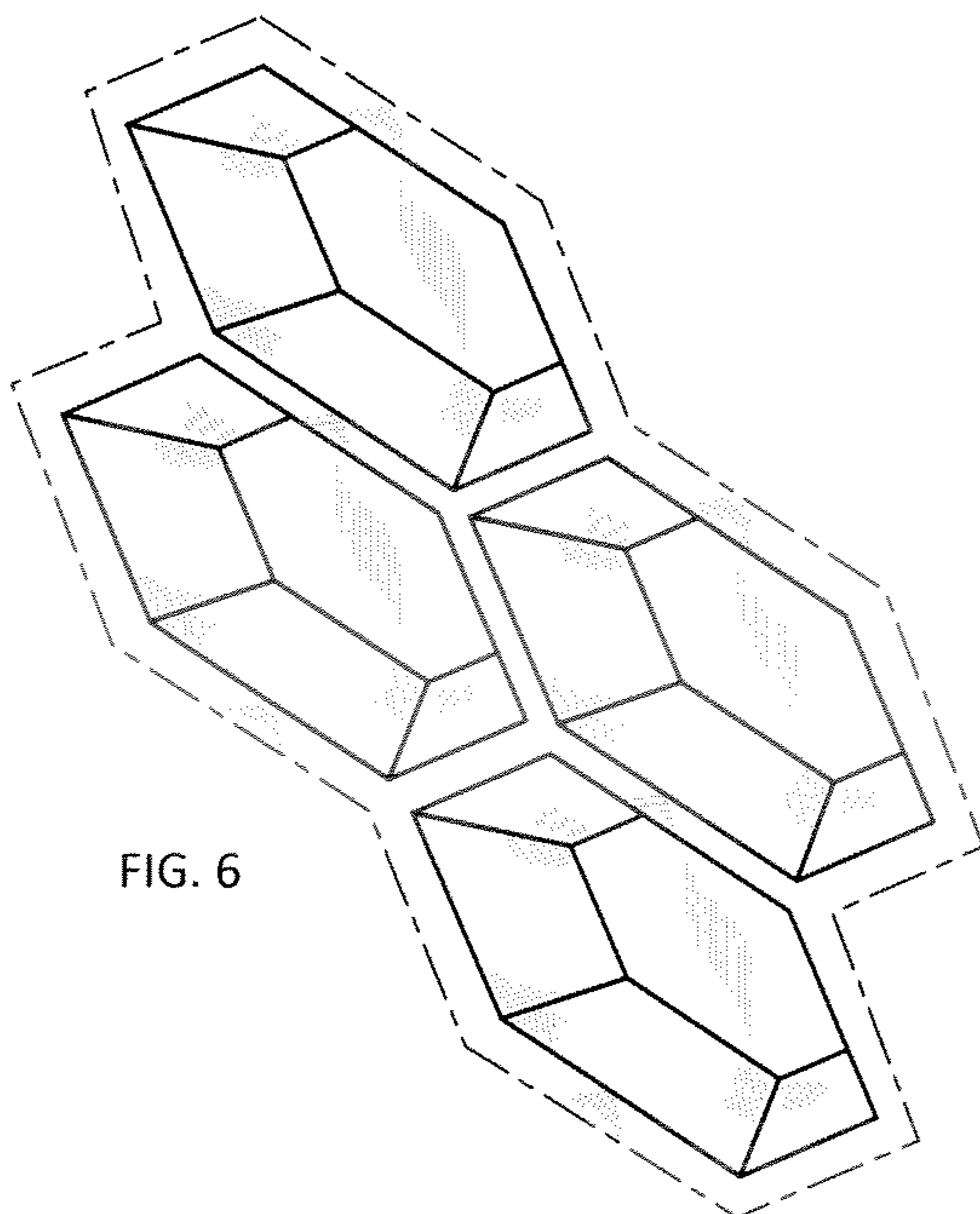
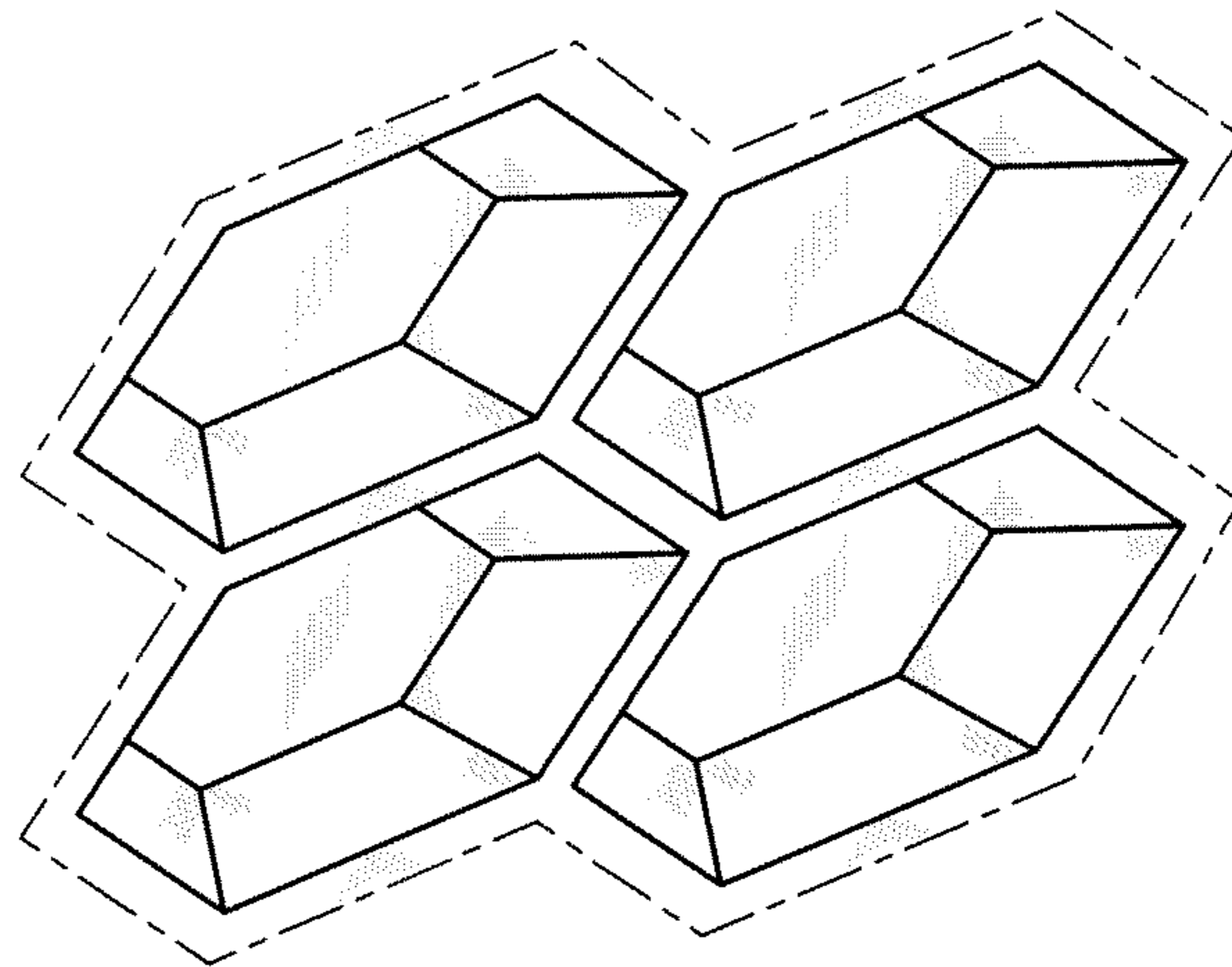
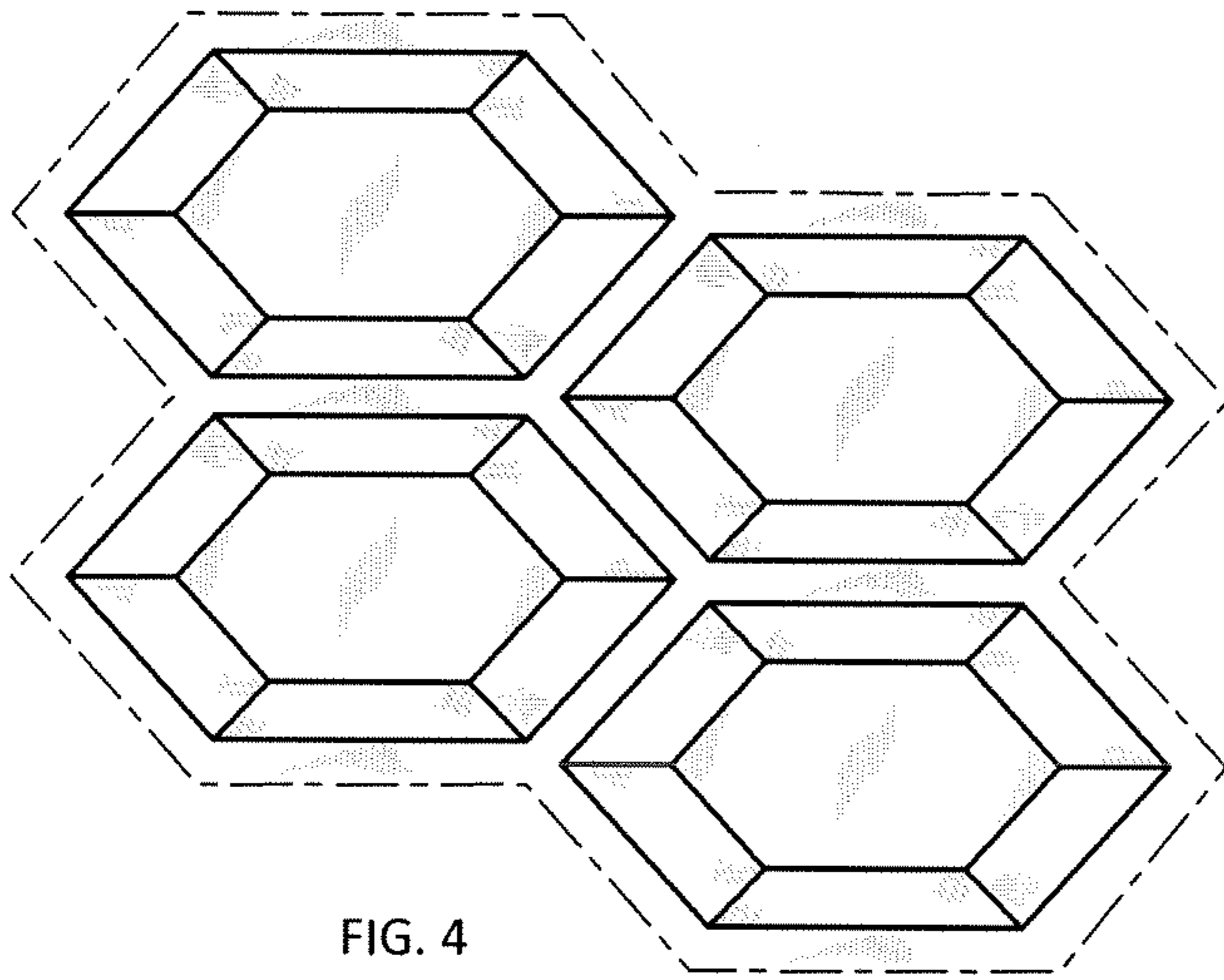




FIG. 7

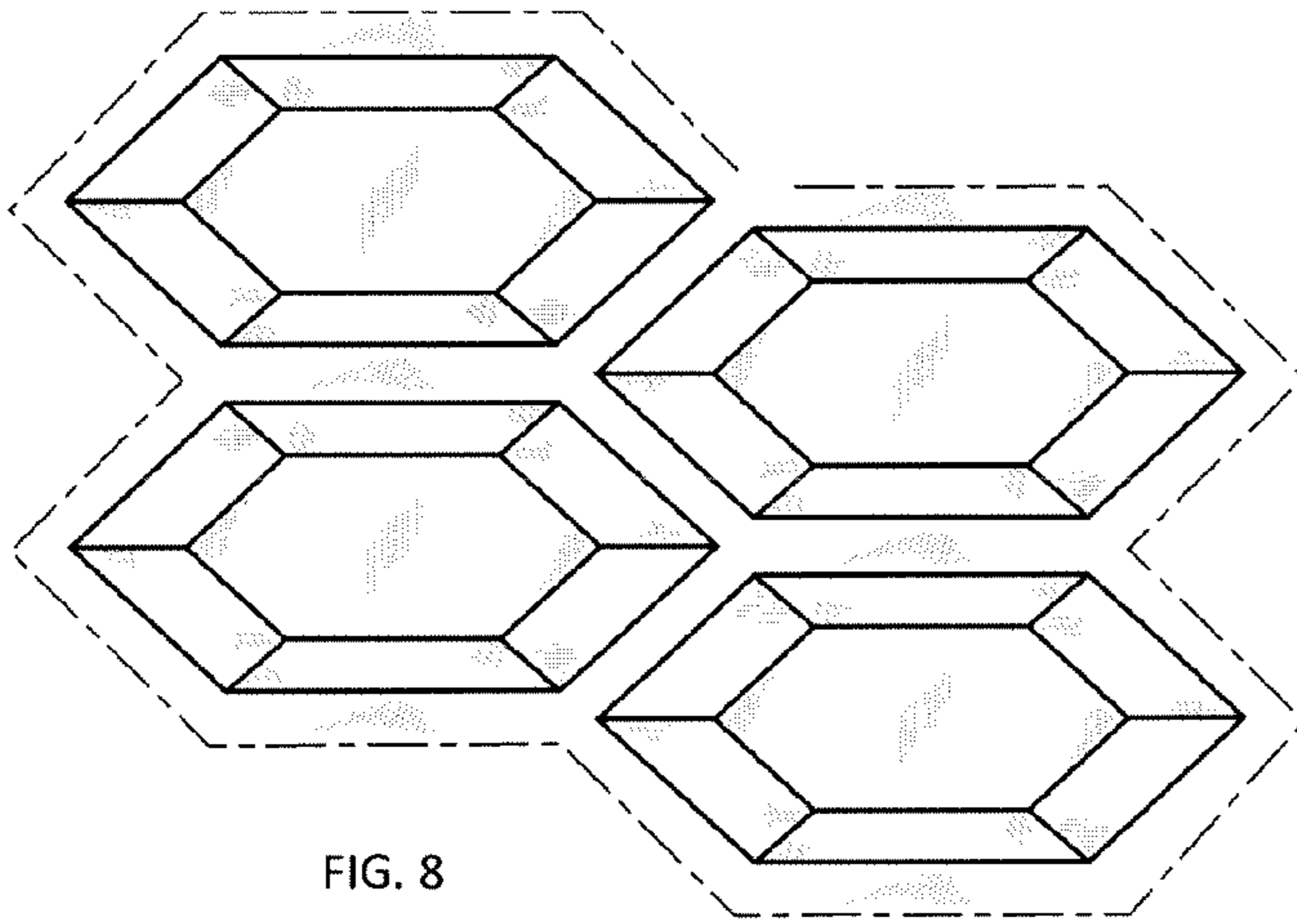


FIG. 8

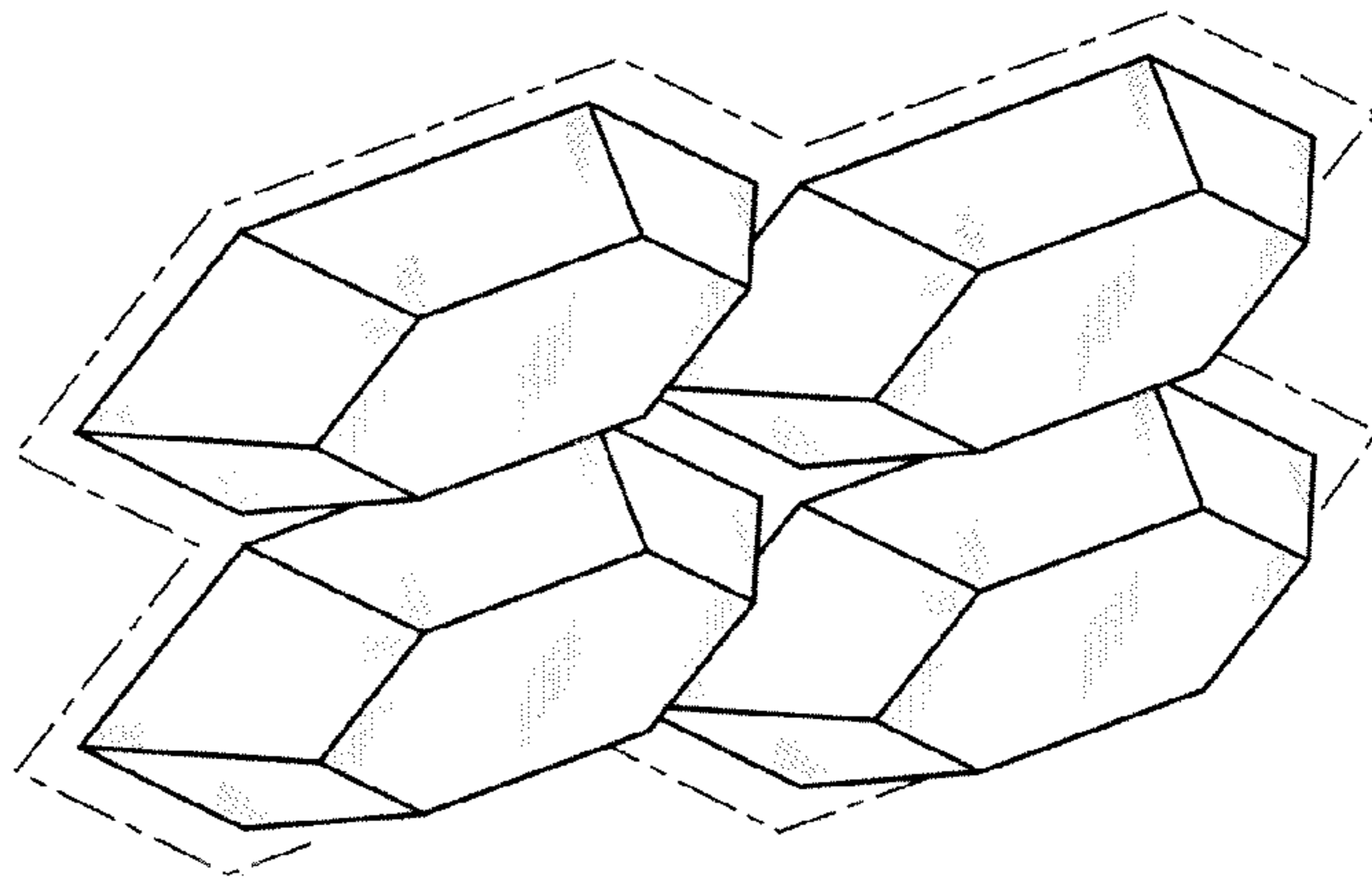


FIG. 9

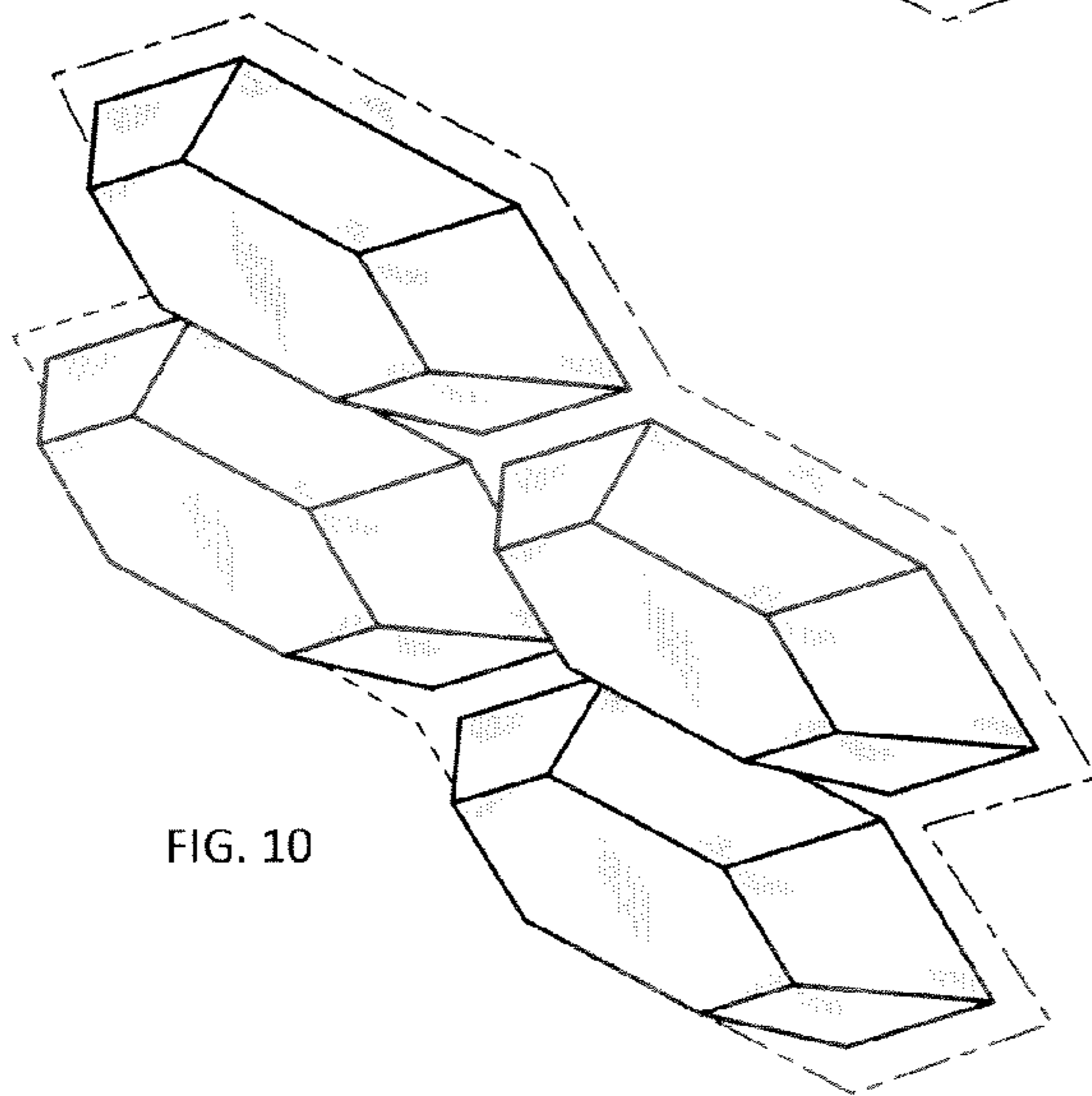


FIG. 10