



US00D758704S

(12) **United States Design Patent**
Cooney

(10) **Patent No.:** **US D758,704 S**
(45) **Date of Patent:** **** Jun. 14, 2016**

- (54) **HAT WITH EXTERIOR POCKETS**
- (71) Applicant: **Karen M. Cooney**, Holmdel, NJ (US)
- (72) Inventor: **Karen M. Cooney**, Holmdel, NJ (US)
- (**) Term: **14 Years**
- (21) Appl. No.: **29/503,835**
- (22) Filed: **Sep. 30, 2014**
- (51) **LOC (10) Cl.** **02-03**
- (52) **U.S. Cl.**
USPC **D2/882**
- (58) **Field of Classification Search**
USPC D2/865, 866, 869, 871, 872, 874, 875,
D2/876, 877, 881, 882, 884, 890, 891, 892,
D2/893, 867, 886, 888, 889, 978; 2/171.1,
2/171.4, 171.5, 175.4, 182.8, 183, 195.1,
2/195.4, 195.5, 195.6, 200.1, 209.12,
2/209.13, 209.3, 209.7, 175.3, 175.7,
2/195.3, 209.11, 209.4, 172, 175.9,
2/195.2, 181, 181.4
CPC A42B 1/004; A42B 1/006; A42B 1/02;
A42B 1/062; A42B 1/22; A42B 3/145;
A42B 1/225; A42B 1/24; A42B 1/241
See application file for complete search history.

(56) **References Cited**

U.S. PATENT DOCUMENTS

- 59,092 A * 10/1866 Strattmann A42B 1/006
2/175.1
- 138,681 A * 5/1873 Myers A42B 1/006
2/175.1
- 324,073 A * 8/1885 Baruch et al. A42B 1/24
2/195.7
- 361,717 A * 4/1887 Postman A42C 5/02
2/181
- 836,481 A * 11/1906 Brown A42B 3/044
2/195.5
- 1,011,868 A * 12/1911 Smith A42B 3/044
2/195.5
- 1,148,586 A * 8/1915 Henderson A42B 1/248
2/195.1

- 1,506,608 A * 8/1924 Bayer A42B 1/22
2/195.4
- 2,010,107 A * 8/1935 Probst A42B 1/22
2/171.5
- 2,057,915 A * 10/1936 Probst A42B 1/061
2/195.1
- 2,307,713 A * 1/1943 Sullivan A42B 1/061
2/195.5
- 2,676,325 A * 4/1954 Carlson A42B 1/066
2/172
- 3,506,979 A * 4/1970 Everitt A42B 1/066
2/172
- D300,080 S * 3/1989 Wyatt D2/866
- 4,899,039 A * 2/1990 Taylor H01Q 1/276
2/1

(Continued)

OTHER PUBLICATIONS

Military Hats Toronto, Pocket Military Hat with Foldable Brim (online), dated May 22, 2010. Retrieved from Internet Dec. 11, 2015, URL: https://web.archive.org/web/20100522051215/http://www.stitchylizard.com/_hats-headwear-toronto/military-hats.html (1 page).*

Primary Examiner — Karen E. Eldridge Powers

Assistant Examiner — Kimberly Barnes

(74) *Attorney, Agent, or Firm* — Matthew G. McKinney, Esq.; Allen, Dyer, Doppelt, Milbrath & Gilchrist, P.A.

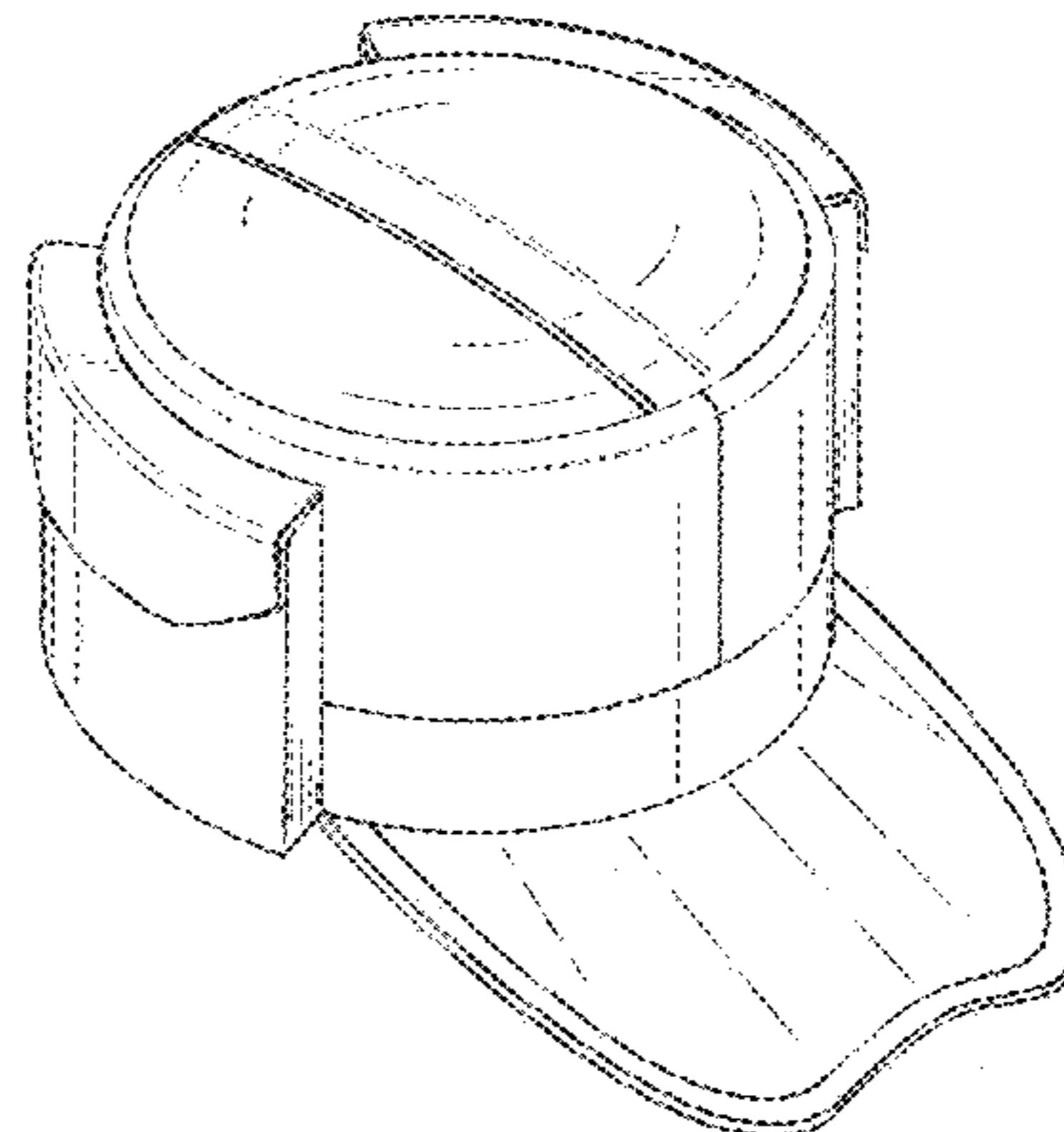
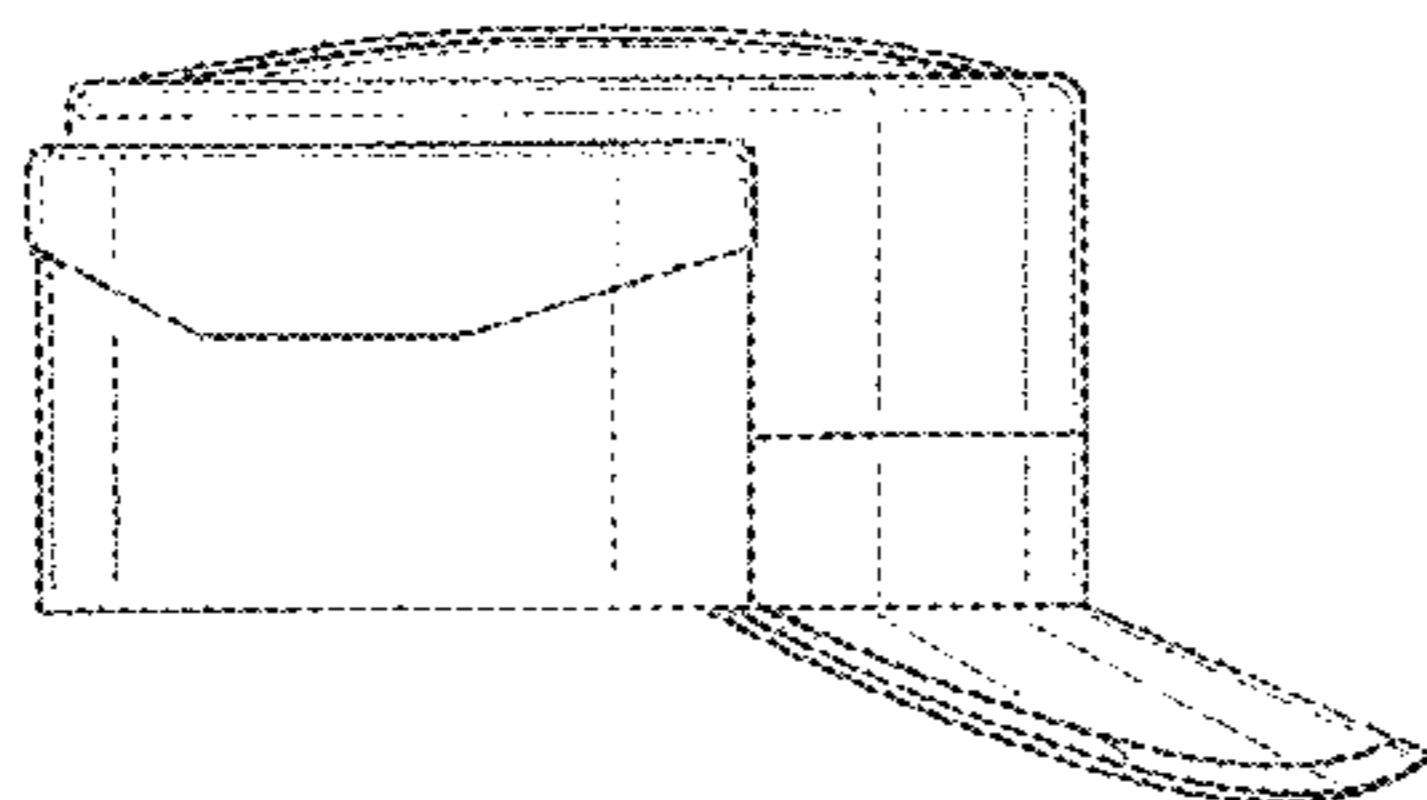
(57) **CLAIM**

The ornamental design for a hat with exterior pockets, as shown and described.

DESCRIPTION

FIG. 1 is a front elevational view of the hat with exterior pockets;
 FIG. 2 is a rear elevational view of the hat with exterior pockets, in which the broken lines representing a logo form no part of the claimed design;
 FIG. 3 is a left side elevational view of the hat with exterior pockets;
 FIG. 4 is a right side elevational view of the hat with exterior pockets;
 FIG. 5 is a top plan view of the hat with exterior pockets;
 FIG. 6 is a bottom plan view of the hat with exterior pockets, in which the broken line is a boundary and forms no part of the claimed design; and,
 FIG. 7 is a perspective view of the hat with exterior pockets.

1 Claim, 4 Drawing Sheets



US D758,704 S

Page 2

(56)

References Cited

U.S. PATENT DOCUMENTS

D321,581 S * 11/1991 Li D14/192
D333,375 S * 2/1993 Ouellette D2/866
D367,156 S * 2/1996 Dunlavey D2/866
5,799,335 A * 9/1998 Ethier A42B 1/006
150/100

D456,118 S * 4/2002 Hill D2/866
6,427,467 B1 * 8/2002 Bell A42B 1/008
2/181.6
D549,931 S * 9/2007 Melton D2/882
D571,982 S * 7/2008 Kirby D2/882
D617,535 S * 6/2010 Clement D2/866
D672,119 S * 12/2012 Mayleben D2/882

* cited by examiner

FIG. 1

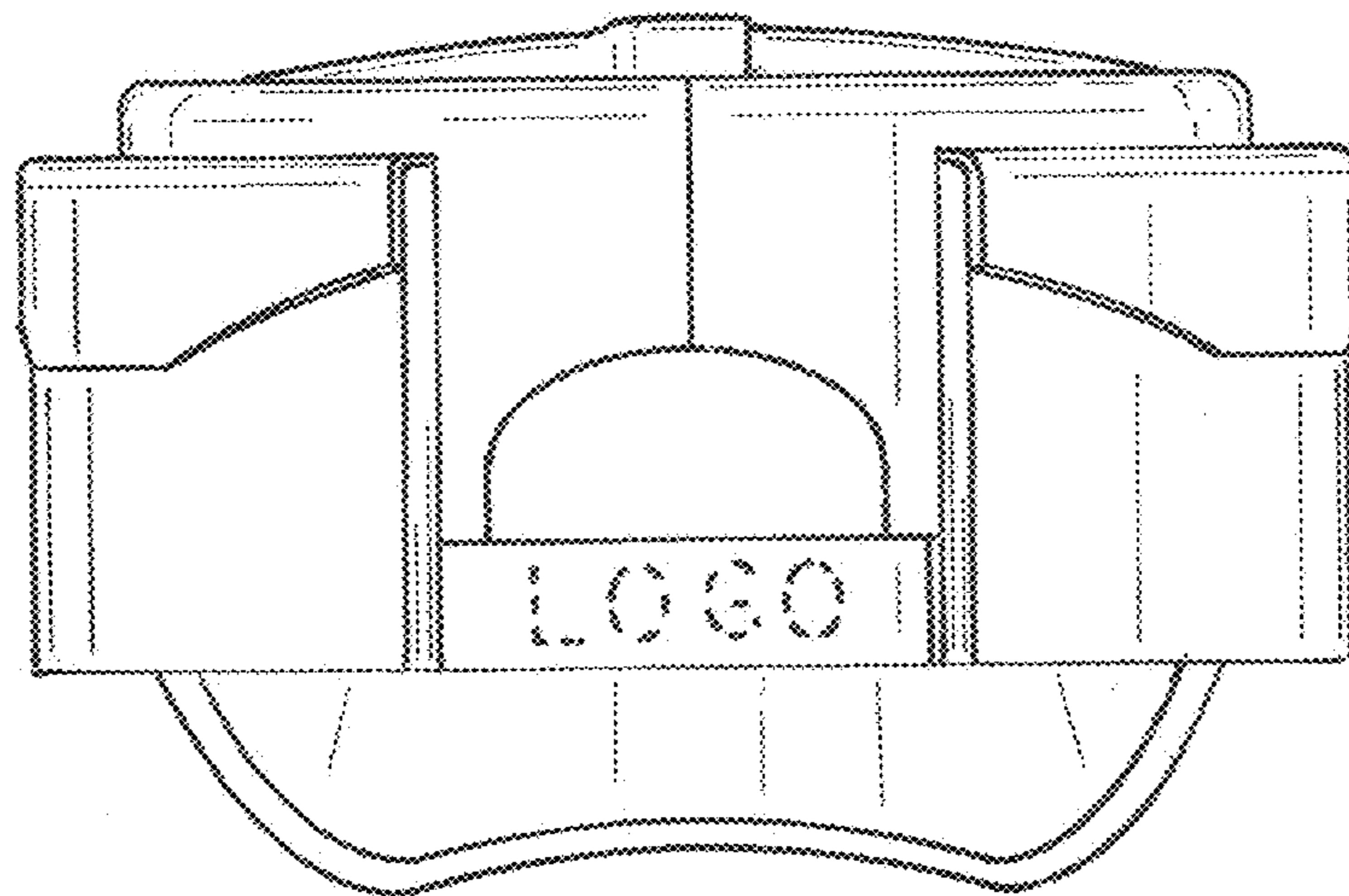
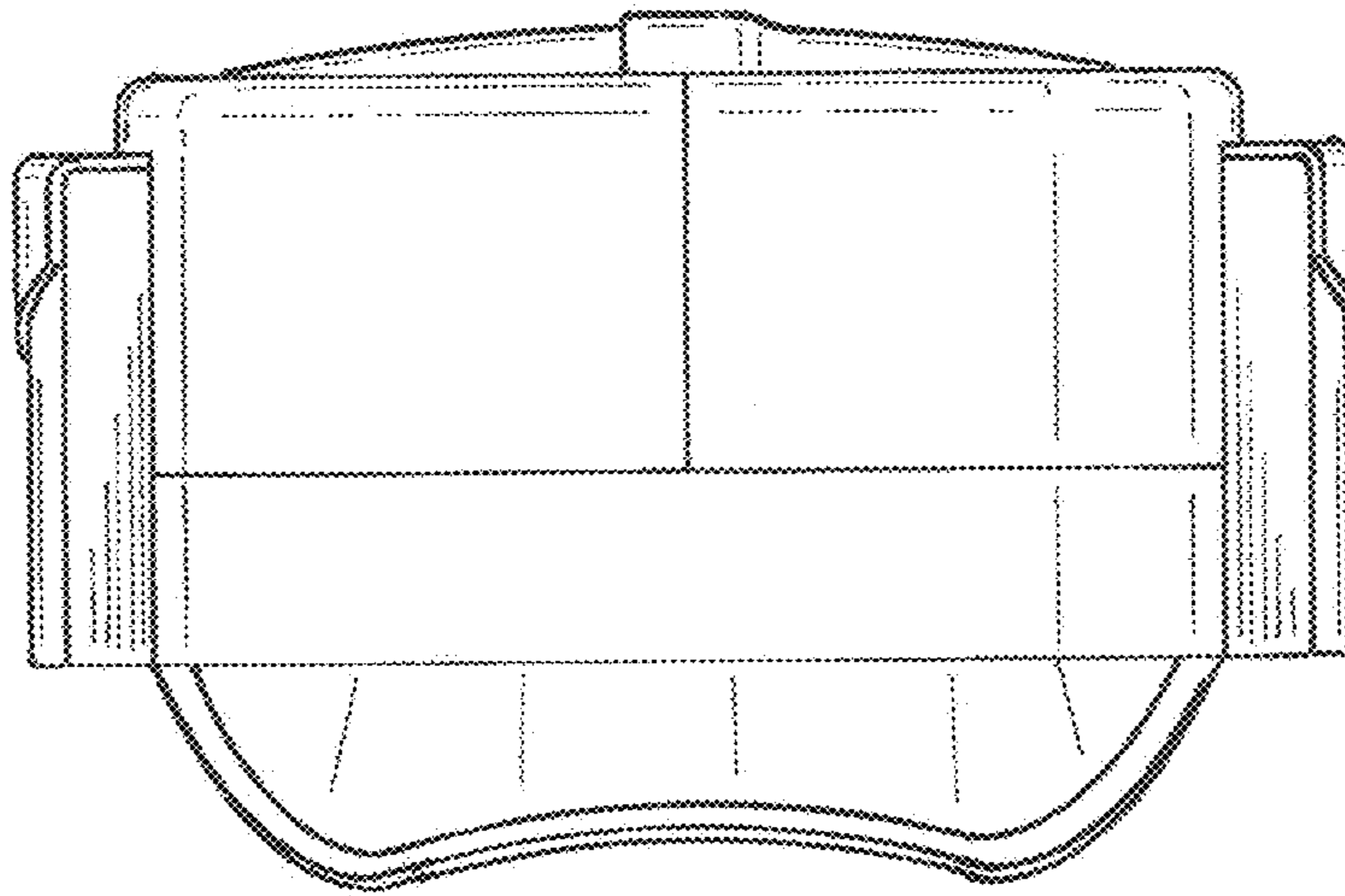


FIG. 2

FIG. 3

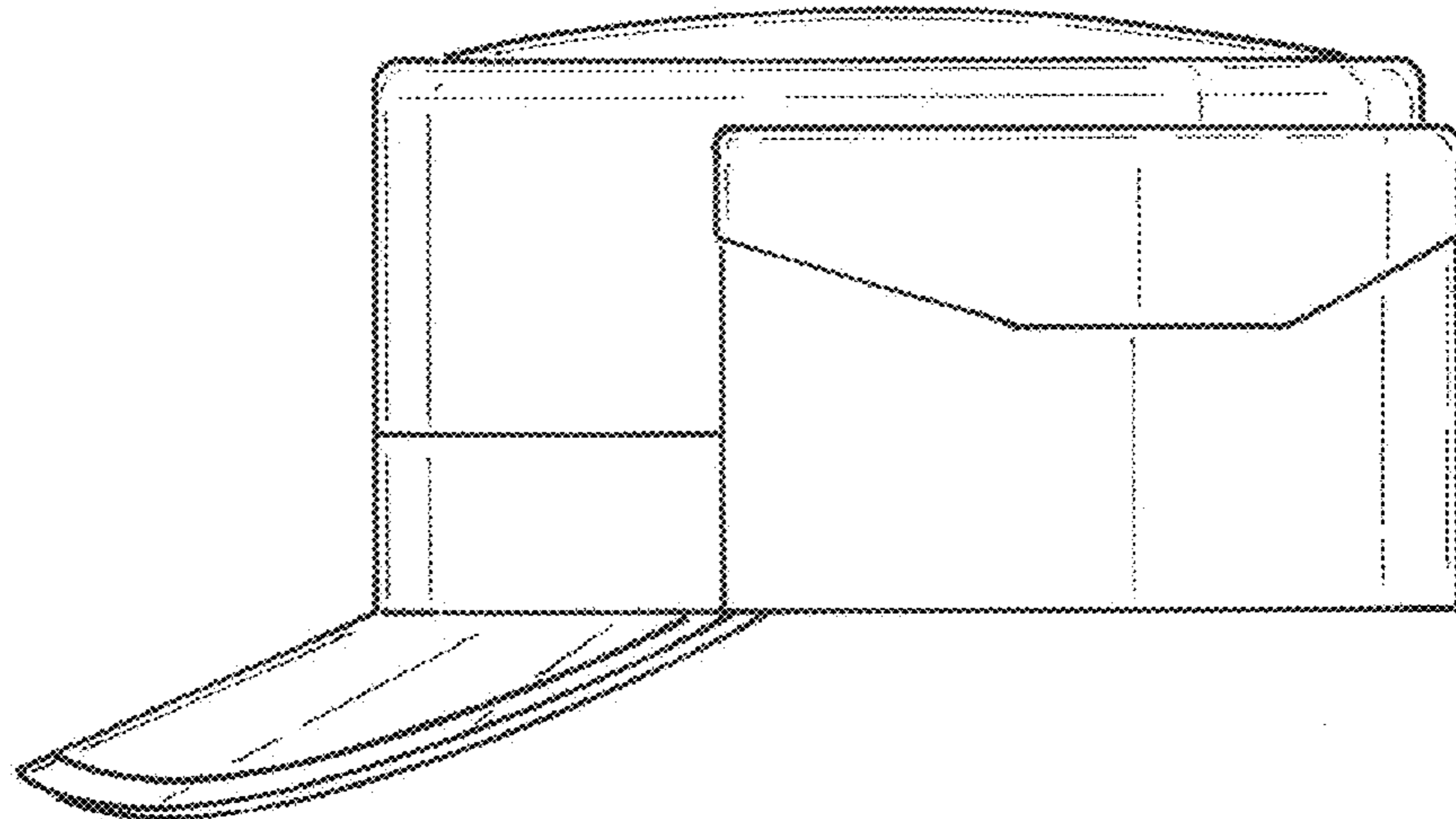
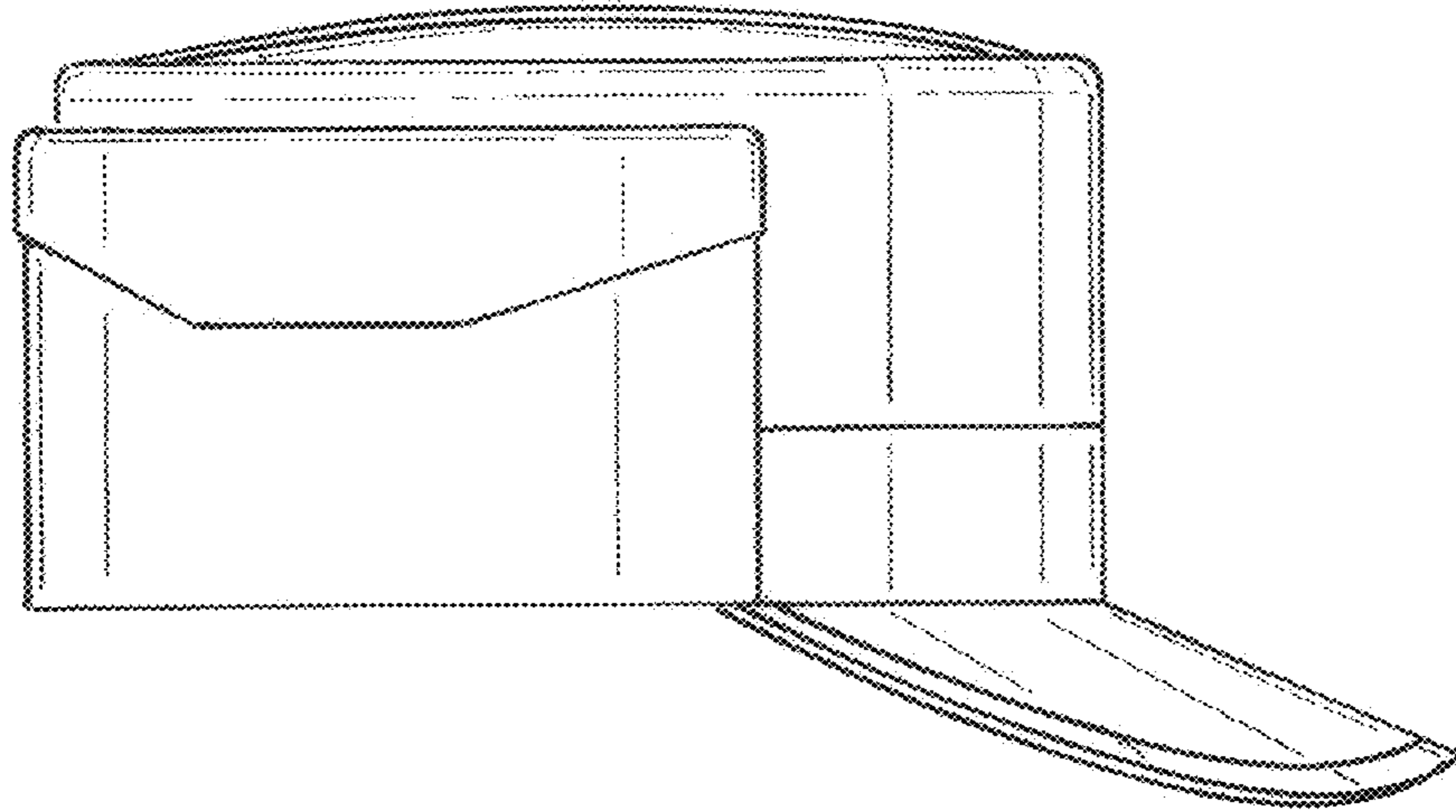


FIG. 4

FIG. 5

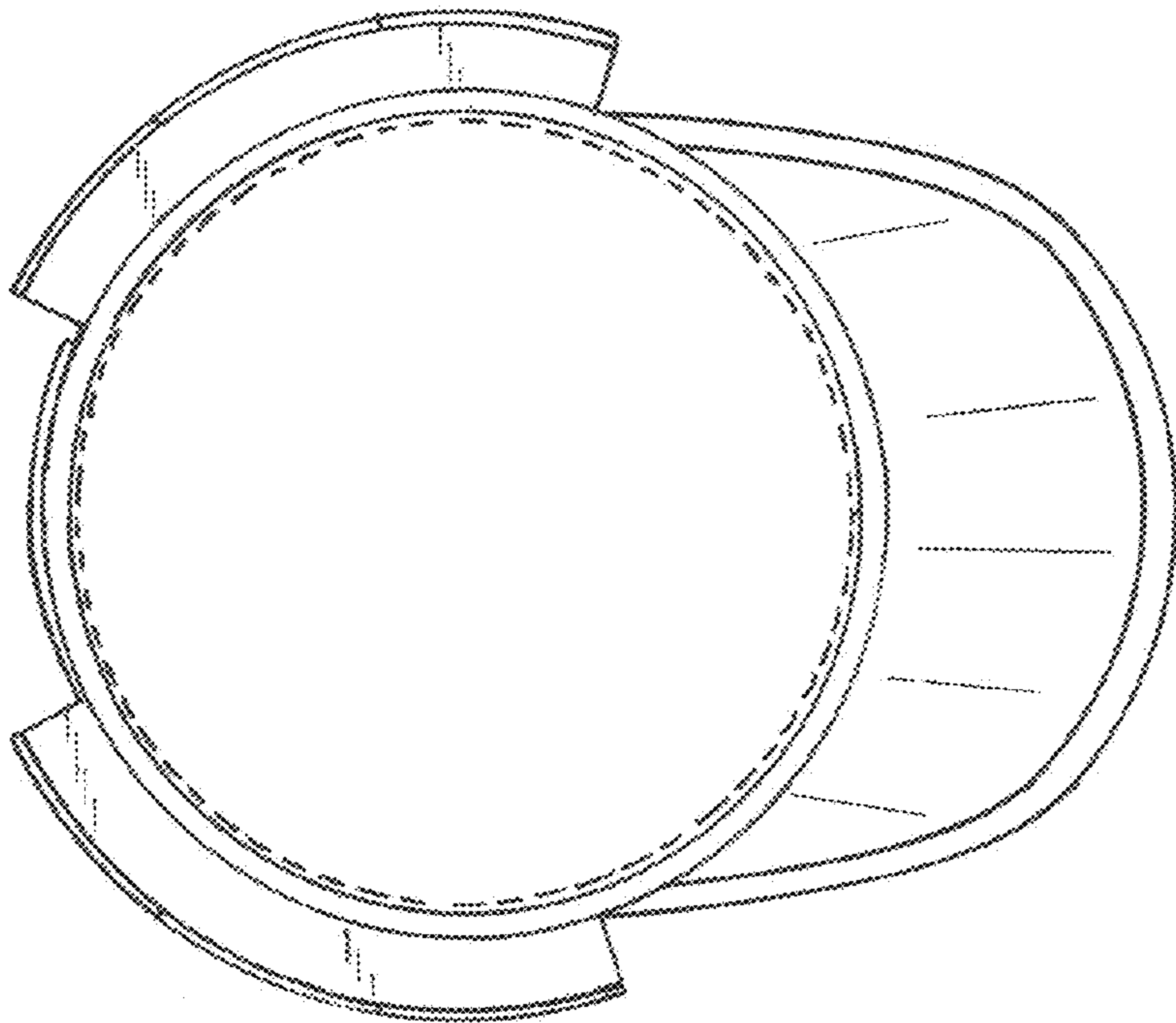
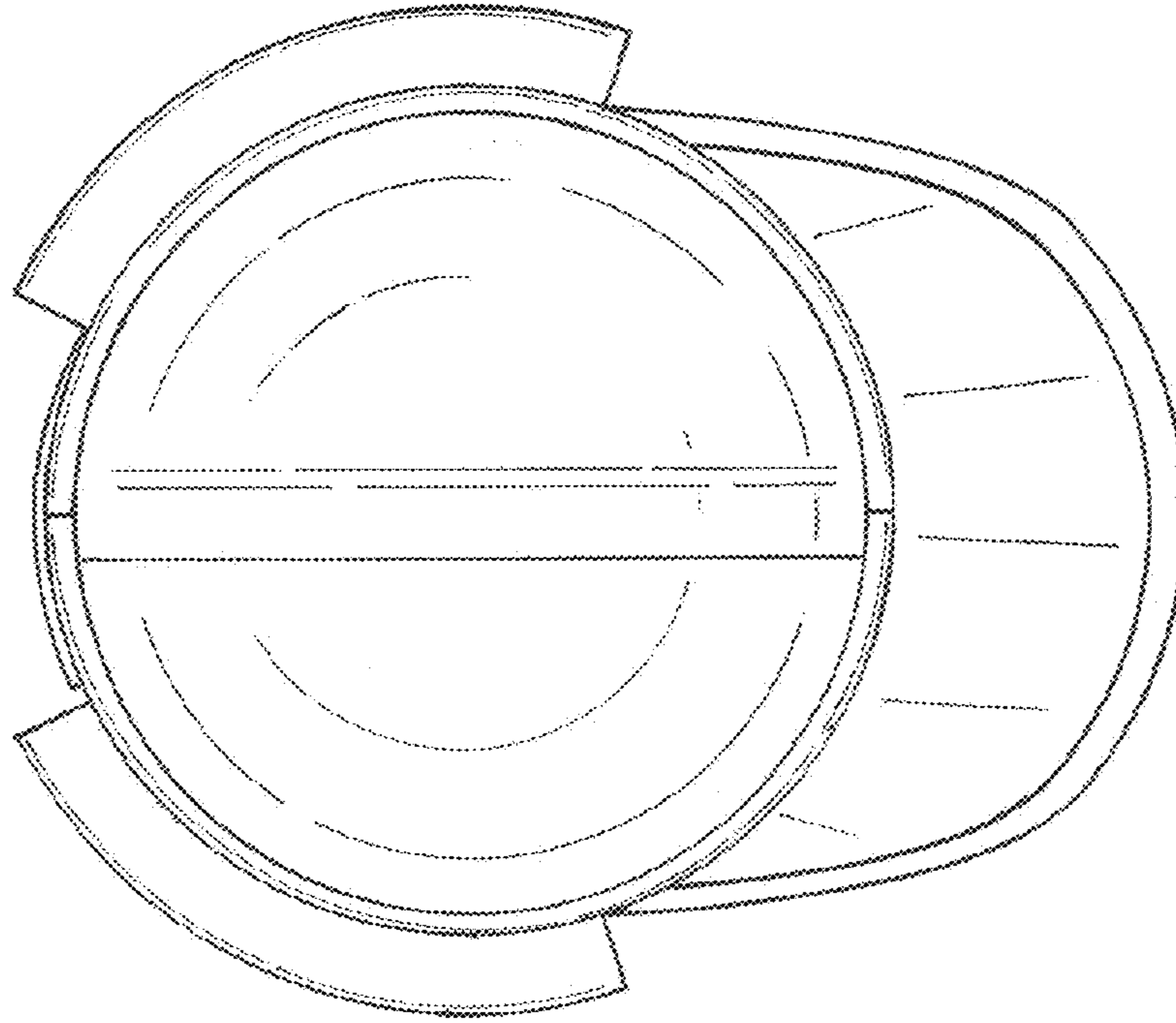


FIG. 6

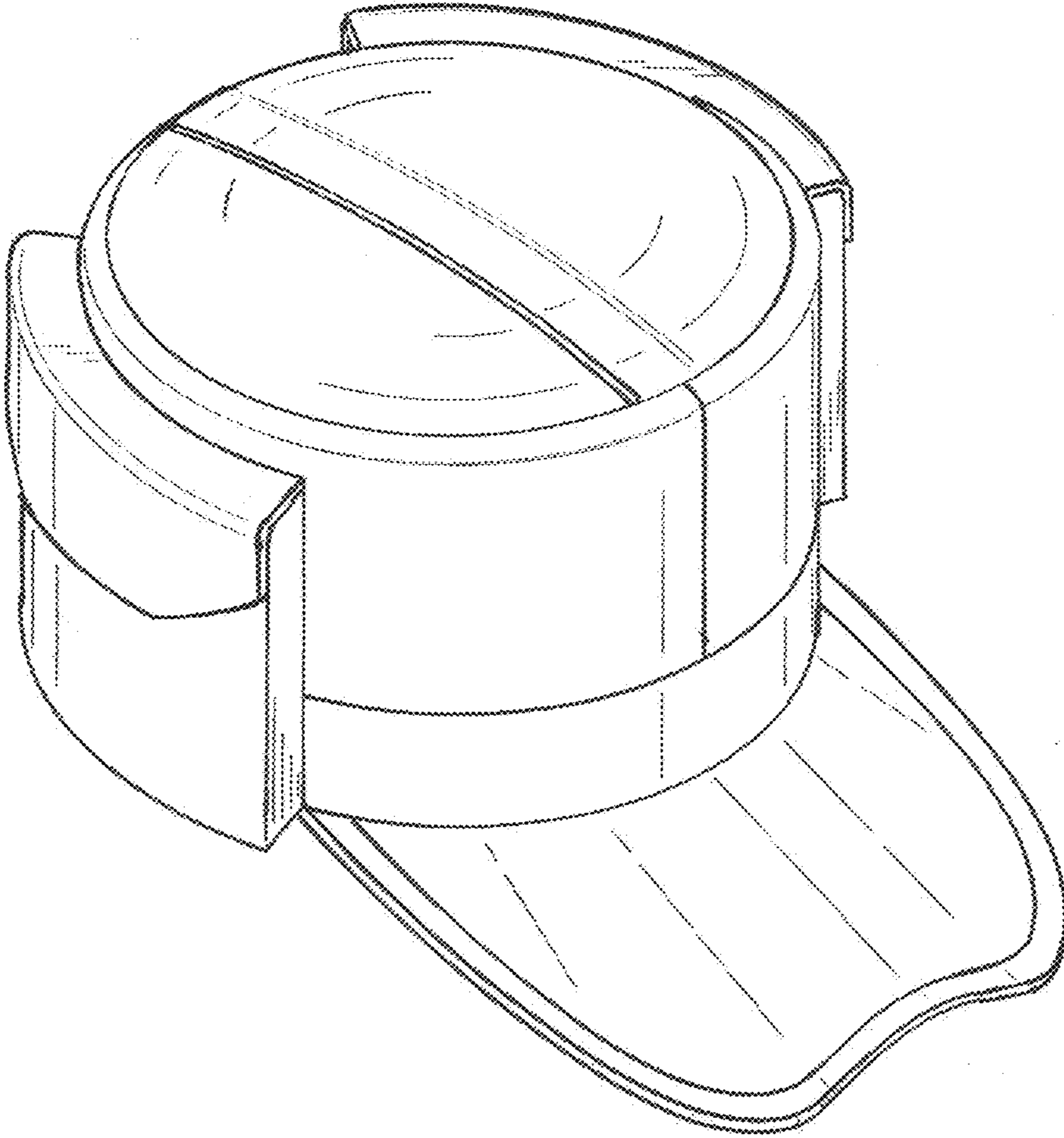


FIG. 7