



US00D758696S

(12) **United States Design Patent**  
**Castellan**

(10) **Patent No.:** **US D758,696 S**  
(45) **Date of Patent:** **\*\* Jun. 14, 2016**

(54) **JEANS**

(71) Applicant: **DIESEL S.p.A.**, Breganze (IT)

(72) Inventor: **Rossella Castellan**, Mussolente (IT)

(73) Assignee: **DIESEL S.P.A.**, Breganze (VI) (IT)

(\*\*) Term: **14 Years**

(21) Appl. No.: **29/522,759**

(22) Filed: **Apr. 2, 2015**

(30) **Foreign Application Priority Data**

Oct. 3, 2014 (EM) ..... 002550392-0003

(51) **LOC (10) Cl.** ..... **02-02**

(52) **U.S. Cl.**  
USPC ..... **D2/742**

(58) **Field of Classification Search**  
USPC ..... D2/742; 2/227, 115, 93, 69, 70, 234  
CPC ..... A41D 27/08; A41D 1/00; A41D 1/06;  
A41D 1/67; A41D 27/20; A41D 15/002;  
A41D 15/005  
See application file for complete search history.

(56) **References Cited**

**U.S. PATENT DOCUMENTS**

- D339,220 S \* 9/1993 Buziol ..... D2/742
- D392,085 S \* 3/1998 Head ..... D2/742
- 5,956,775 A \* 9/1999 Ezra ..... A41D 27/08  
2/227
- 6,421,831 B1 \* 7/2002 Korff ..... A41D 1/00  
2/115
- D491,712 S \* 6/2004 Morisset ..... D2/742
- D511,606 S \* 11/2005 Caucci ..... D2/742
- D527,866 S \* 9/2006 Fixel ..... D2/742
- D534,709 S \* 1/2007 Dipietro ..... D2/742
- D572,431 S \* 7/2008 Peters ..... D2/742
- D586,084 S \* 2/2009 Mendoza ..... D2/742
- D588,782 S \* 3/2009 Rudes ..... D2/742

- D589,680 S \* 4/2009 Escoto ..... D2/742
- 7,543,338 B2 \* 6/2009 Culhane ..... A41D 1/067  
2/93
- D600,429 S \* 9/2009 Mackintosh ..... D2/742
- D613,039 S \* 4/2010 Viola ..... D2/742
- D616,630 S \* 6/2010 Christiansen ..... D2/742
- D620,687 S \* 8/2010 Lubell ..... D2/742
- 7,926,122 B1 \* 4/2011 Countryman ..... A41D 1/06  
2/227
- D647,689 S \* 11/2011 Girbaud ..... D2/742
- D656,299 S \* 3/2012 Peters ..... D2/742
- D663,922 S \* 7/2012 Karik ..... D2/742

(Continued)

**FOREIGN PATENT DOCUMENTS**

- CN 3179599 \* 3/2001
- EM 000807417-0003 \* 12/2007
- KR 300258379.0000 \* 6/2000

**OTHER PUBLICATIONS**

Carhartt Washed Duck Work Pants, Announced Mar. 3, 2013, [ Site Visited Mar. 2, 2016 ] <http://www.sierratradingpost.com/carhartt-washed-duck-work-pants-for-men~p~22312/>.\*

(Continued)

*Primary Examiner* — John Windmuller  
*Assistant Examiner* — Luqman McNeil  
(74) *Attorney, Agent, or Firm* — King & Schickli, PLLC

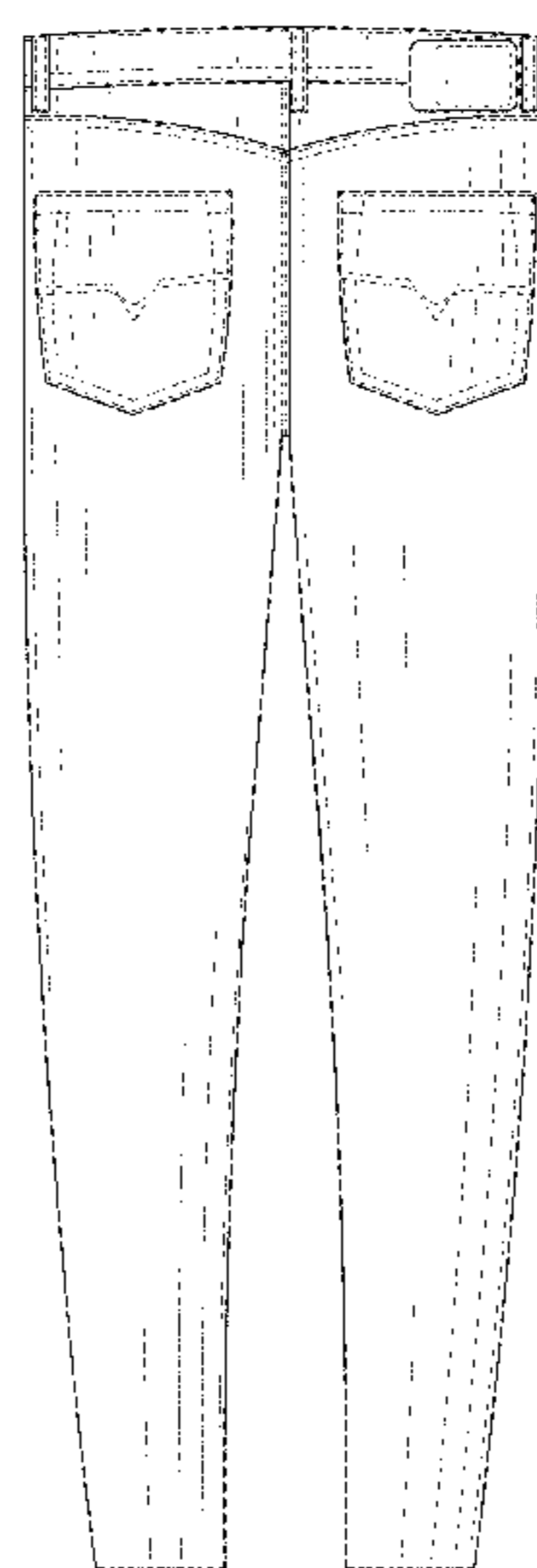
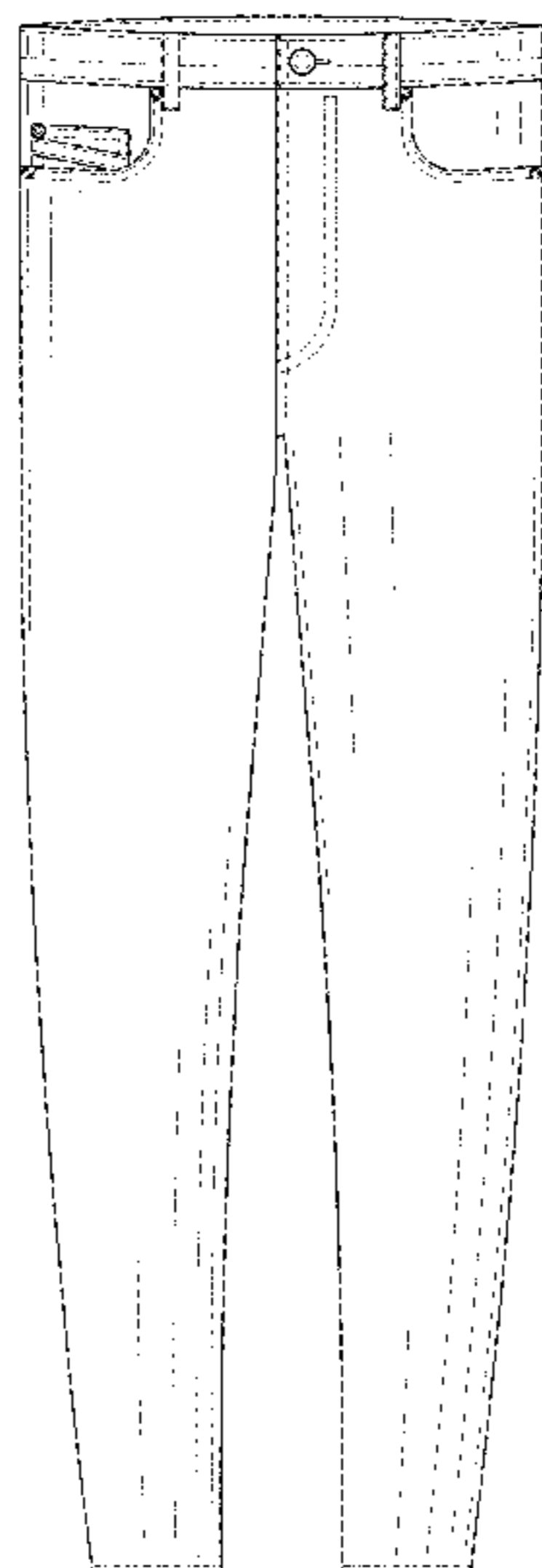
(57) **CLAIM**

The ornamental design for jeans, as shown.

**DESCRIPTION**

FIG. 1 is a front view of the jeans;  
FIG. 2 is a rear view of the jeans of FIG. 1;  
FIG. 3 is a right side view of the jeans of FIG. 1; and,  
FIG. 4 is a left side view of the jeans of FIG. 1.  
The broken lines in the figures depict stitching that is part of the claimed design.

**1 Claim, 2 Drawing Sheets**



(56)

**References Cited**

U.S. PATENT DOCUMENTS

D679,890 S \* 4/2013 Persaud ..... D2/742  
D686,800 S \* 7/2013 Kelly ..... D2/742  
D705,519 S \* 5/2014 Meyer ..... D2/742  
2007/0136930 A1 \* 6/2007 Dipietro ..... A41D 1/06  
2/227  
2010/0299804 A1 \* 12/2010 Huang ..... A41D 1/06  
2/93  
2011/0185470 A1 \* 8/2011 Jones ..... A41D 27/20  
2/69  
2013/0125287 A1 \* 5/2013 Boyle ..... A41D 15/002  
2/70

2013/0219589 A1 \* 8/2013 Jones ..... A41D 15/005  
2/227  
2014/0150166 A1 \* 6/2014 Hall ..... A41D 1/06  
2/227  
2014/0165265 A1 \* 6/2014 Tulin ..... A41D 1/06  
2/234

OTHER PUBLICATIONS

Denim Guide Fall 2013: Shop our favorite styles of the season,  
Announced Aug. 14, 2013, [ Site Visited Mar. 3, 2013 ] <http://www.elle.com/fashion/trend-reports/news/g8061/fall-2013-denim/?slide=1>.\*

\* cited by examiner

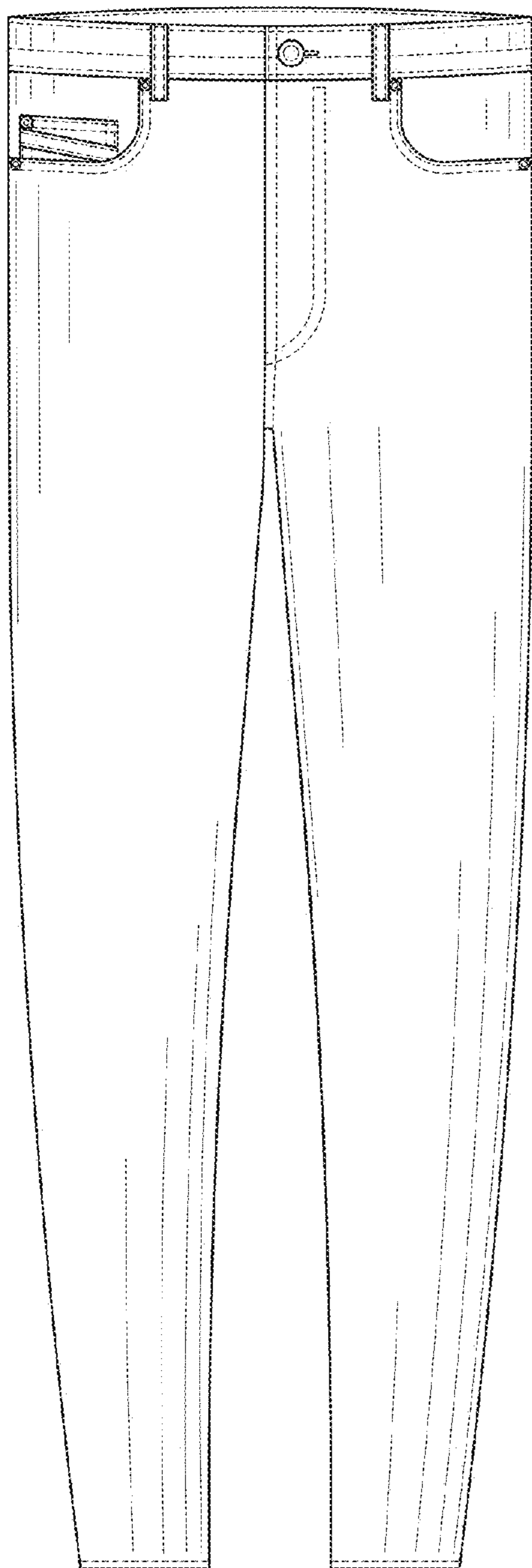


FIG. 1

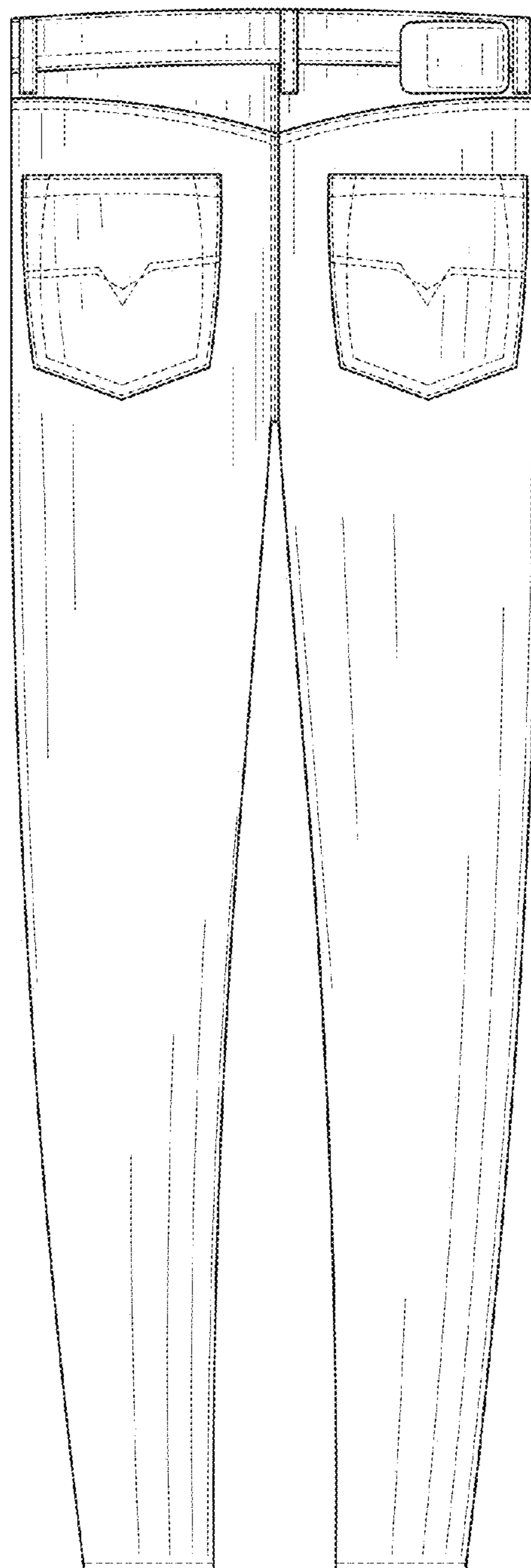


FIG. 2

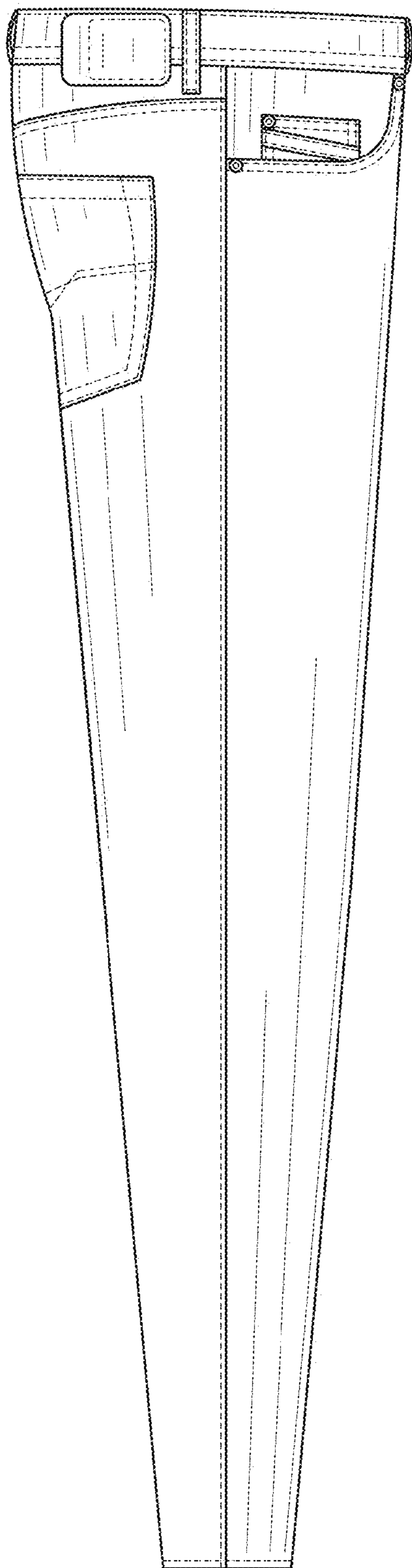


FIG. 3

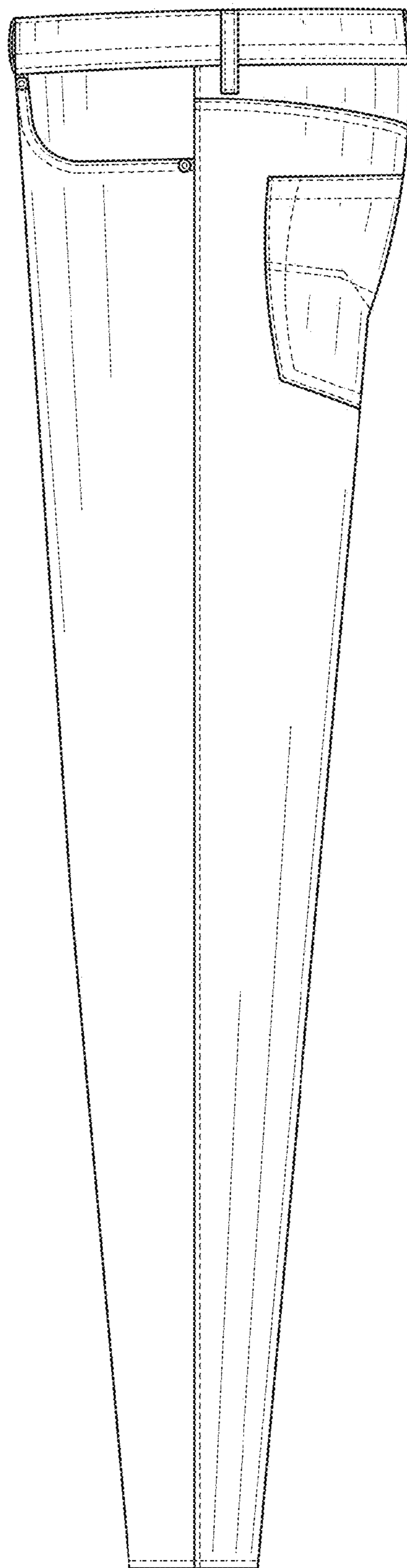


FIG. 4