



US00D758694S

(12) **United States Design Patent**
Rollins

(10) **Patent No.:** **US D758,694 S**
(45) **Date of Patent:** **** Jun. 14, 2016**

(54) **PANTS**

(71) Applicant: **Jerry Rollins**, Vacaville, CA (US)

(72) Inventor: **Jerry Rollins**, Vacaville, CA (US)

(**) Term: **14 Years**

(21) Appl. No.: **29/461,961**

(22) Filed: **Jul. 29, 2013**

(51) **LOC (10) Cl.** **02-02**

(52) **U.S. Cl.**
USPC **D2/742**

(58) **Field of Classification Search**
USPC D2/857, 738, 742, 743, 744, 745, 746,
D2/747, 748, 712, 731, 851, 713, 714, 715,
D2/716; 2/247, 248, 244, DIG. 1
CPC A41D 1/00; A41D 1/06; A41D 1/14;
A41D 1/088; A41D 1/086; A41D 1/084;
A41D 1/082; A41D 27/20; A41D 27/204;
A41D 27/205; A41D 27/207; A41D 27/208;
A41D 27/28; A41D 17/02
See application file for complete search history.

(56) **References Cited**

U.S. PATENT DOCUMENTS

D461,035 S * 8/2002 Pellar D2/742
D534,709 S * 1/2007 Dipietro D2/742
D561,979 S * 2/2008 Eichelberger D2/742

D626,718 S * 11/2010 Turner D2/712
D626,719 S * 11/2010 Turner D2/712
D629,999 S * 1/2011 Turner D2/712
D633,688 S * 3/2011 Turner D2/712
D669,247 S * 10/2012 Rollins D2/742
D721,871 S * 2/2015 Thorn et al. D2/731
2009/0178174 A1 * 7/2009 Cash, Jr. 2/69

* cited by examiner

Primary Examiner — Cathron Brooks

Assistant Examiner — Melanie Pellegrini

(74) *Attorney, Agent, or Firm* — QuickPatents, LLC; Kevin Prince

(57) **CLAIM**

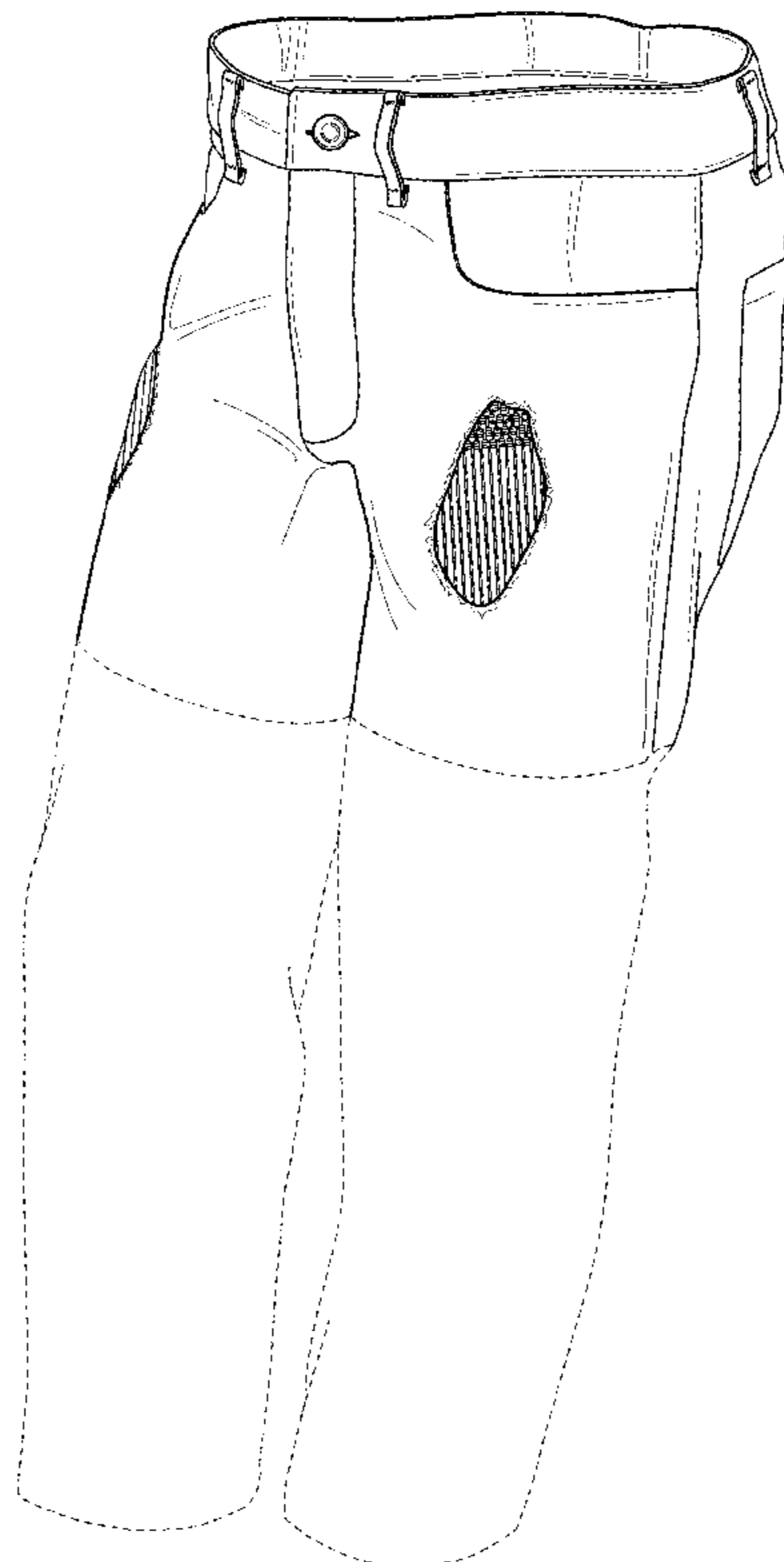
I claim the ornamental design for pants, as shown and described.

DESCRIPTION

FIG. 1 is a perspective view of pants showing my new design; FIG. 2 is a front elevational view thereof; FIG. 3 is a rear elevational view thereof; FIG. 4 is a right-side elevational view thereof; FIG. 5 is a left-side elevational view thereof; FIG. 6 is a top plan view thereof; FIG. 7 is a bottom plan view thereof; and, FIG. 8 is an enlarged partial front elevational view thereof taken along line 8 in FIG. 2.

The broken lines showing a lower portion of the garment in the figures depict environmental matter and form no part of the claimed design. The remaining broken lines on the design represent stitching, and are part of the claimed design.

1 Claim, 4 Drawing Sheets



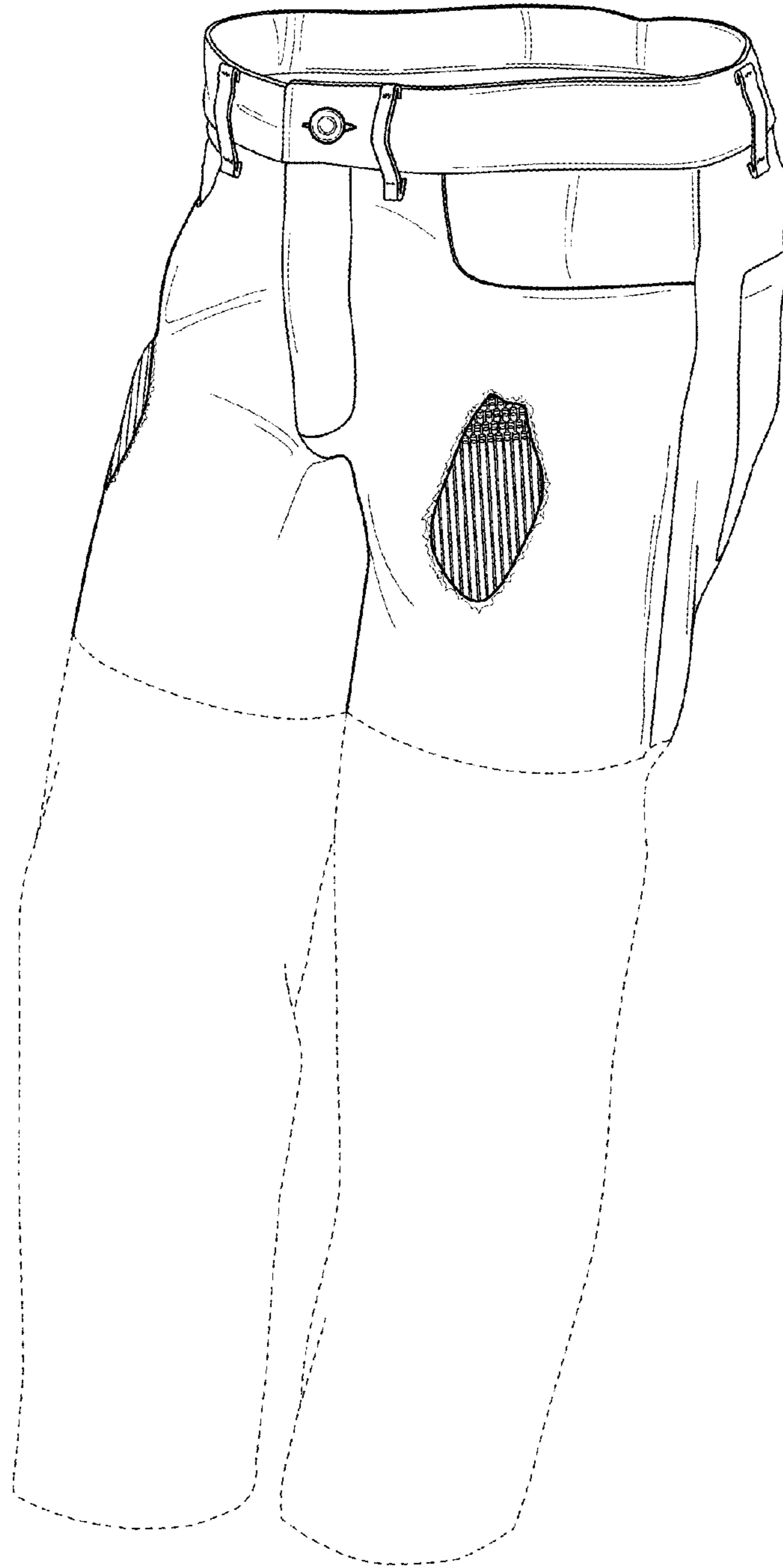


FIG. 1

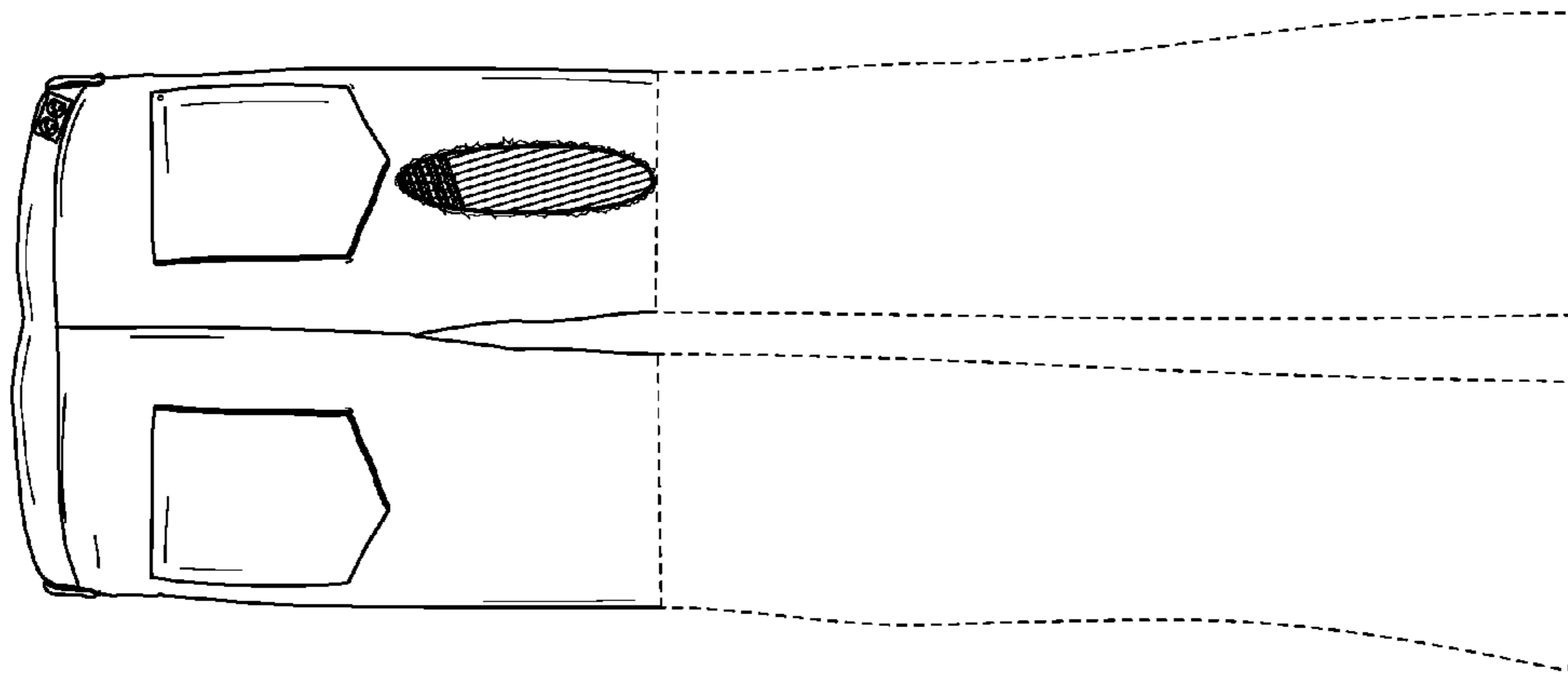


FIG. 3

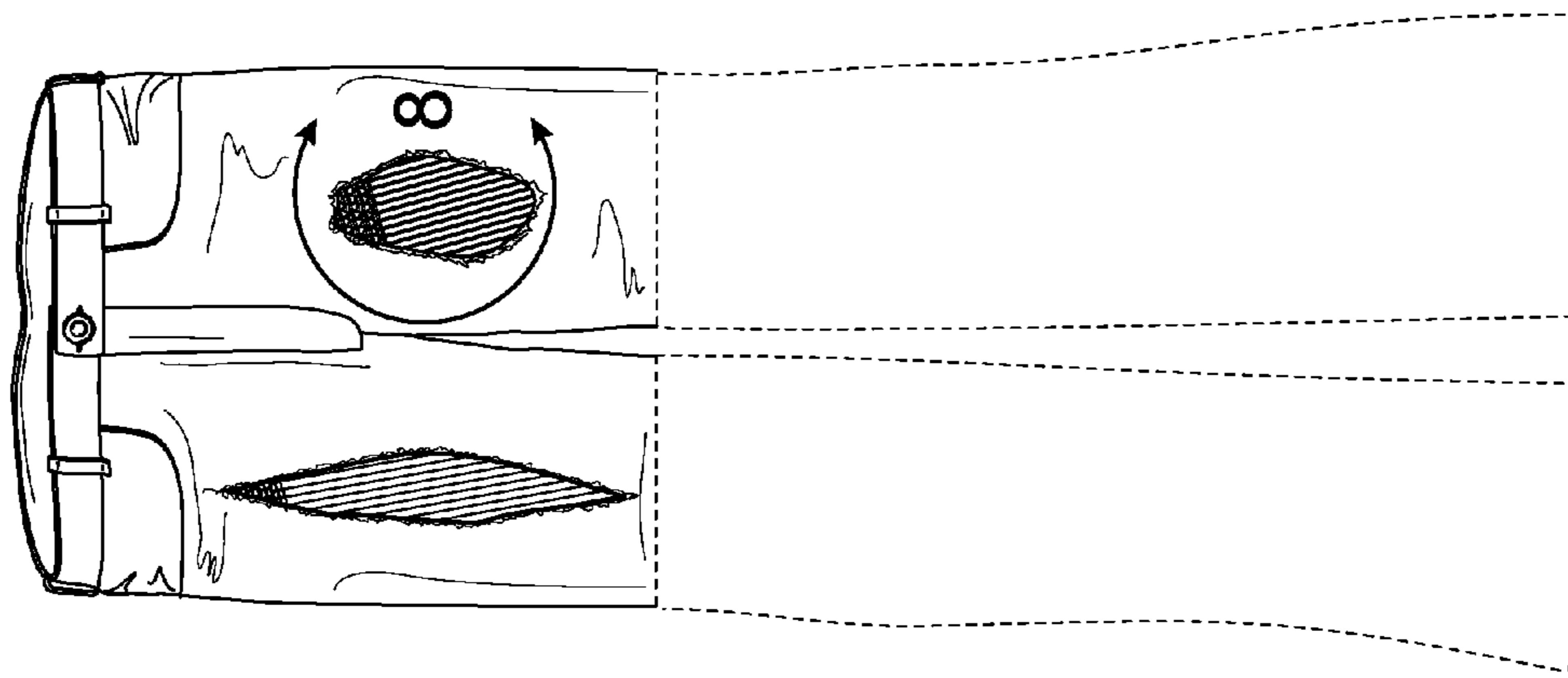


FIG. 2

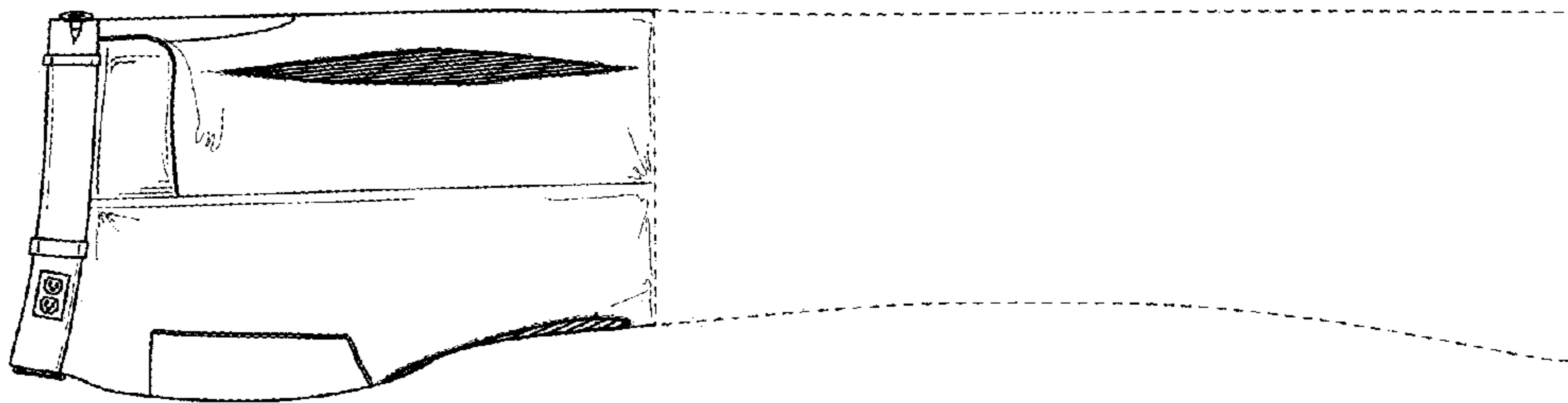


FIG. 4

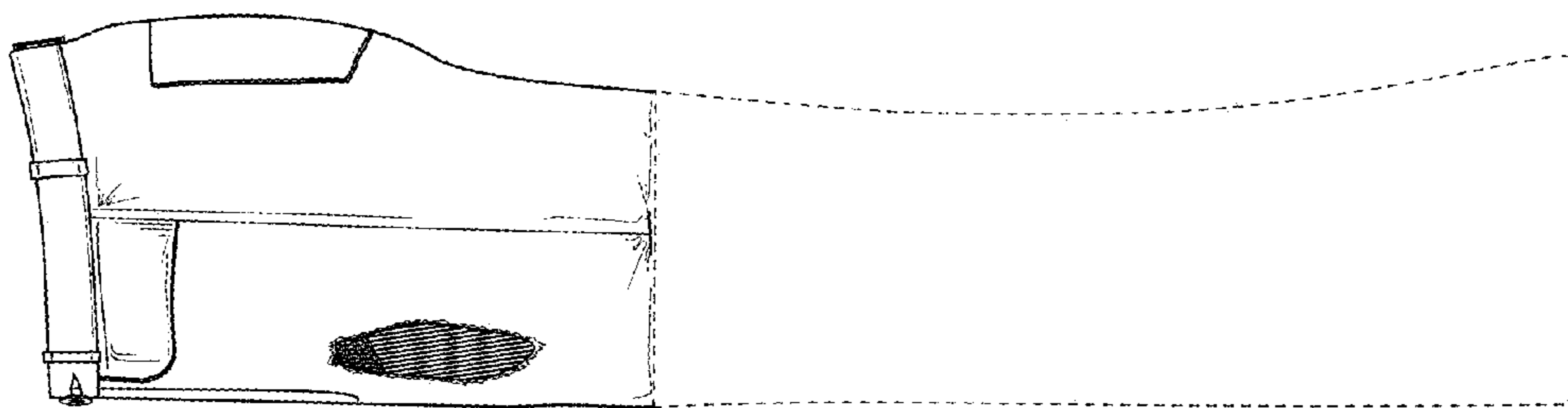


FIG. 5

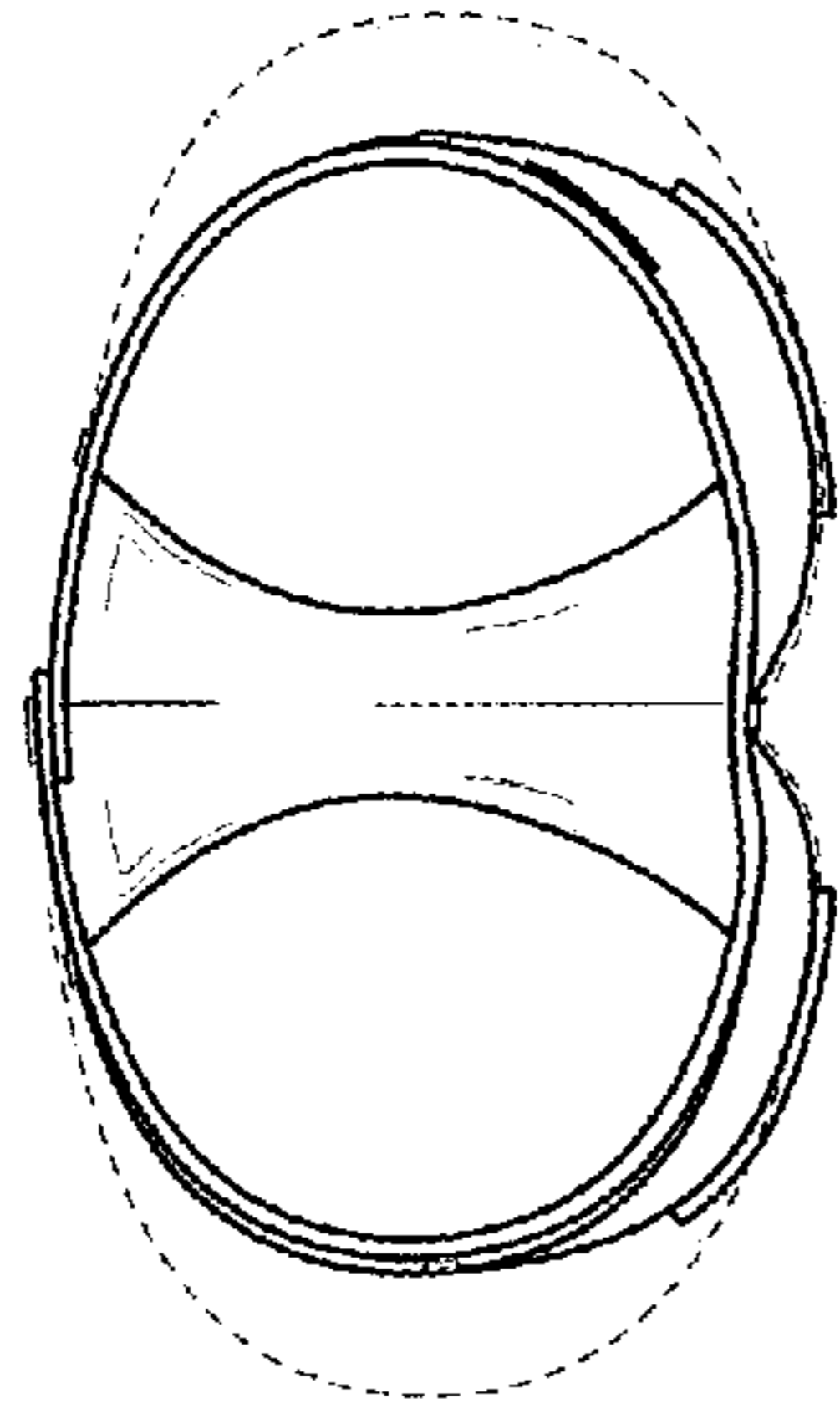


FIG. 6

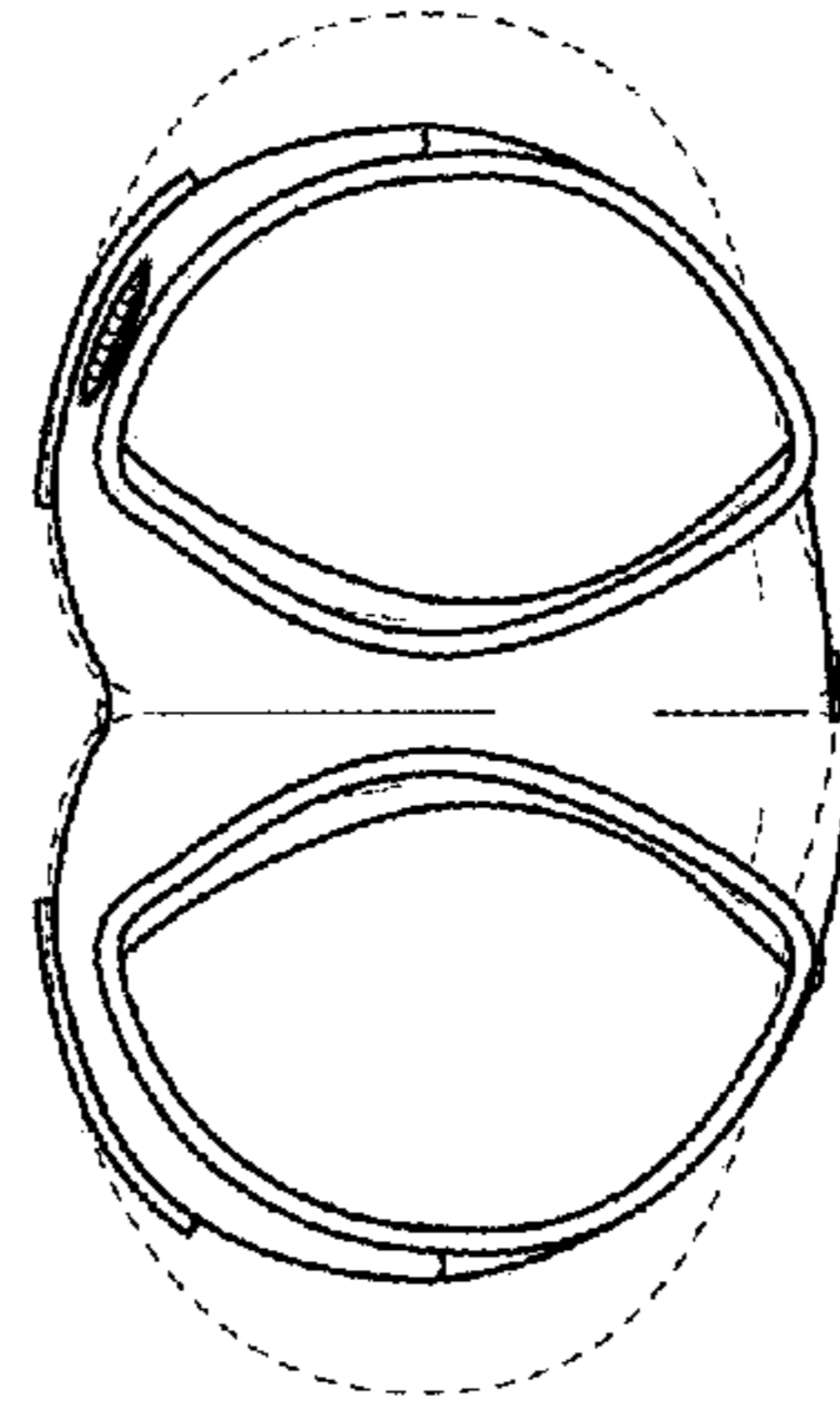


FIG. 7

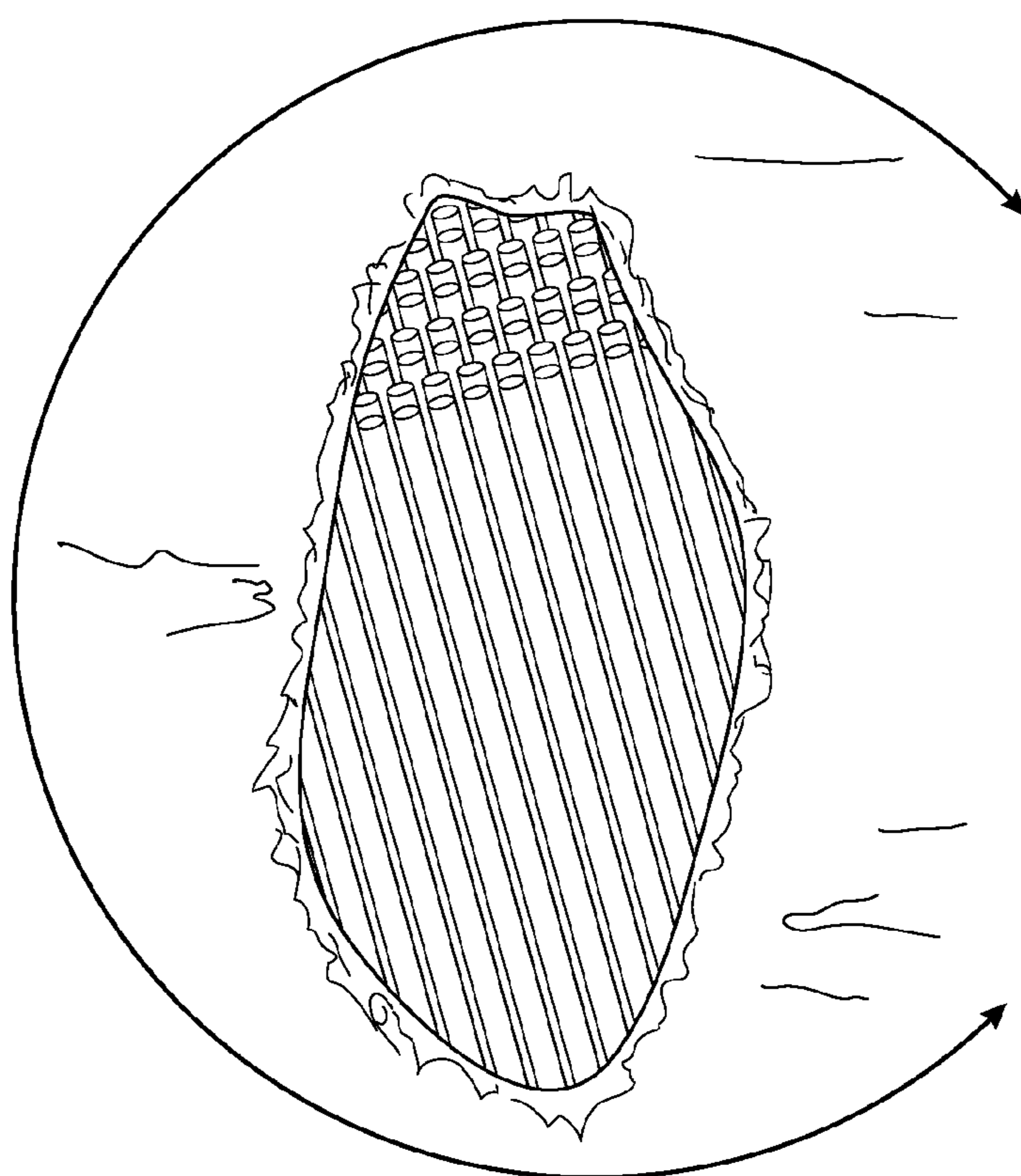


FIG. 8