



US00D758689S

(12) **United States Design Patent**
Coyle

(10) **Patent No.:** **US D758,689 S**
(45) **Date of Patent:** **** Jun. 7, 2016**

(54) **EXPANSION TANK REMOVAL DEVICE**
(71) Applicant: **Kenneth G. Coyle**, Bow, NH (US)
(72) Inventor: **Kenneth G. Coyle**, Bow, NH (US)
(**) Term: **14 Years**

7,118,149 B1 * 10/2006 Mertz, Jr. B65G 7/12
294/141
7,316,435 B2 * 1/2008 Leighton A45C 11/00
150/154
7,926,860 B2 * 4/2011 Hill A45F 3/14
294/137

* cited by examiner

Primary Examiner — Robin V Webster
(74) *Attorney, Agent, or Firm* — Dale J. Ream

(21) Appl. No.: **29/508,773**

(22) Filed: **Nov. 11, 2014**

(57) **CLAIM**

The ornamental design for an expansion tank removal device, as shown and described.

(51) **LOC (10) Cl.** **12-05**
(52) **U.S. Cl.**
USPC **D34/28; D23/206**
(58) **Field of Classification Search**
USPC D23/200, 206; D34/28; D3/201;
294/145, 152, 165
CPC B65D 33/10; B65G 7/12
See application file for complete search history.

DESCRIPTION

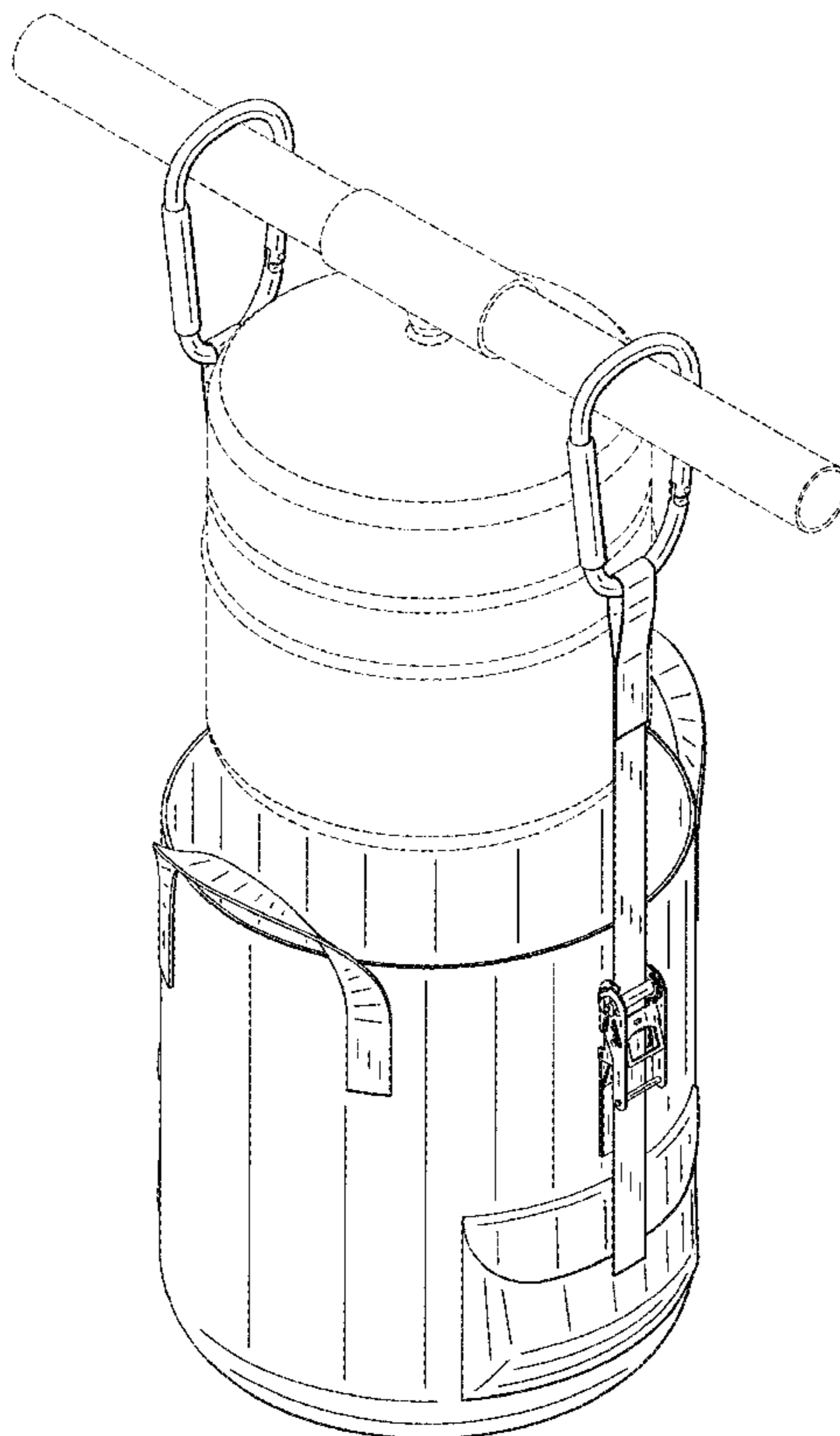
FIG. 1 is a perspective view of an expansion tank removal device showing my new design;
FIG. 2 is a front view thereof;
FIG. 3 is a back view thereof;
FIG. 4 is a right side view thereof;
FIG. 5 is a left side view thereof;
FIG. 6 is a top view thereof; and,
FIG. 7 is a bottom view thereof.
In the drawings, the broken lines represent unclaimed environment subject matter and form no part of the claimed design.

(56) **References Cited**

U.S. PATENT DOCUMENTS

5,531,495 A * 7/1996 Hohman B65D 25/2817
294/165
D486,287 S * 2/2004 Liljedahl D34/28

1 Claim, 7 Drawing Sheets



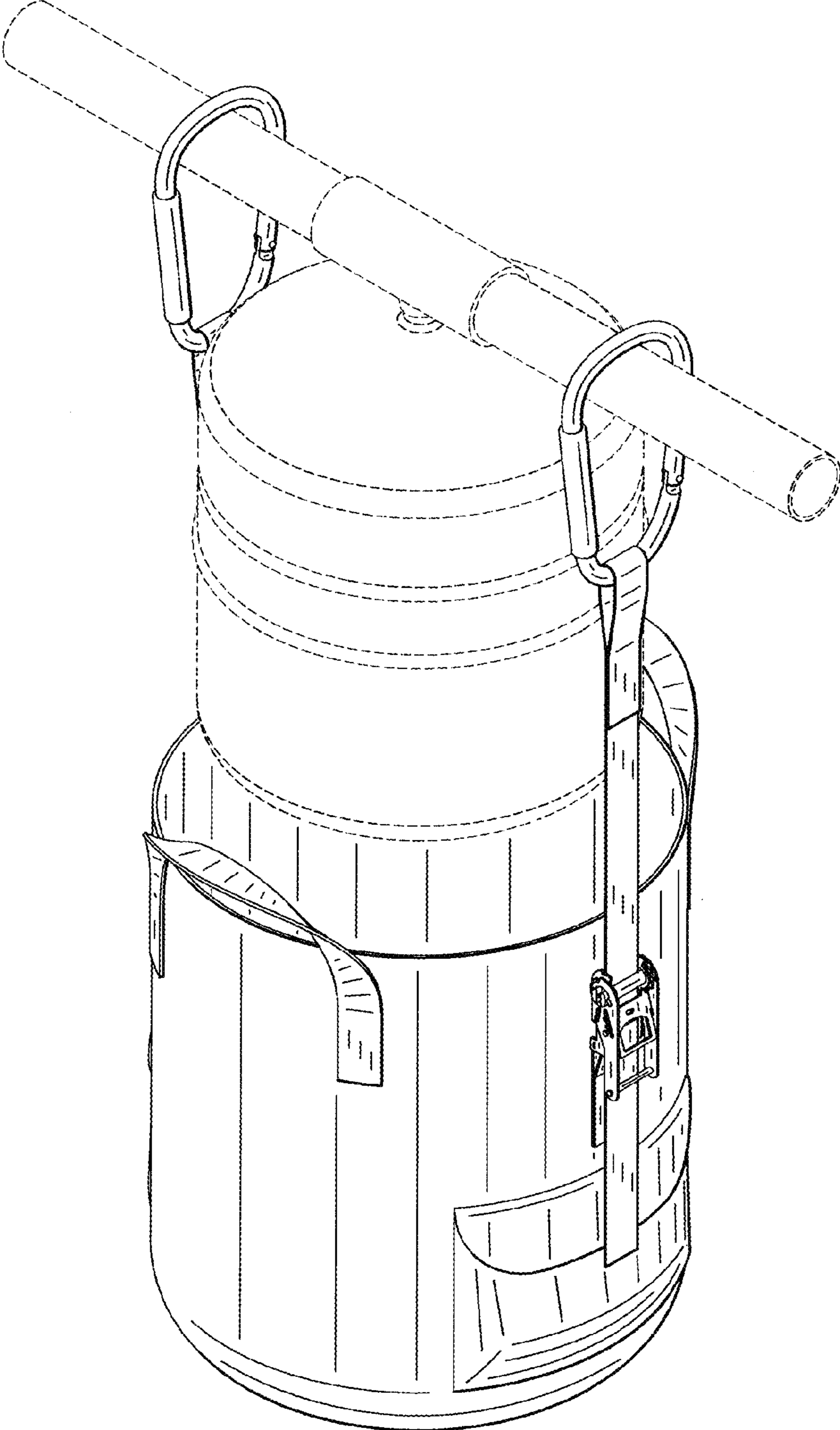


FIG. 1

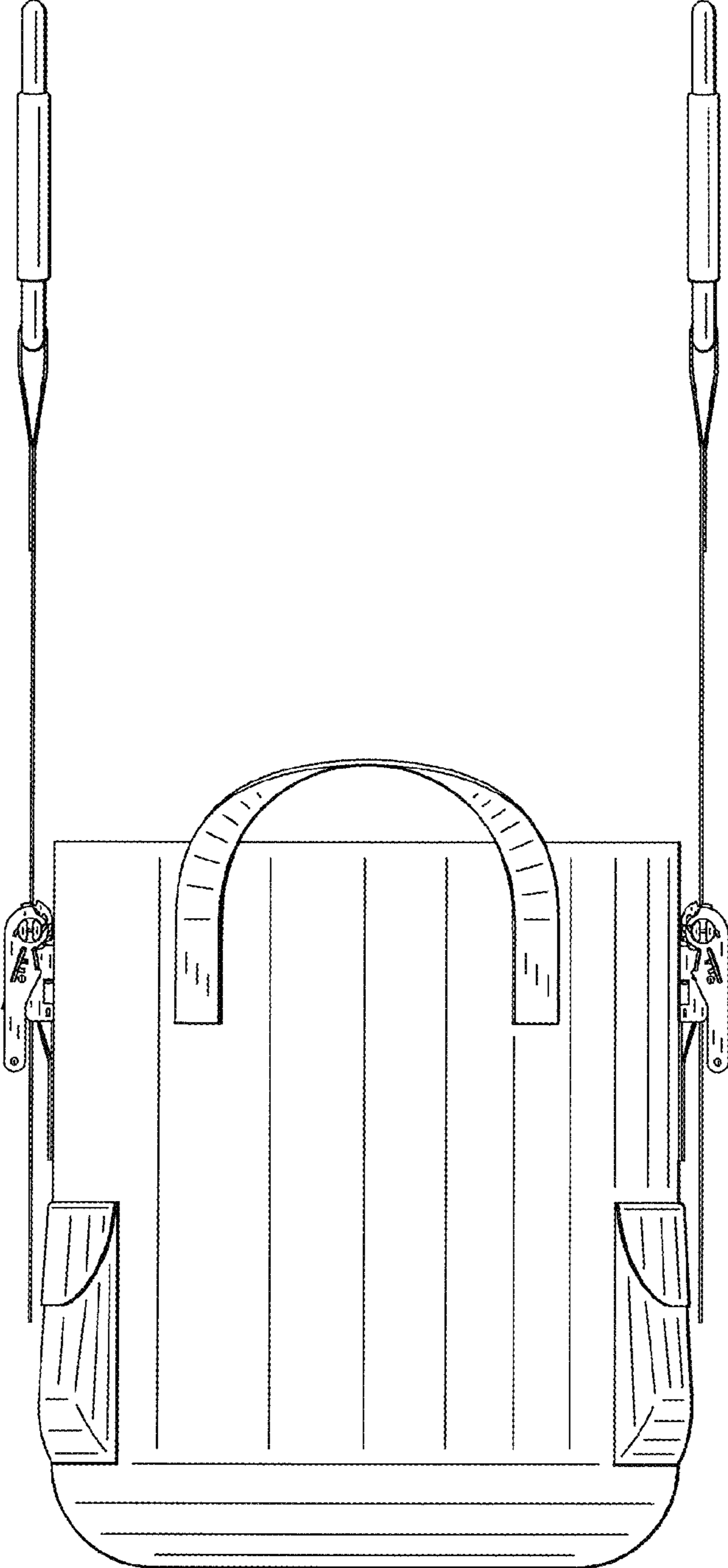


FIG. 2

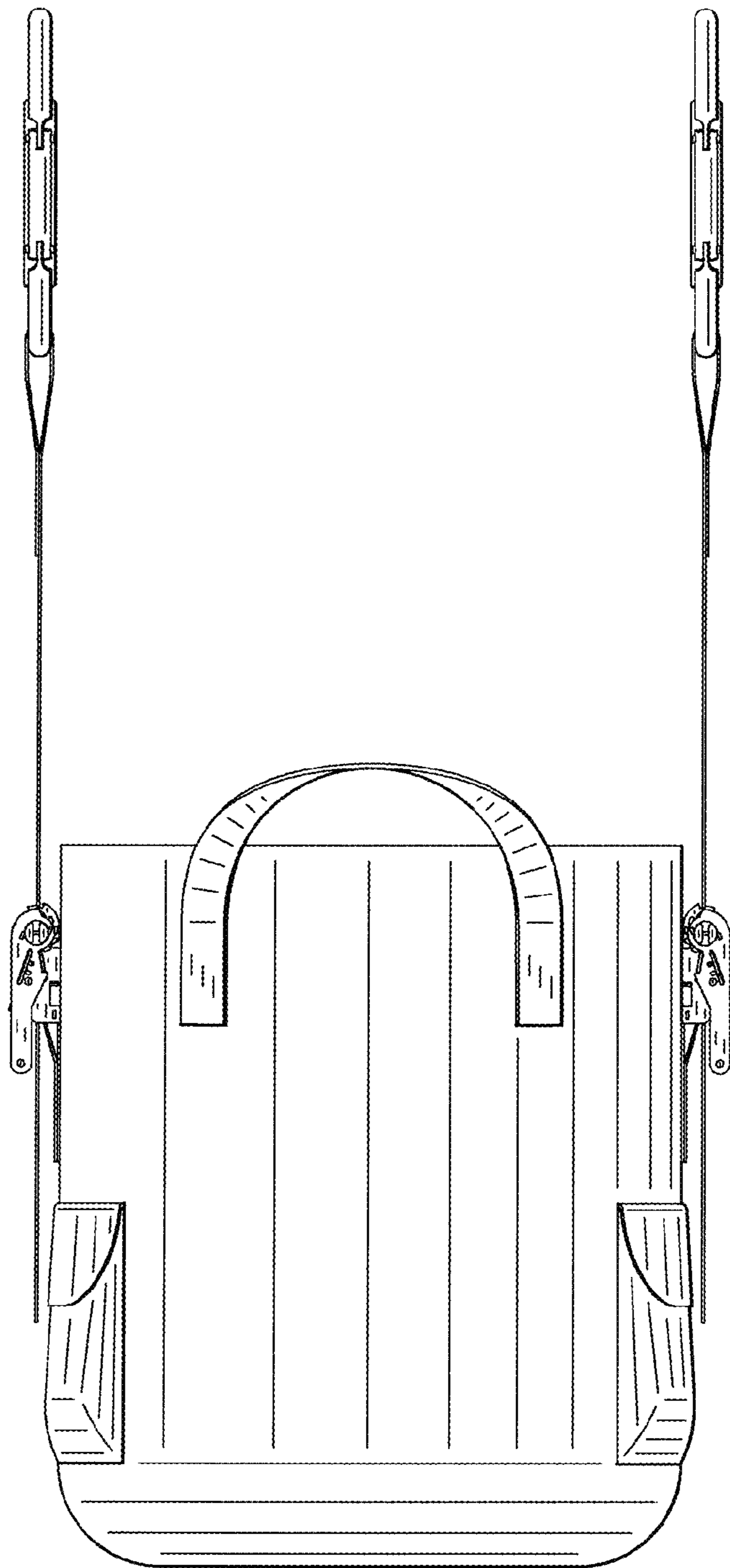


FIG. 3

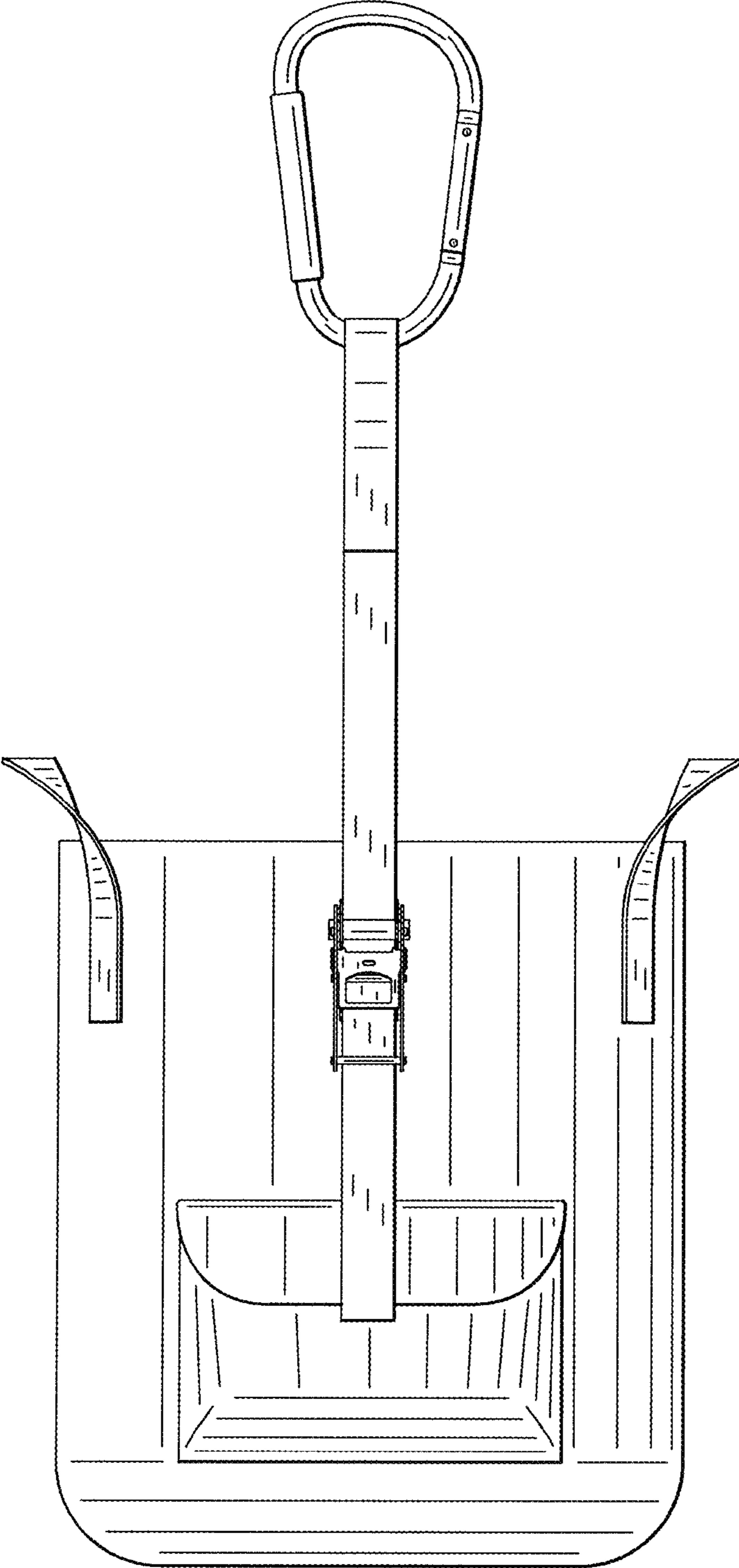


FIG. 4

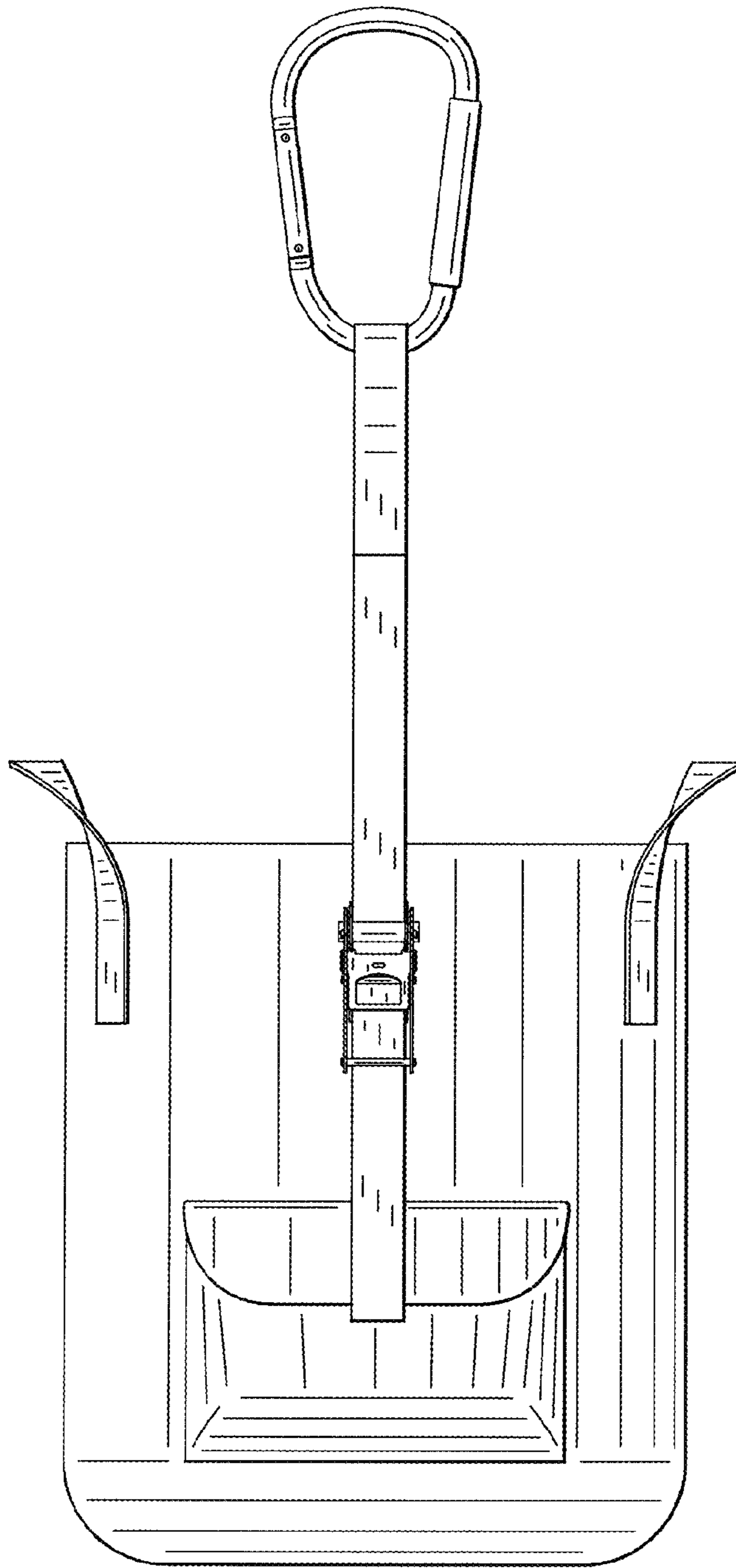


FIG. 5

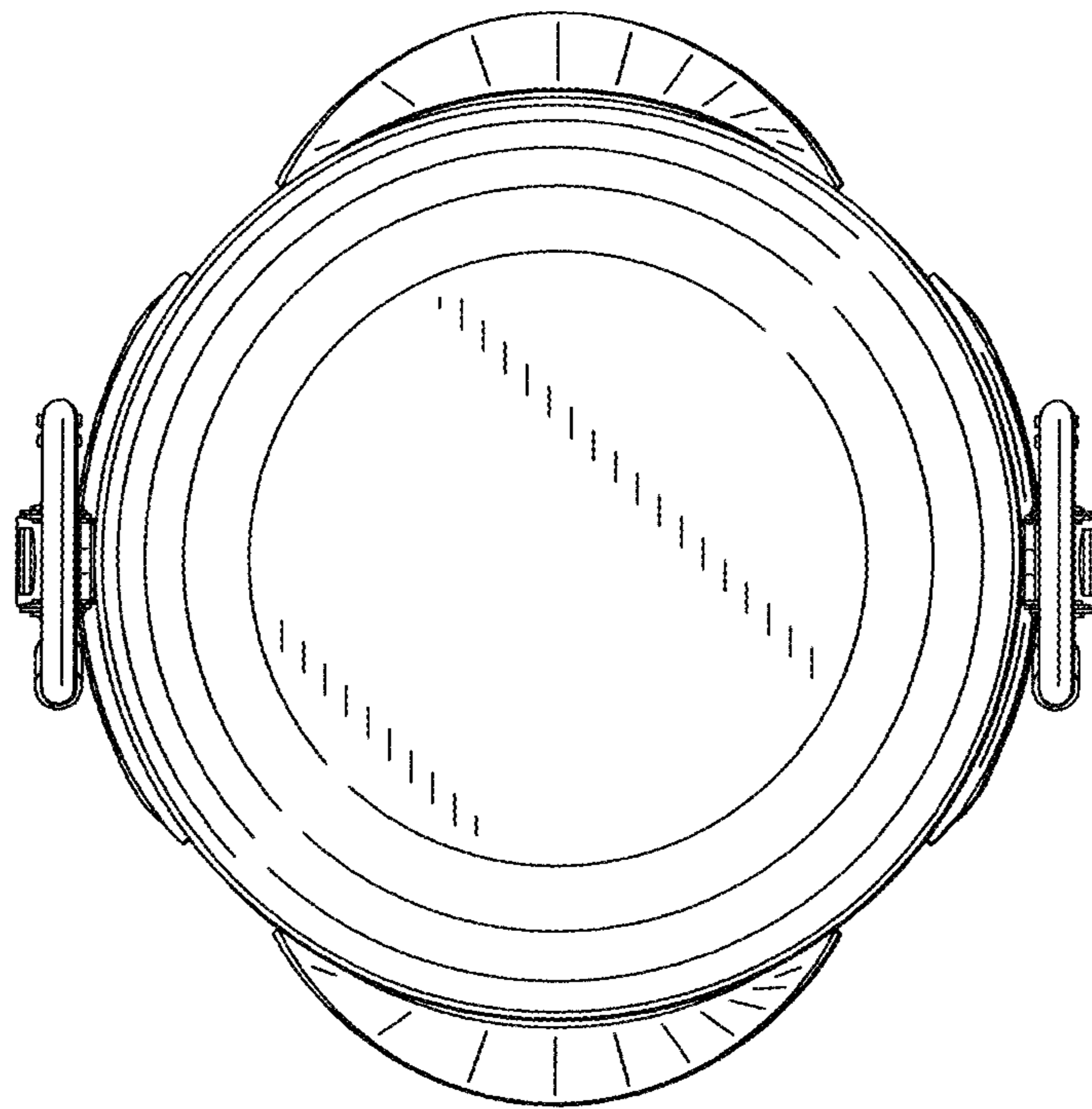


FIG. 6

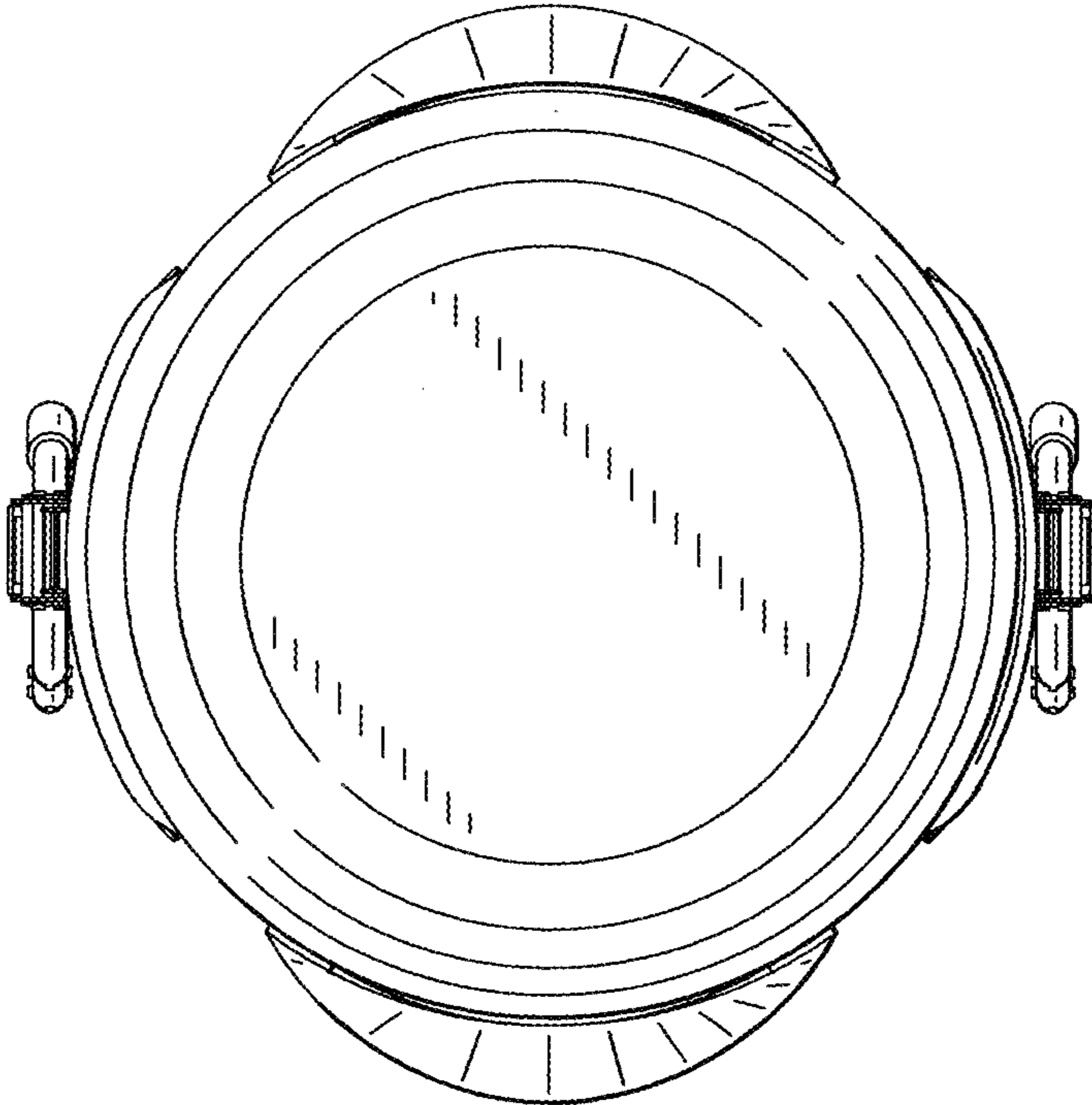


FIG. 7