



US00D758687S

(12) **United States Design Patent**
Shitrit et al.

(10) **Patent No.:** **US D758,687 S**
(45) **Date of Patent:** **** Jun. 7, 2016**

- (54) **TROLLEY** 4,896,897 A * 1/1990 Wilhelm B62B 1/002
280/47.2
- (71) Applicant: **The Stanley Works Israel Ltd., Rosh** 5,257,800 A * 11/1993 Yang B62B 1/125
Ha' Ayin (IL) 280/47.29
- (72) Inventors: **Elad Hay Shitrit, Tel Aviv (IL); Danny** 5,464,244 A * 11/1995 Tsai B62B 1/125
Baruch, Lapid (IL) 280/47.24
- (73) Assignee: **The Stanley Works Israel Ltd., Rosh** D396,924 S * 8/1998 Cardenas D34/15
Ha' Ayin (IL) D399,625 S * 10/1998 Murphy D34/17
7,513,511 B2 * 4/2009 Chaseateau B62B 1/002
280/43.1

(Continued)

- (**) Term: **14 Years**
- (21) Appl. No.: **29/502,066**
- (22) Filed: **Sep. 11, 2014**

Primary Examiner — Cynthia Ramirez
Assistant Examiner — Gino Colan
(74) *Attorney, Agent, or Firm* — Gabriel A. Haboubi

(30) **Foreign Application Priority Data**

Mar. 19, 2014 (CN) 2014 3 0055650

- (51) **LOC (10) Cl.** **12-02**
- (52) **U.S. Cl.**
USPC **D34/12**
- (58) **Field of Classification Search**
USPC D24/12-27; 280/5.32, 47.12, 47.2,
280/47.315, 40, 35, 38, 47.17, 47.18, 47.24,
280/47.27, 47.29, 42, 63, 65, 5, 638, 641,
280/645, 646, 651, 652, 654, 39
CPC B62B 3/02; B62B 2205/003; B62B 3/027;
B62B 1/12; B62B 5/00; B62B 1/208
See application file for complete search history.

(56) **References Cited**

U.S. PATENT DOCUMENTS

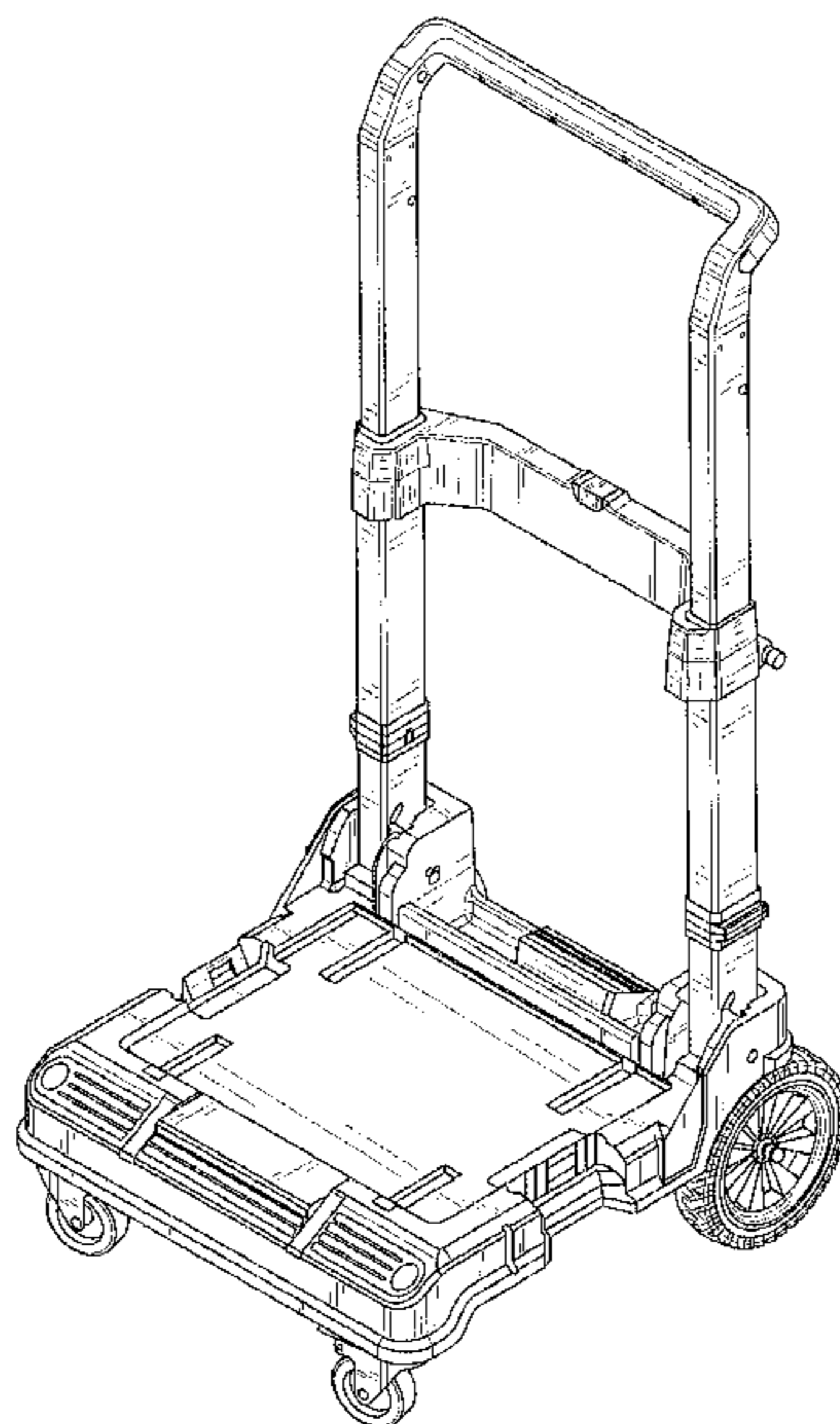
- 3,998,476 A * 12/1976 Kazmark, Sr. B62B 1/125
16/113.1
- 4,458,914 A * 7/1984 Holtz B62B 1/125
108/13

(57) **CLAIM**
The ornamental design for a trolley, as shown and described.

DESCRIPTION

FIG. 1 is a perspective view of a trolley showing our new design in an open position;
FIG. 2 is a front elevational view thereof design in an open position;
FIG. 3 is a rear elevational view thereof in an open position;
FIG. 4 is a right elevational view thereof in an open position;
FIG. 5 is a left elevational view thereof in an open position;
FIG. 6 is a top plan view thereof in an open position;
FIG. 7 is a bottom plan view thereof in an open position;
FIG. 8 is a perspective view of our new design in a closed position;
FIG. 9 is a rear elevational view thereof in a closed position;
FIG. 10 is a front elevational view thereof in a closed position;
FIG. 11 is a right elevational view thereof in a closed position;
FIG. 12 is a left elevational view thereof in a closed position;
FIG. 13 is a top plan view thereof in a closed position; and,
FIG. 14 is a bottom plan view thereof in a closed position.

1 Claim, 14 Drawing Sheets



US D758,687 S

Page 2

(56)

References Cited

U.S. PATENT DOCUMENTS

7,607,680 B2 *	10/2009	Li	B62B 1/125	280/47.24
2002/0096862 A1 *	7/2002	Fang	A45C 13/385	280/652
2003/0038007 A1 *	2/2003	Han	A45C 13/262	190/115
2006/0261564 A1 *	11/2006	Chuang	B62B 1/125	280/47.27
2015/0208780 A1 *	7/2015	Avery	A45C 13/385	280/652

* cited by examiner

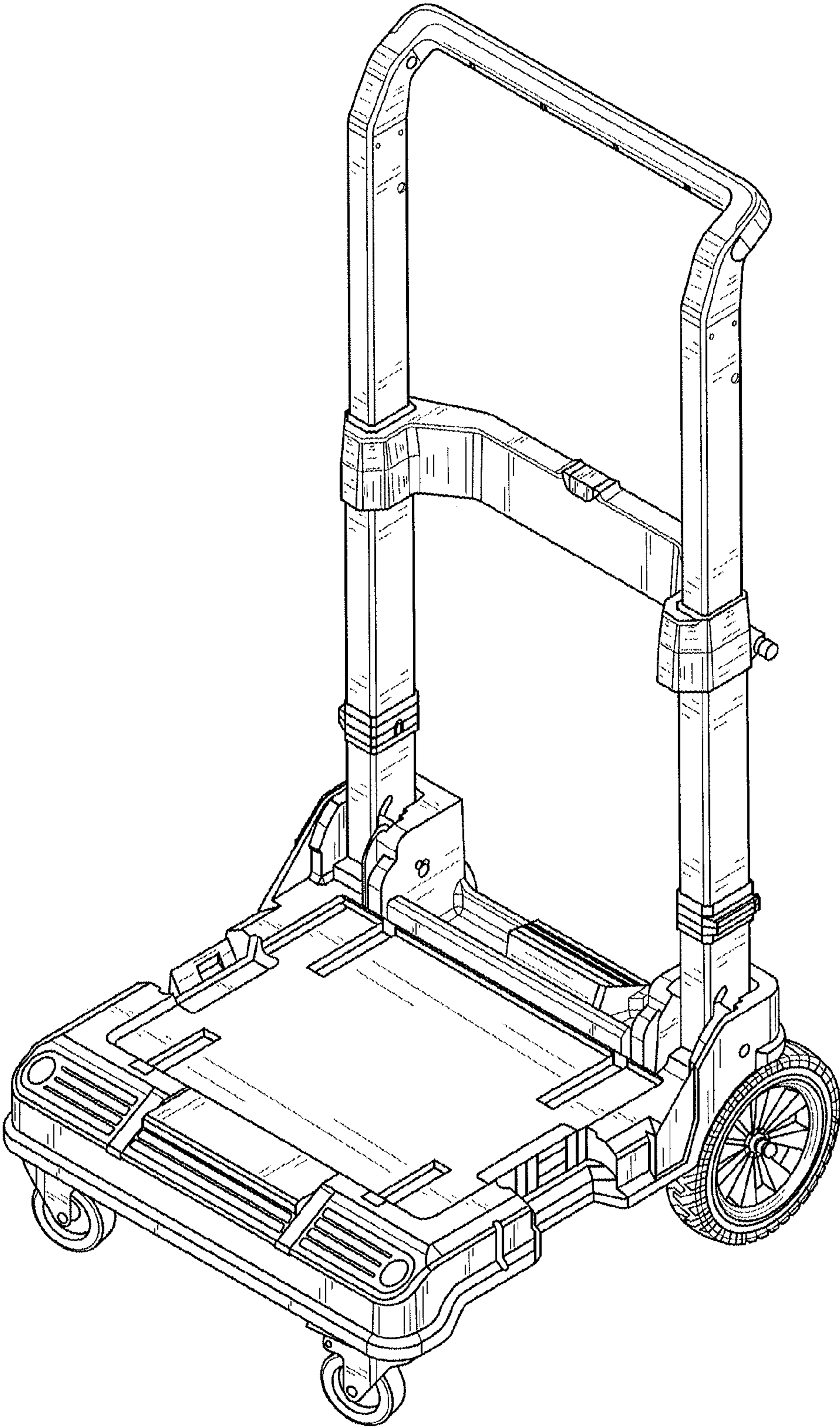


FIG. 1

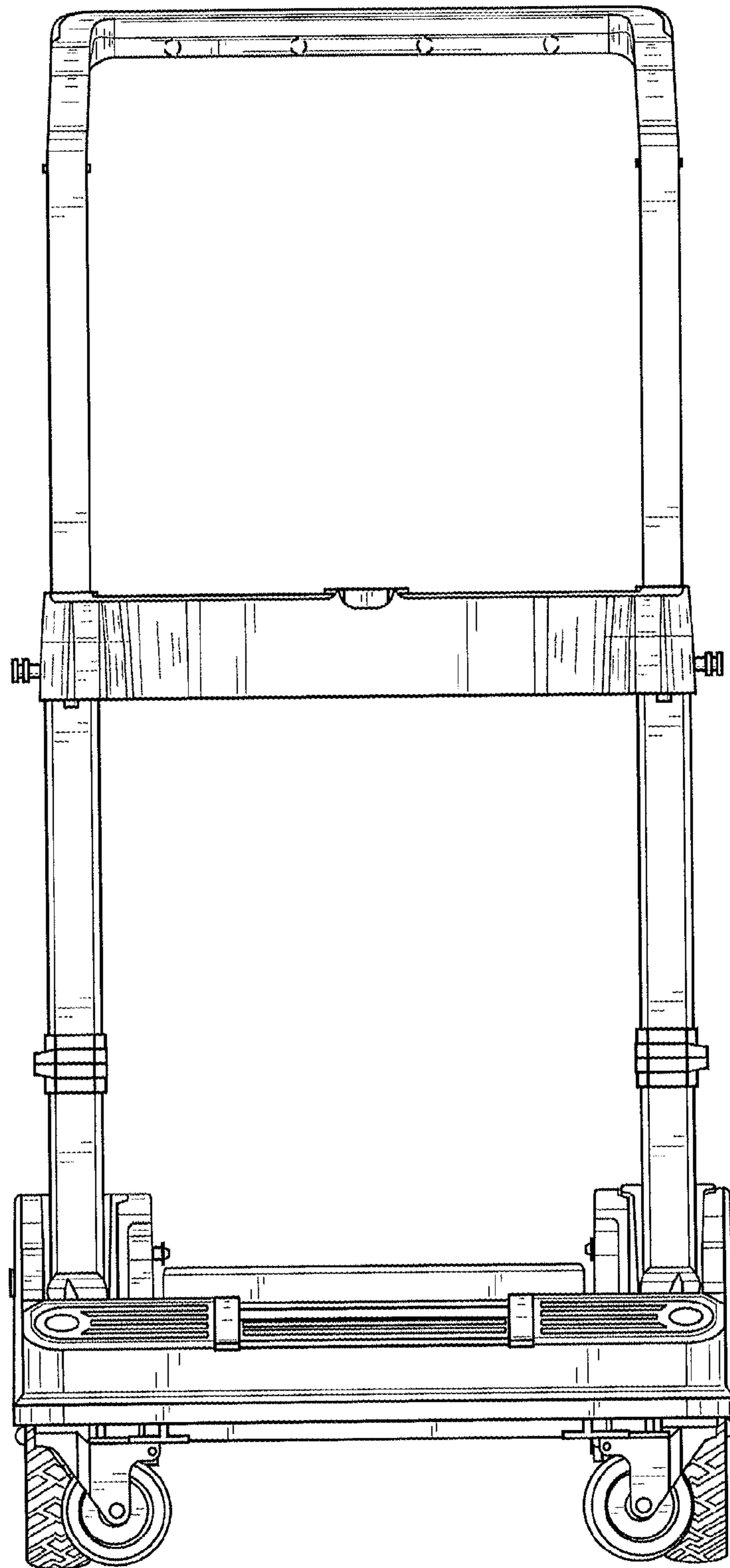


FIG. 2

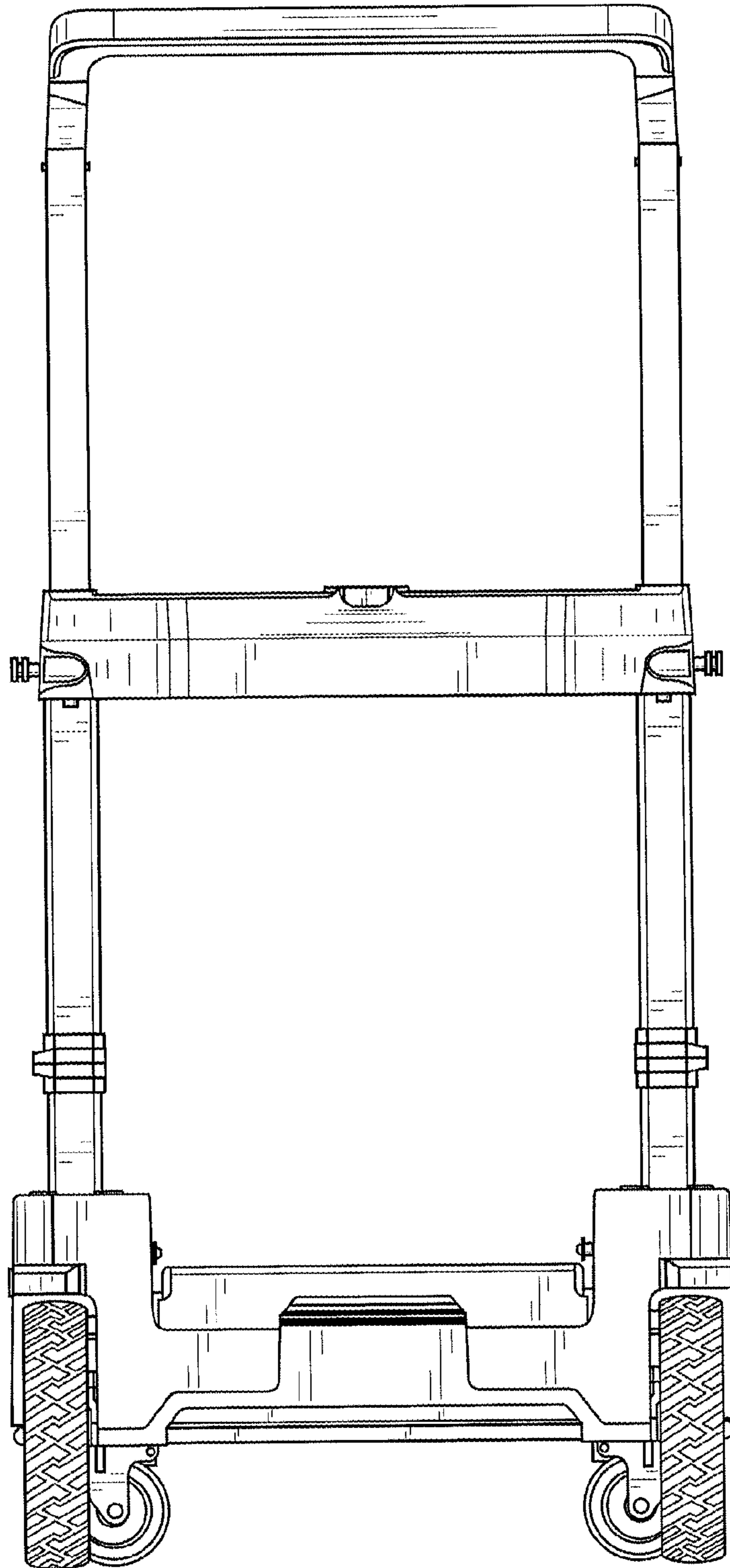


FIG. 3

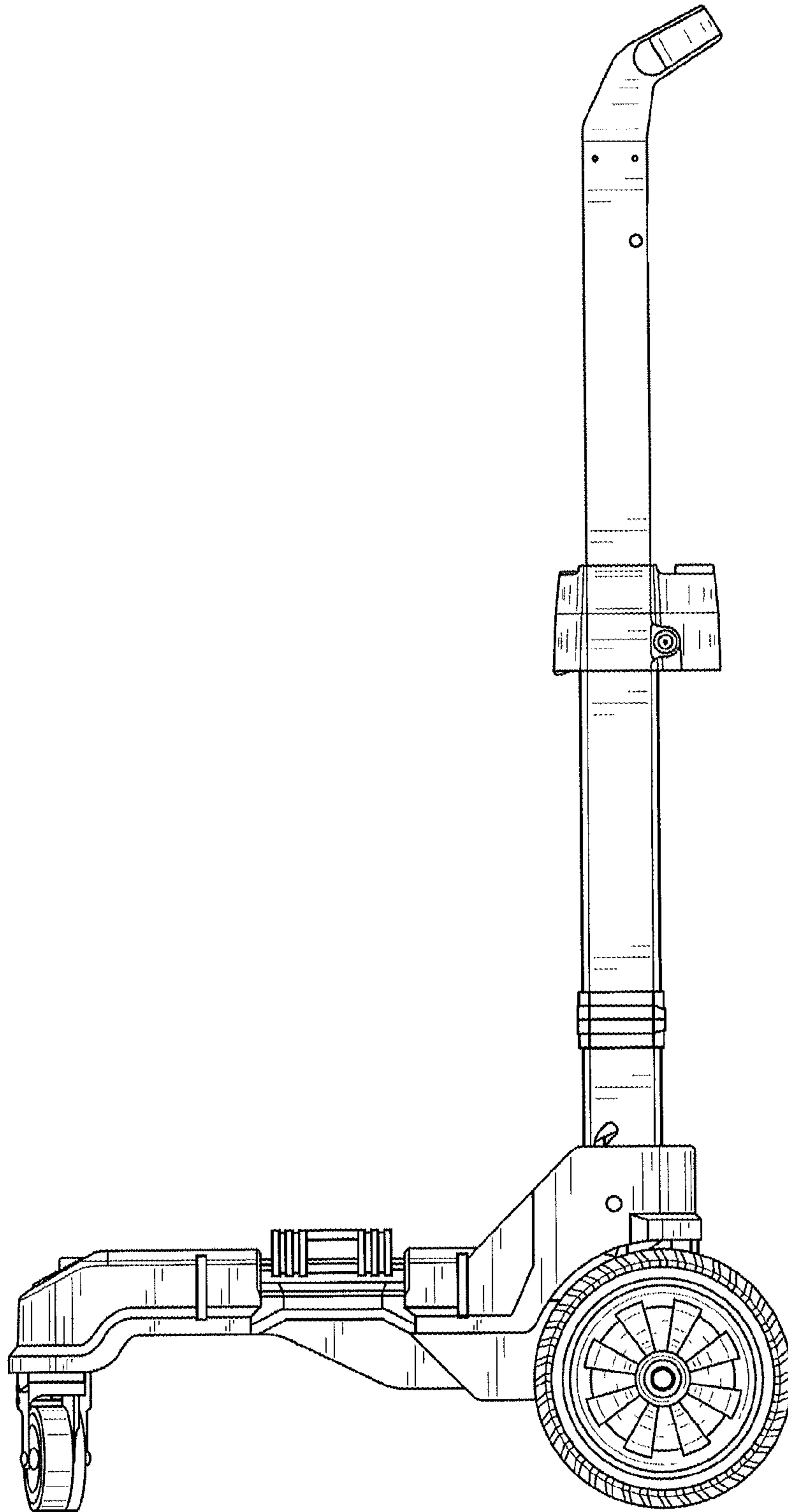


FIG. 4

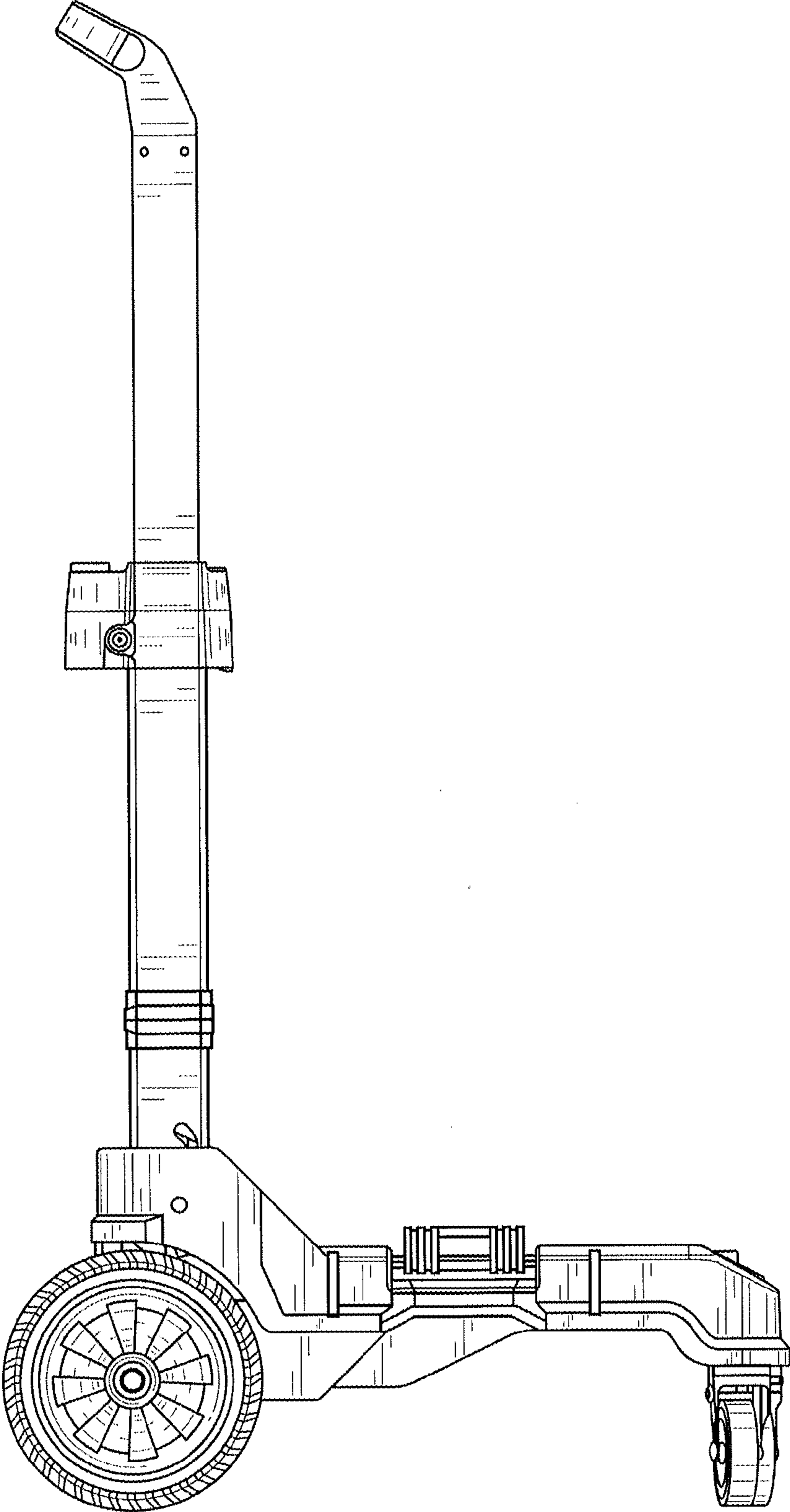


FIG. 5

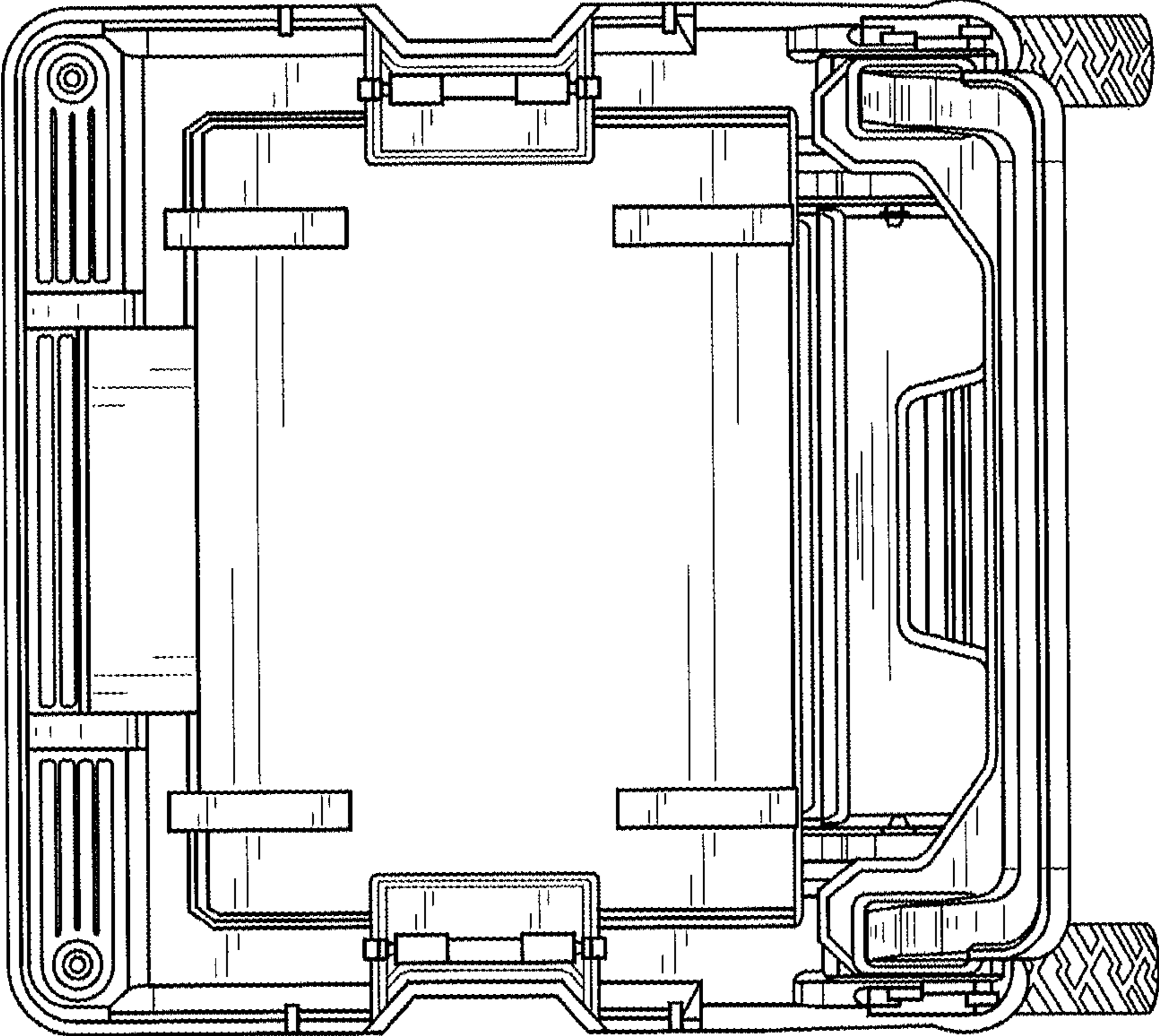


FIG. 6

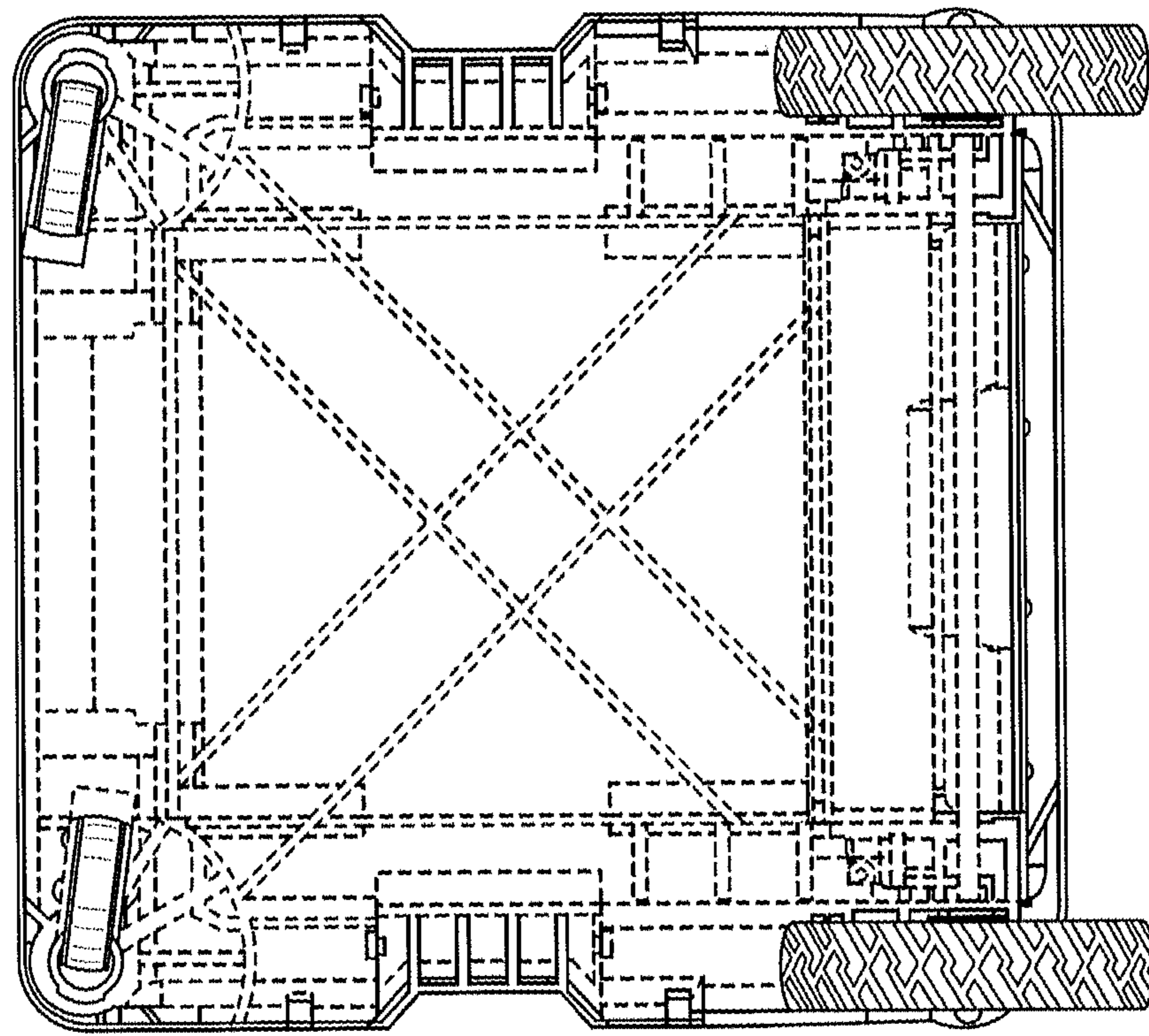


FIG. 7

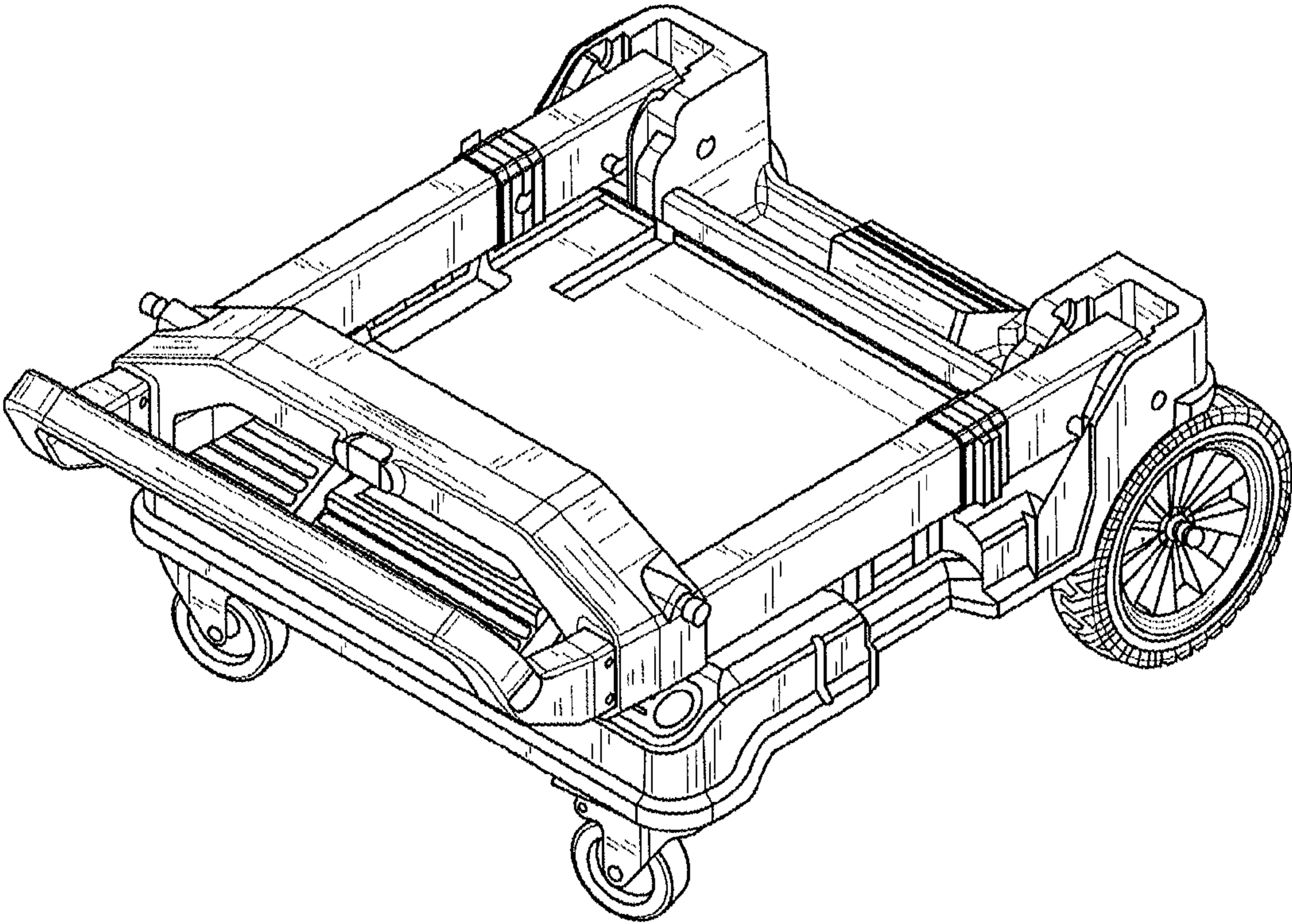


FIG. 8

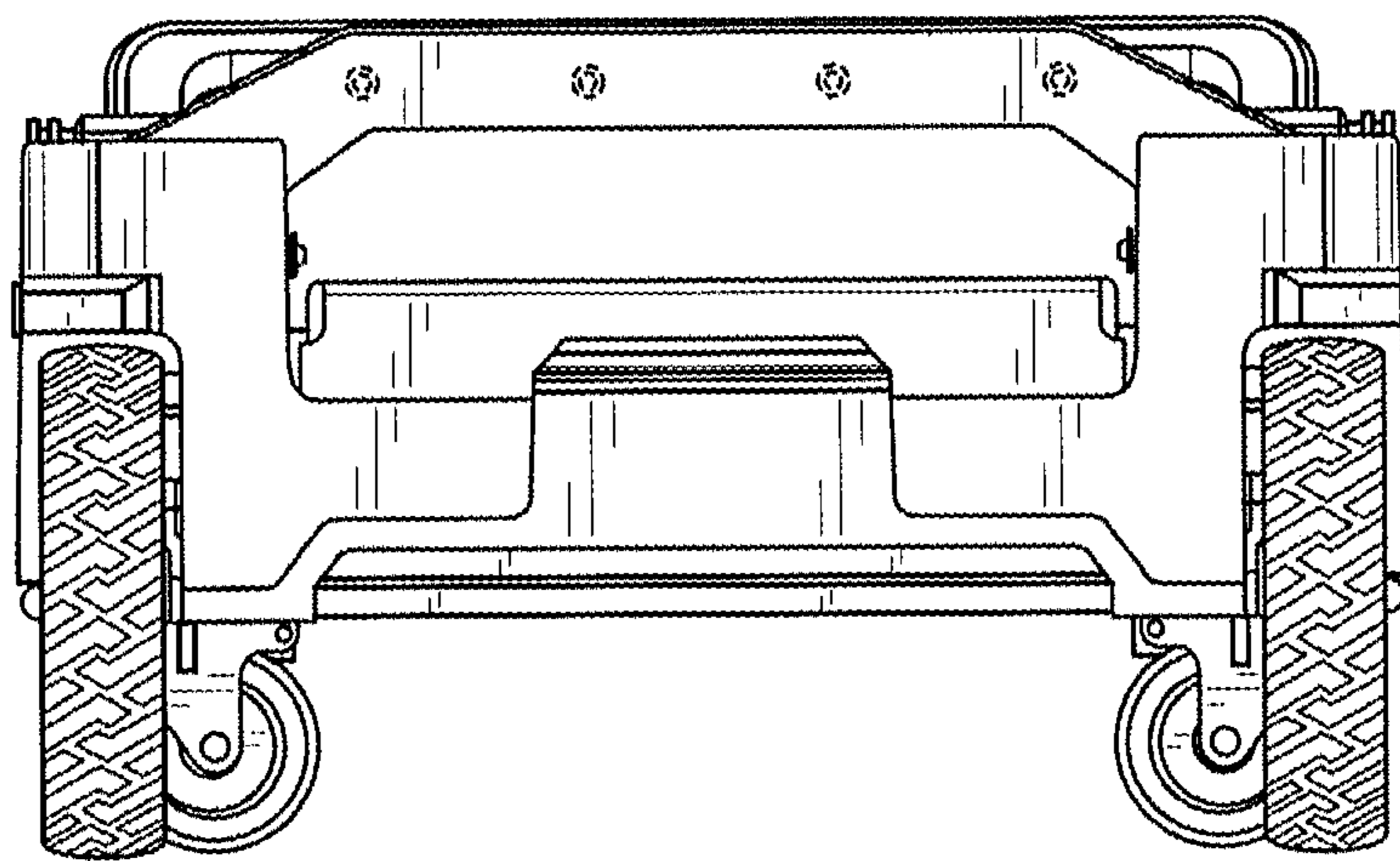


FIG. 9

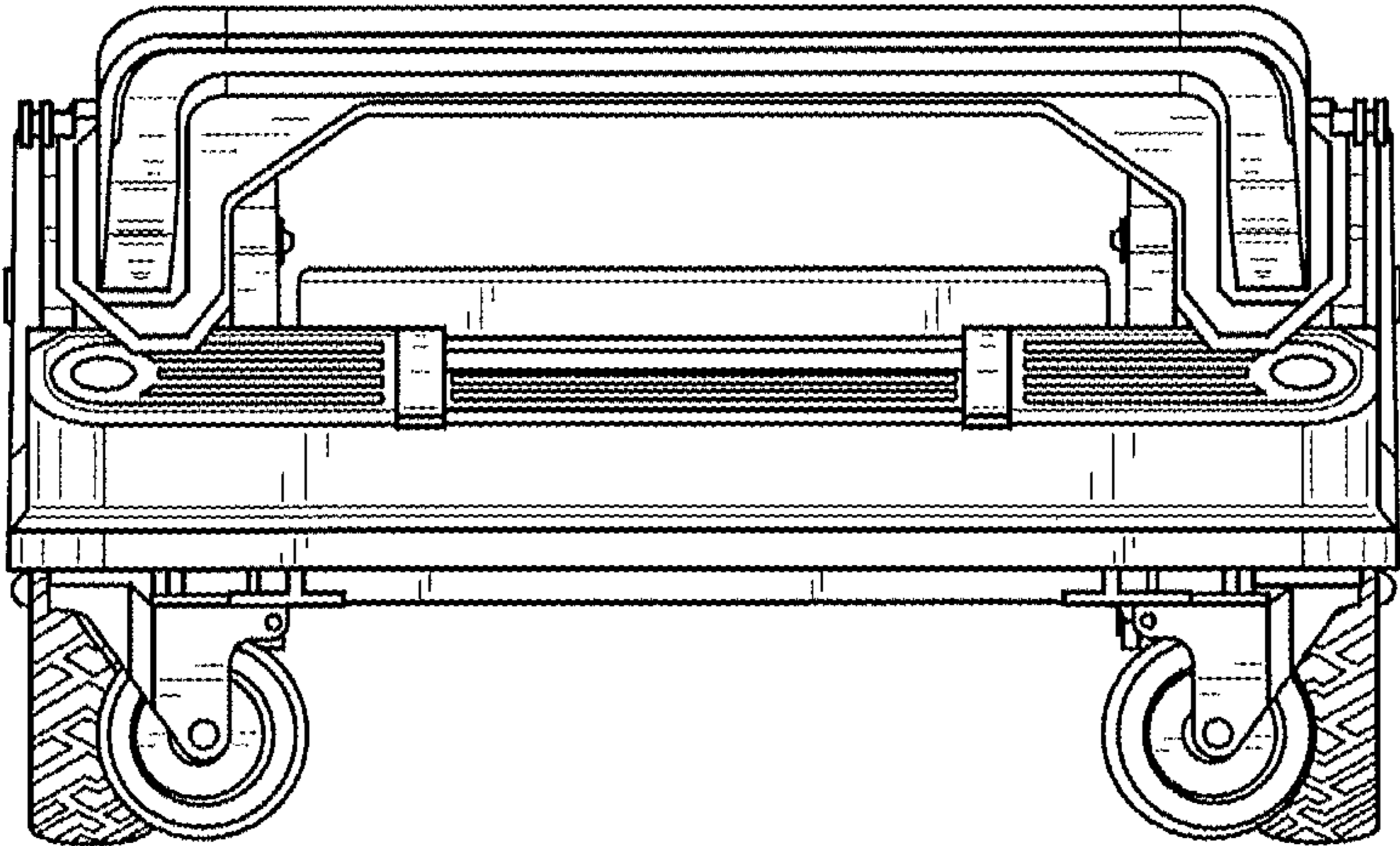


FIG. 10

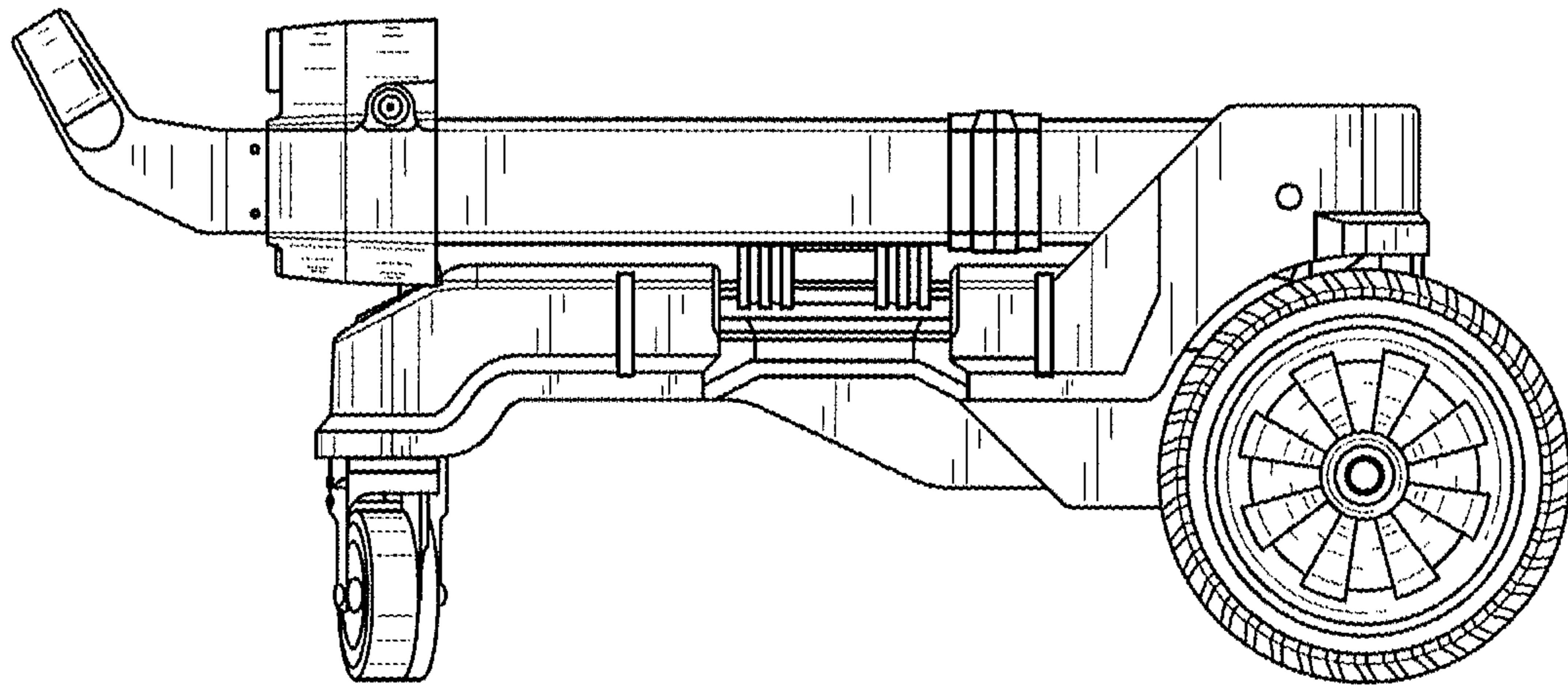


FIG. 11

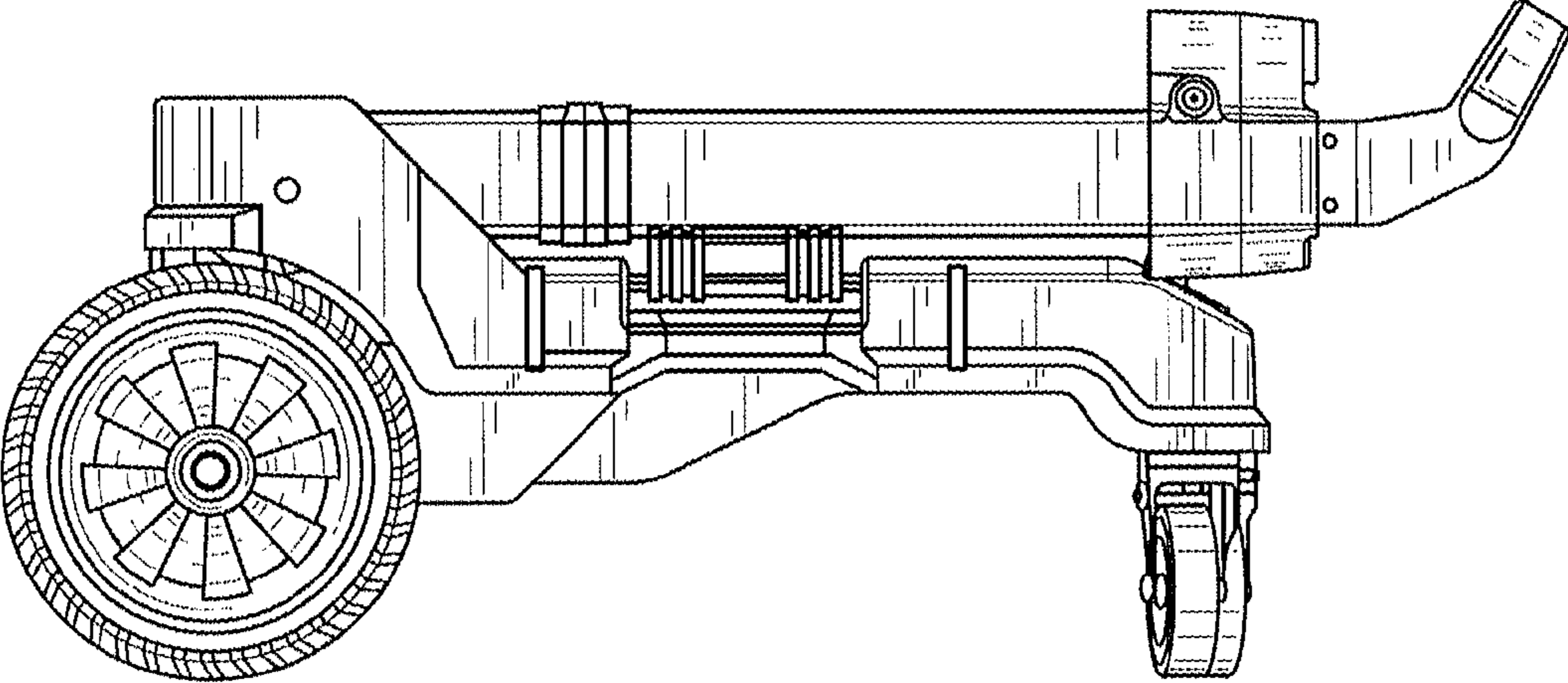


FIG. 12

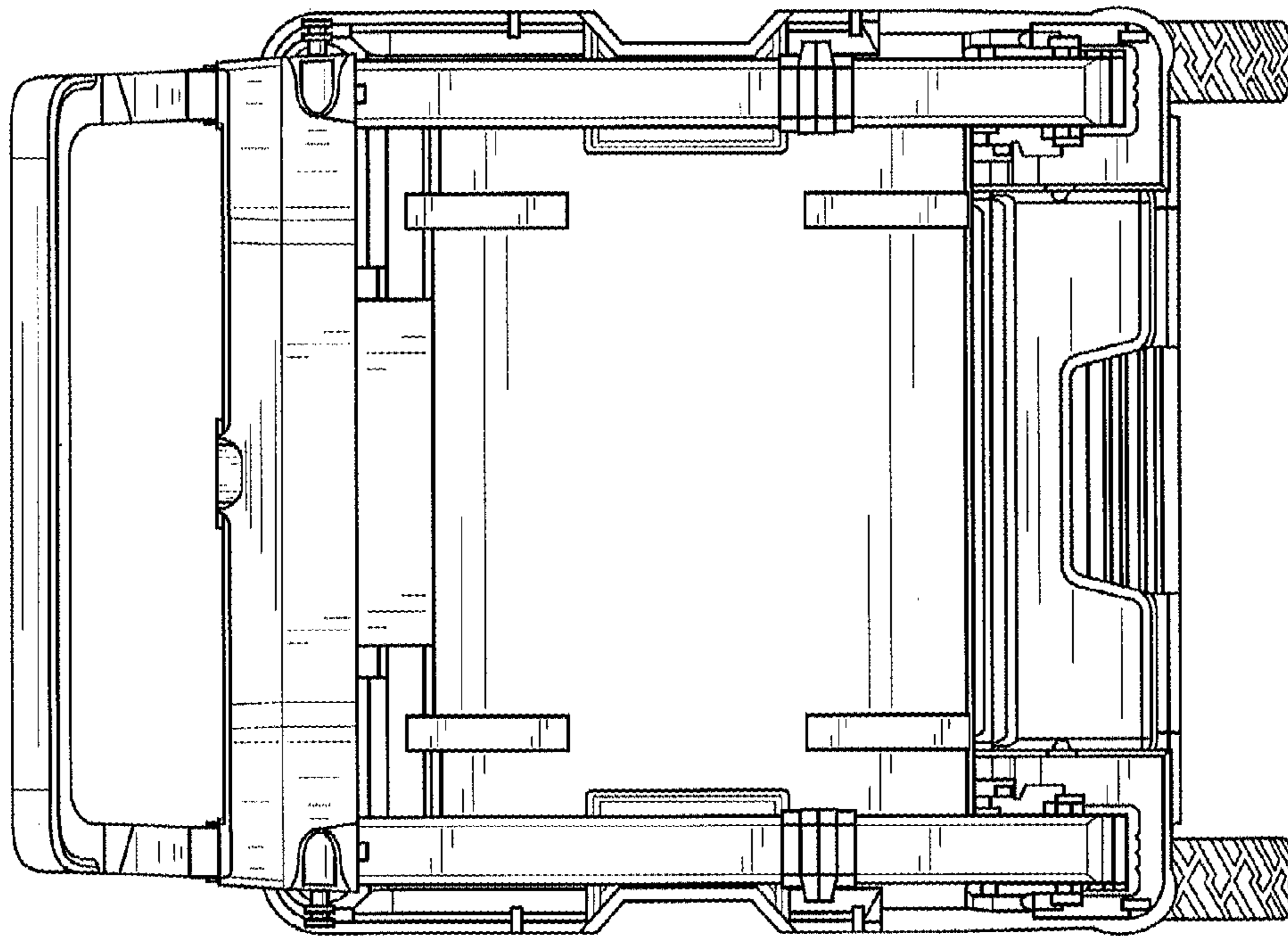


FIG. 13

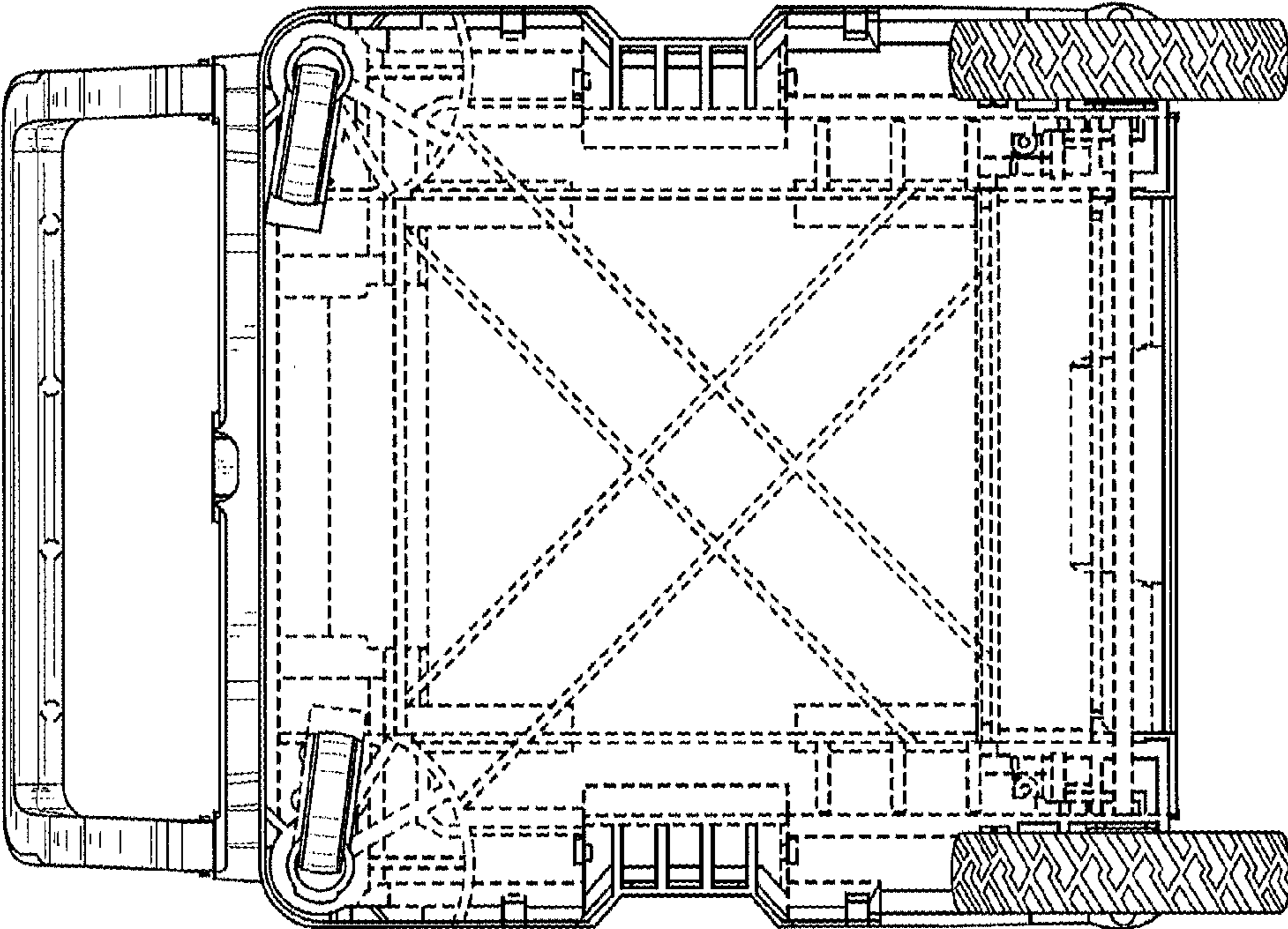


FIG. 14