



US00D758685S

(12) **United States Design Patent**  
**Liedtke**

(10) **Patent No.:** **US D758,685 S**  
(45) **Date of Patent:** **\*\* Jun. 7, 2016**

- (54) **BUCKET RETAINER**
- (71) Applicant: **Richard E. Liedtke**, Coal Valley, IL (US)
- (72) Inventor: **Richard E. Liedtke**, Coal Valley, IL (US)
- (\*\*) Term: **14 Years**
- (21) Appl. No.: **29/522,153**
- (22) Filed: **Mar. 27, 2015**

6,845,865	B2 *	1/2005	Wynalda, Jr. ....	G11B 33/0494
				206/308.1
7,178,766	B2	2/2007	Forshee et al.	
D548,417	S	8/2007	Kohn	
D616,294	S *	5/2010	Britt .....	D9/414
7,708,242	B1 *	5/2010	Petrashune .....	B44D 3/14
				D3/14
D622,997	S *	9/2010	Wynalda, Jr. ....	D6/632
D642,414	S *	8/2011	Wynalda, Jr. ....	D6/407
D646,918	S *	10/2011	Wynalda, Jr. ....	D6/407
D661,579	S *	6/2012	Nylander .....	D9/435
D699,143	S *	2/2014	Xu .....	D11/3
D714,672	S *	10/2014	Park .....	D11/3
D739,780	S *	9/2015	Akana .....	D11/3
D742,741	S *	11/2015	Rossiter .....	D9/433
2003/0146352	A1 *	8/2003	Zagorsky .....	B01F 15/00733
				248/146

**Related U.S. Application Data**

- (63) Continuation of application No. 13/594,992, filed on Aug. 27, 2012, now abandoned.
- (51) **LOC (10) Cl.** ..... **07-07**
- (52) **U.S. Cl.**  
USPC ..... **D32/54**
- (58) **Field of Classification Search**  
USPC ..... D7/388, 392.1, 396.1, 500, 543;  
D9/414, 432-436, 438, 440, 443-445,  
D9/447, 449, 499, 517, 529; D11/3, 4;  
D32/54; 248/146, 346.04  
CPC ..... B01F 2215/005; B44D 3/14  
See application file for complete search history.

\* cited by examiner

*Primary Examiner* — Robert M Spear  
*Assistant Examiner* — Darcey E Heflin  
 (74) *Attorney, Agent, or Firm* — Robert C. Montgomery;  
 Montgomery Patent and Design, LLC.

(57) **CLAIM**  
 The ornamental design for a bucket retainer, as shown and described.

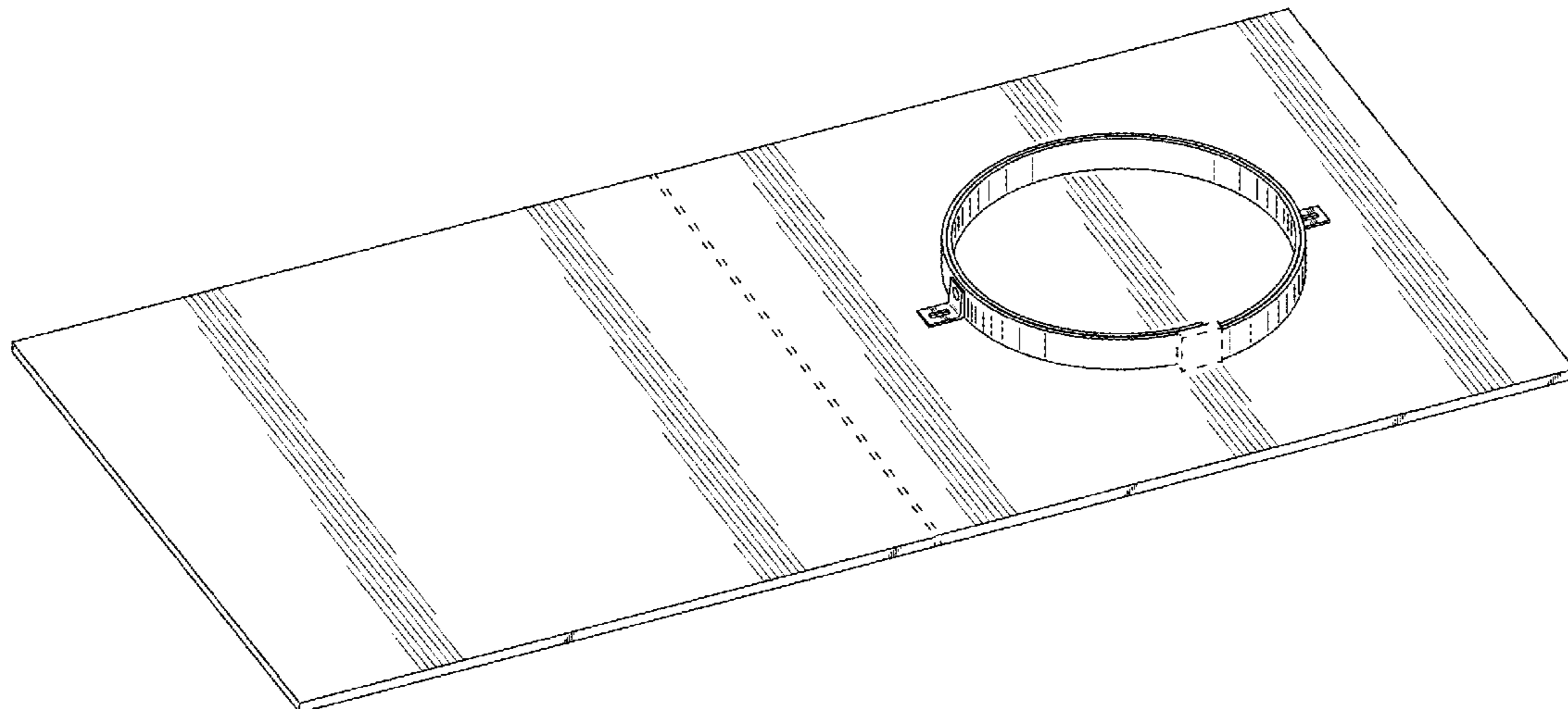
**DESCRIPTION**

FIG. 1 is a perspective front view of bucket retainer, showing my new design;  
 FIG. 2 is a front side view with the back side view being a mirror image thereof;  
 FIG. 3 is a left side view thereof;  
 FIG. 4 is a right side view thereof;  
 FIG. 5 is a top side view thereof; and,  
 FIG. 6 is a bottom side view thereof.  
 In the drawings, the broken lines represent unclaimed environmental subject matter and form no part of the claim.

**1 Claim, 6 Drawing Sheets**

(56) **References Cited**  
**U.S. PATENT DOCUMENTS**

1,912,728	A	6/1933	Roe
2,936,926	A	5/1960	Miller
3,414,311	A	12/1968	Trimboli
3,642,239	A	2/1972	Zeiler, Jr.
3,831,209	A	8/1974	Clingman
4,998,696	A	3/1991	Desjardins
D383,271	S	9/1997	Eshelman
6,464,184	B1	10/2002	Lytle
D474,404	S	5/2003	Tropeano



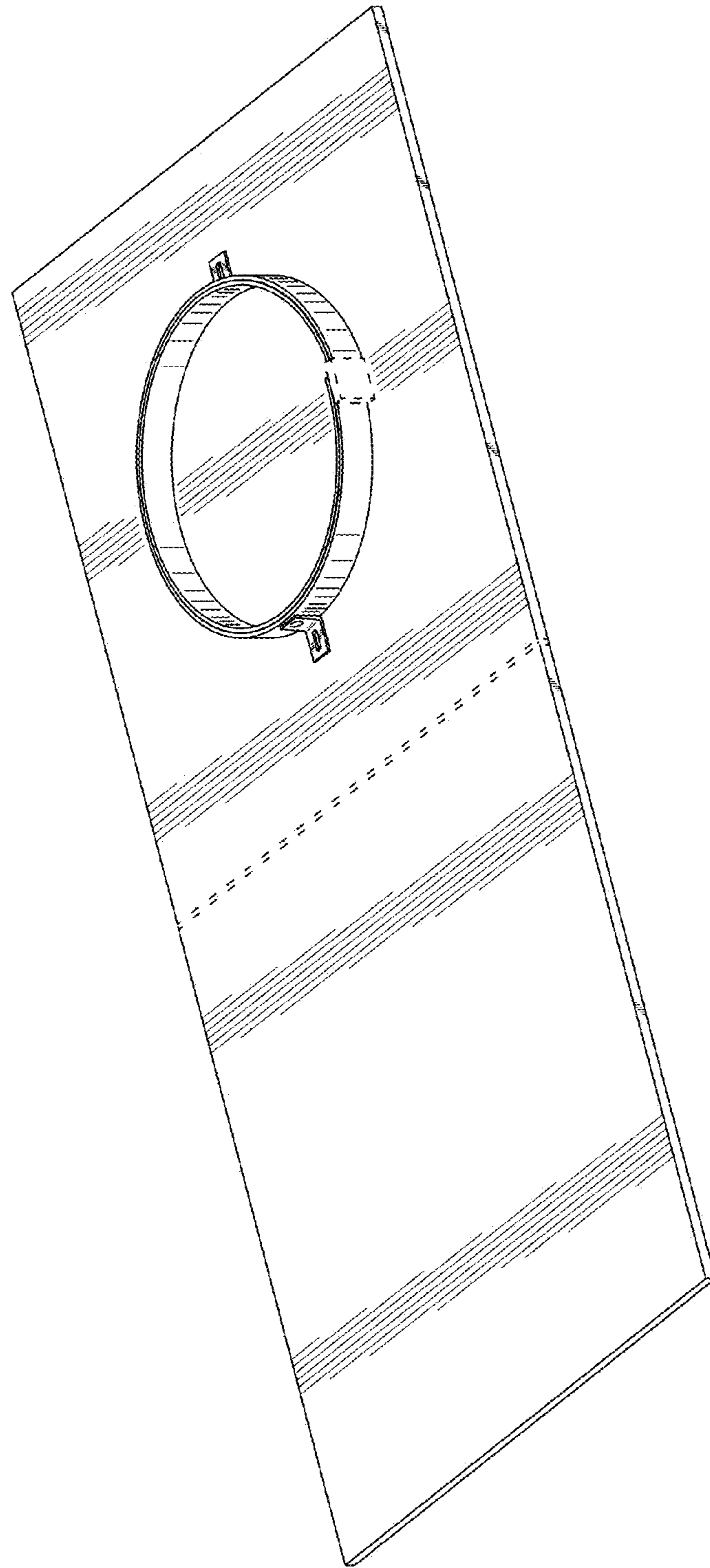


Fig. 1

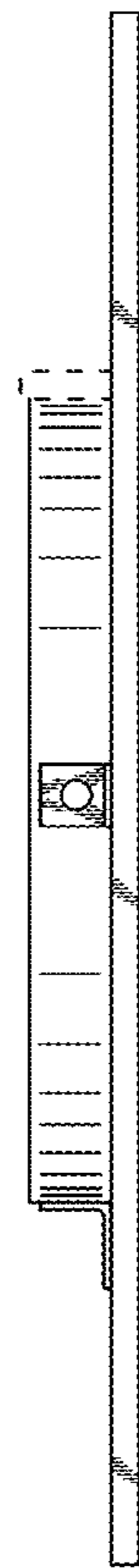


Fig. 2

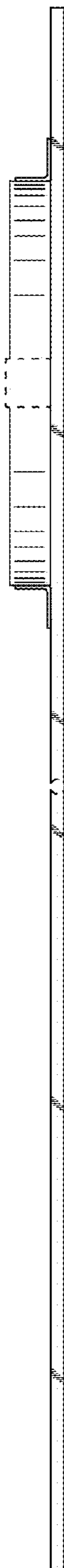


Fig. 3



Fig. 4

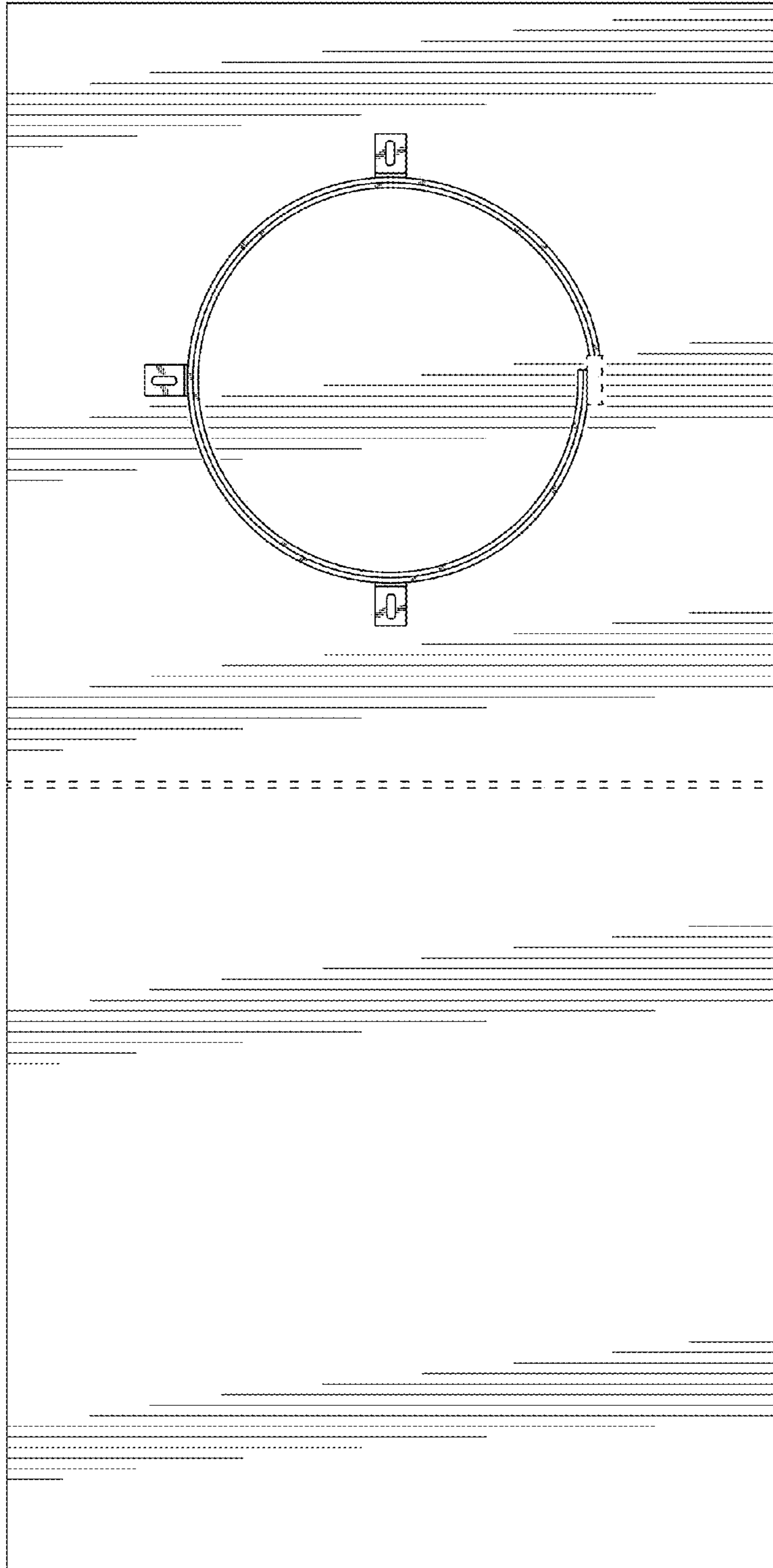


Fig. 5

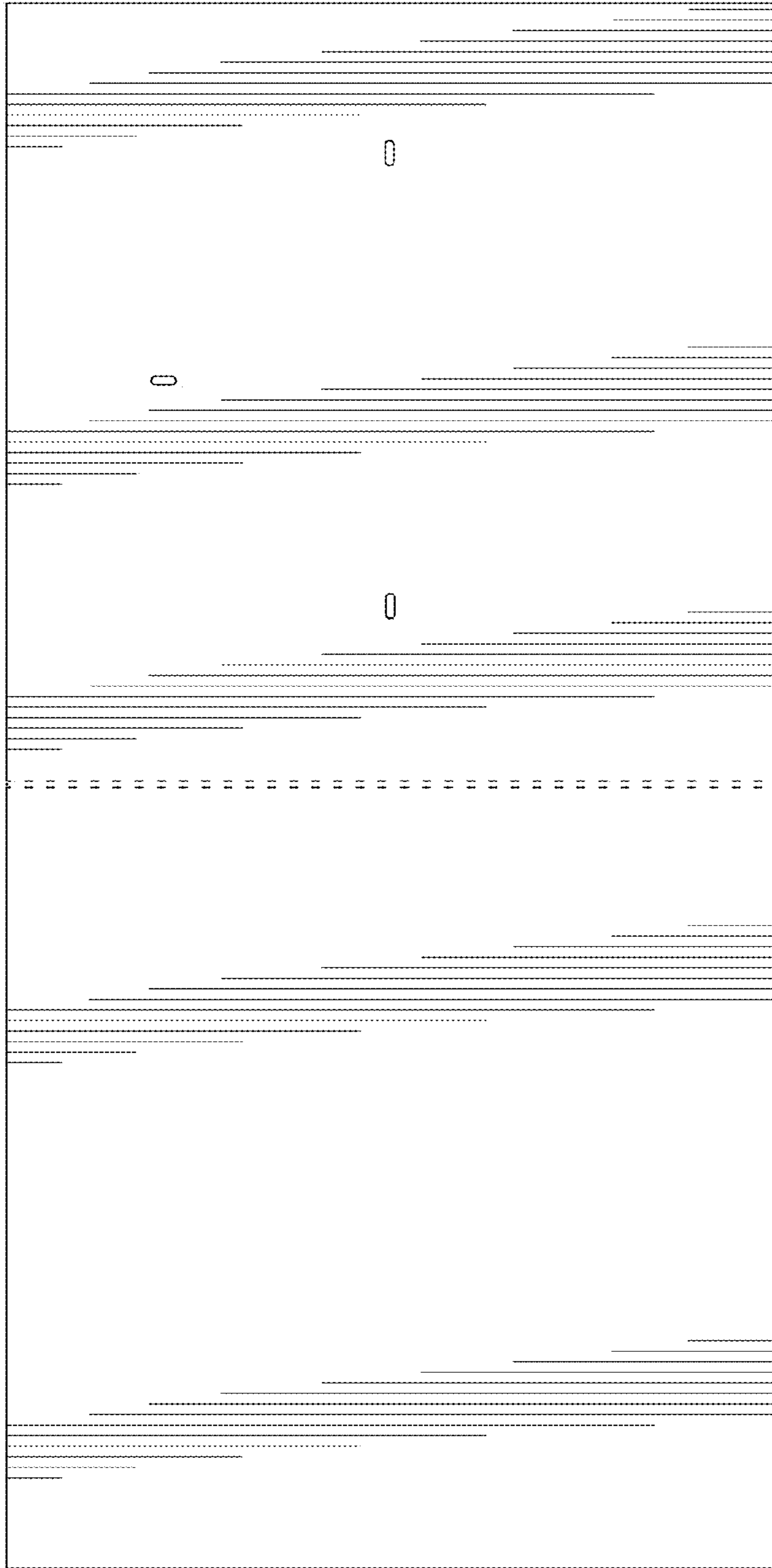


Fig. 6