



US00D758684S

(12) **United States Design Patent**
Lawson et al.

(10) **Patent No.:** **US D758,684 S**
(45) **Date of Patent:** **** Jun. 7, 2016**

(54) **GRILL SCRAPER**

(71) Applicants: **Michael C. Lawson**, West Linn, OR
(US); **Margaret Lawson**, West Linn, OR
(US)

(72) Inventors: **Michael C. Lawson**, West Linn, OR
(US); **Margaret Lawson**, West Linn, OR
(US)

(**) Term: **14 Years**

(21) Appl. No.: **29/506,960**

(22) Filed: **Oct. 22, 2014**

(51) **LOC (10) Cl.** **08-05**

(52) **U.S. Cl.**
USPC **D32/48**; D32/49

(58) **Field of Classification Search**
USPC D8/33, 47, 90, 93; D32/40-42, 46-49;
D7/693-694, 682; D24/146-147;
D21/370, 377
CPC A01G 23/12; A01F 11/06; A47L 13/08;
A47L 15/0081; A47J 43/288; A46B 15/0002;
A46B 15/0055; B26B 21/52; B67B 7/30
See application file for complete search history.

(56) **References Cited**

U.S. PATENT DOCUMENTS

- 1,149,773 A * 8/1915 Lackermann A47L 13/08
30/169
- 1,647,751 A * 11/1927 Schacht A47L 13/08
15/245
- 1,696,076 A * 12/1928 Bruni A47L 13/08
15/105
- 1,827,121 A * 10/1931 Trane A47L 1/06
15/121
- 1,898,747 A * 2/1933 Schacht A47L 13/08
30/169
- D108,131 S * 1/1938 Reid D32/48
- D172,537 S * 7/1954 Hill 15/236.01
- D177,031 S * 3/1956 Gilchrist et al. D32/41
- 3,173,206 A * 3/1965 Chambers B23D 79/06
30/169

- D232,344 S * 8/1974 Momcilovich D32/48
- 3,968,535 A * 7/1976 Nichols, Jr. A47L 23/04
15/105
- D312,339 S * 11/1990 Nero, III D32/40
- D312,520 S * 11/1990 Wilson D32/48
- D315,975 S * 4/1991 Huang D32/41
- D334,095 S * 3/1993 Beets 15/28
- D365,897 S * 1/1996 Pereira D32/46
- D396,910 S * 8/1998 Henke D32/48

(Continued)

FOREIGN PATENT DOCUMENTS

GB 4000088 * 11/2006

OTHER PUBLICATIONS

Amazon.com: Nemco (55825) Easy Grill Scraper, online, review date May 14, 2009, http://www.amazon.com/Nemco-55825-Easy-Grill-Scraper/dp/B0065MBGUA/ref=sr_1_2?ie=UTF8&qid=1455843122&sr=8-2&keywords=grill+scraper, site visited Feb. 18, 2016.*

Primary Examiner — John Windmuller
Assistant Examiner — John R Yeh
(74) *Attorney, Agent, or Firm* — Mark S Hubert

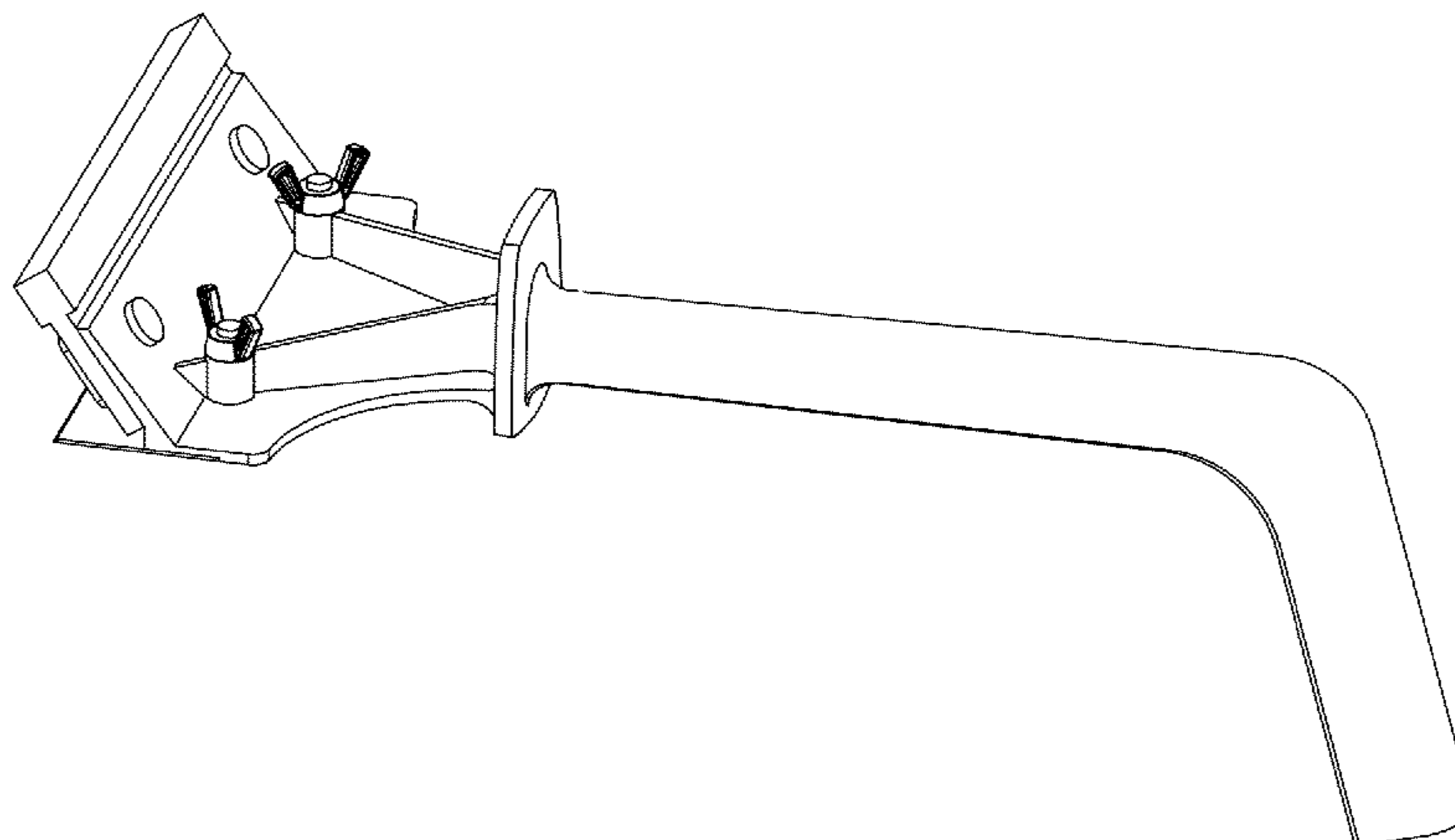
(57) **CLAIM**

We claim the ornamental design for the grill scraper, as shown and described.

DESCRIPTION

FIG. 1 is a perspective view of the grill scraper showing my new design;
FIG. 2 is a top view of the grill scraper;
FIG. 3 is a front view of the grill scraper;
FIG. 4 is a left-side view of the grill scraper;
FIG. 5 is a right-side view of the grill scraper;
FIG. 6 is a rear view of the grill scraper; and,
FIG. 7 is a bottom view of the grill scraper.
The broken lines in the figures represent portions of the grill scraper which form no part of the claimed design.

1 Claim, 3 Drawing Sheets



US D758,684 S

Page 2

(56)

References Cited

U.S. PATENT DOCUMENTS

D410,121 S * 5/1999 Schmidt D32/48
D470,985 S * 2/2003 Zemel D32/48

D523,198 S * 6/2006 Veltrop D32/49
8,096,723 B2 * 1/2012 Bae A47L 1/08
401/139
D745,674 S * 12/2015 Gaynor D24/141

* cited by examiner

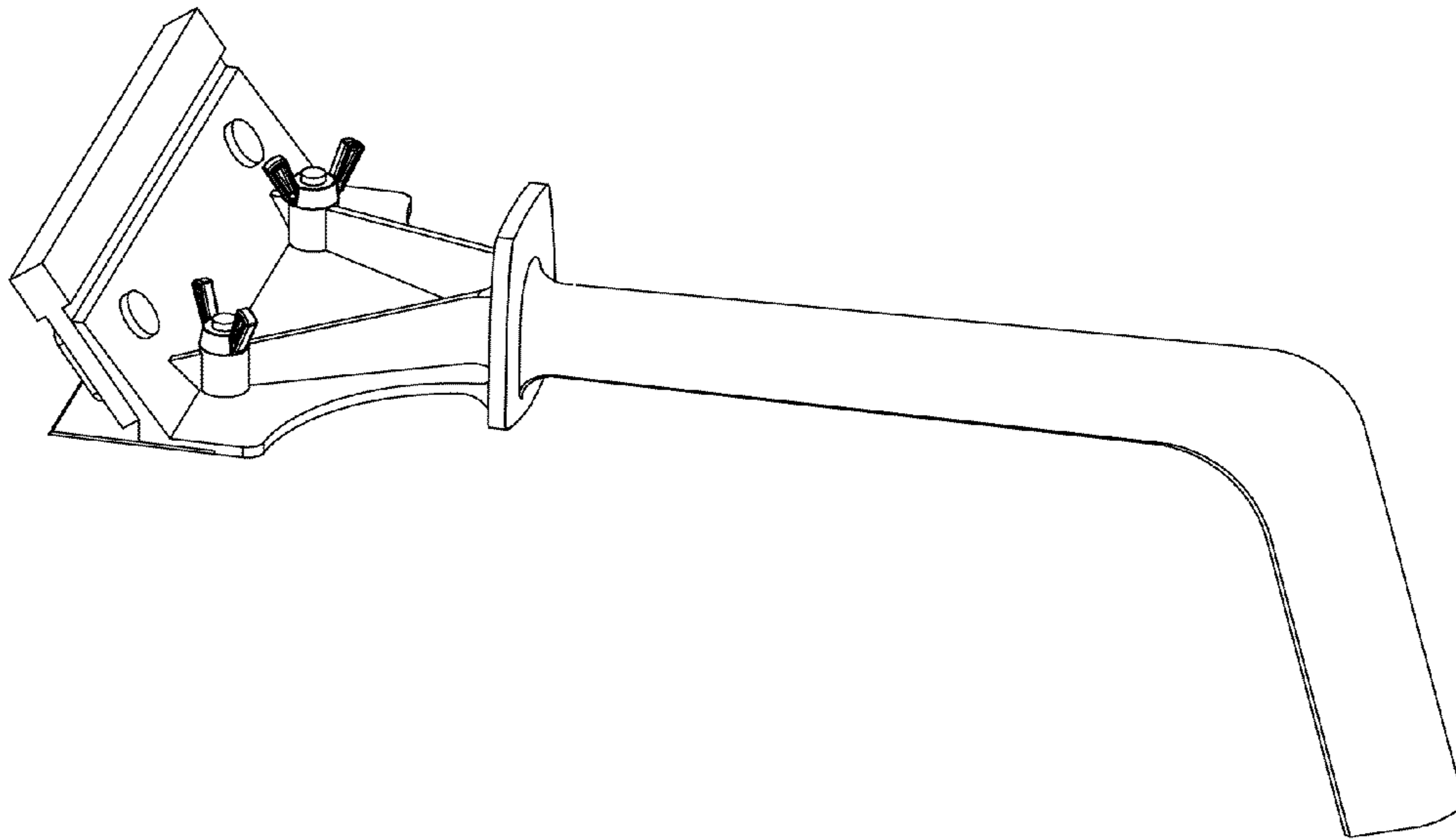


FIG. 1

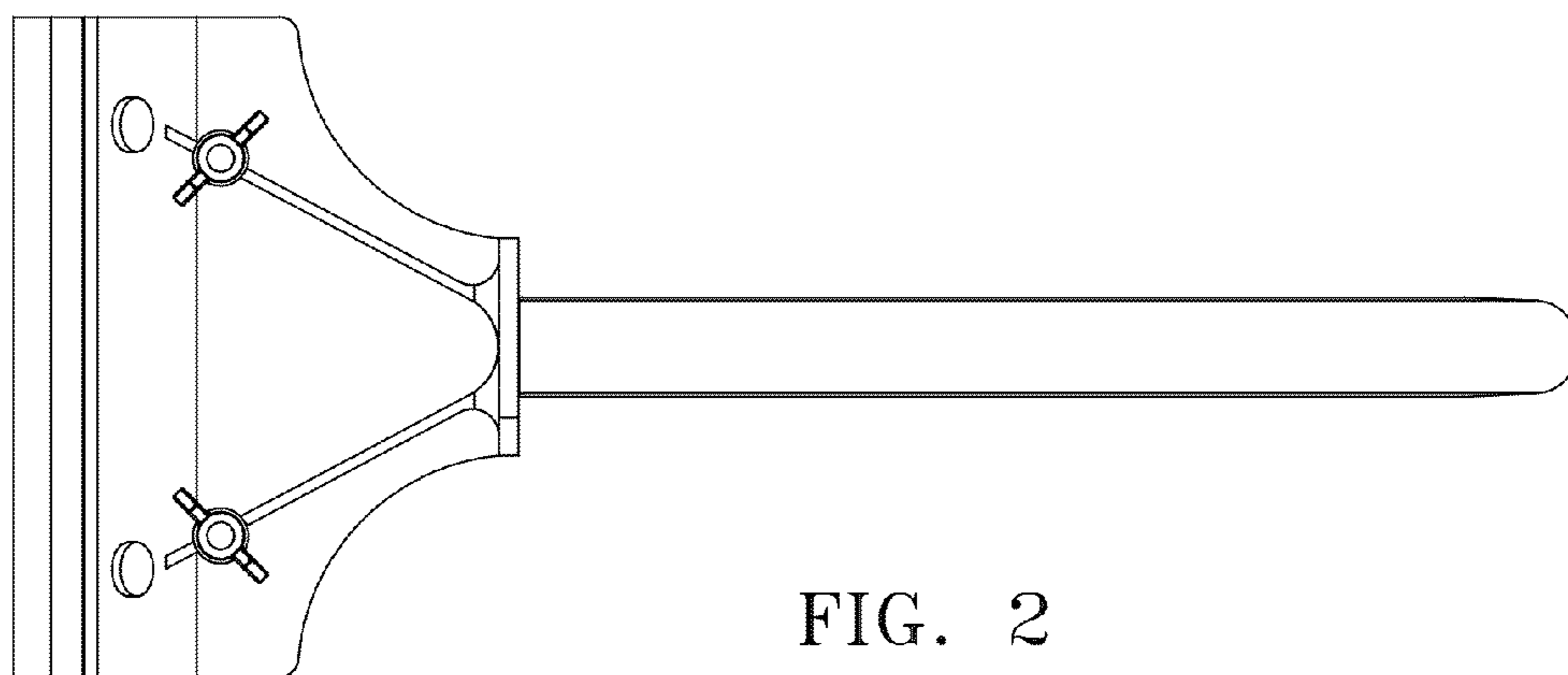


FIG. 2

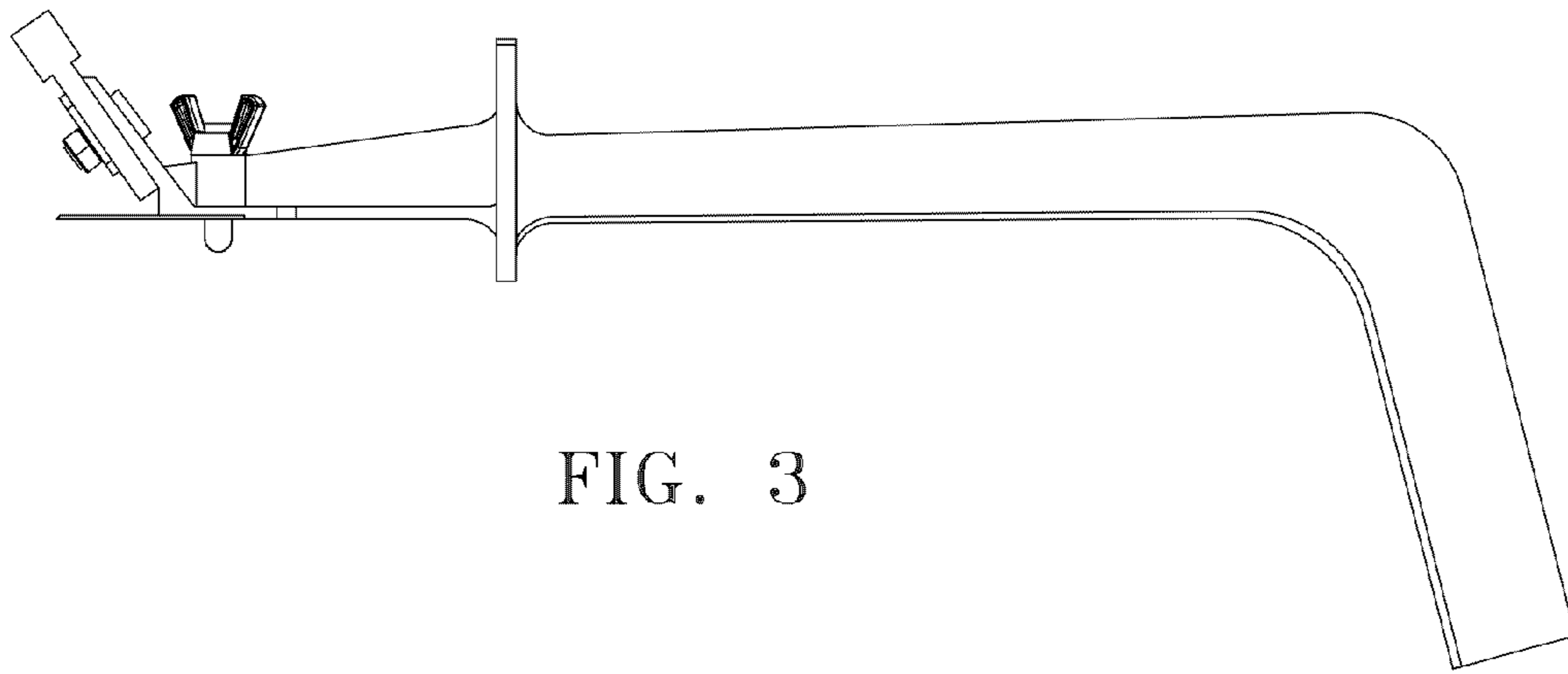


FIG. 3

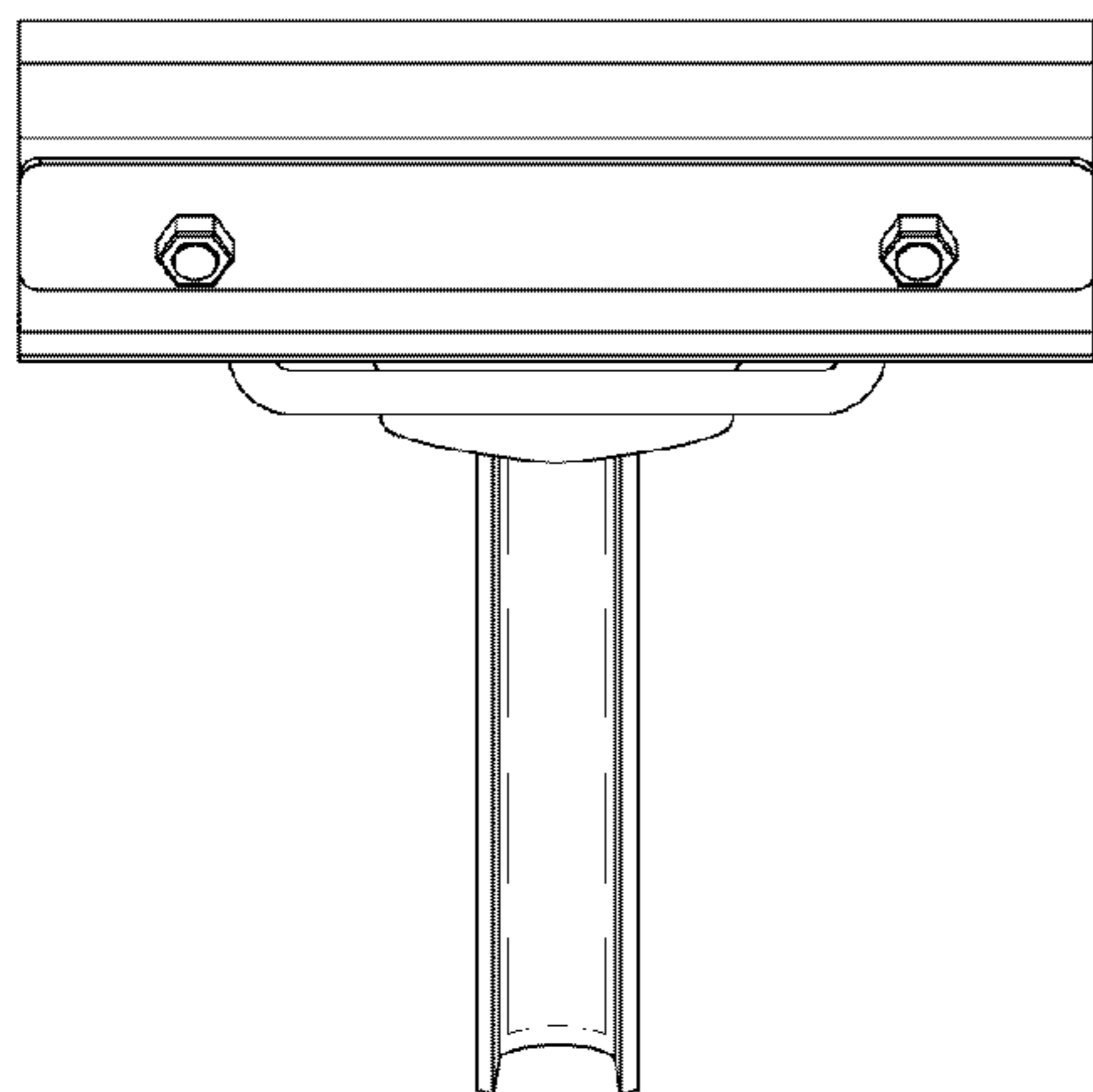


FIG. 4

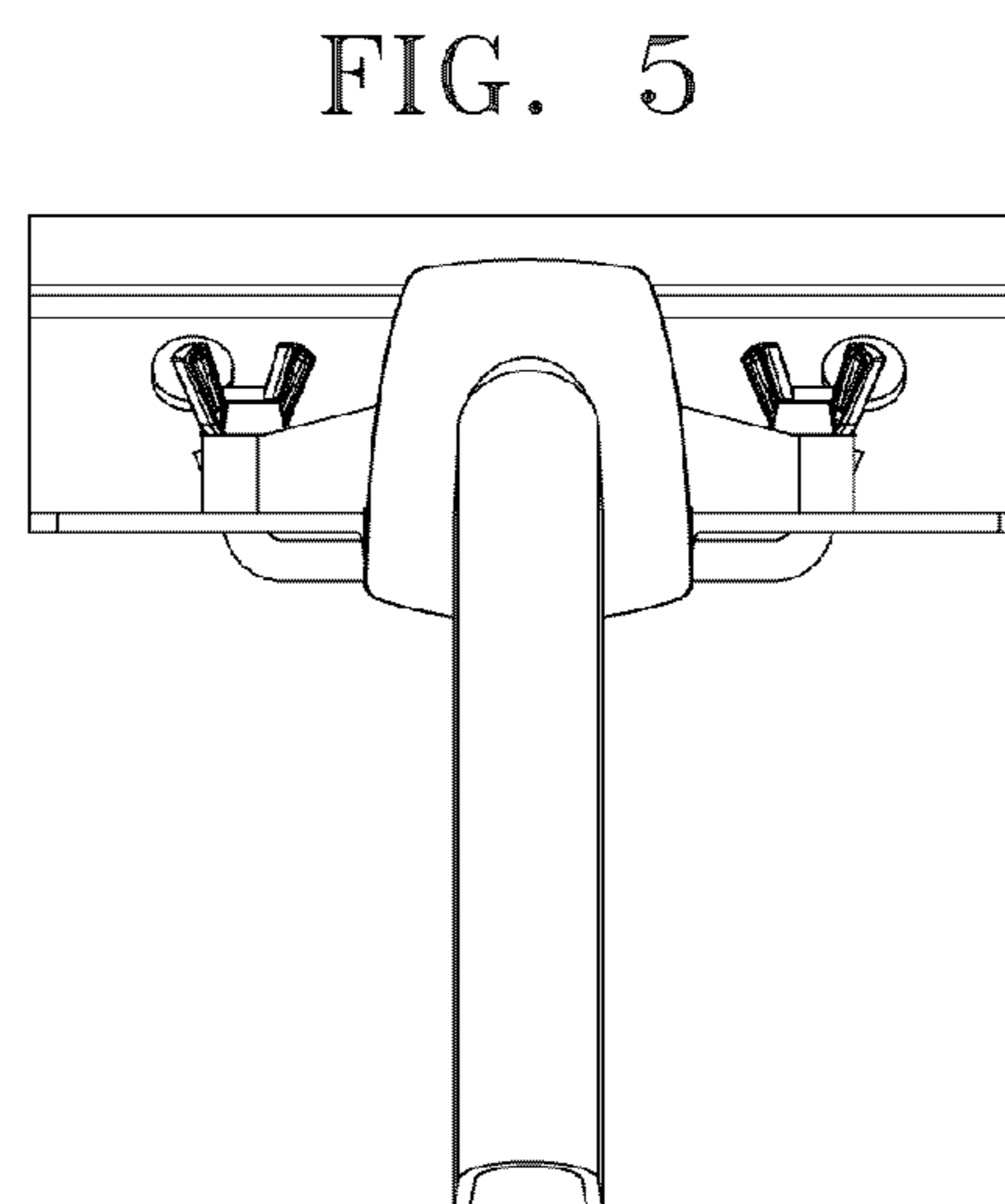


FIG. 5

