



US00D758682S

(12) **United States Design Patent**
Kim et al.

(10) **Patent No.:** **US D758,682 S**
(45) **Date of Patent:** **** Jun. 7, 2016**

(54) **DOOR COVER FOR WASHING MACHINE**

(71) Applicant: **Samsung Electronics Co., Ltd.**,
Suwon-si (KR)

(72) Inventors: **Kang-Doo Kim**, Seoul (KR);
Dong-Won Chun, Seoul (KR)

(73) Assignee: **SAMSUNG ELECTRONICS CO., LTD.** (KR)

(**) Term: **14 Years**

(21) Appl. No.: **29/518,910**

(22) Filed: **Feb. 27, 2015**

(30) **Foreign Application Priority Data**

Sep. 1, 2014 (KR) 30-2014-0042584

(51) **LOC (10) Cl.** **15-05**

(52) **U.S. Cl.**
USPC **D32/25**

(58) **Field of Classification Search**
USPC D32/1-6, 9, 10, 25, 28; 34/130-132,
34/523-524; 68/212, 3 R, 5 R, 12.01,
68/12.07-12.08
CPC D06F 39/14; D06F 37/28; D06F 33/02
See application file for complete search history.

(56) **References Cited**

U.S. PATENT DOCUMENTS

D542,987 S * 5/2007 Crookshanks D32/6
D544,157 S * 6/2007 Crookshanks D32/25
D577,161 S * 9/2008 Jeon D32/6
D616,163 S * 5/2010 Nam D32/25
D617,512 S * 6/2010 DeSalvo D32/25
D640,023 S * 6/2011 Bixby D32/25
D700,409 S * 2/2014 Takahashi D32/25
8,782,923 B2 * 7/2014 Jergens D06F 58/04
34/499

D730,602 S * 5/2015 Choi D32/25
D732,768 S * 6/2015 Choi D32/25
2014/0001934 A1 * 1/2014 Batur D06F 39/14
312/228
2015/0128439 A1 * 5/2015 Vir D06F 58/28
34/85

* cited by examiner

Primary Examiner — Rosemary K Tarcza

Assistant Examiner — Yolanda Robinson

(74) *Attorney, Agent, or Firm* — Cantor Colburn LLP

(57) **CLAIM**

The ornamental design for a door cover for washing machine,
as shown and described.

DESCRIPTION

FIG. 1 is a perspective view of a door cover for washing machine, showing our new design;
FIG. 2 is a front view thereof;
FIG. 3 is a rear view thereof;
FIG. 4 is a side view thereof;
FIG. 5 is a another side view thereof;
FIG. 6 is a top view thereof;
FIG. 7 is a bottom view thereof;
FIG. 8 is a cross-sectional view thereof, taken along the line 8-8 in FIG. 2;
FIG. 9 is an enlarged view of the portion 9 shown in FIG. 8;
FIG. 10 is an enlarged view of the portion 10 as shown in FIG. 8; and,
FIG. 11 is a perspective view thereof, as shown in an environment of use.
The broken lines are for environmental purpose only and form no part of the claimed design.
The dot-dash broken lines encircling enlargement portions of the design forms no part of the claimed design.

1 Claim, 9 Drawing Sheets

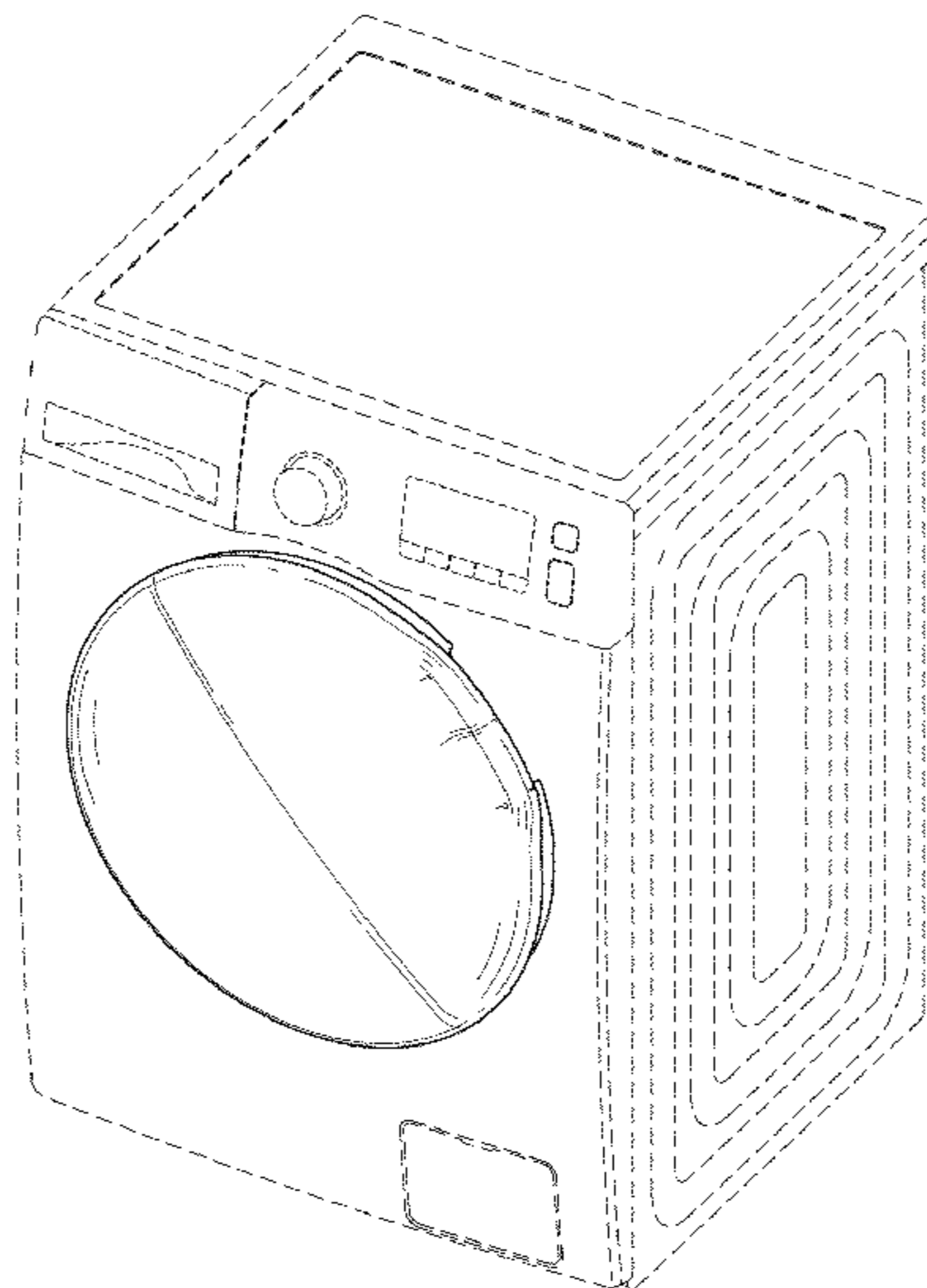


FIG. 1

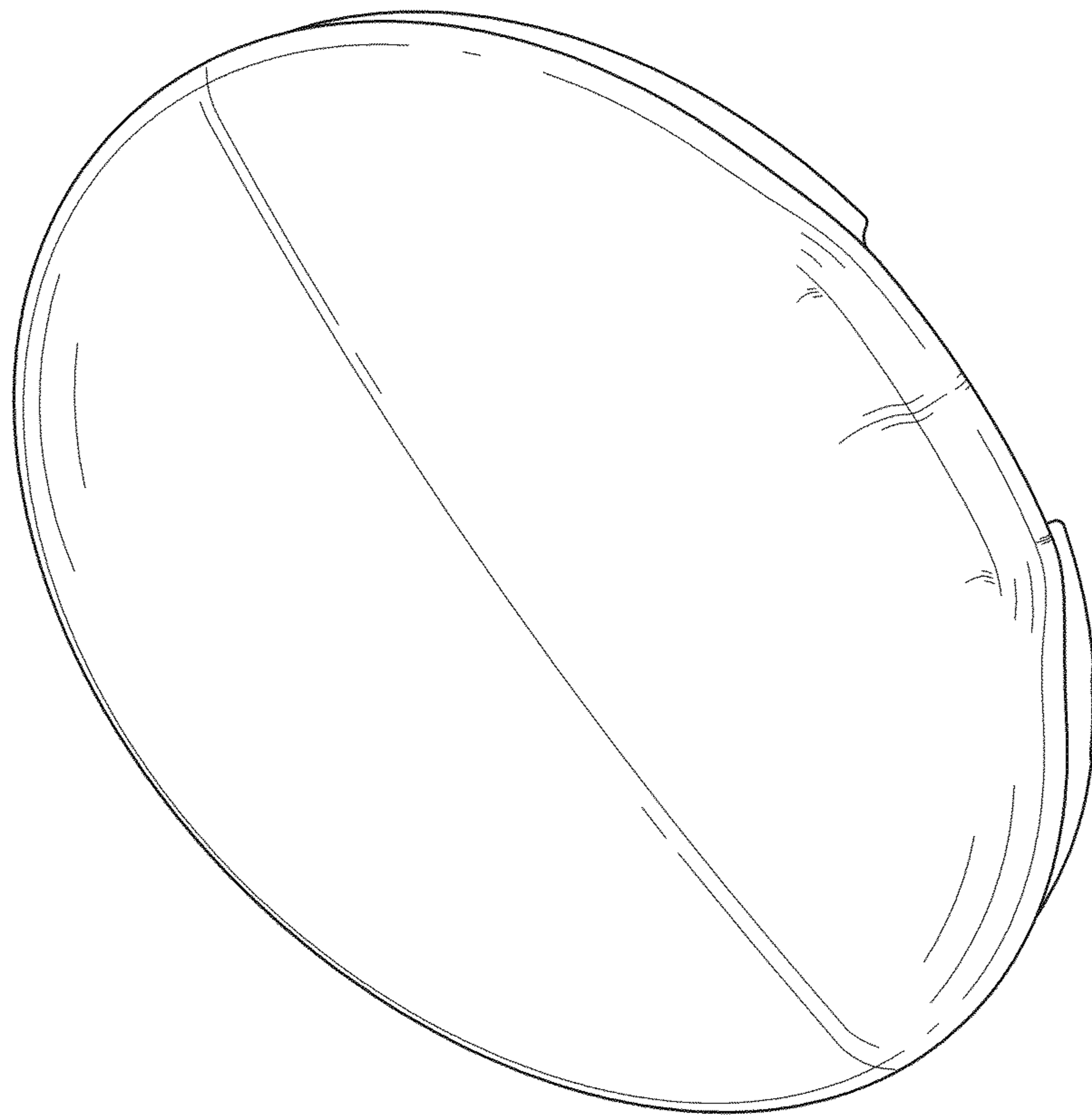


FIG. 2

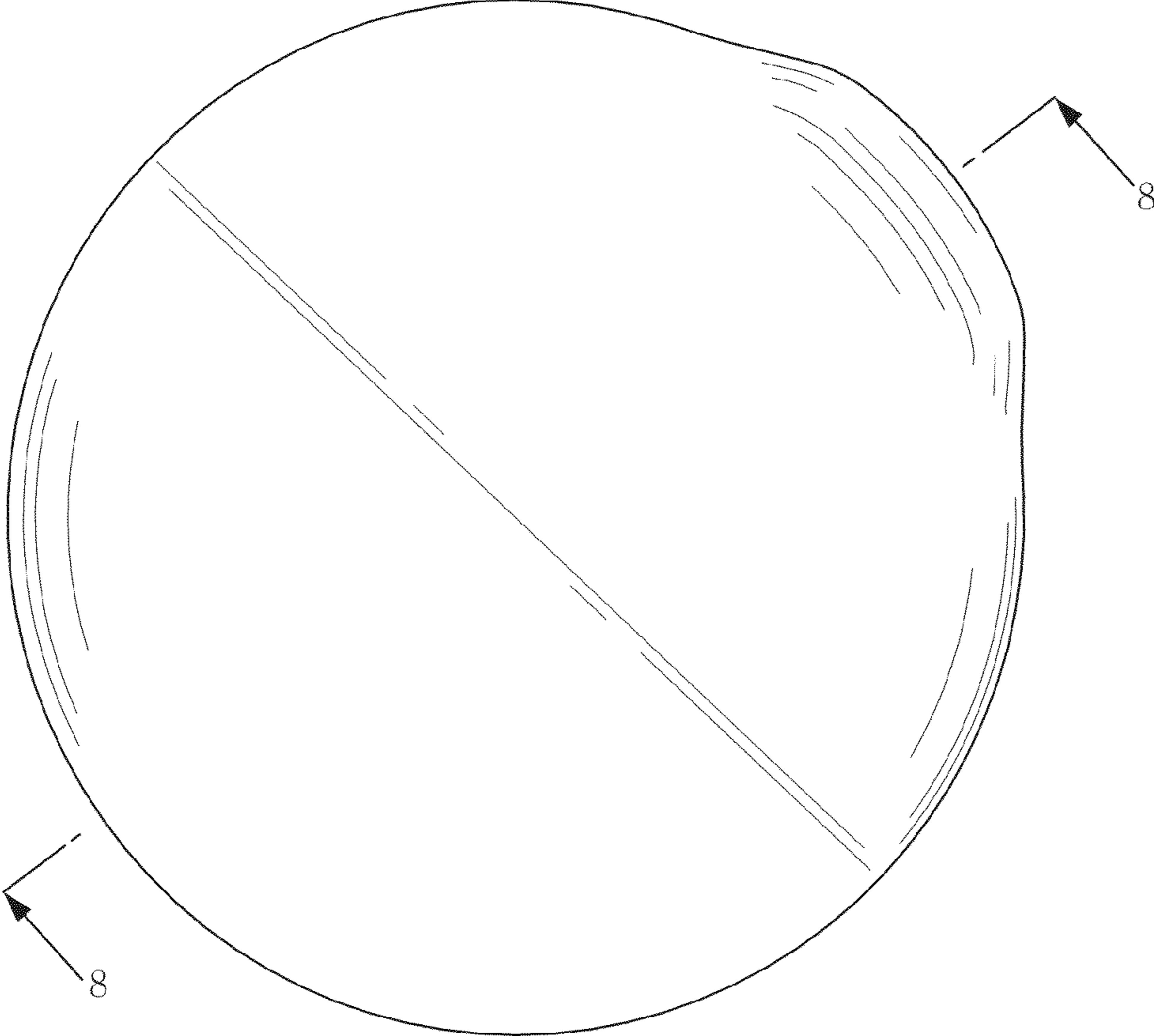


FIG. 3

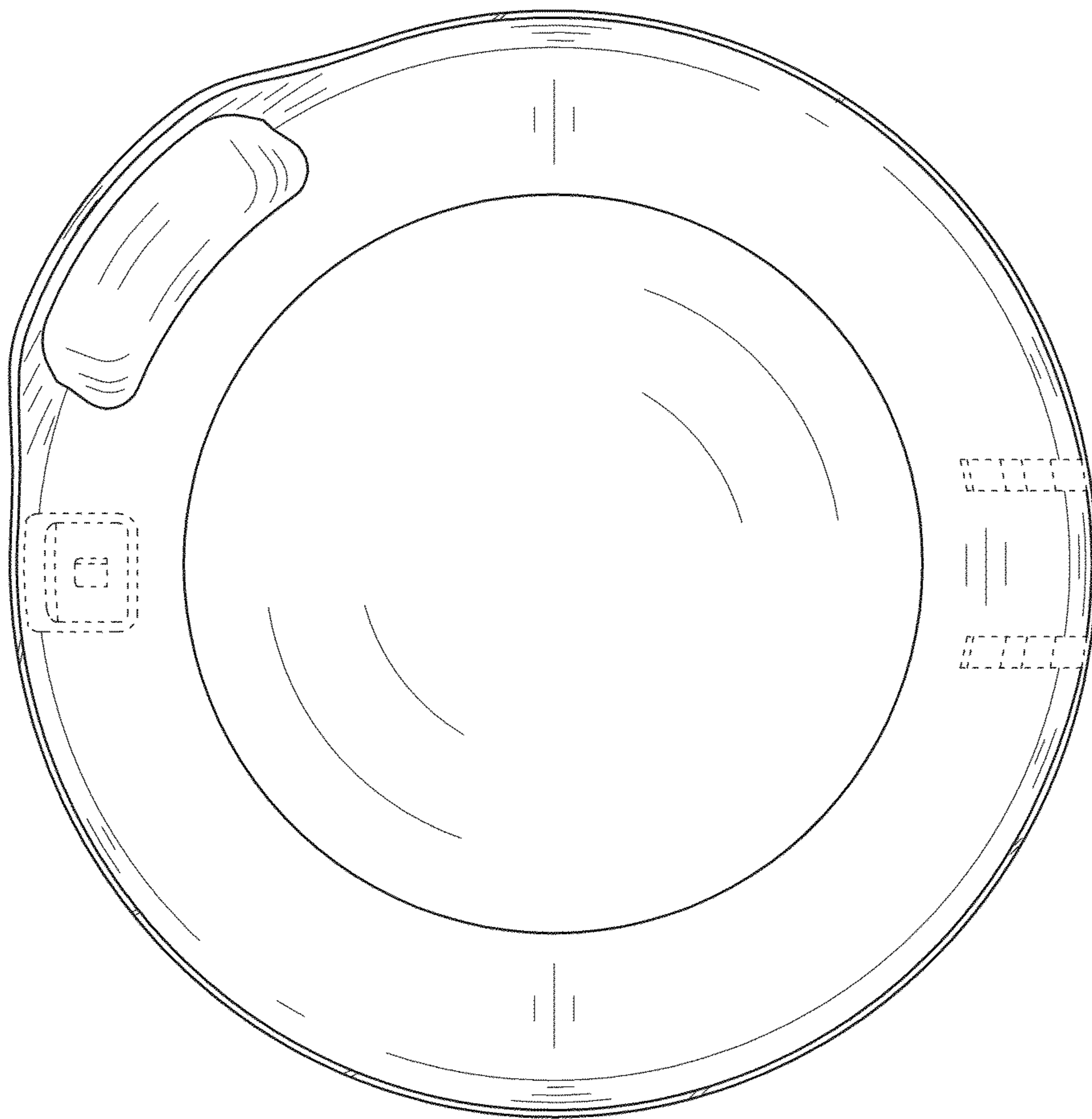


FIG. 4



FIG. 5

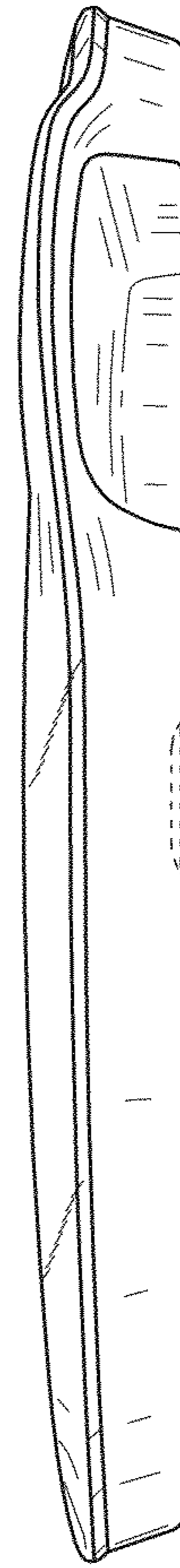


FIG. 6

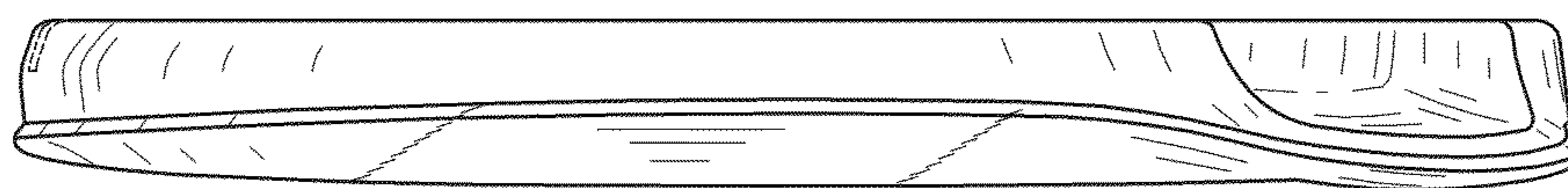


FIG. 7



FIG. 8

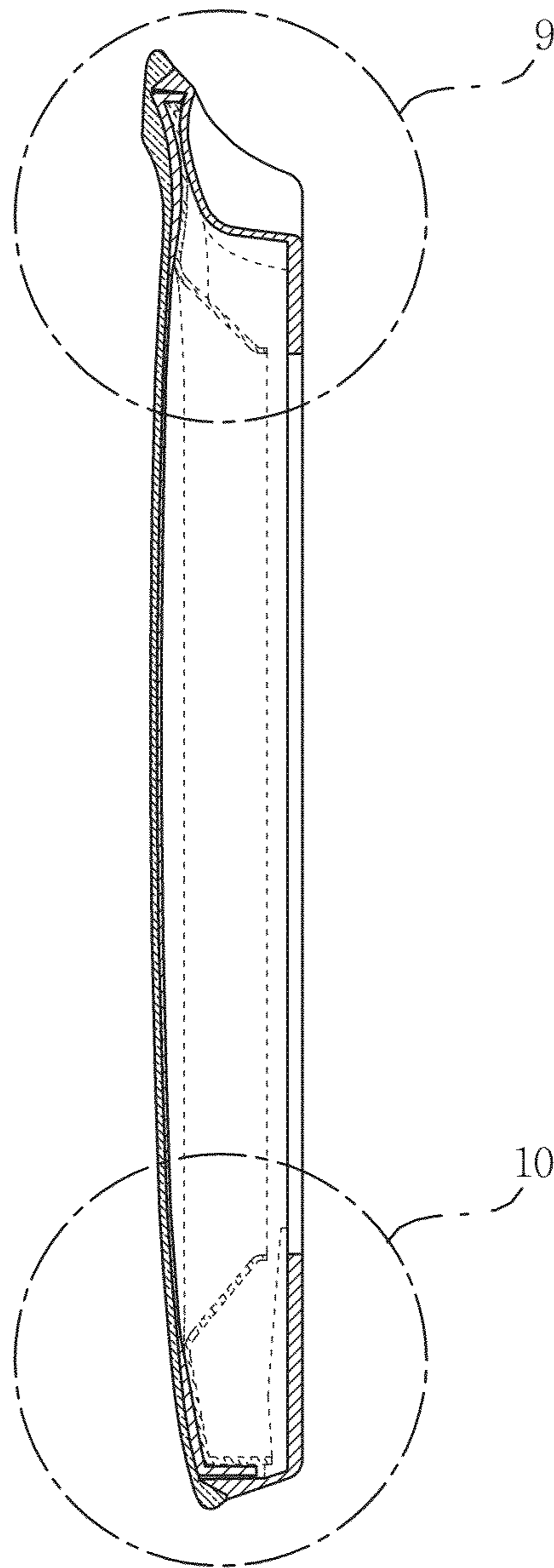


FIG. 9

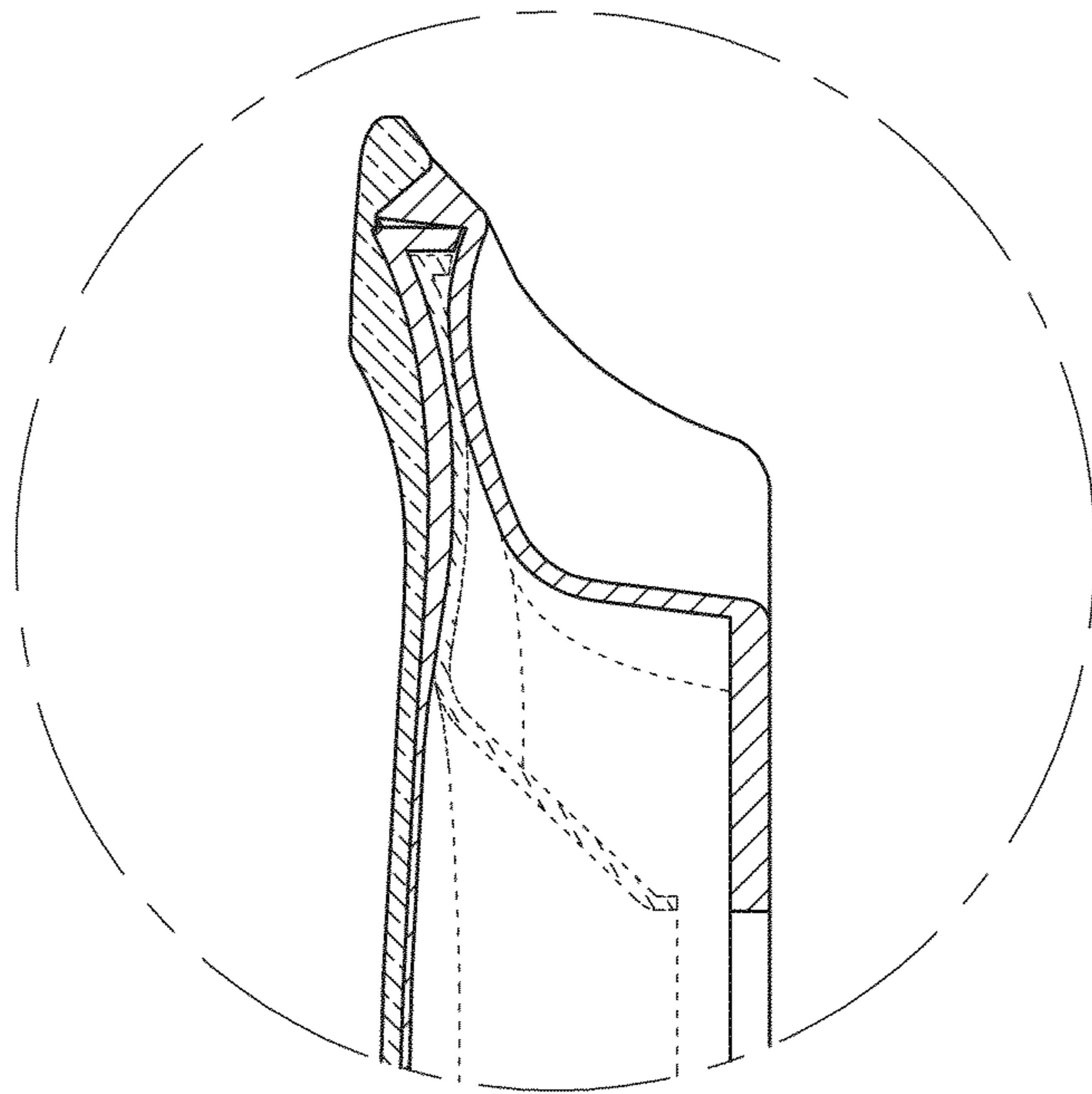


FIG. 10

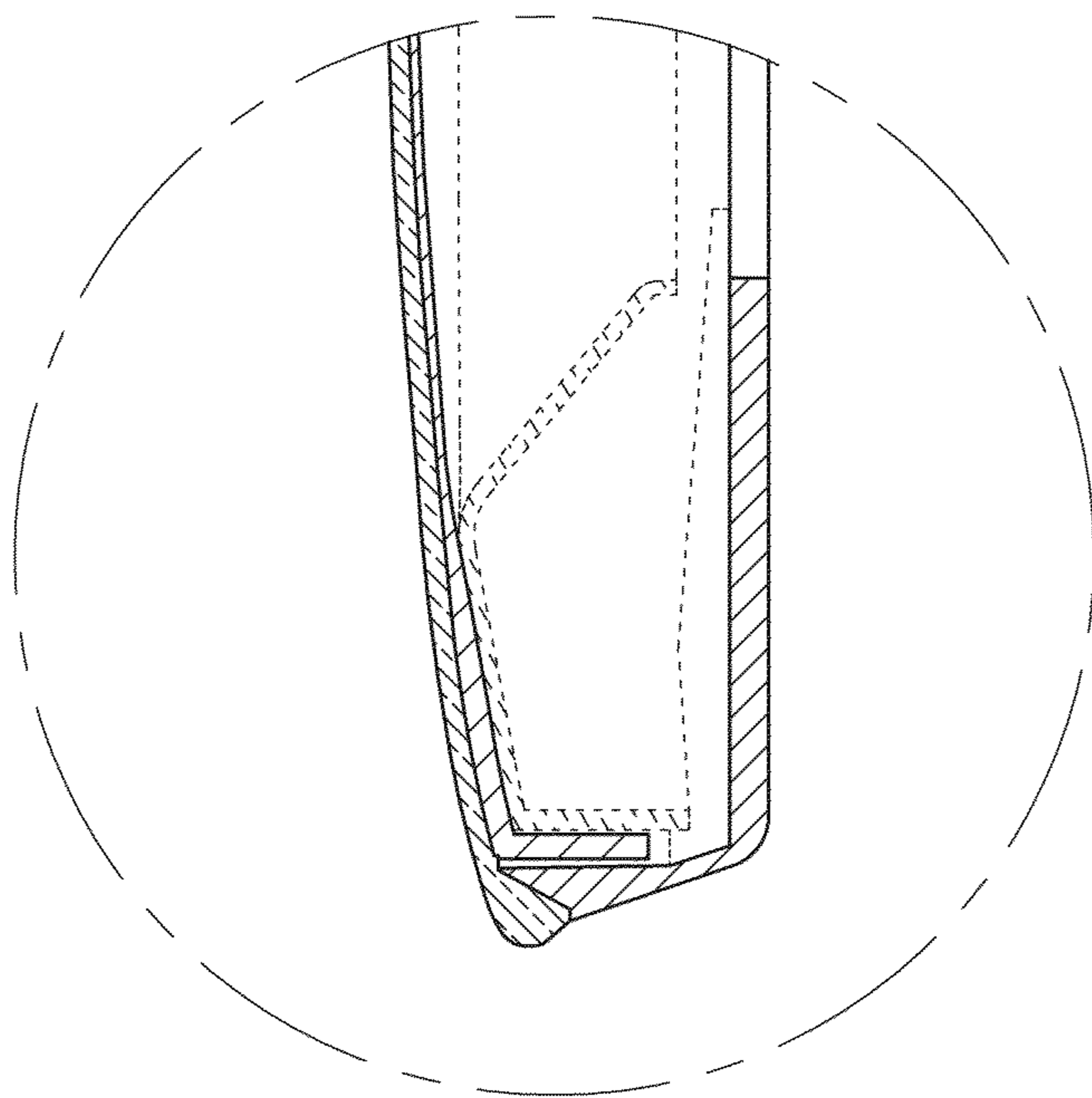


FIG. 11

